



US00D701406S

(12) **United States Design Patent**
Leyden

(10) **Patent No.:** **US D701,406 S**
(45) **Date of Patent:** **** Mar. 25, 2014**

(54) **DISPLAY STAND FOR A PORTABLE ARTICLE**

(71) Applicant: **Se-Kure Controls, Inc.**, Franklin Park, IL (US)

(72) Inventor: **Roger Leyden**, Inverness, IL (US)

(73) Assignee: **Se-Kure Controls, Inc.**, Franklin Park, IL (US)

(**) Term: **14 Years**

(21) Appl. No.: **29/466,860**

(22) Filed: **Sep. 12, 2013**

(51) **LOC (10) Cl.** **06-06**

(52) **U.S. Cl.**
USPC **D6/678**

(58) **Field of Classification Search**
USPC D6/396-397, 431, 449, 466, 468, 470, D6/477-479, 574, 672, 678; 211/134, 187, 211/193, 85.2, 85.29, 49.1, 50, 42-43, 207; D14/126-129; 108/91-93, 107, 108/149-151
See application file for complete search history.

(56) **References Cited**

U.S. PATENT DOCUMENTS

D273,165 S *	3/1984	Sternberg	D6/495
D422,556 S *	4/2000	Okura et al.	D13/107
D517,534 S *	3/2006	Ogura et al.	D14/225
D522,307 S *	6/2006	Mariani et al.	D7/355
D570,245 S *	6/2008	McAbee	D11/164

D580,855 S *	11/2008	Haspil et al.	D13/108
D623,188 S *	9/2010	Son et al.	D14/434
D634,304 S *	3/2011	Andre et al.	D14/217
D642,121 S *	7/2011	Lee et al.	D13/108
D647,525 S *	10/2011	Seto	D14/434
D648,325 S *	11/2011	Akana et al.	D14/217
D661,309 S *	6/2012	Murrer et al.	D14/447
D666,025 S *	8/2012	Cobbett et al.	D6/466
D677,669 S *	3/2013	Liu	D14/447
D679,209 S *	4/2013	Reynolds et al.	
D690,140 S *	9/2013	Baylar	D6/675

* cited by examiner

Primary Examiner — Kelley Donnelly

(74) *Attorney, Agent, or Firm* — Wood, Phillips, Katz, Clark & Mortimer

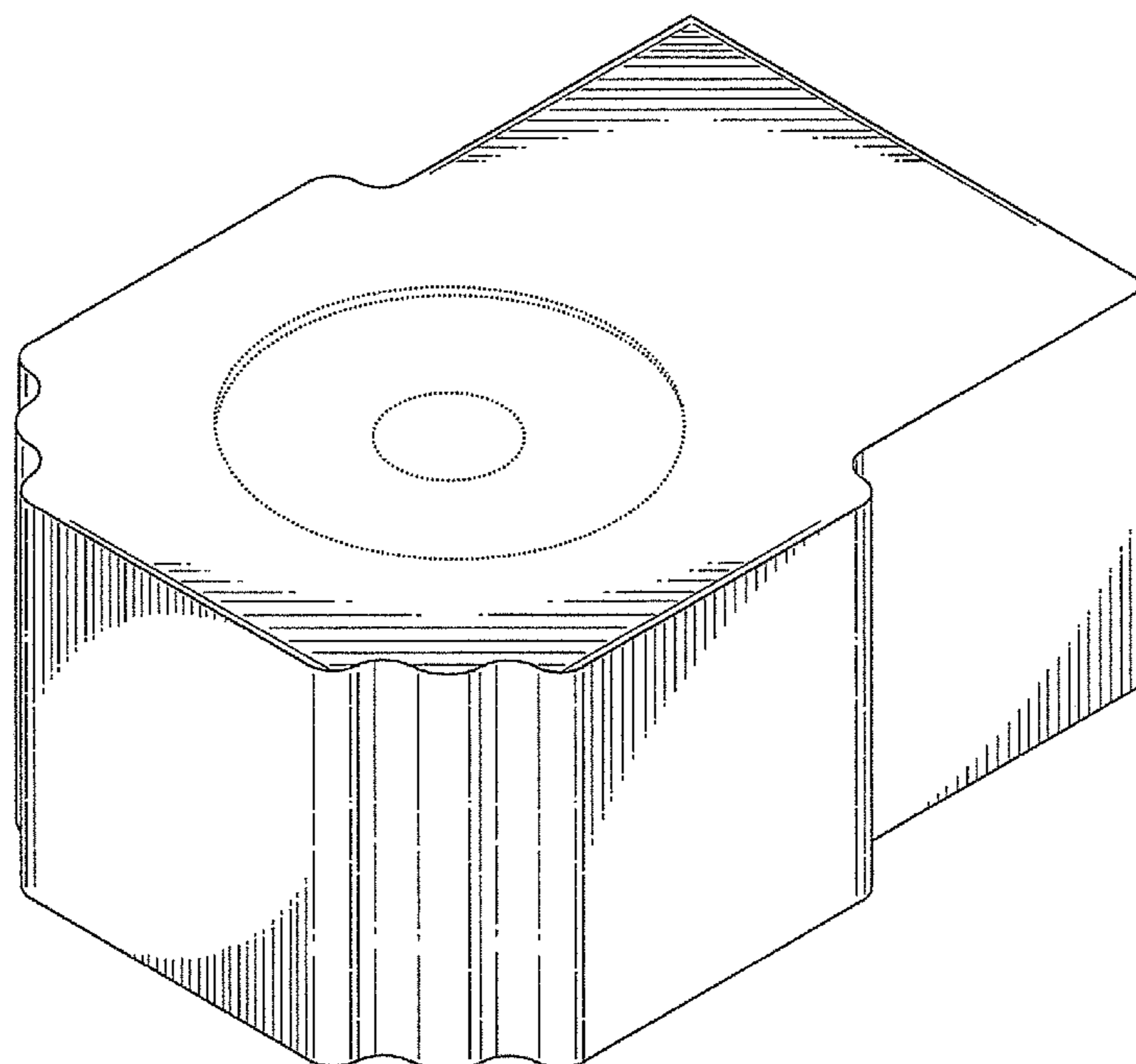
(57) **CLAIM**

The ornamental design for a display stand for a portable article, substantially as shown and described.

DESCRIPTION

FIG. 1 is a front, side, and top perspective view showing my new design;
FIG. 2 is a plan view thereof;
FIG. 3 is a bottom view thereof;
FIG. 4 is an elevation view thereof from the same side as in FIG. 1;
FIG. 5 is an elevation view thereof from the side opposite that in FIG. 4;
FIG. 6 is a front elevation view thereof; and,
FIG. 7 is a rear elevation view thereof.
The portions of the display stand for a portable article shown in dotted lines do not constitute a part of the claimed design.

1 Claim, 4 Drawing Sheets



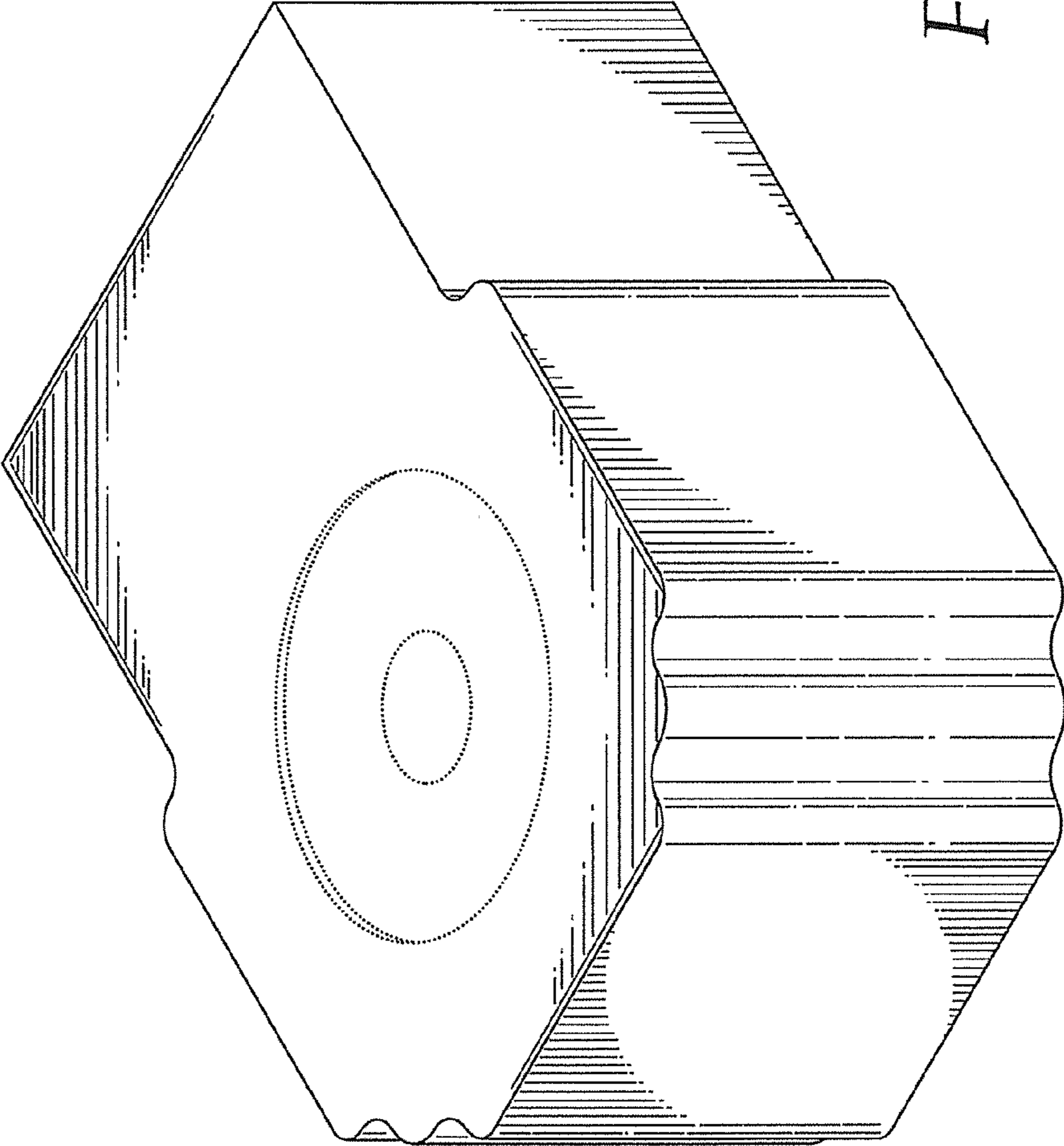


Fig. 1

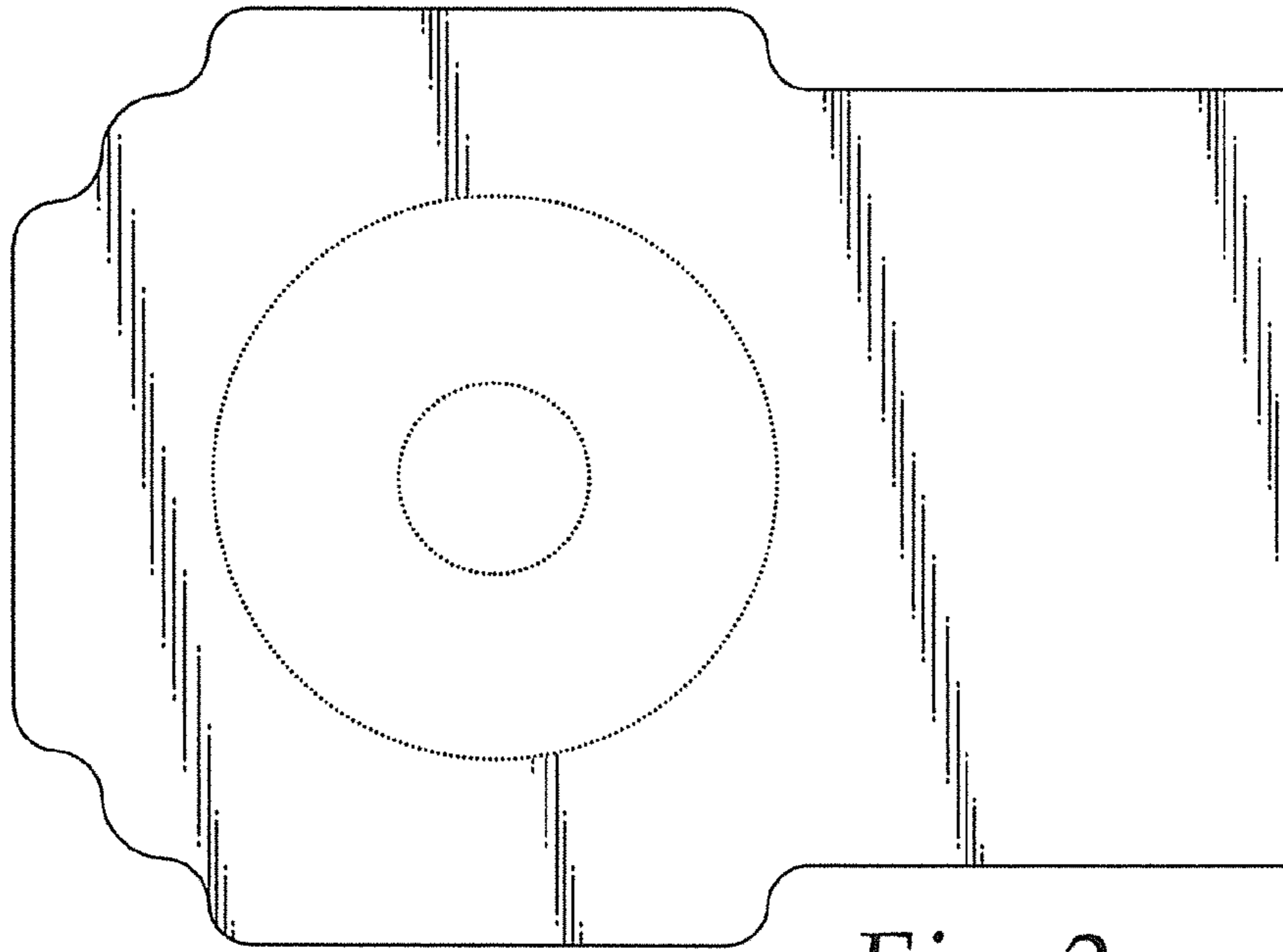


Fig. 2

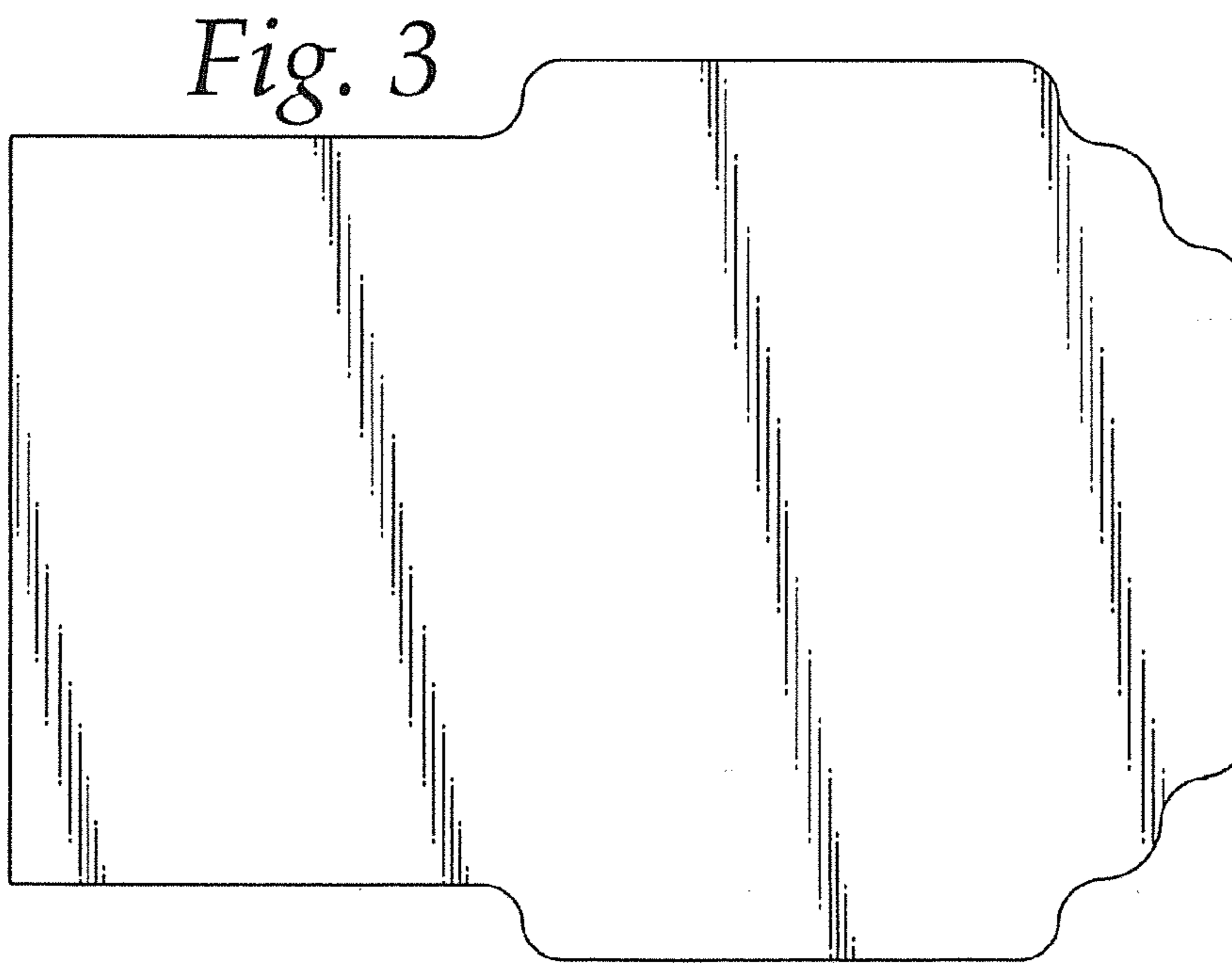


Fig. 3

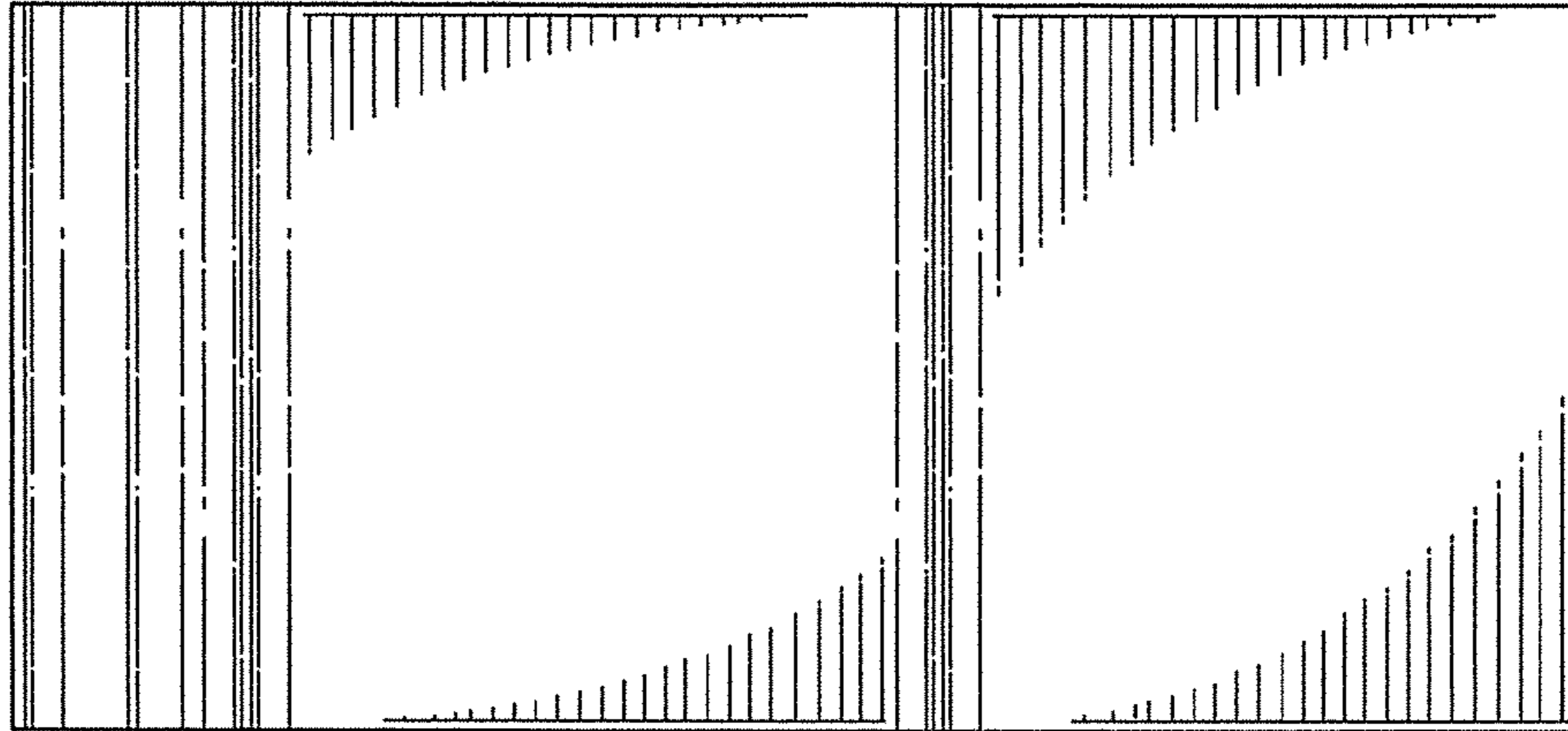


Fig. 4

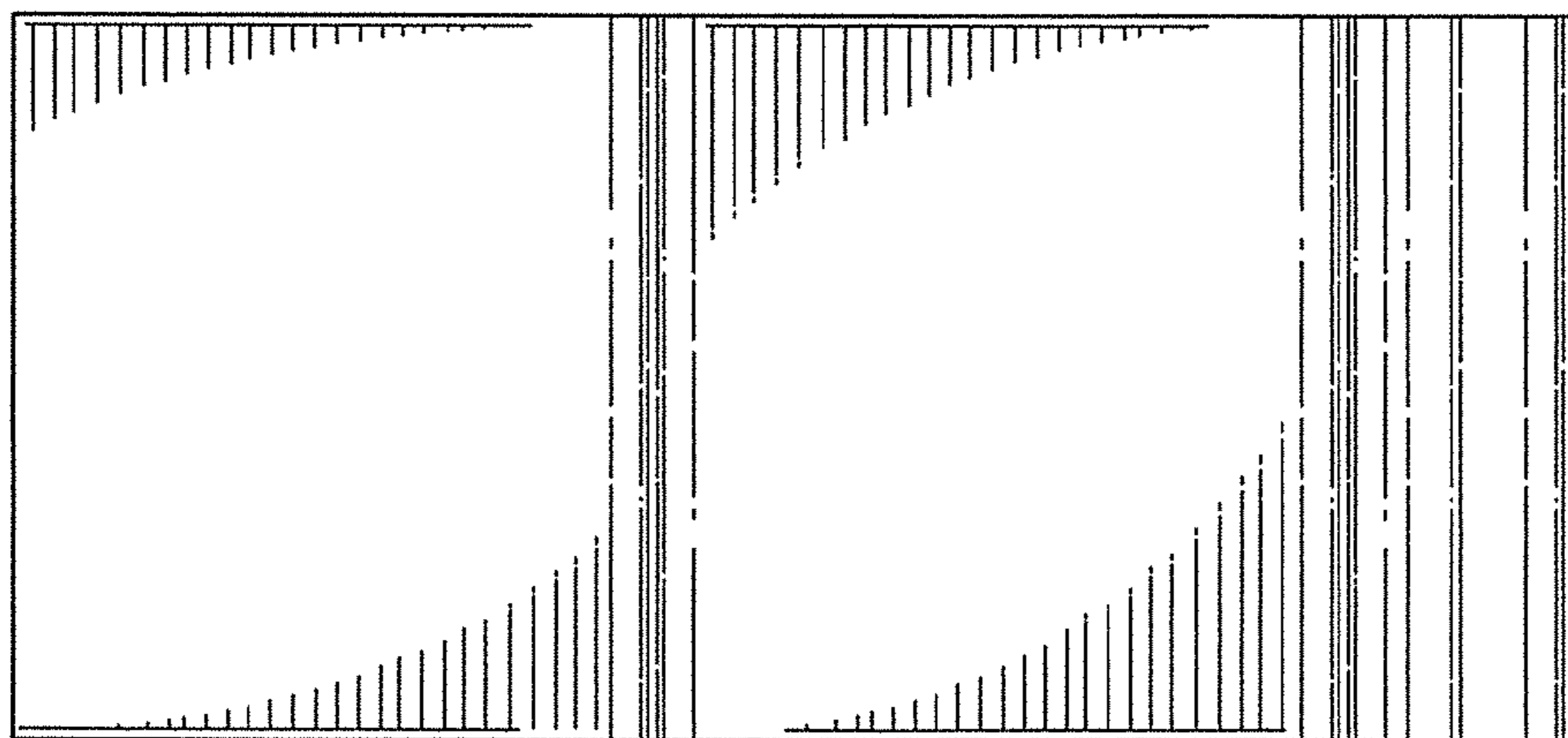


Fig. 5

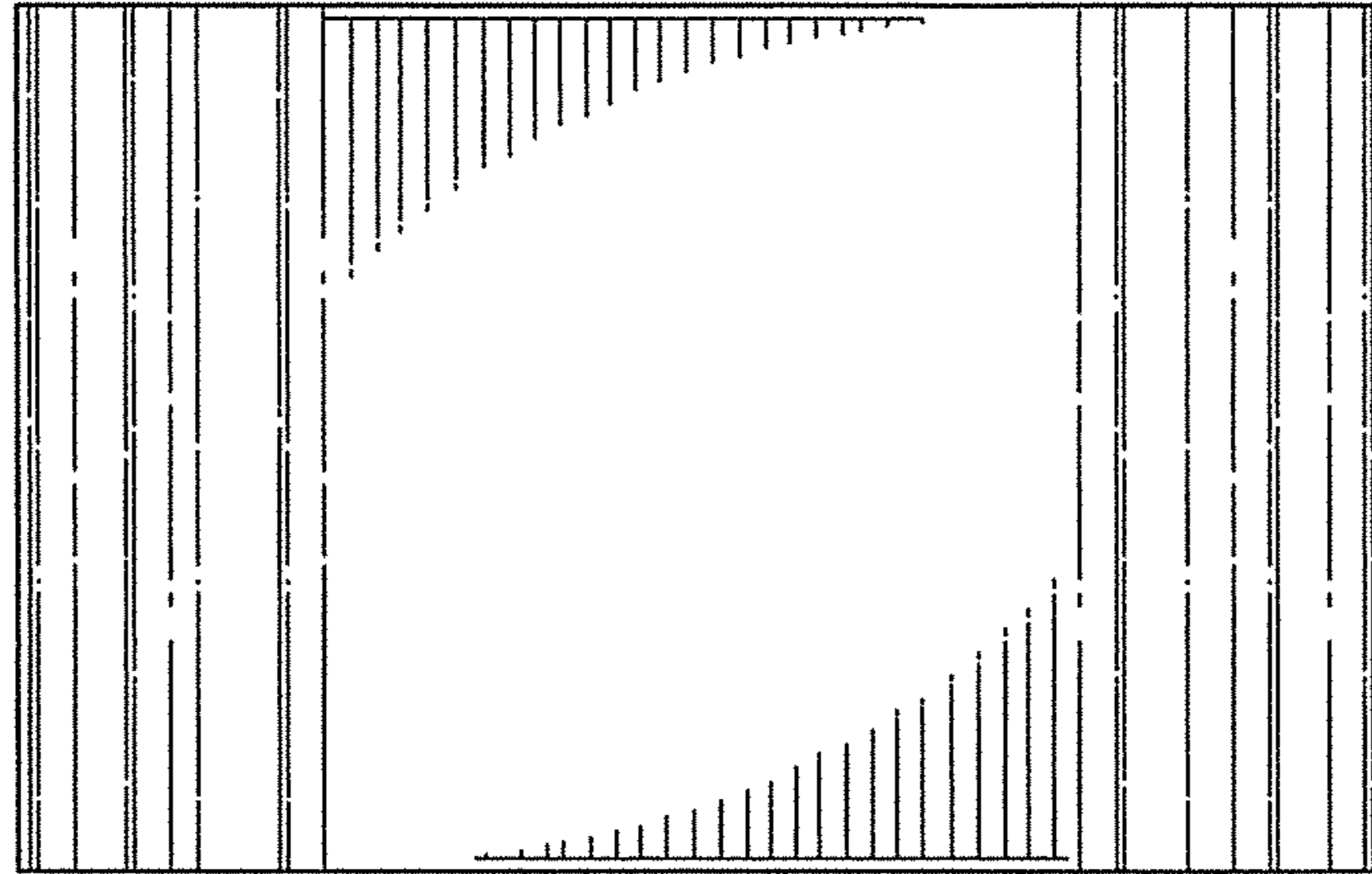


Fig. 6

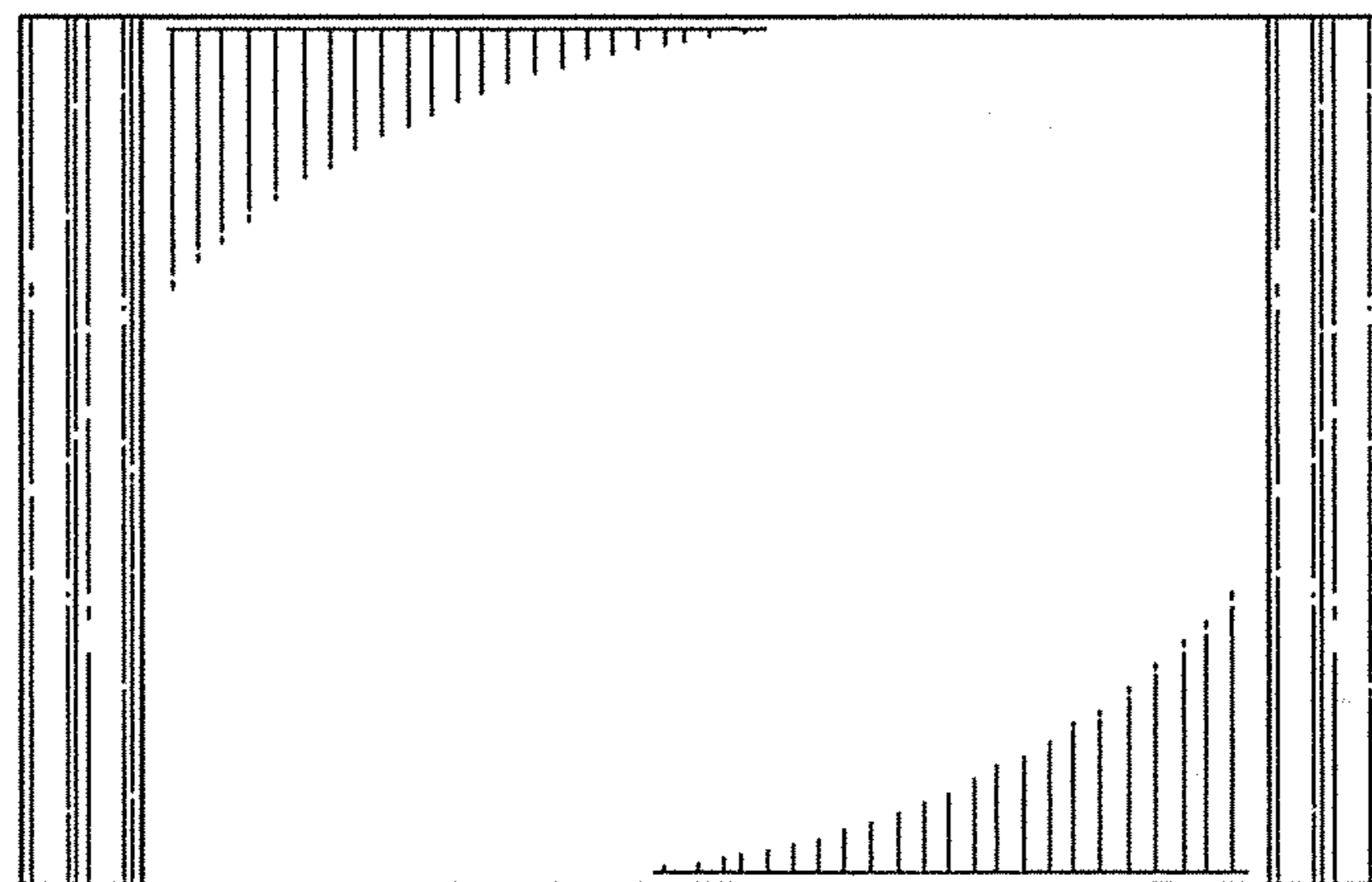


Fig. 7