



US00D701398S

(12) **United States Design Patent**
Fairchild

(10) **Patent No.:** **US D701,398 S**
(45) **Date of Patent:** **** Mar. 25, 2014**

(54) **DRAPERY TRACK**

(71) Applicant: **Todd W. Fairchild**, Camarillo, CA (US)

(72) Inventor: **Todd W. Fairchild**, Camarillo, CA (US)

(73) Assignees: **Simple Shade, LLC**, Camarillo, CA (US); **Best Union Co. Ltd.**, Guangzhou (CN)

(**) Term: **14 Years**

(21) Appl. No.: **29/435,552**

(22) Filed: **Oct. 25, 2012**

(51) **LOC (10) Cl.** **06-10**

(52) **U.S. Cl.**
USPC **D6/580**

(58) **Field of Classification Search**
USPC D6/575, 577, 579, 580; D8/349, 368, D8/369, 376, 382; 160/84.01-84.08, 107, 160/108, 111, 113, 130, 133, 176.1 P, 237, 160/330, DIG. 6, 902; 248/252, 266, 271
See application file for complete search history.

(56) **References Cited**

U.S. PATENT DOCUMENTS

3,151,666	A *	10/1964	Ford	160/346
D218,513	S *	8/1970	Toder	D8/360
4,023,609	A *	5/1977	Rosenquist	160/343
D251,451	S *	3/1979	Toder	D25/121
D325,681	S *	4/1992	Gartenmaier	D6/580

D365,955	S *	1/1996	Fimbres	D6/579
D380,329	S *	7/1997	Chou	D6/579
D419,858	S *	2/2000	Bosgoed	D8/377
D488,055	S *	4/2004	Ter Braak	D8/377
D593,722	S *	6/2009	Hailston	D34/27
8,025,089	B2 *	9/2011	Chelednik et al.	160/170
D662,403	S *	6/2012	Page	D8/377
2003/0121621	A1 *	7/2003	Killo et al.	160/330
2008/0017333	A1 *	1/2008	Chen	160/330
2008/0250608	A1 *	10/2008	Konecek-Hughes	16/96 D
2012/0000616	A1 *	1/2012	DeWees et al.	160/330

* cited by examiner

Primary Examiner — Karen S Acker

(74) *Attorney, Agent, or Firm* — Matthew J. Lattig; Charter IP, LLC

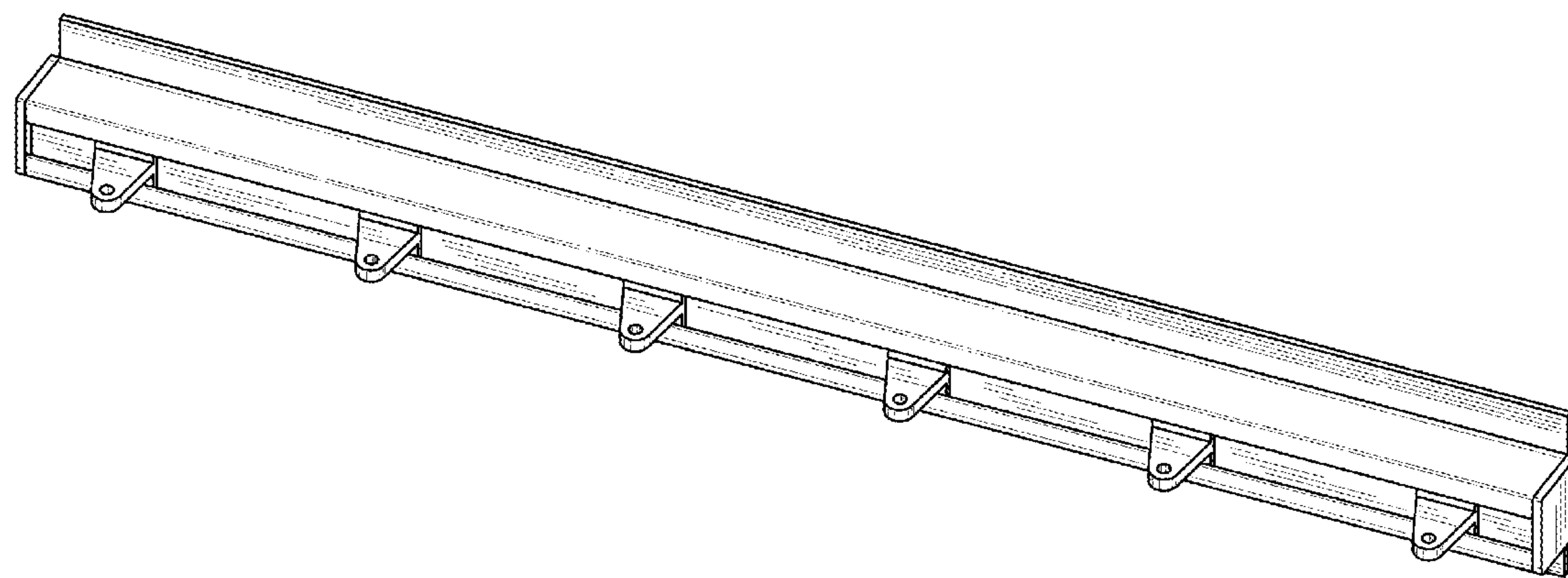
(57) **CLAIM**

The ornamental design for a drapery track, as shown and described.

DESCRIPTION

FIG. 1 is a perspective view of a drapery track showing my new design.
FIG. 2 is a front plan view thereof.
FIG. 3 is a top plan view thereof.
FIG. 4 is a rear plan view thereof.
FIG. 5 is a bottom plan view thereof.
FIG. 6 is a right side elevational view thereof; and,
FIG. 7 is a left side elevational view thereof.
Any broken lines which may be shown in the views are for illustrative purposes only, and form no part of the claimed invention.

1 Claim, 3 Drawing Sheets



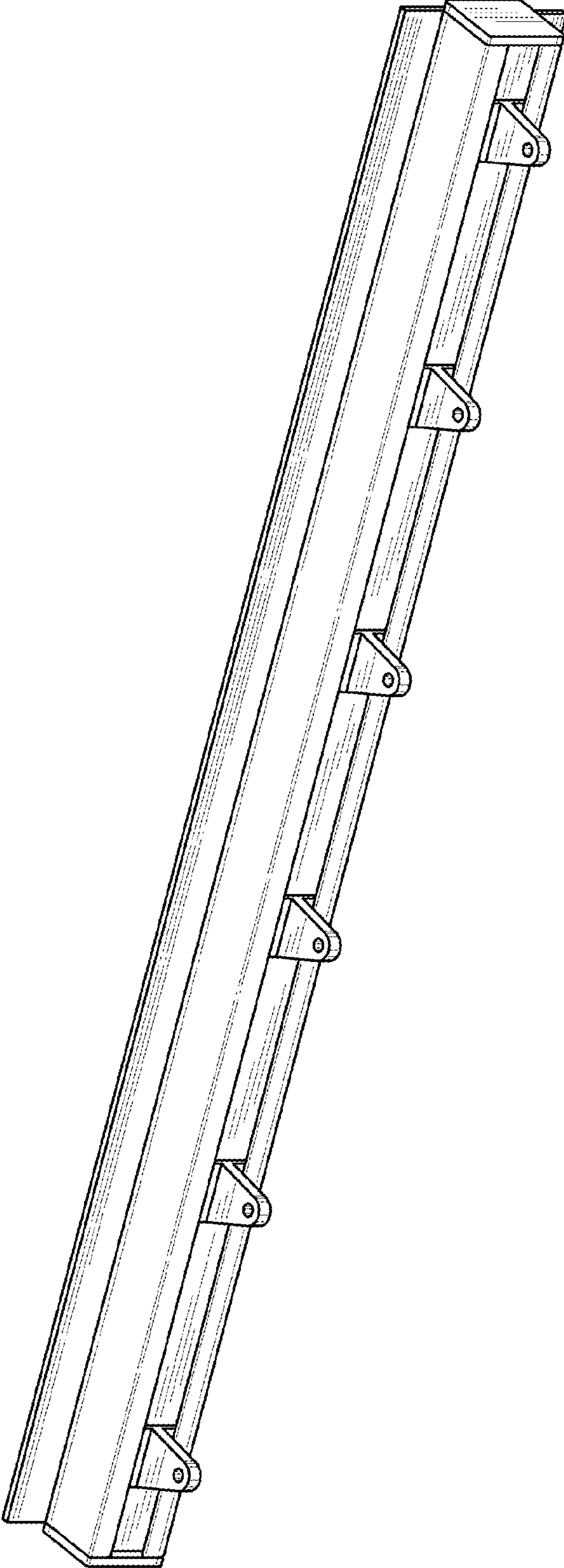


FIG. 1

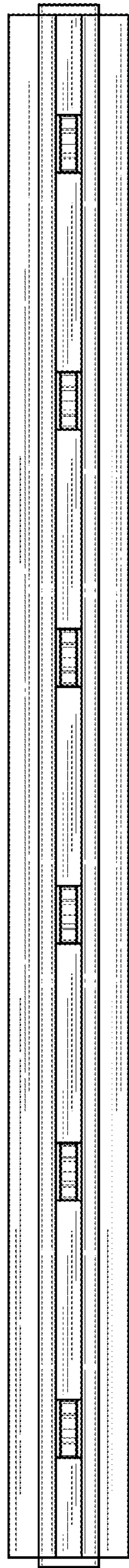


FIG. 2

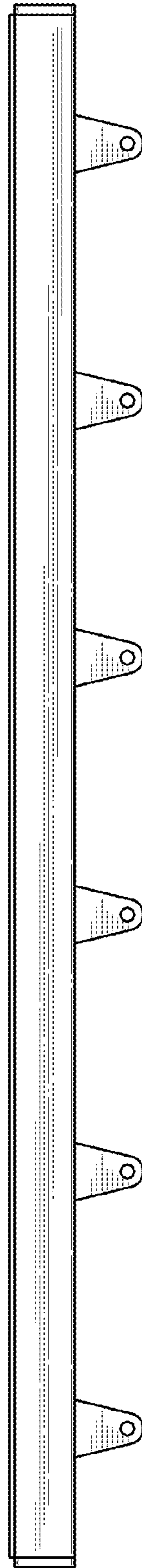


FIG. 3

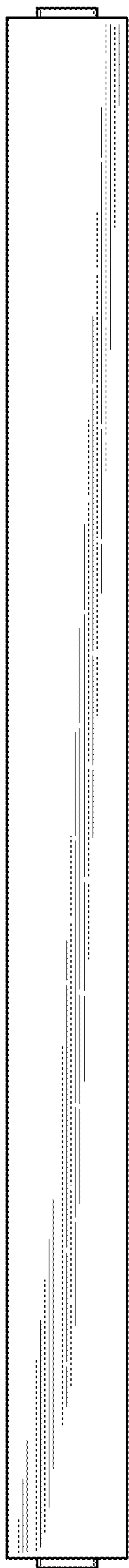


FIG. 4

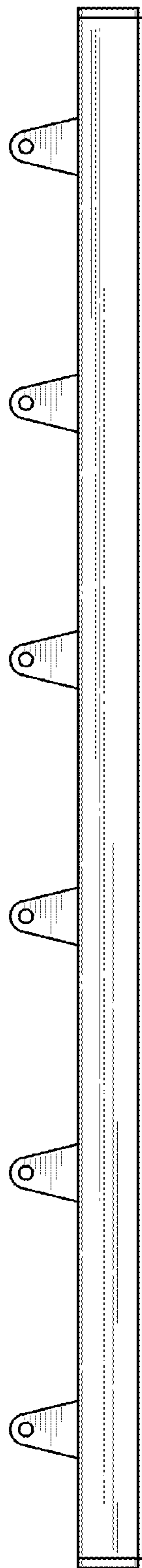


FIG. 5

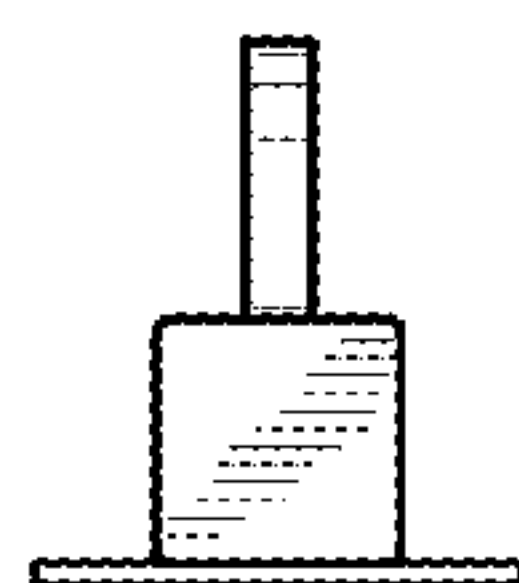


FIG. 6

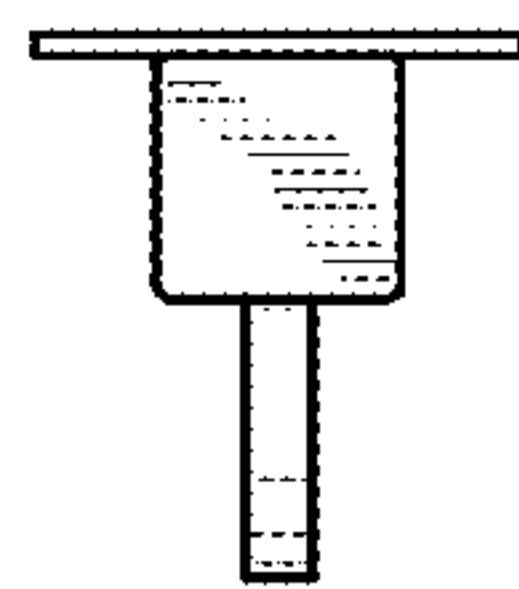


FIG. 7