



US00D701397S

(12) **United States Design Patent**
Snider

(10) **Patent No.:** **US D701,397 S**
(45) **Date of Patent:** **** Mar. 25, 2014**

- (54) **WALL MOUNTABLE BASKET**
- (71) Applicant: **MSA Products, Inc.**, Nyack, NY (US)
- (72) Inventor: **Martin Snider**, New City, NY (US)
- (73) Assignee: **MSA Products, Inc.**, Nyack, NY (US)
- (**) Term: **14 Years**
- (21) Appl. No.: **29/455,016**
- (22) Filed: **May 16, 2013**
- (51) **LOC (10) Cl.** **06-04**
- (52) **U.S. Cl.**
USPC **D6/566**
- (58) **Field of Classification Search**
USPC D6/524, 525, 566, 536-537, 540;
211/13.1, 74, 71.01, 86.01, 75, 88.01,
211/90.01, 90.03, 106, 119, 126.1, 133.5,
211/181.1, 134
See application file for complete search history.

D554,419 S *	11/2007	Thompson et al.	D6/566
D584,056 S *	1/2009	Ghiorghie	D6/566
D612,648 S *	3/2010	Guindi	D6/566
D650,209 S *	12/2011	Snider	D6/566

* cited by examiner

Primary Examiner — Brian N Vinson

(74) *Attorney, Agent, or Firm* — Gerald E. Hespos; Michael J. Porco; Matthew T. Hespos

(57) **CLAIM**

The ornamental design for a wall mountable basket, as shown and described.

DESCRIPTION

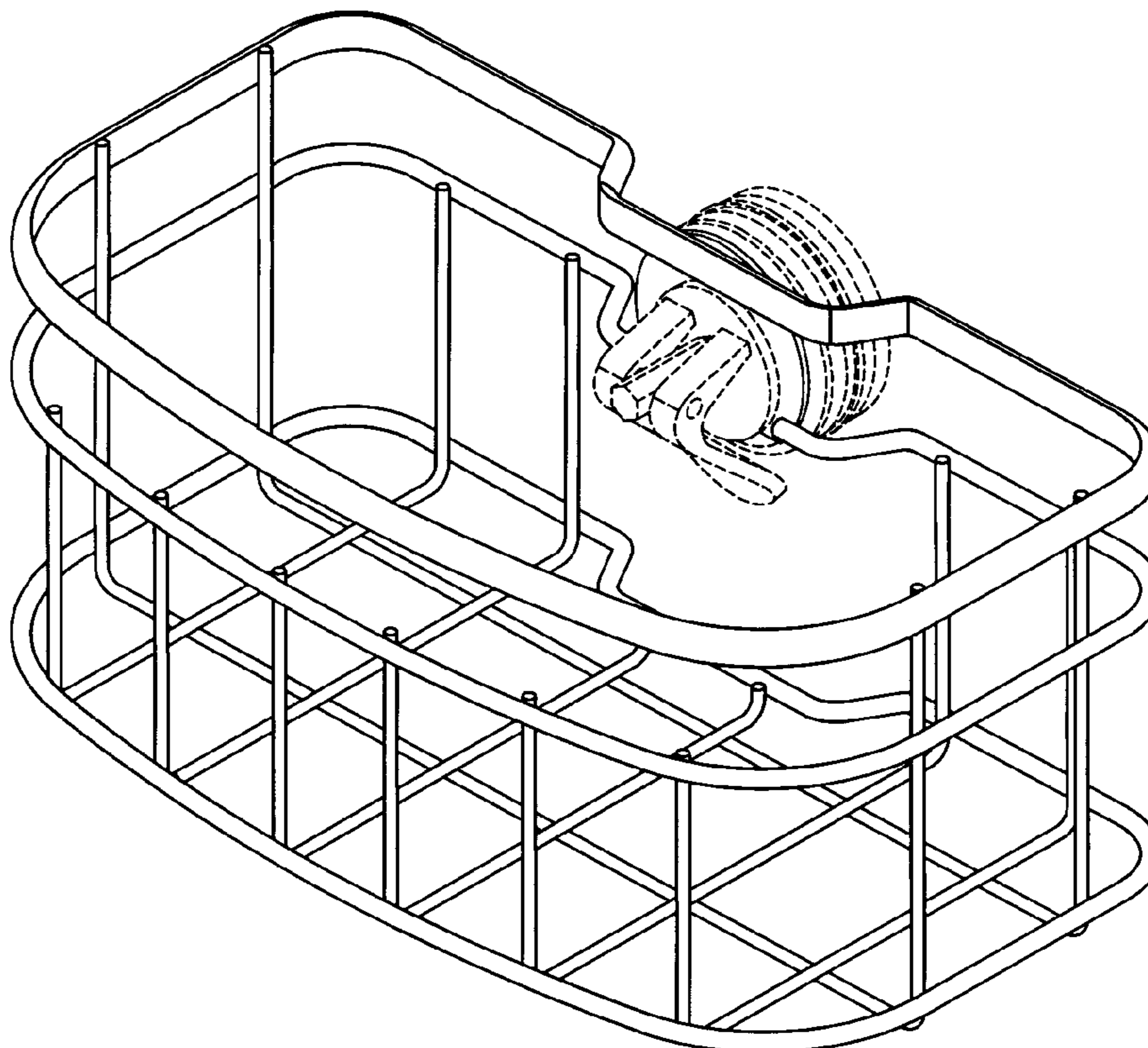
FIG. 1 is a top, front, and right side perspective view of a wall mountable basket showing my new design, the broken-line disclosure of a suction cup being for illustrative purposes only and forming no part of the claimed design;
 FIG. 2 is an additional top, front, and right side perspective view thereof;
 FIG. 3 is a top plan view thereof;
 FIG. 4 is a front elevational view thereof;
 FIG. 5 is a left side elevational view thereof, with the right side elevational view being a mirror image;
 FIG. 6 is a rear elevational view thereof; and,
 FIG. 7 is bottom plan view thereof.

1 Claim, 5 Drawing Sheets

(56) **References Cited**

U.S. PATENT DOCUMENTS

D449,480 S *	10/2001	Snell	D6/566
D450,213 S *	11/2001	Snell	D6/566
D508,167 S *	8/2005	Anderson et al.	D6/566
D554,417 S *	11/2007	Thorsteinsson et al.	D6/566



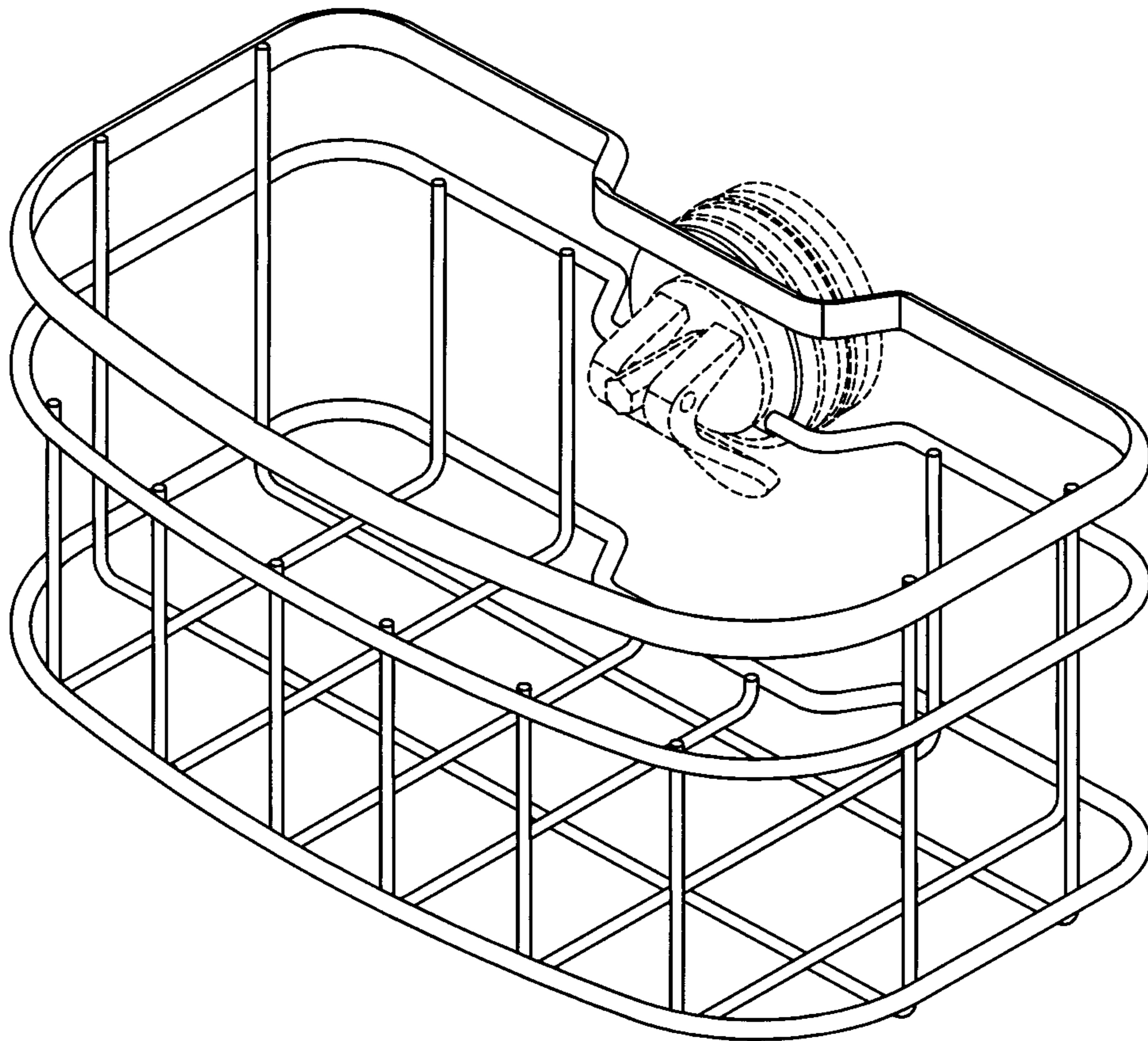


FIG. 1

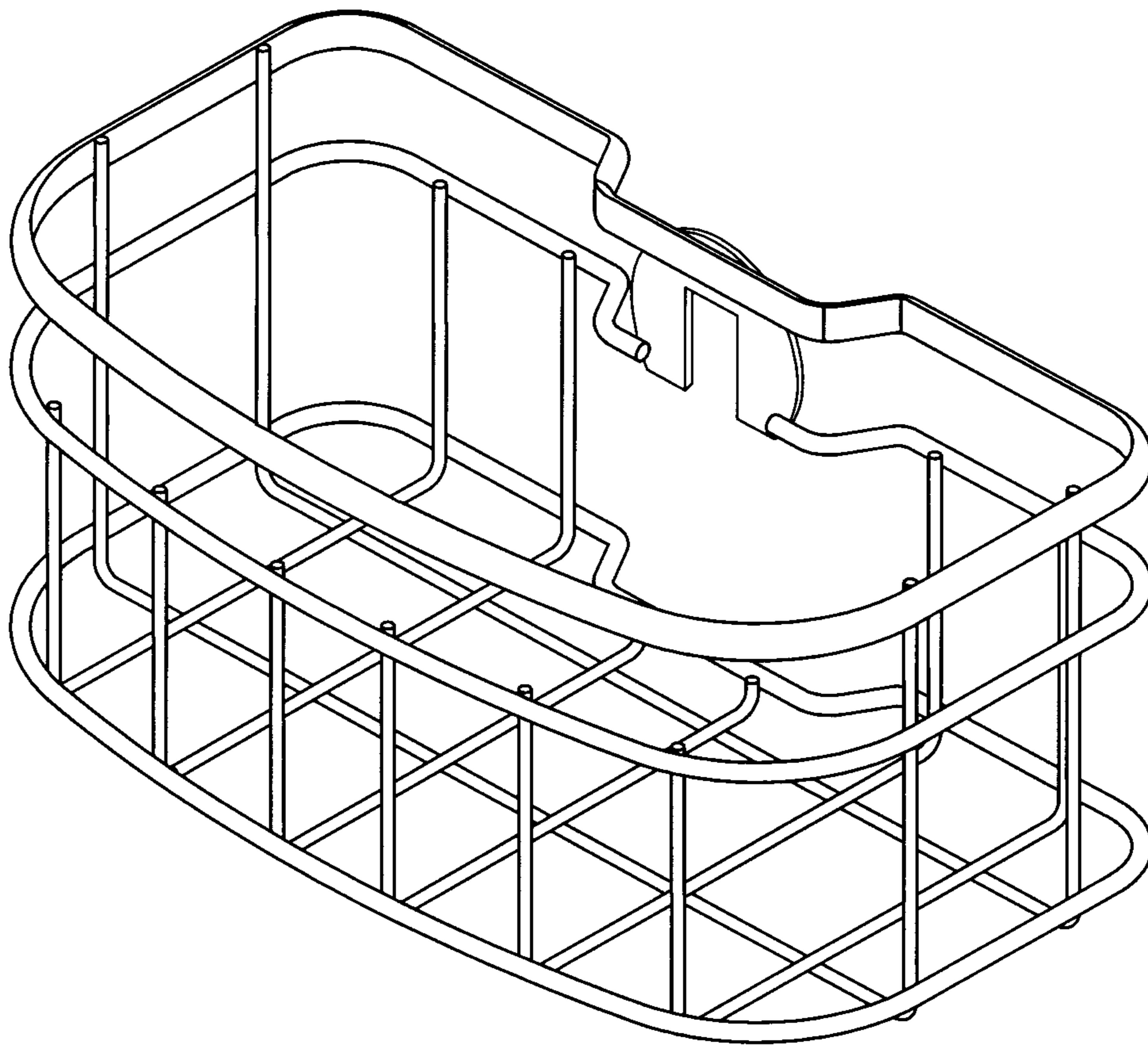


FIG.2

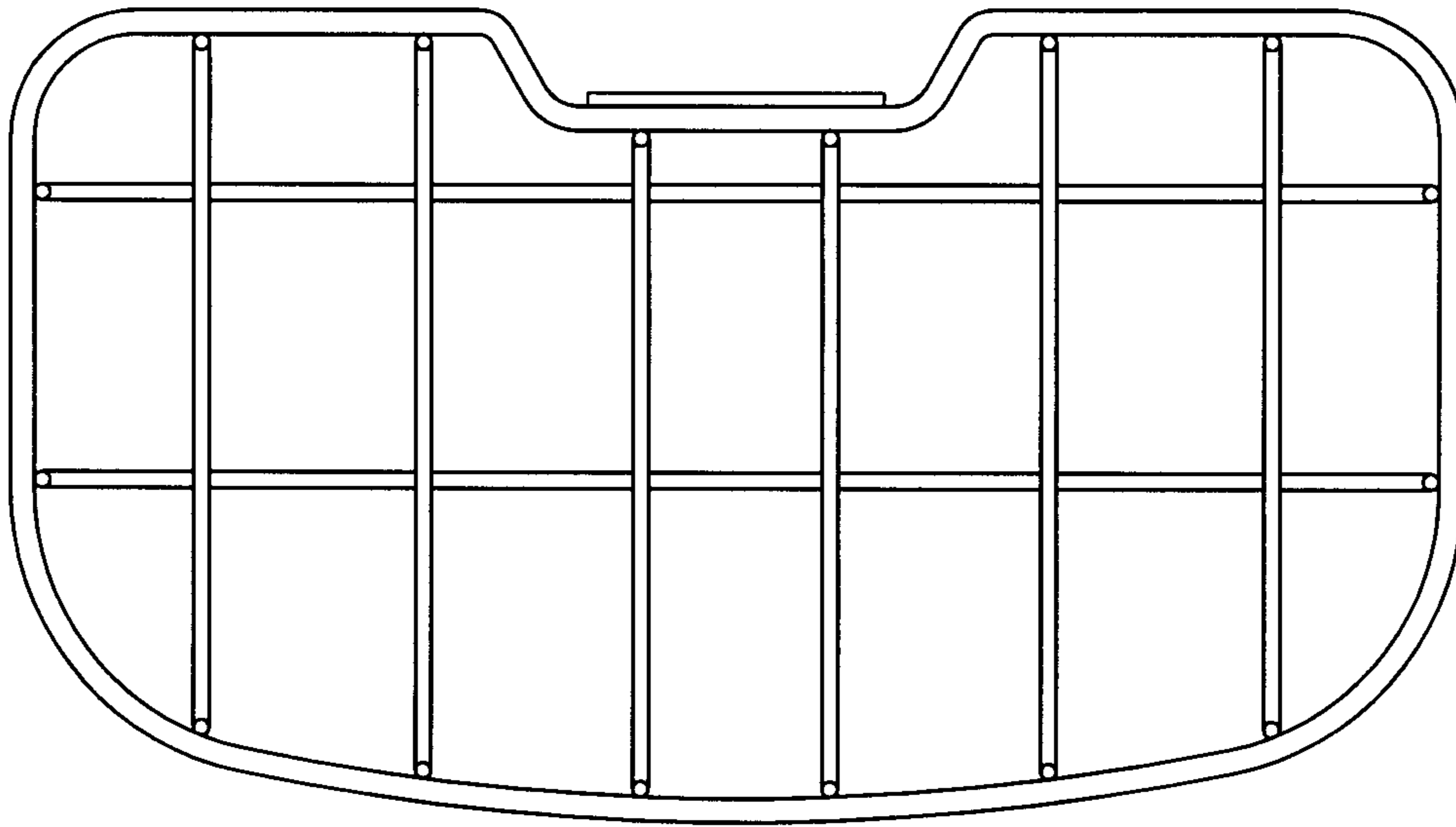


FIG. 3

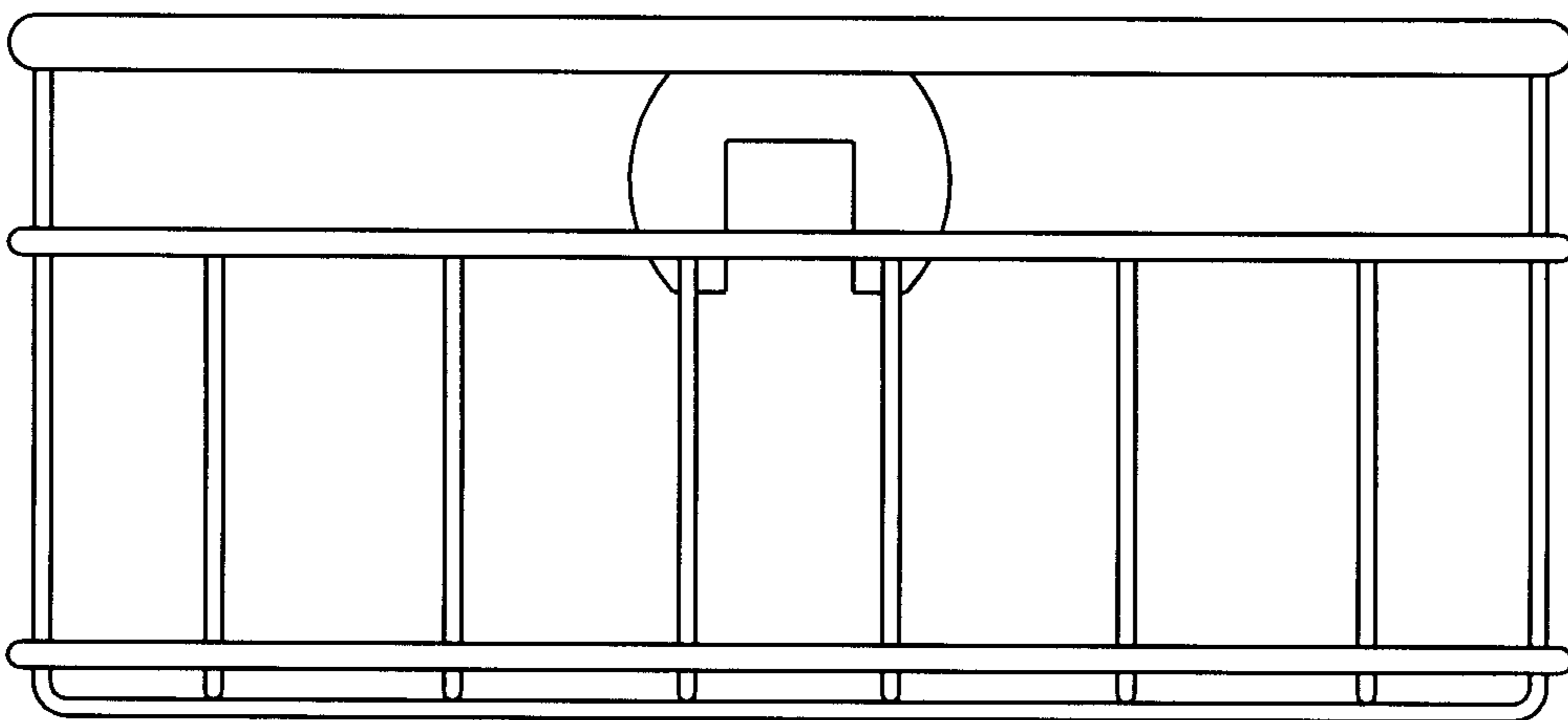


FIG. 4

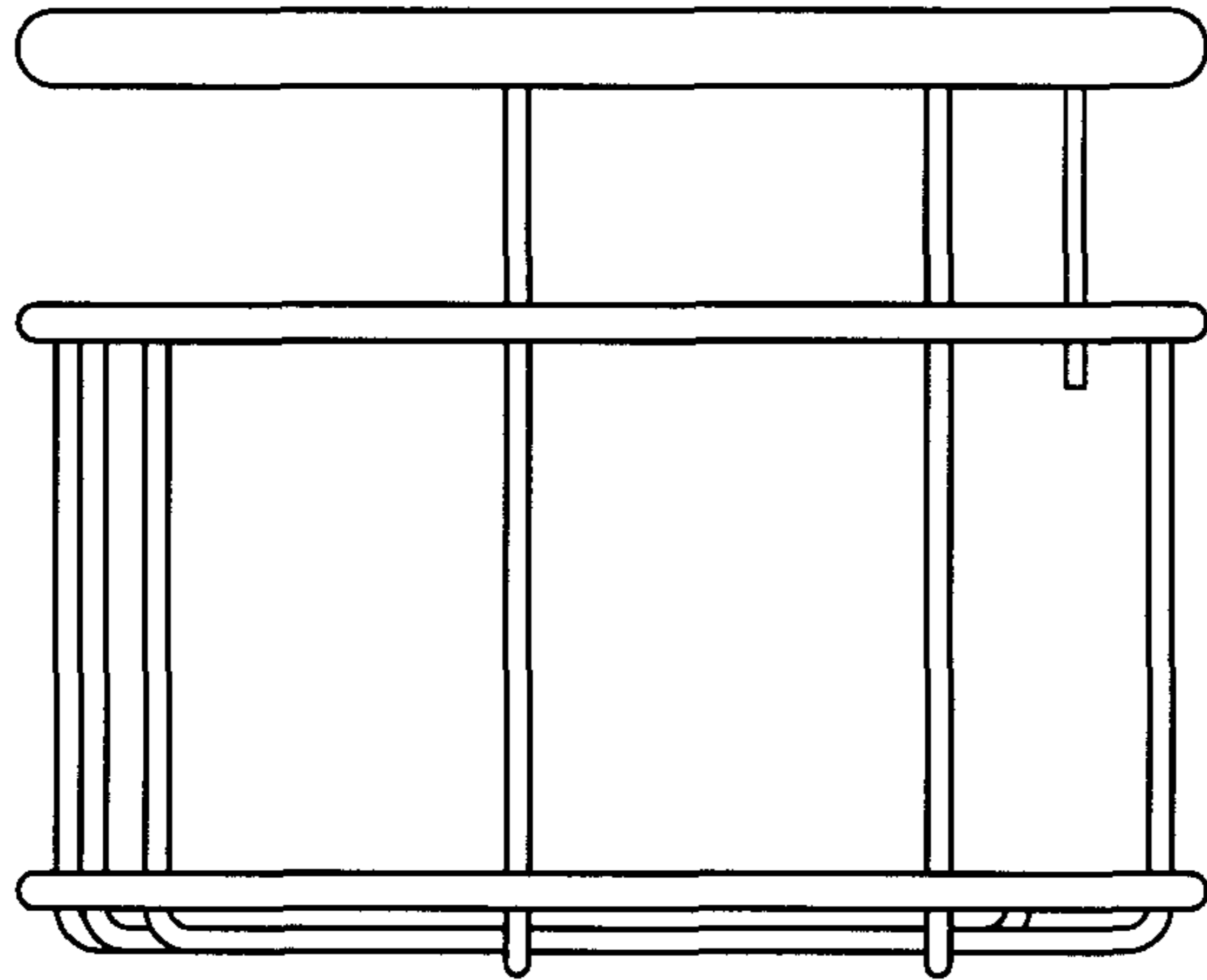


FIG. 5

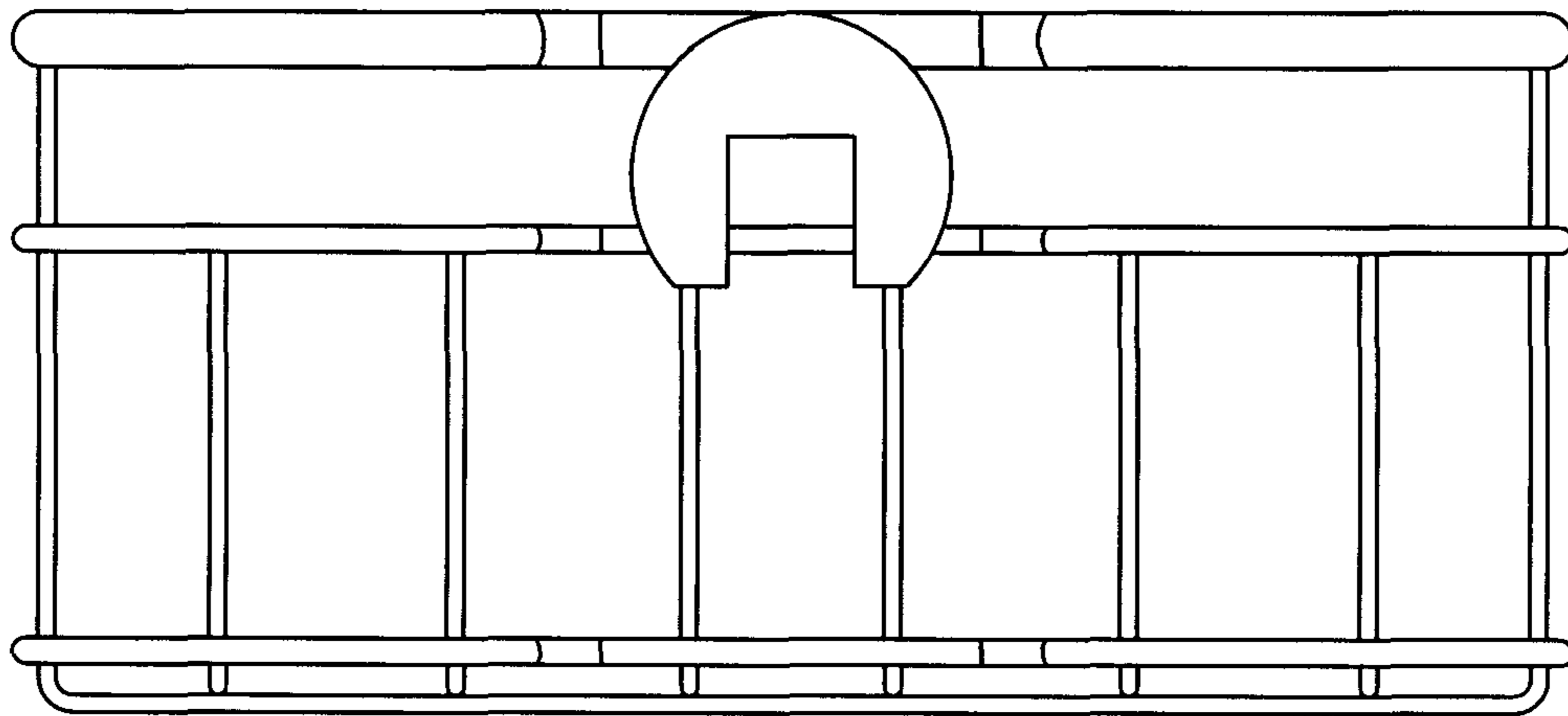


FIG. 6

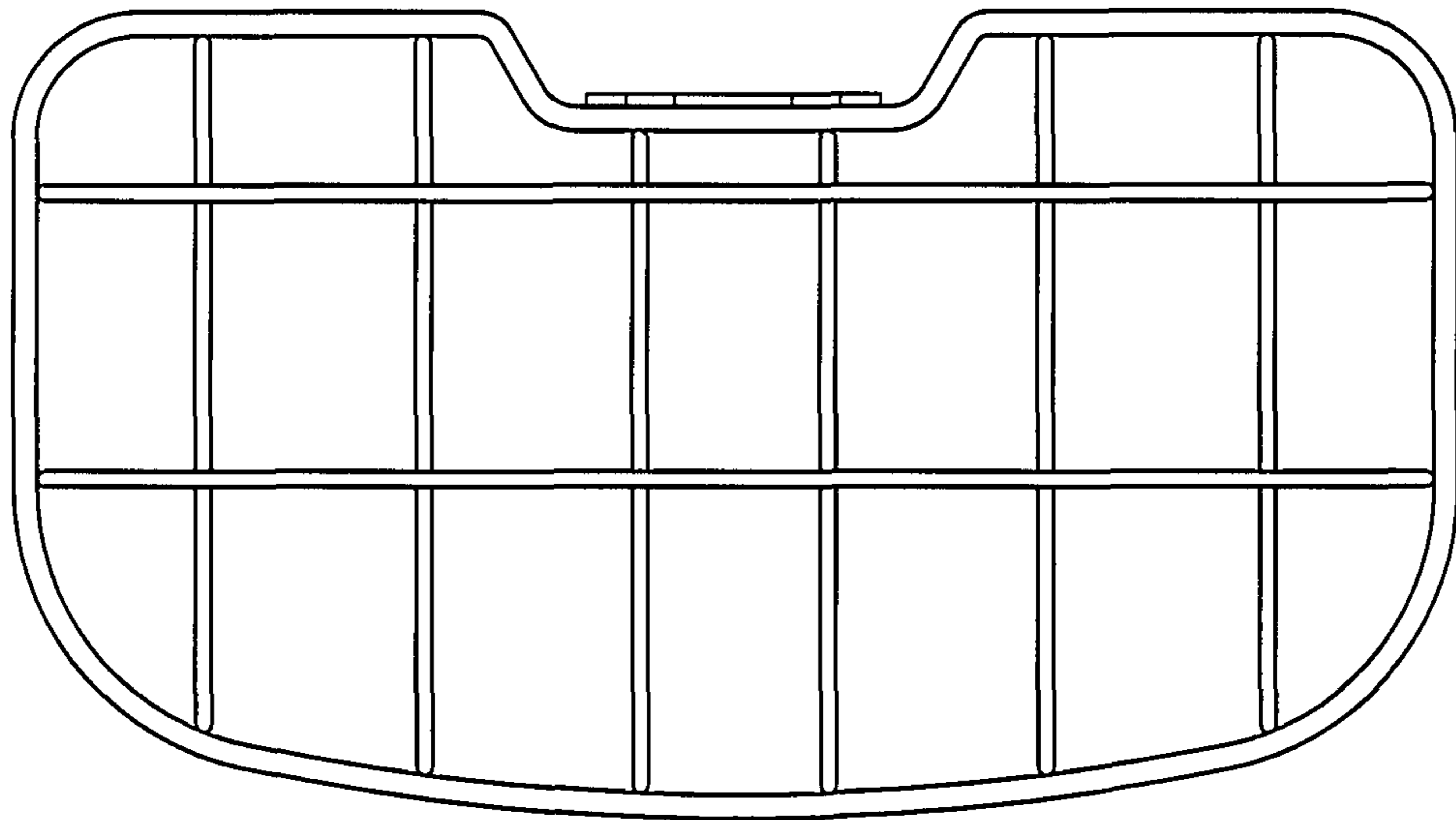


FIG.7