



US00D701395S

(12) **United States Design Patent**
Snider

(10) **Patent No.:** **US D701,395 S**
(45) **Date of Patent:** **** Mar. 25, 2014**

- (54) **WALL MOUNTABLE SOAP DISH**
- (71) Applicant: **MSA Products, Inc.**, Nyack, NY (US)
- (72) Inventor: **Martin Snider**, New City, NY (US)
- (73) Assignee: **MSA Products, Inc.**, Nyack, NY (US)
- (**) Term: **14 Years**
- (21) Appl. No.: **29/455,021**
- (22) Filed: **May 16, 2013**
- (51) **LOC (10) Cl.** **23-02**
- (52) **U.S. Cl.**
USPC **D6/537**
- (58) **Field of Classification Search**
USPC D6/524, 525, 566, 536-537, 540;
211/13.1, 74, 71.01, 86.01, 75, 88.01,
211/90.01, 90.03, 106, 119, 126.1, 133.5,
211/181.1, 134
See application file for complete search history.

- D478,443 S * 8/2003 Clucas D6/537
- D554,407 S * 11/2007 Thompson et al. D6/537
- D612,648 S * 3/2010 Guindi D6/536

* cited by examiner

Primary Examiner — Brian N Vinson

(74) *Attorney, Agent, or Firm* — Gerald E. Hespos; Michael J. Porco; Matthew T. Hespos

(57) **CLAIM**

The ornamental design for a wall mountable soap dish, as shown and described.

DESCRIPTION

FIG. 1 is a top, front, and right side perspective view of a wall mountable soap dish showing my new design, the broken-line disclosure of a suction cup being for illustrative purposes only and forming no part of the claimed design;

FIG. 2 is an additional top, front, and right side perspective view thereof;

FIG. 3 is a top plan view thereof;

FIG. 4 is a front elevational view thereof;

FIG. 5 is a left side elevational view thereof, with the right side elevational view being a mirror image;

FIG. 6 is a rear elevational view thereof; and,

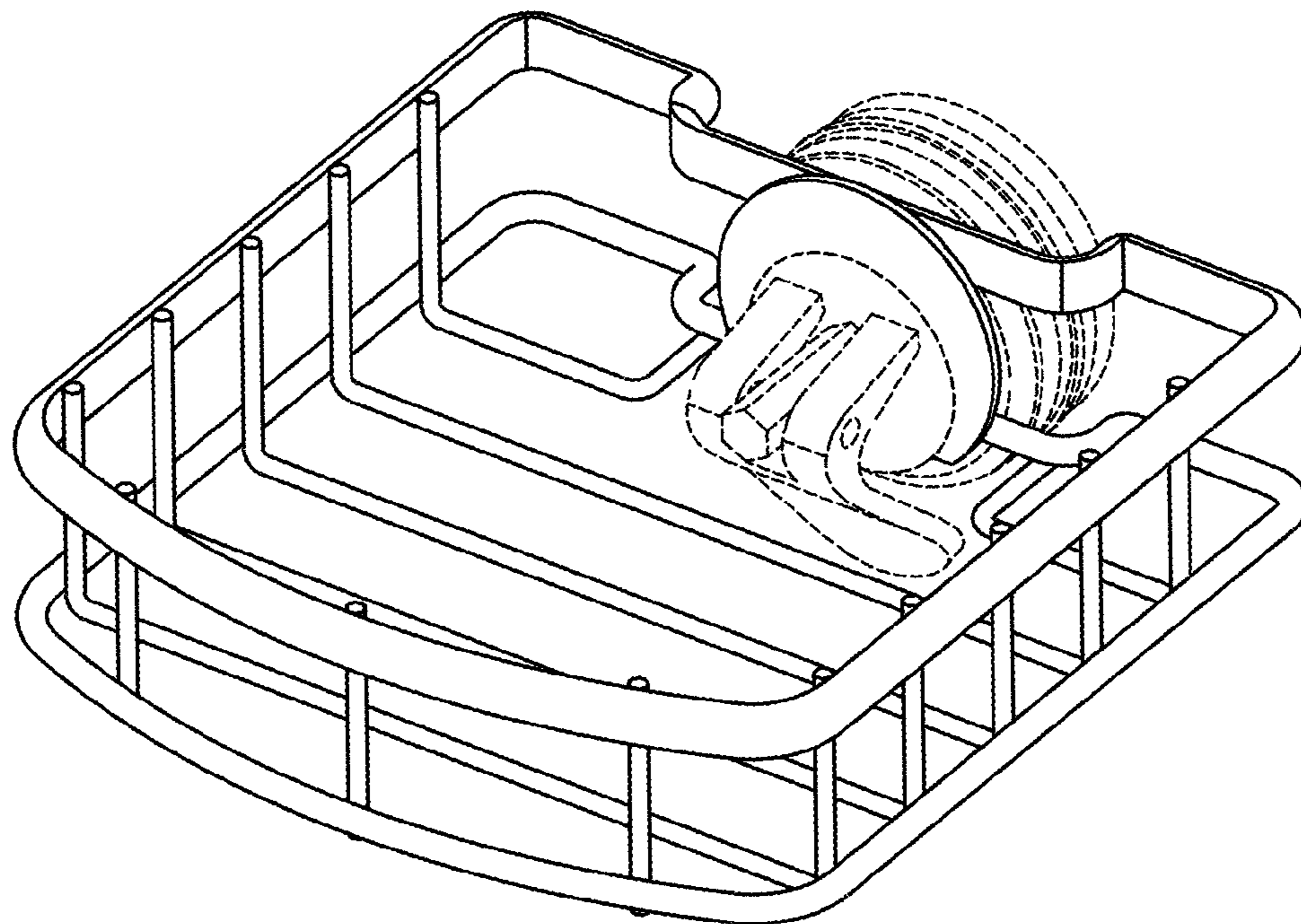
FIG. 7 is bottom plan view thereof.

(56) **References Cited**

U.S. PATENT DOCUMENTS

- D327,596 S * 7/1992 Emery D6/540
- D449,752 S * 10/2001 Snell D6/537

1 Claim, 5 Drawing Sheets



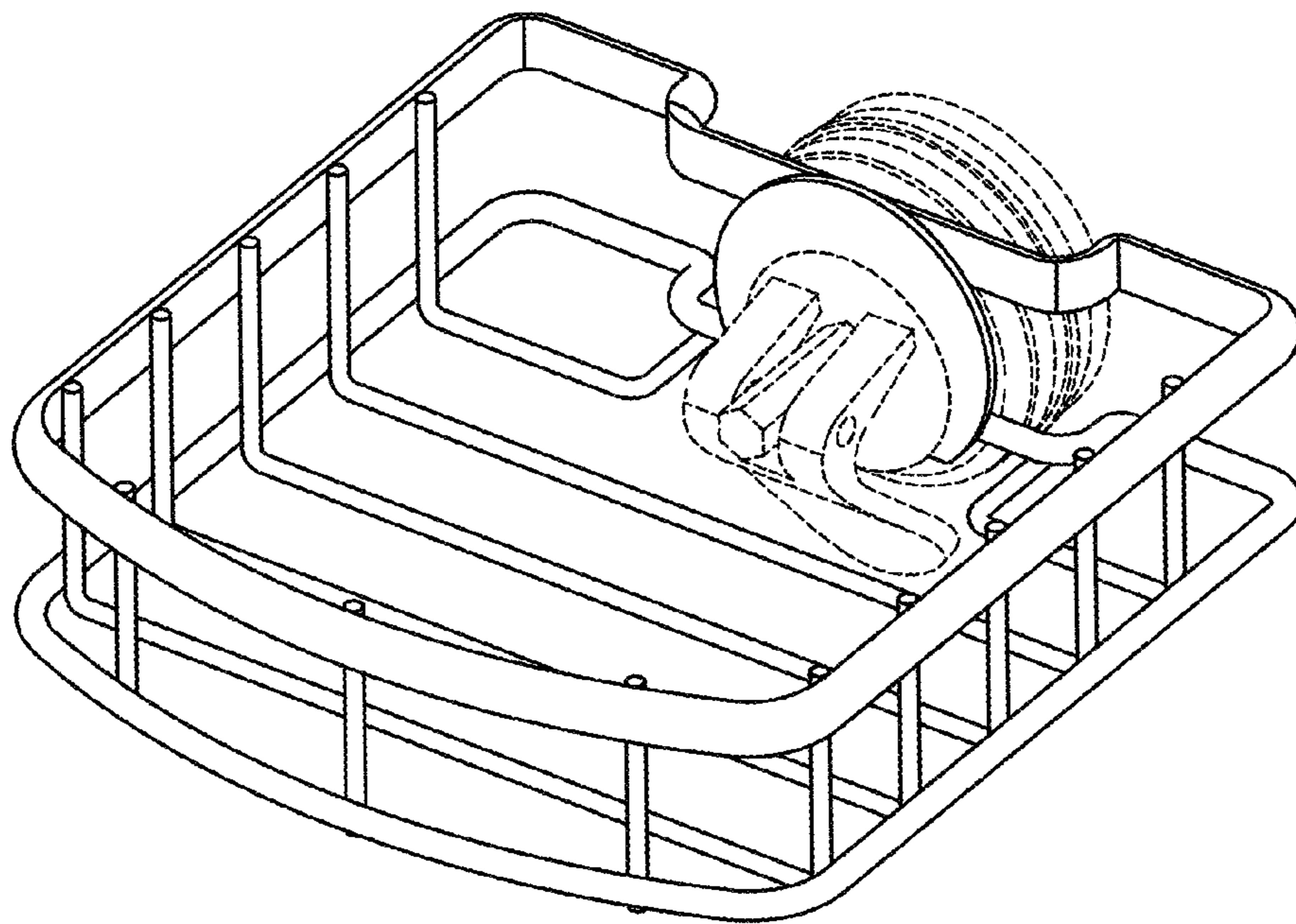


FIG. 1

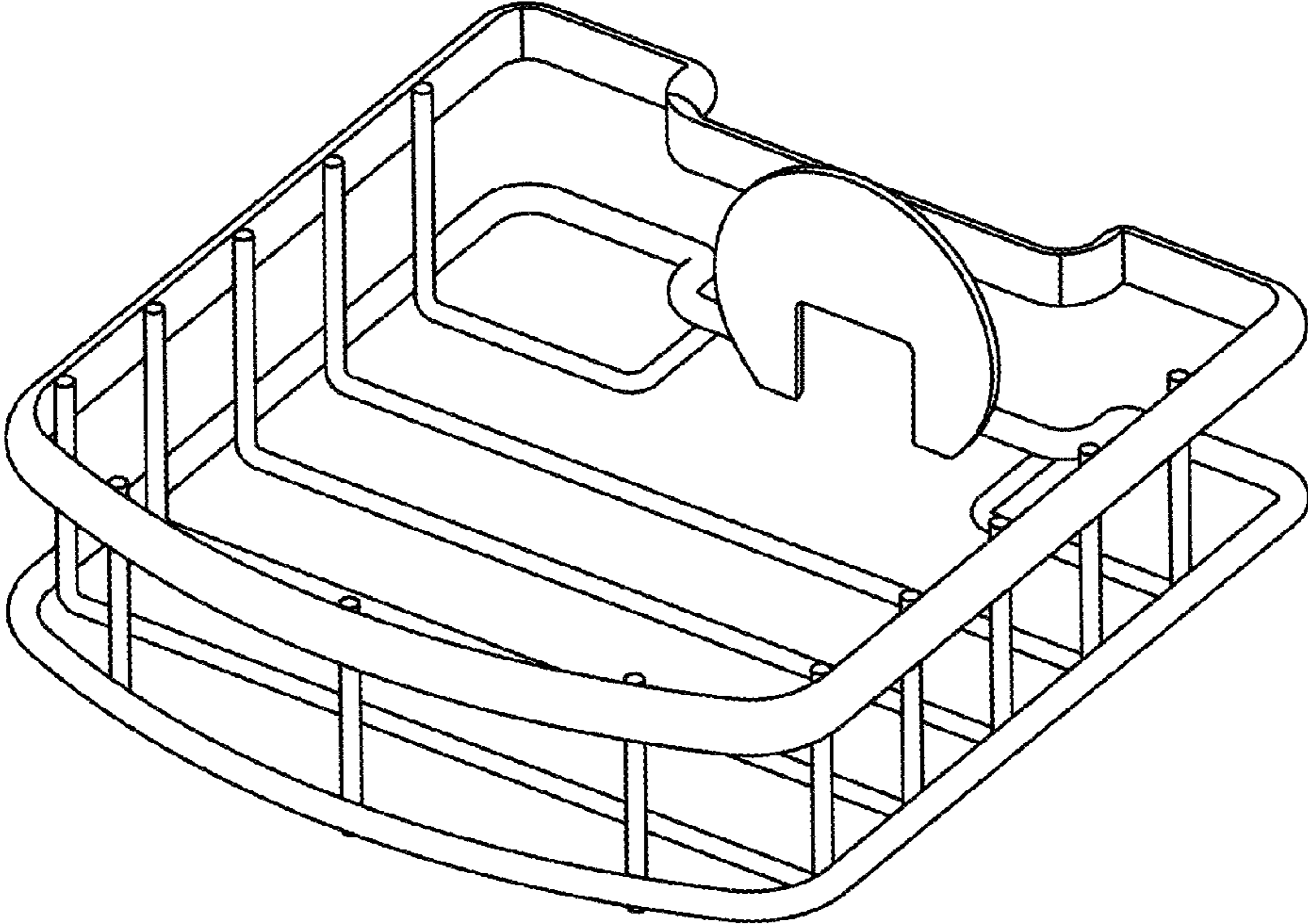


FIG.2

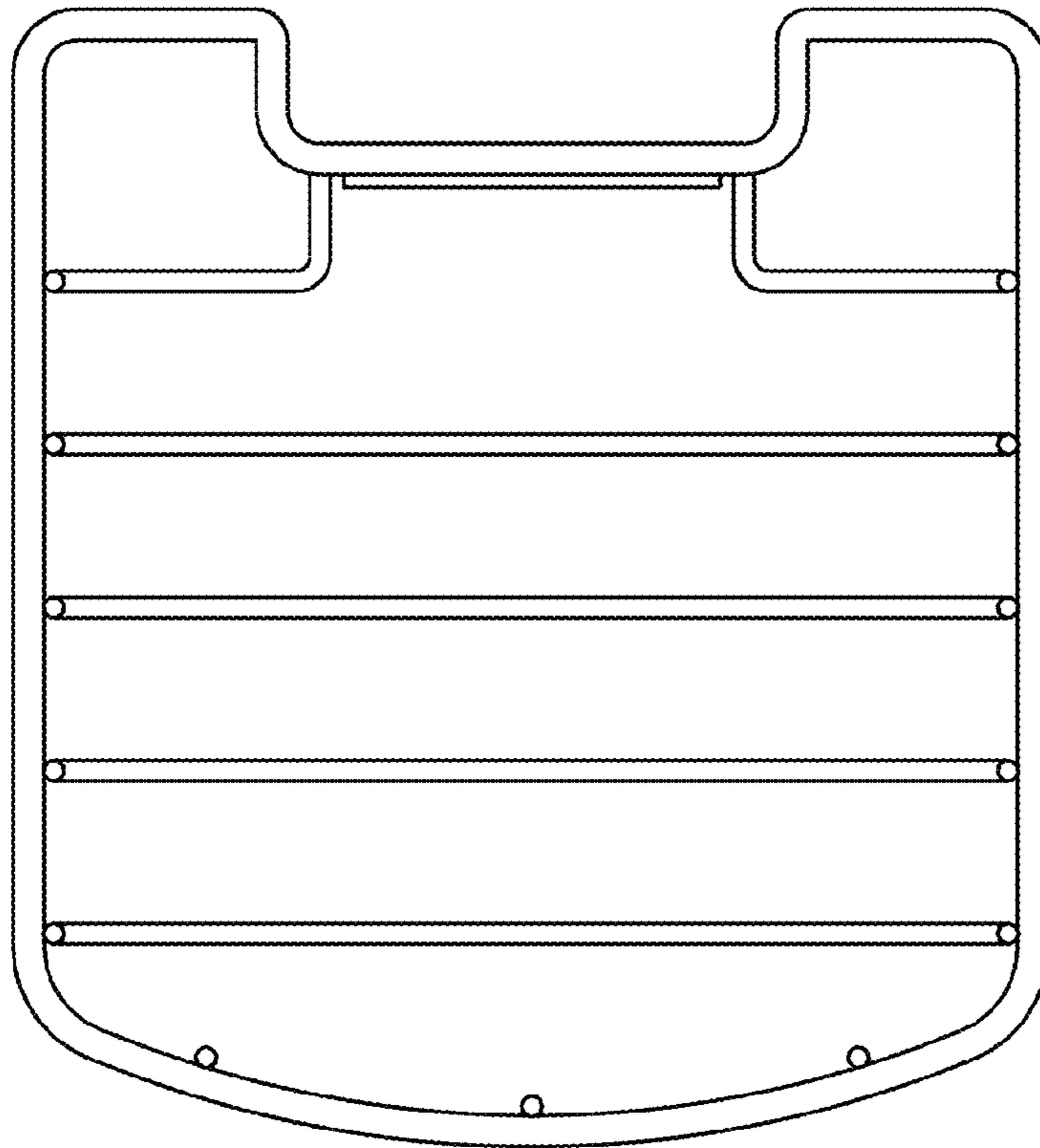


FIG. 3

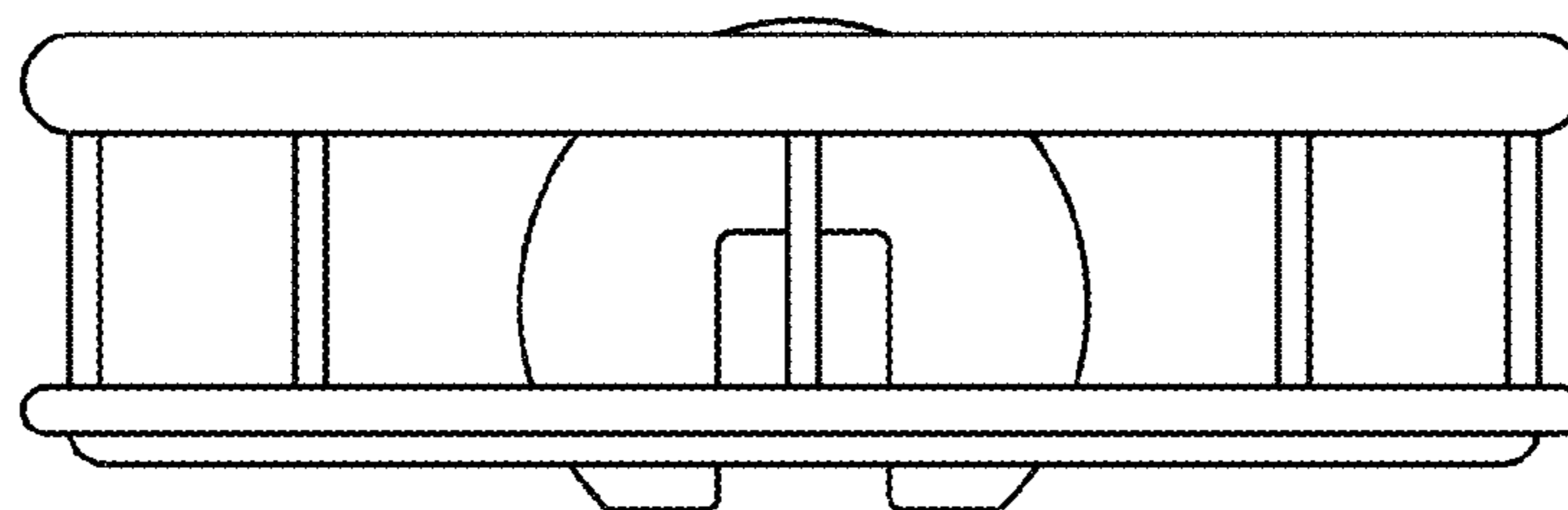


FIG. 4

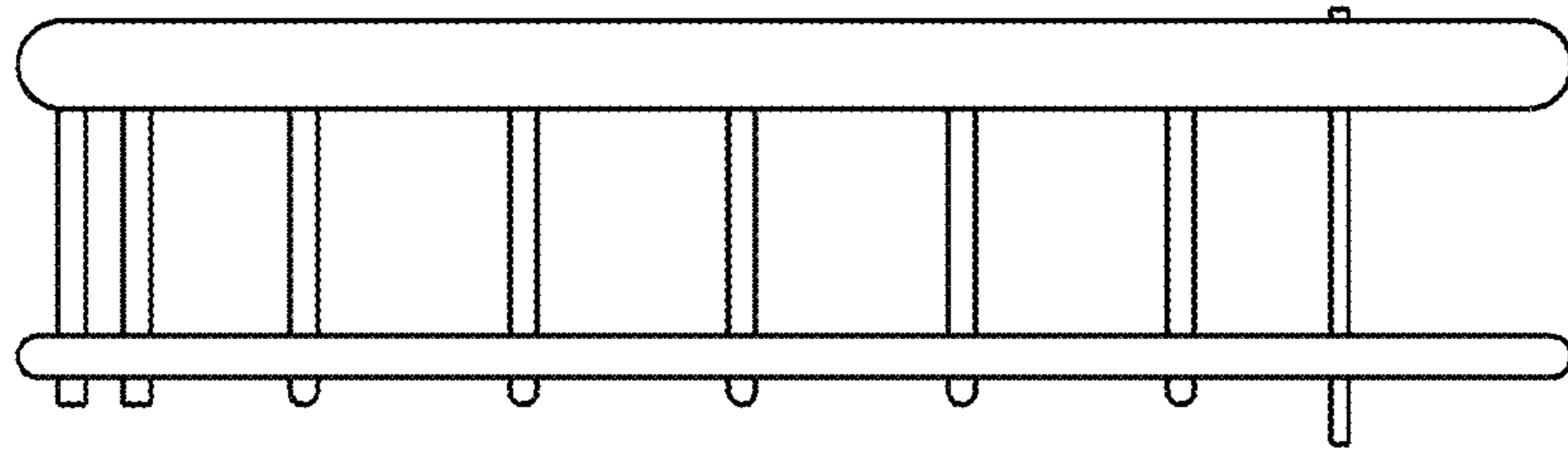


FIG. 5

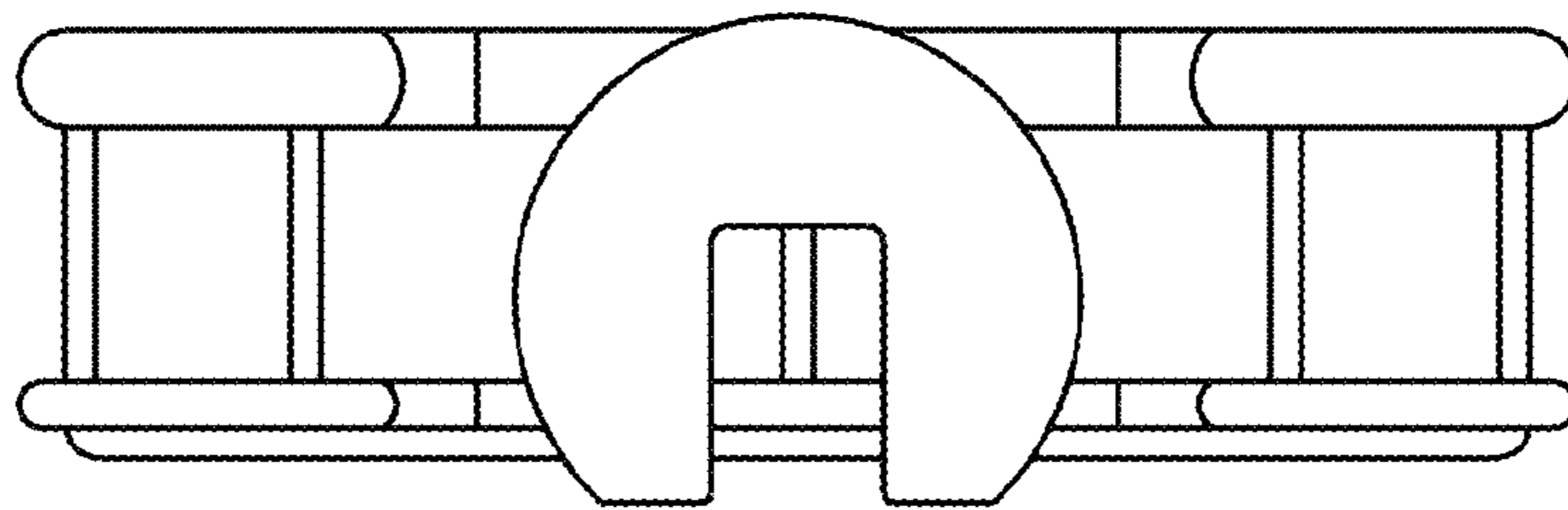


FIG. 6

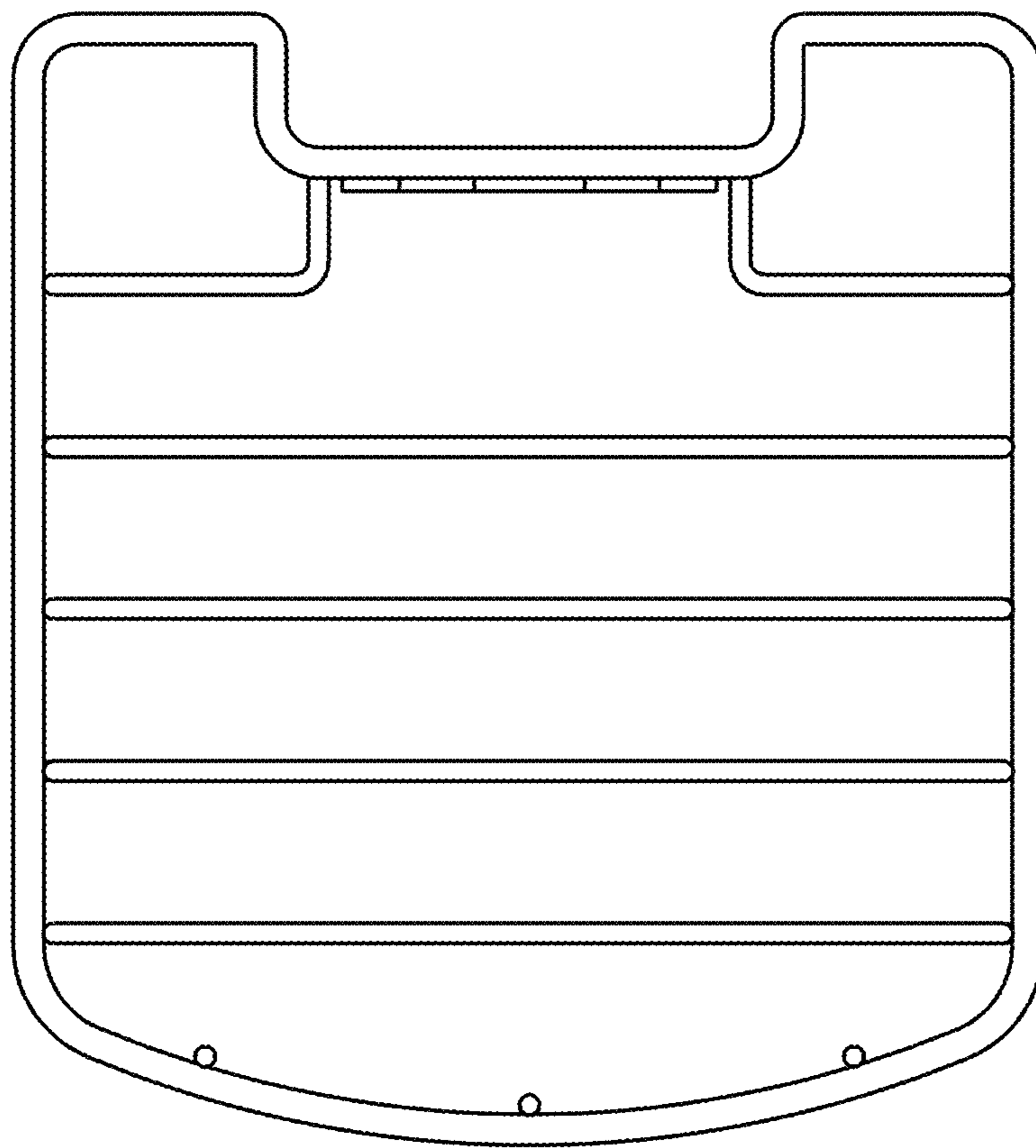


FIG.7