



US00D701394S

(12) **United States Design Patent**
Lin

(10) **Patent No.:** **US D701,394 S**
(45) **Date of Patent:** **** Mar. 25, 2014**

(54) **TOOTHBRUSH HOLDER**

(71) Applicant: **Mei-Shan Lin**, Tainan (TW)

(72) Inventor: **Mei-Shan Lin**, Tainan (TW)

(**) Term: **14 Years**

(21) Appl. No.: **29/452,192**

(22) Filed: **Apr. 12, 2013**

(30) **Foreign Application Priority Data**

Oct. 15, 2012 (TW) 101305999

(51) **LOC (10) Cl.** **23-02**

(52) **U.S. Cl.**

USPC **D6/534**

(58) **Field of Classification Search**

USPC D6/524, 526, 527, 528, 534; 206/208,
206/228, 209, 209.1, 361, 362, 362.1,
206/362.2, 362.3; 211/13.1, 66, 70.6,
211/86.01, 87.01; D7/701, 635, 637

See application file for complete search history.

(56) **References Cited**

U.S. PATENT DOCUMENTS

D481,572 S * 11/2003 Dretzka D6/534
D625,942 S * 10/2010 Yang et al. D6/528
D672,592 S * 12/2012 Legreca et al. D6/534

* cited by examiner

Primary Examiner — Brian N Vinson

(74) *Attorney, Agent, or Firm* — Muncy, Geissler, Olds & Lowe, P.C.

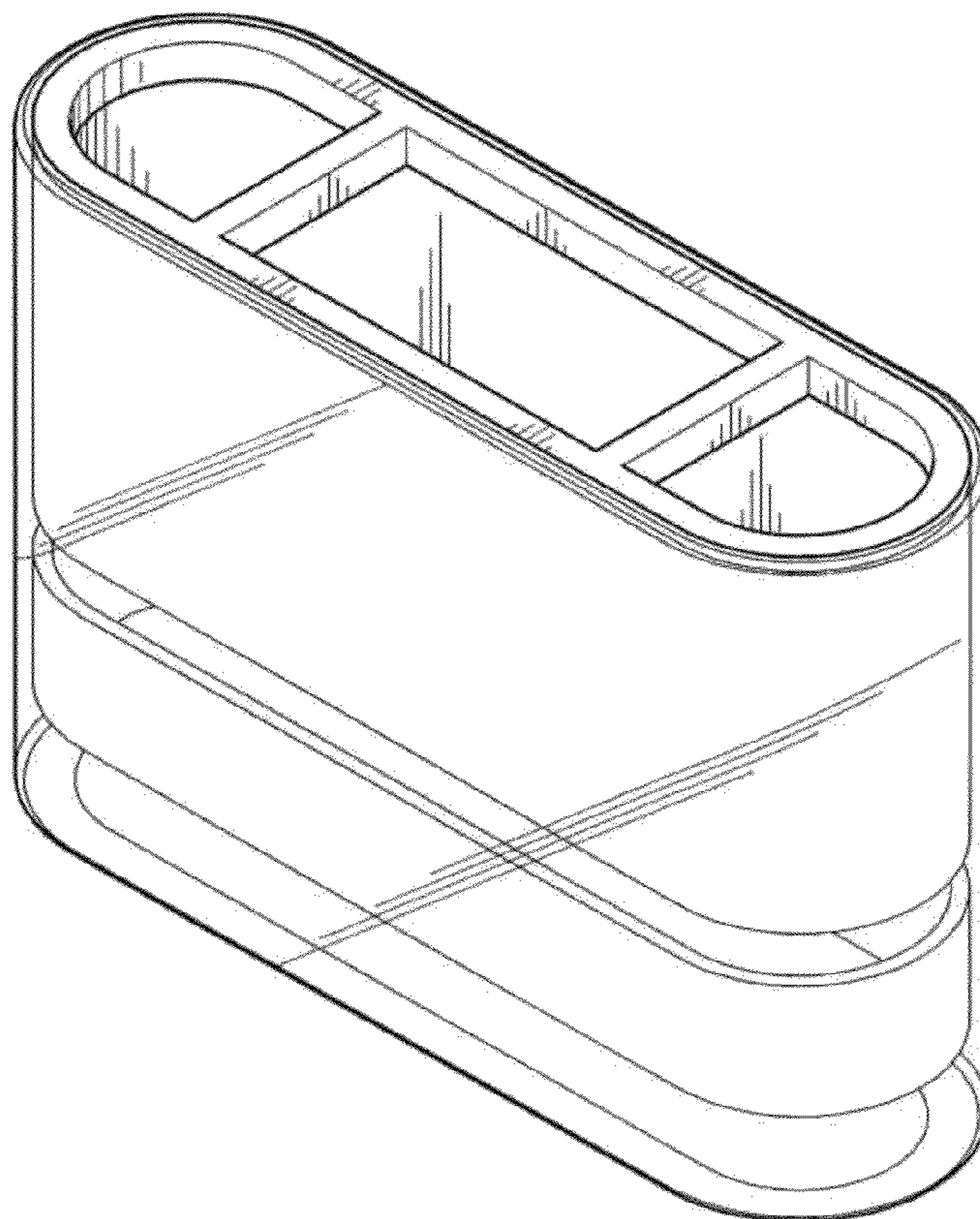
(57) **CLAIM**

The ornamental design for a toothbrush holder, as shown and described.

DESCRIPTION

FIG. 1 is a top and front perspective view of a toothbrush holder showing my new design;
FIG. 2 is a front elevational view thereof, the rear being a mirror image of that shown;
FIG. 3 is a left side elevational view thereof, the right side being a mirror image of that shown;
FIG. 4 is a top plan view thereof; and,
FIG. 5 is a bottom plan view thereof.

1 Claim, 4 Drawing Sheets



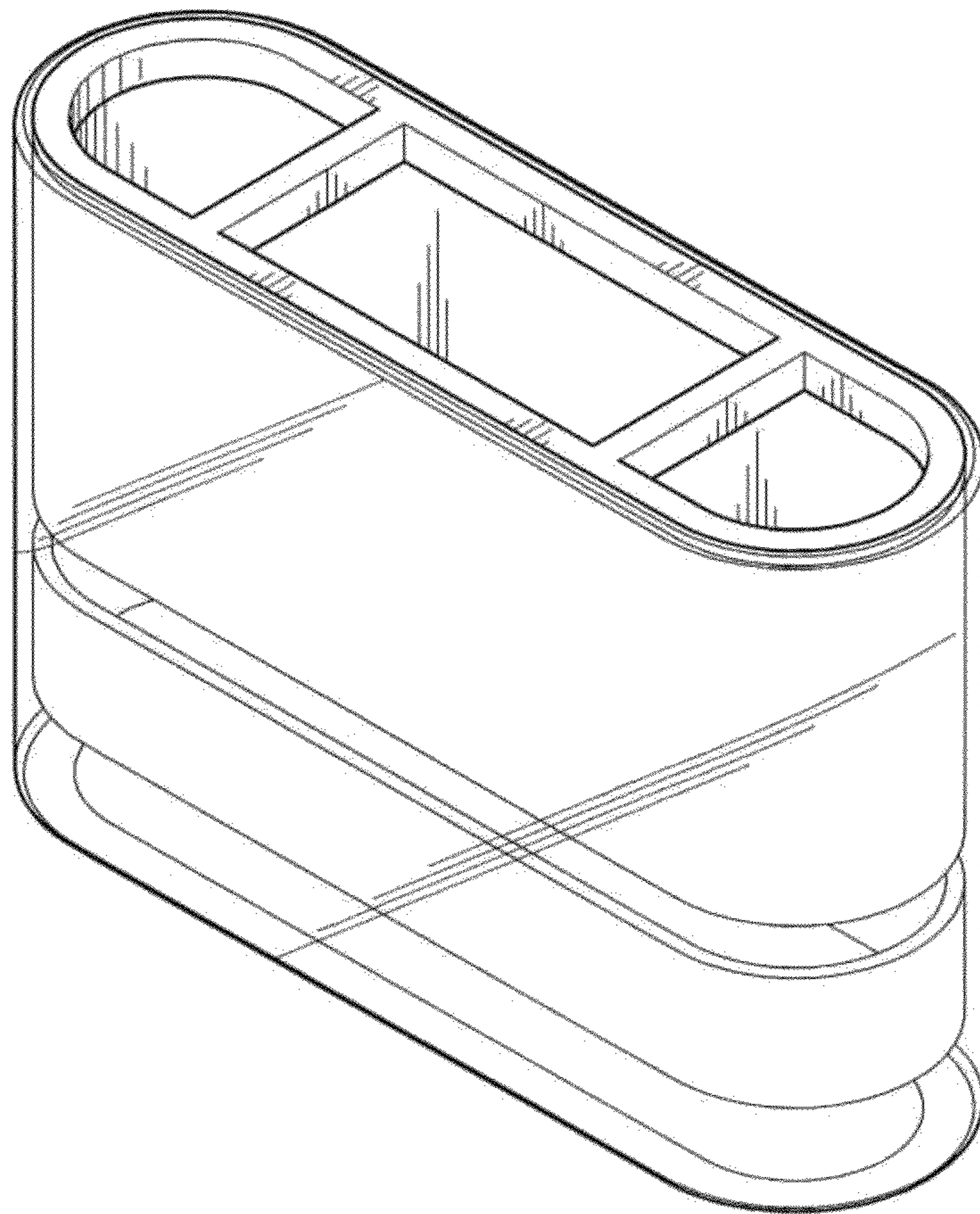


FIG . 1

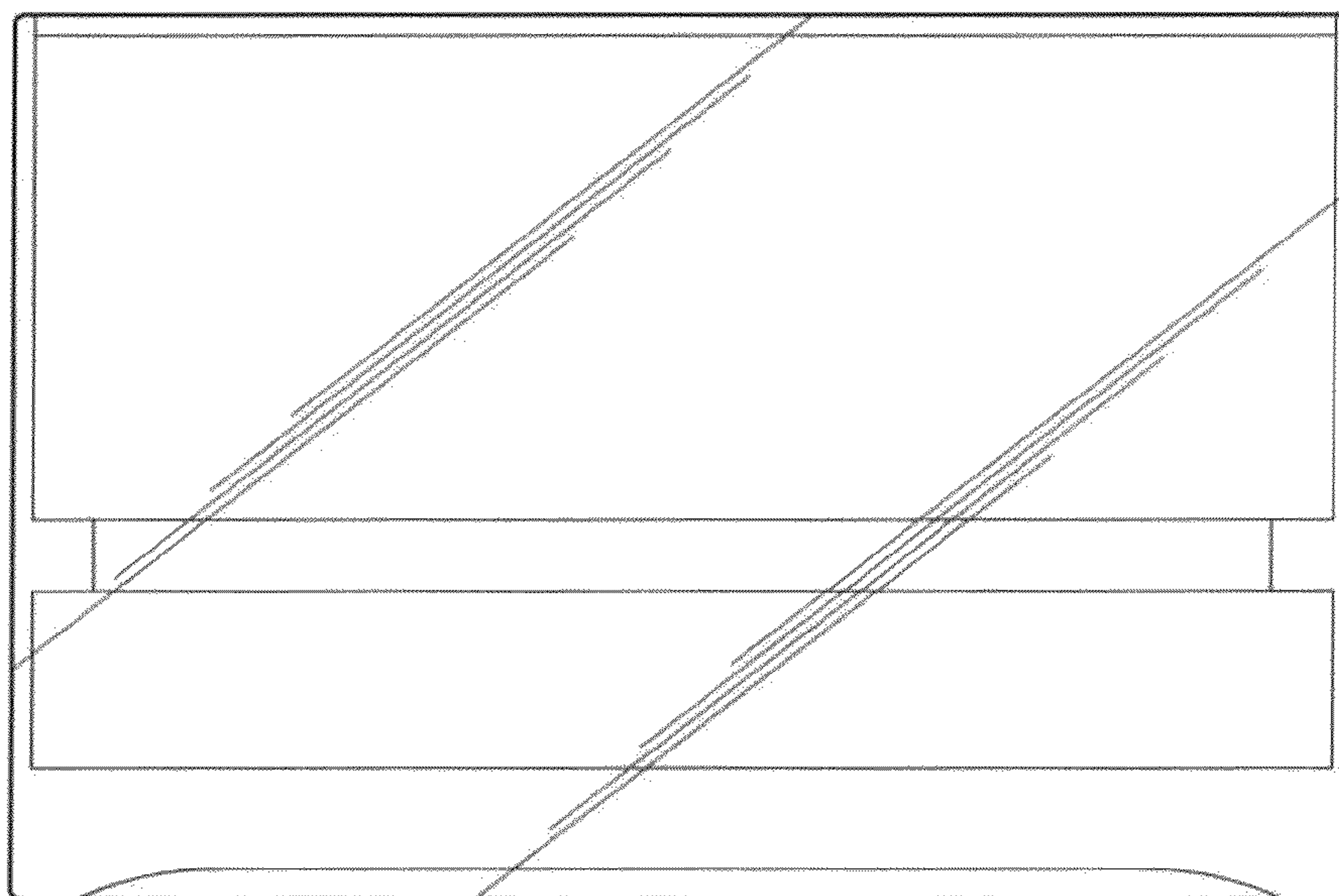


FIG. 2

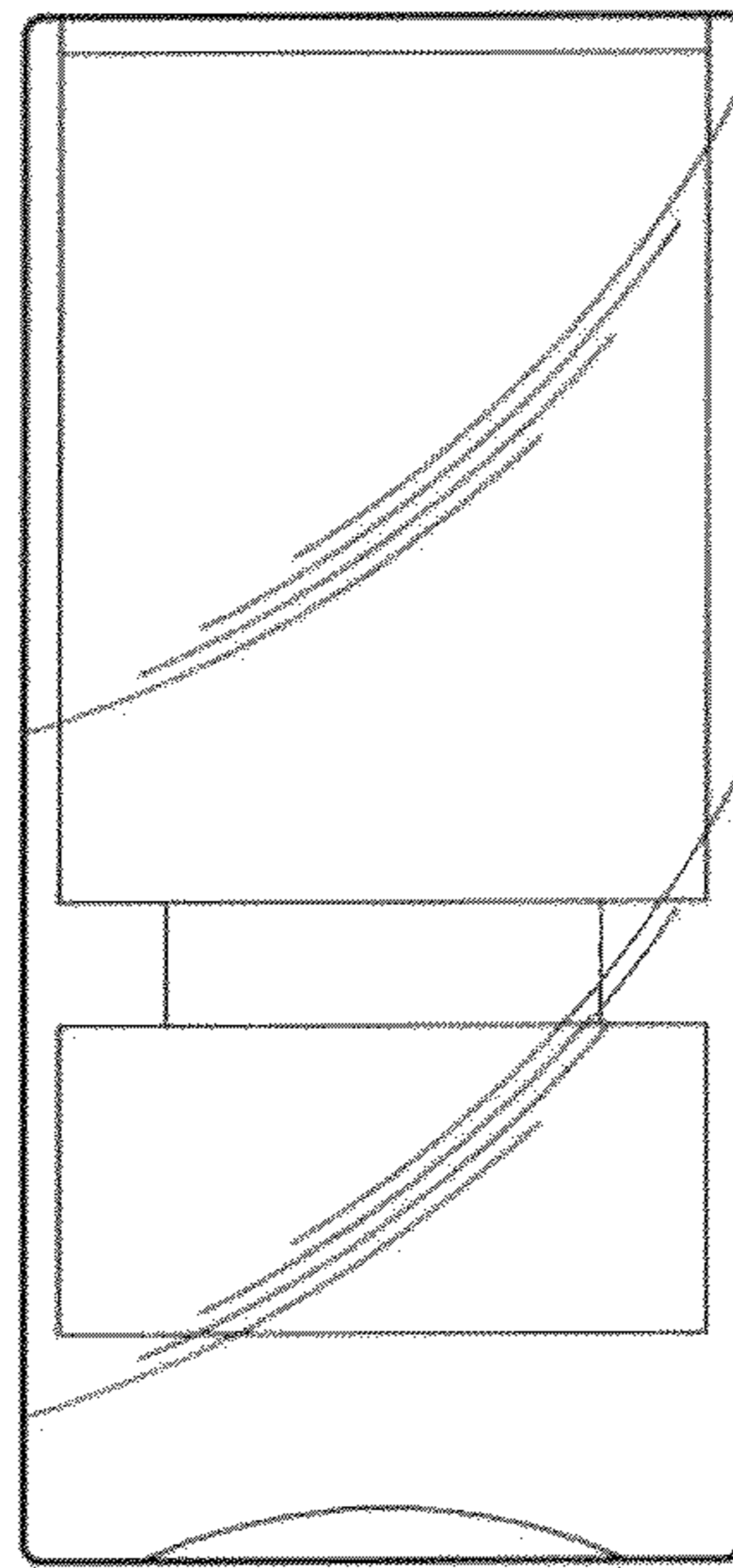


FIG. 3

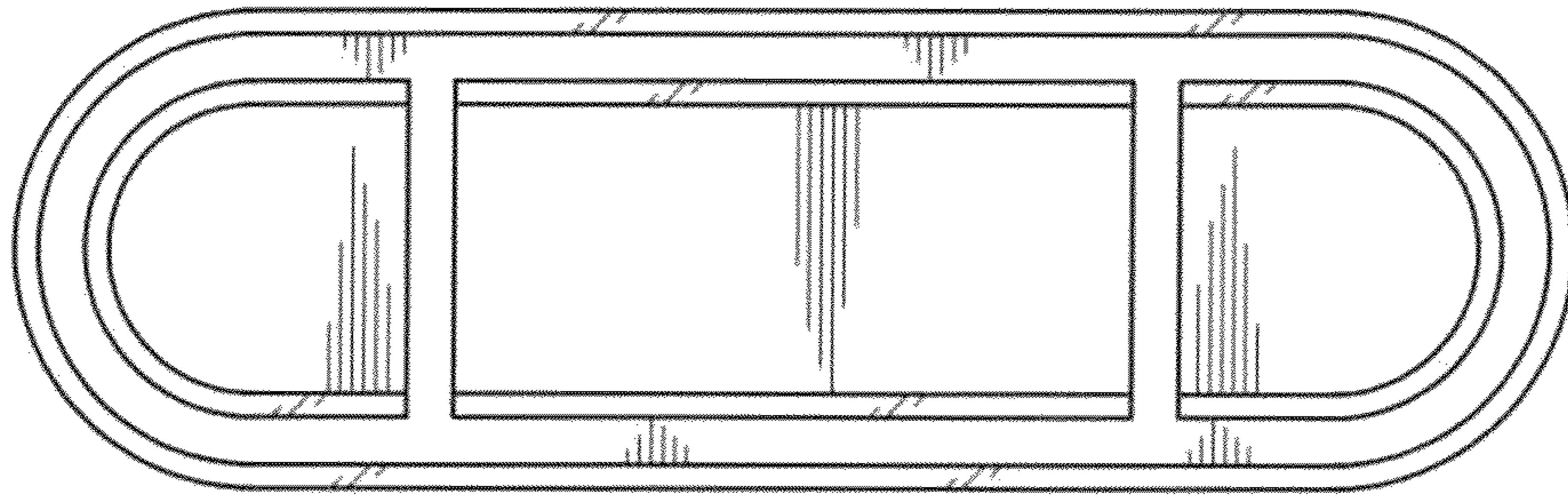


FIG. 4

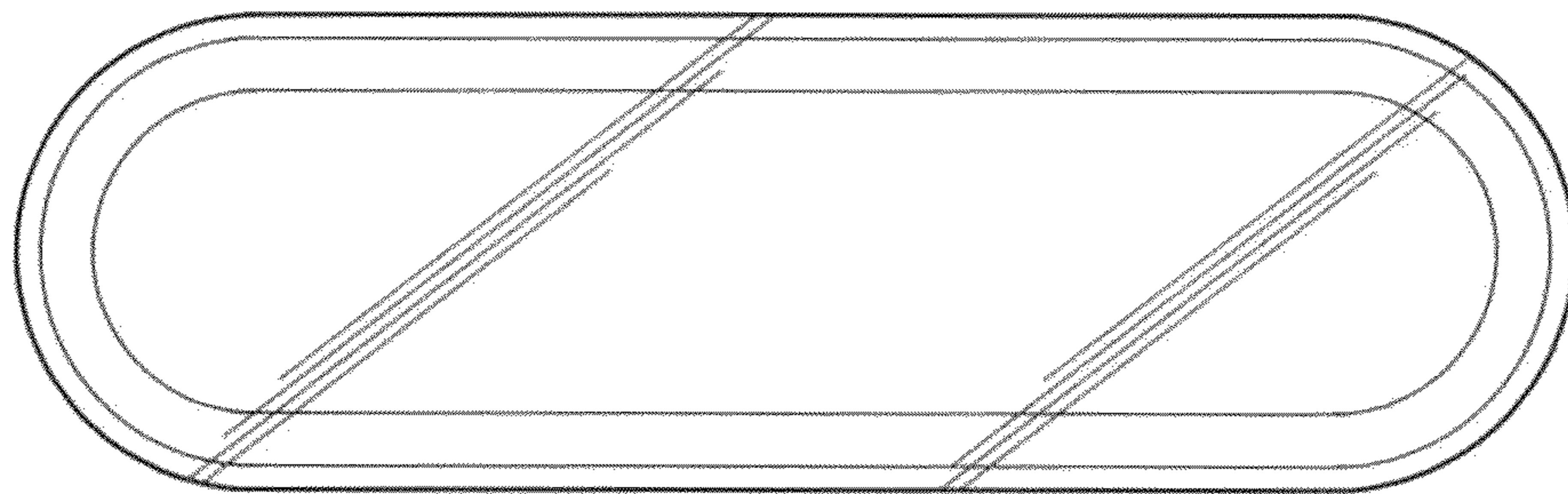


FIG. 5