



US00D701393S

(12) **United States Design Patent**
Boeltl

(10) **Patent No.:** **US D701,393 S**
(45) **Date of Patent:** **** Mar. 25, 2014**

- (54) **PAPER ROLL HOLDER**
- (71) Applicant: **Acorn Engineering Company**, City of Industry, CA (US)
- (72) Inventor: **Darryl Mark Boeltl**, Whittier, CA (US)
- (73) Assignee: **Acorn Engineering Company**, City of Industry, CA (US)

D254,412	S	3/1980	Knight	
D266,214	S	* 9/1982	Littlefield	D6/523
5,248,105	A	* 9/1993	Cooker	D6/523
D393,972	S	5/1998	Kato	
D394,573	S	* 5/1998	Tobias	D6/523
D403,191	S	12/1998	Paul et al.	
5,845,870	A	12/1998	Angle	
5,868,347	A	2/1999	Paul et al.	
D406,975	S	3/1999	Tobias	
6,328,253	B1	* 12/2001	Paul	D6/523

(**) Term: **14 Years**

(21) Appl. No.: **29/463,270**

(22) Filed: **Sep. 25, 2013**

(51) **LOC (10) Cl.** **23-02**

(52) **U.S. Cl.**
USPC **D6/523**

(58) **Field of Classification Search**
USPC D6/518-524, 546-550; 108/28-29;
211/13.1, 16, 60.1, 86.01, 87.01,
211/88.01, 88.04, 100, 105.1, 105.2, 123,
211/181.1, 182; 248/175, 176.1, 251, 302;
16/110.1, 415; 242/570, 590, 595-598;
D8/300, 303, 315-321
See application file for complete search history.

(56) **References Cited**

U.S. PATENT DOCUMENTS

D132,248	S	* 5/1942	Dreyfuss	D6/523
3,049,310	A	* 8/1962	Wolfe	D6/520
4,089,481	A	* 5/1978	Ciuci	D6/523
4,114,824	A	* 9/1978	Danielak	D6/523

* cited by examiner

Primary Examiner — Brian N Vinson

(74) *Attorney, Agent, or Firm* — William S. Ramsey

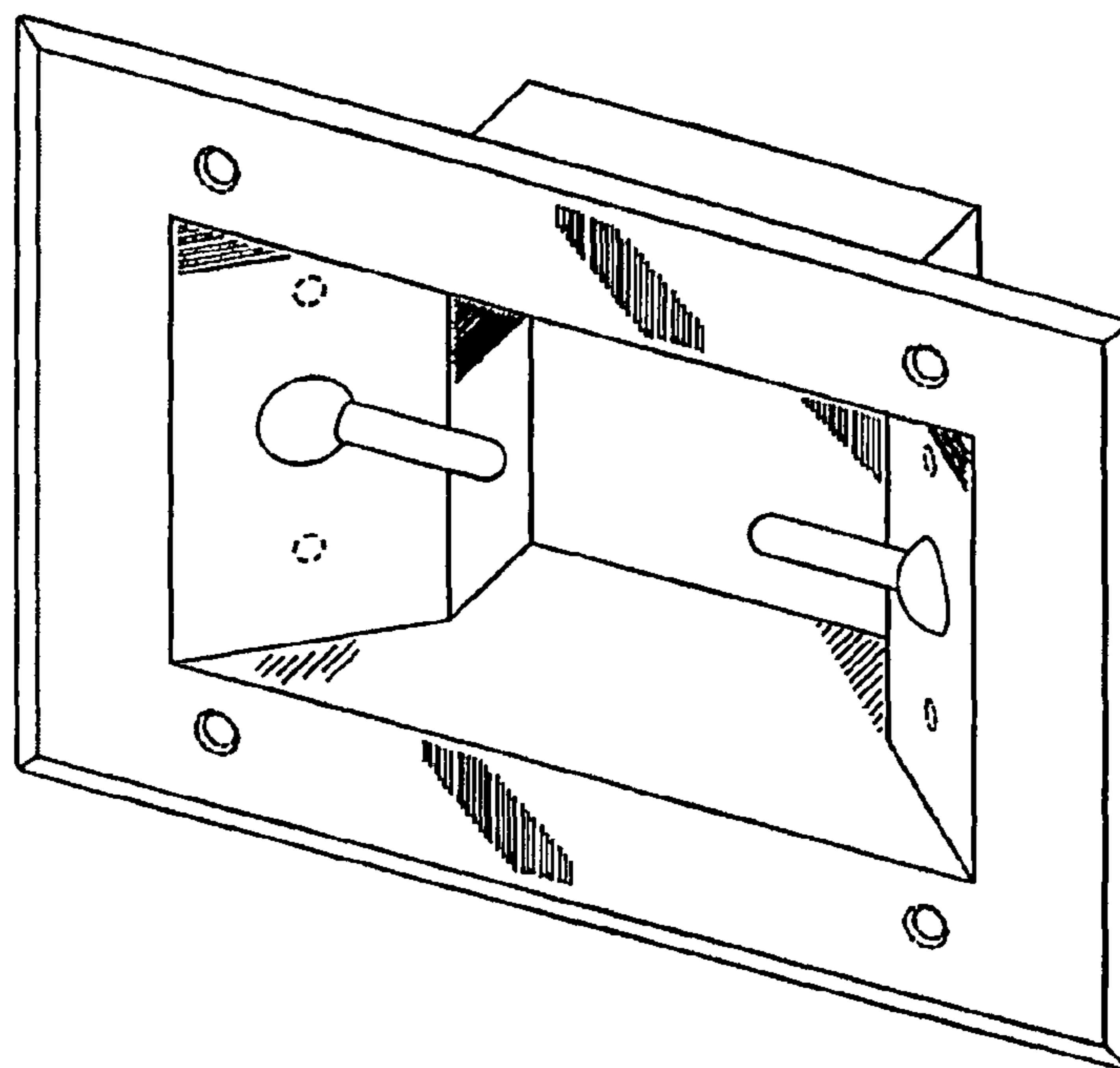
(57) **CLAIM**

The ornamental design for a paper roll holder, as shown and described.

DESCRIPTION

FIG. 1 is a front perspective view of a paper roll holder showing my new design;
 FIG. 2 is a front elevational view thereof;
 FIG. 3 is a top plan view thereof, the bottom plan view thereof being identical;
 FIG. 4 is a right side elevational view thereof; the left side being a mirror image; and,
 FIG. 5 is a back elevational view thereof.
 The fixture and flange holes, flanges, and associated hemispheres, are shown in broken lines for illustrative purposes only and form no part of the claimed design.

1 Claim, 5 Drawing Sheets



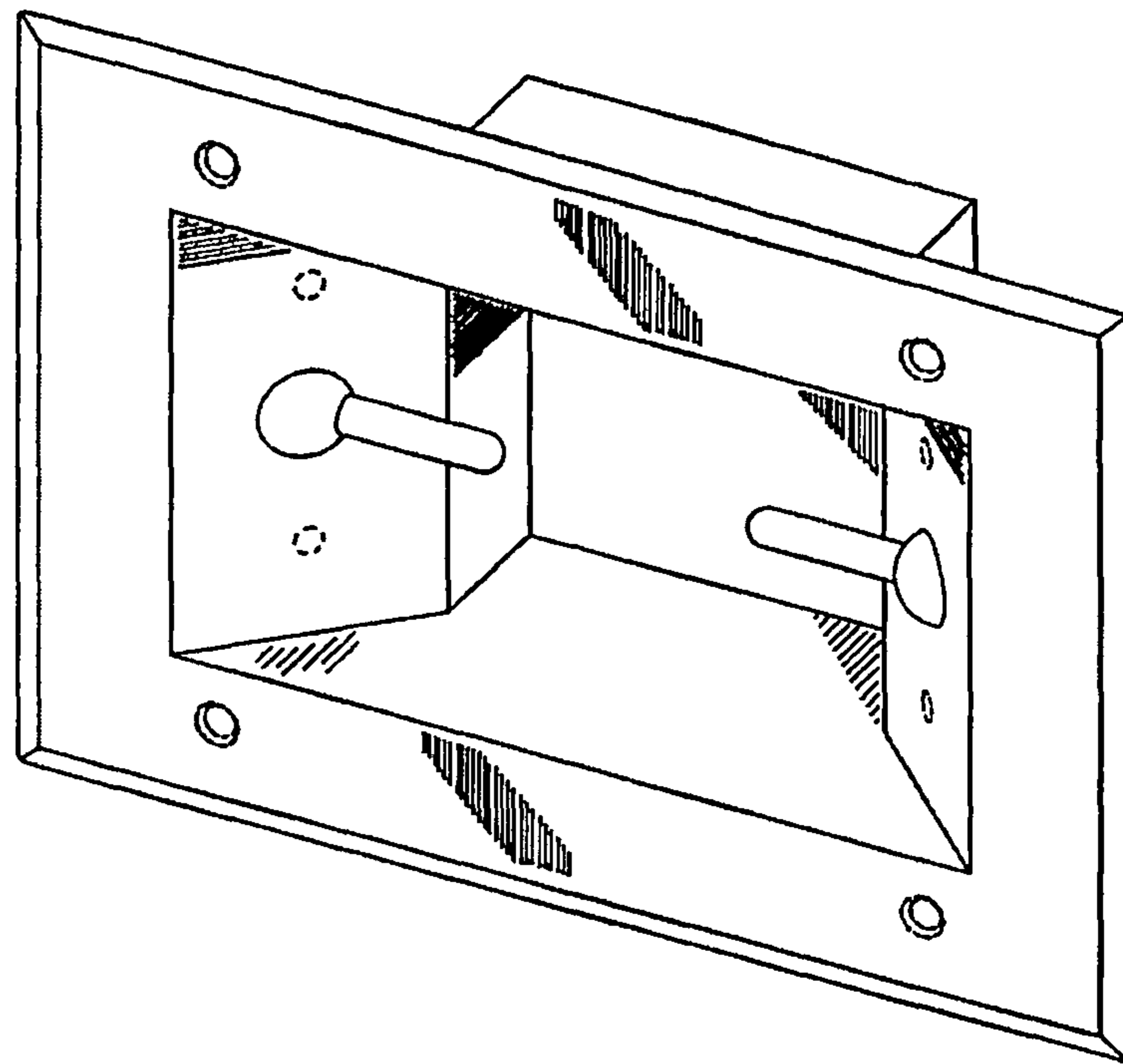


FIG 1.

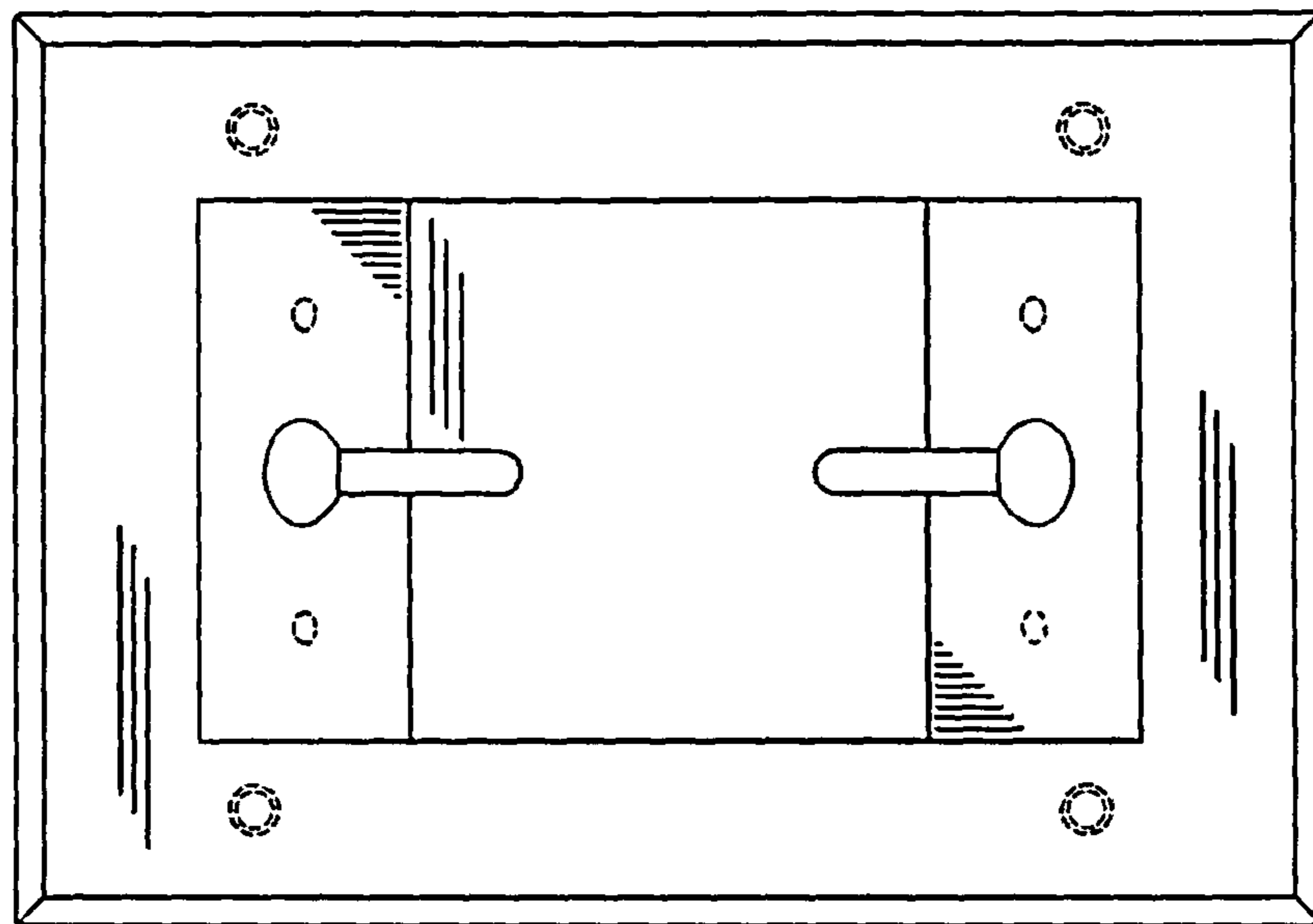


FIG 2.

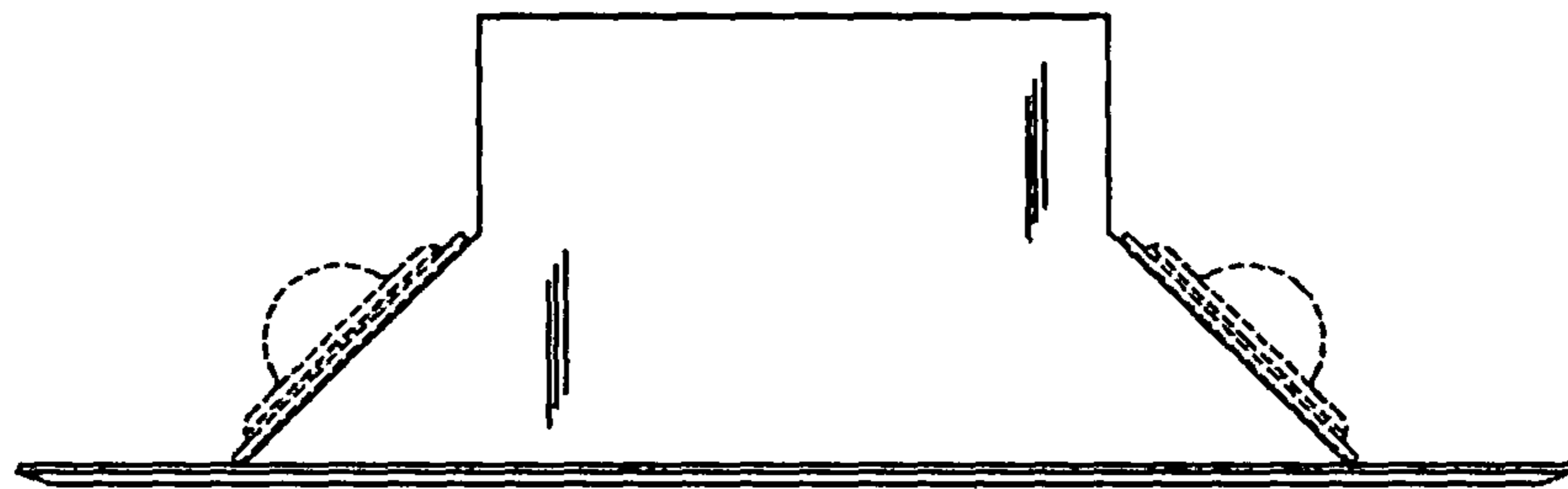


FIG 3.

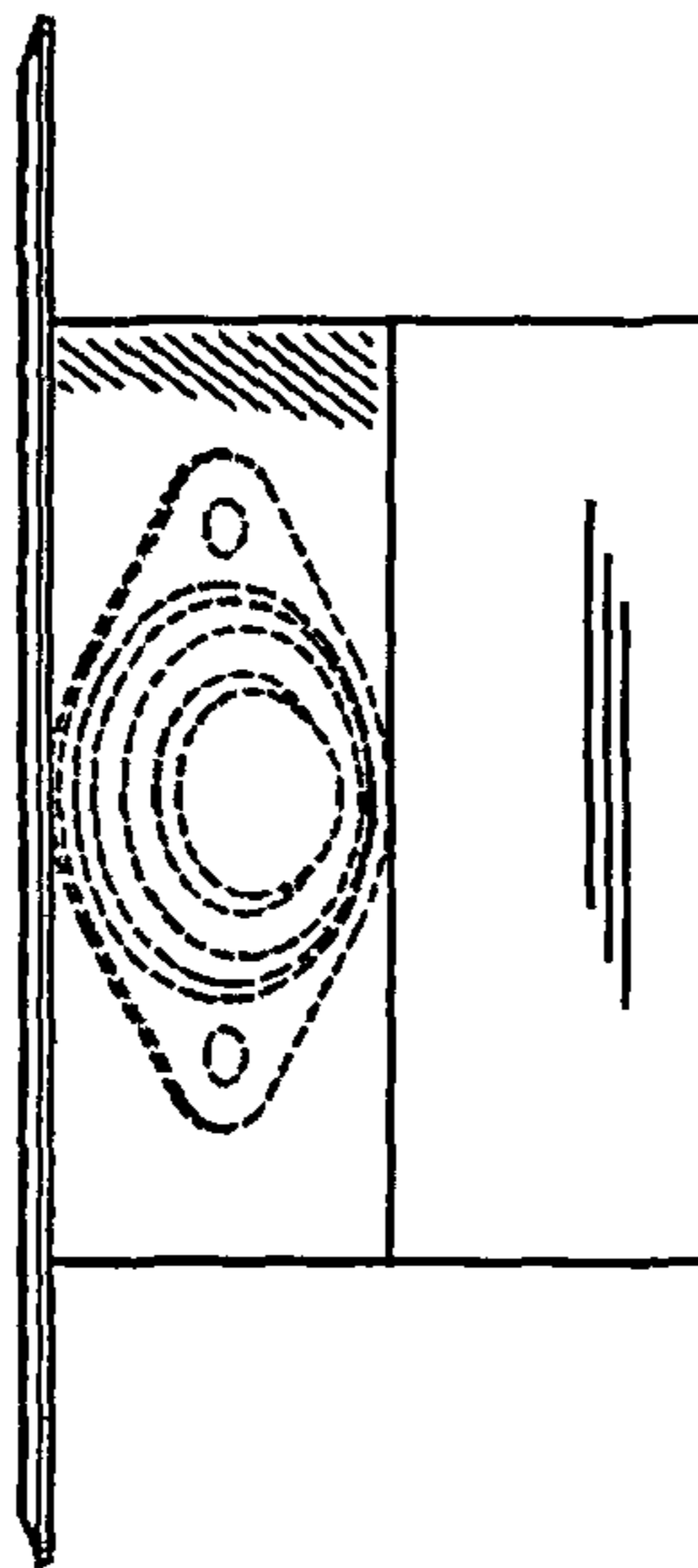


FIG. 4

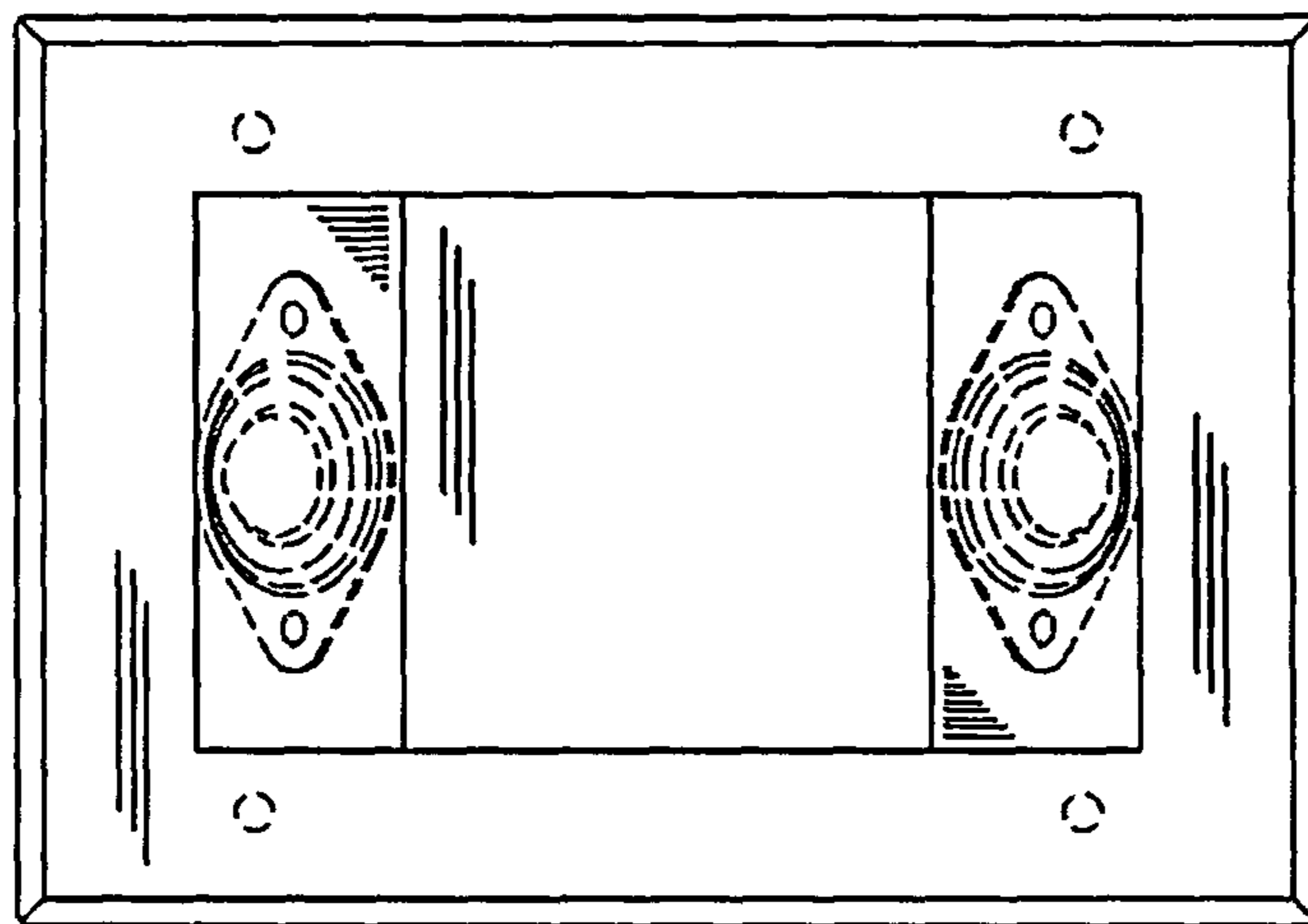


FIG. 5