



US00D701392S

(12) **United States Design Patent**  
**Lee**

(10) **Patent No.:** **US D701,392 S**  
(45) **Date of Patent:** **\*\* Mar. 25, 2014**

(54) **CHAIR**

(71) Applicant: **Justin Lee**, Houston, TX (US)

(72) Inventor: **Justin Lee**, Houston, TX (US)

(\*\*) Term: **14 Years**

(21) Appl. No.: **29/455,694**

(22) Filed: **May 23, 2013**

(51) **LOC (10) Cl.** ..... **06-01**

(52) **U.S. Cl.**  
USPC ..... **D6/369**

(58) **Field of Classification Search**  
USPC ..... D6/334–336, 348, 369, 370, 371–373,  
D6/374, 376, 379, 380, 709.19, 709.21,  
D6/716, 716.1, 716.2, 716.3, 716.4;  
297/271.5, 271.6, 411.43, 440.1,  
297/440.15, 445.1, 446.1, 447.4, 451.9,  
297/452.18, 452.63, 452.64

See application file for complete search history.

(56) **References Cited**

**U.S. PATENT DOCUMENTS**

103,973	A *	6/1870	Bulgin	297/447.4
117,012	A *	7/1871	Stockton	297/447.4
133,431	A *	11/1872	Gardner	297/271.6
133,555	A *	12/1872	Akers	297/447.4
RE9,647	E *	4/1881	Brittan	297/271.6
307,676	A *	11/1884	Nichlson	297/447.4
D80,737	S *	3/1930	Lehman	D6/370
D83,009	S *	1/1931	Ross	D6/370
D355,537	S *	2/1995	Geier	D6/370

D355,984	S *	3/1995	Geier	D6/370
D386,322	S *	11/1997	Maury	D6/370
D396,359	S *	7/1998	Jiang	D6/370
D486,658	S *	2/2004	Weaver	D6/370
D540,054	S *	4/2007	Doughty	D6/369
D566,411	S *	4/2008	Lee	D6/370
D580,197	S *	11/2008	Lee	D6/716
D597,325	S *	8/2009	Lee	D6/348
D679,105	S *	4/2013	Lee	D6/348

\* cited by examiner

*Primary Examiner* — Mimosa De

(74) *Attorney, Agent, or Firm* — Egbert Law Offices, PLLC

(57) **CLAIM**

The ornamental design for a chair, as shown and described.

**DESCRIPTION**

FIG. 1 is a perspective view of the chair of a first embodiment showing my design.

FIG. 2 is a front view thereof;

FIG. 3 is a rear view thereof;

FIG. 4 is a side view thereof;

FIG. 5 is an opposite side view of the chair in FIG. 8 thereof;

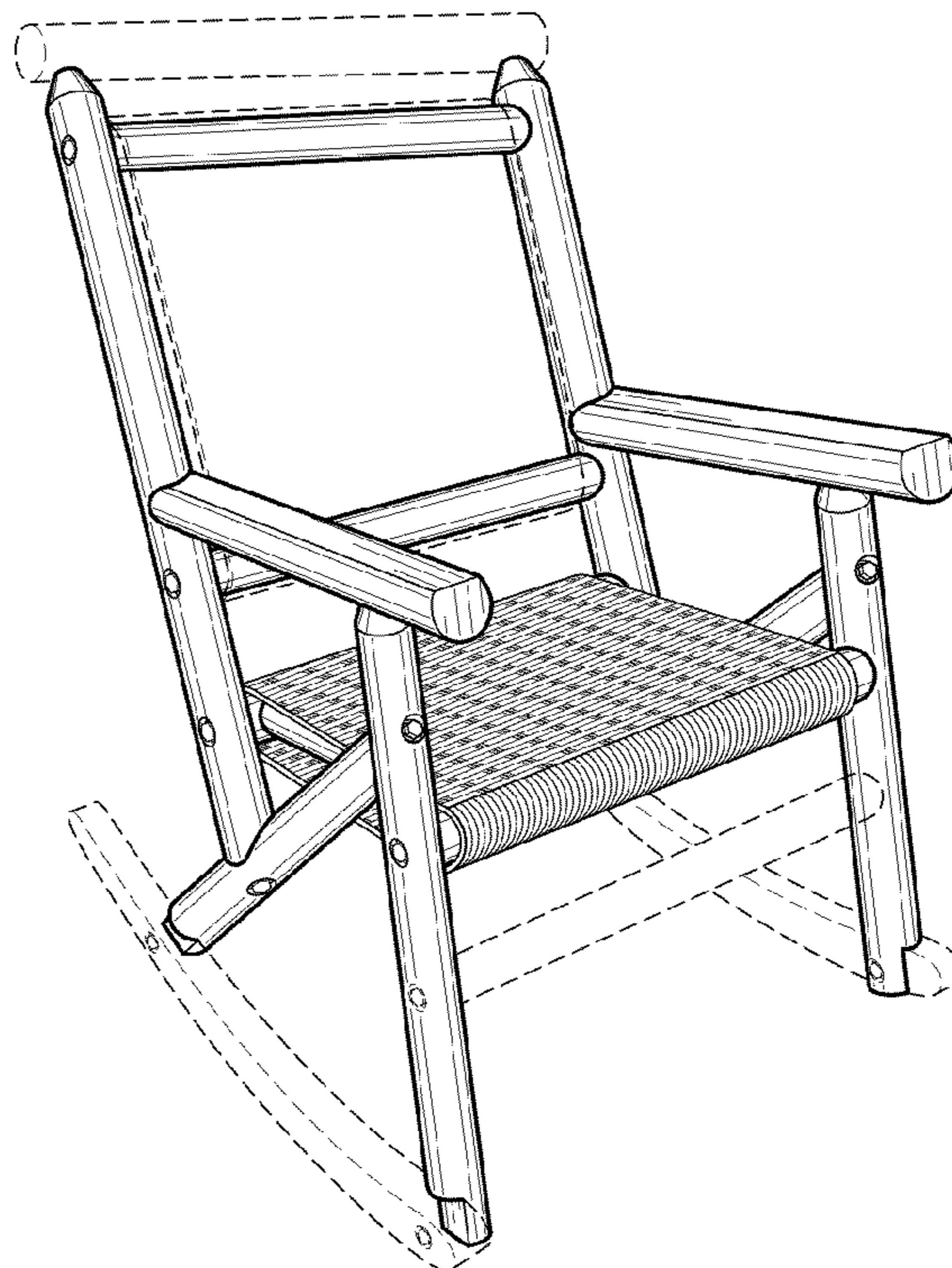
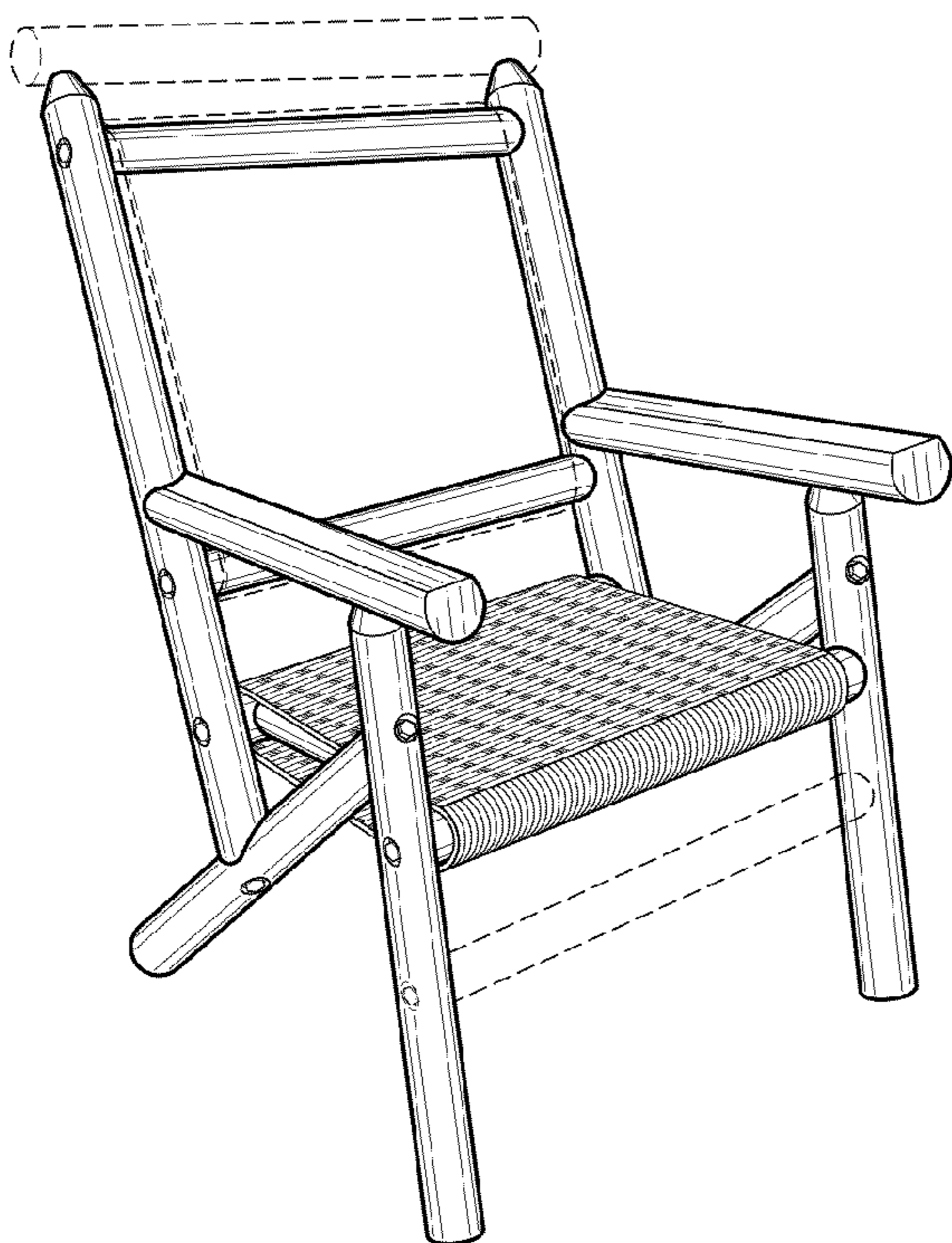
FIG. 6 is a top view thereof;

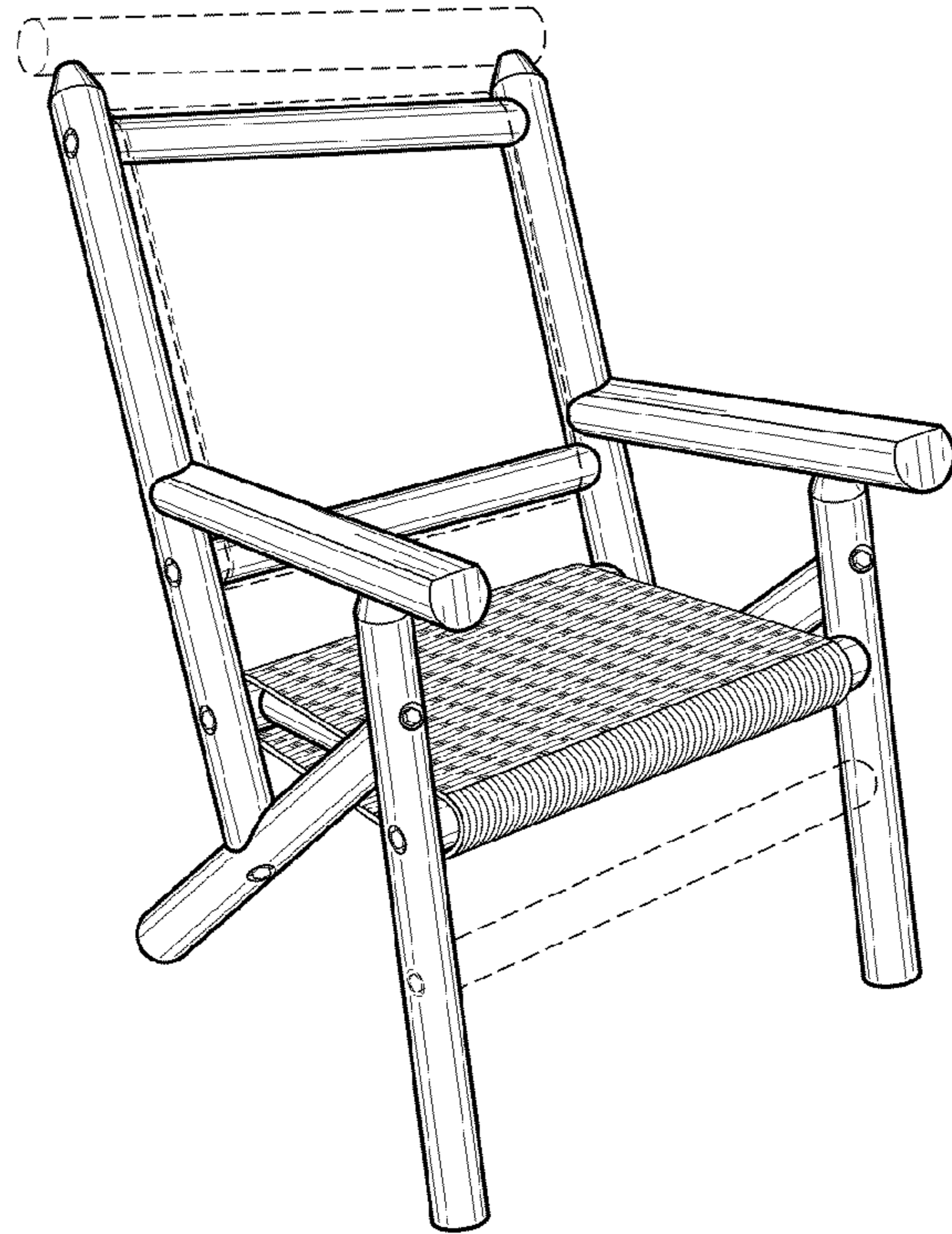
FIG. 7 is a bottom view thereof; and,

FIG. 8 is a perspective view of the chair of a second embodiment in a rocker configuration.

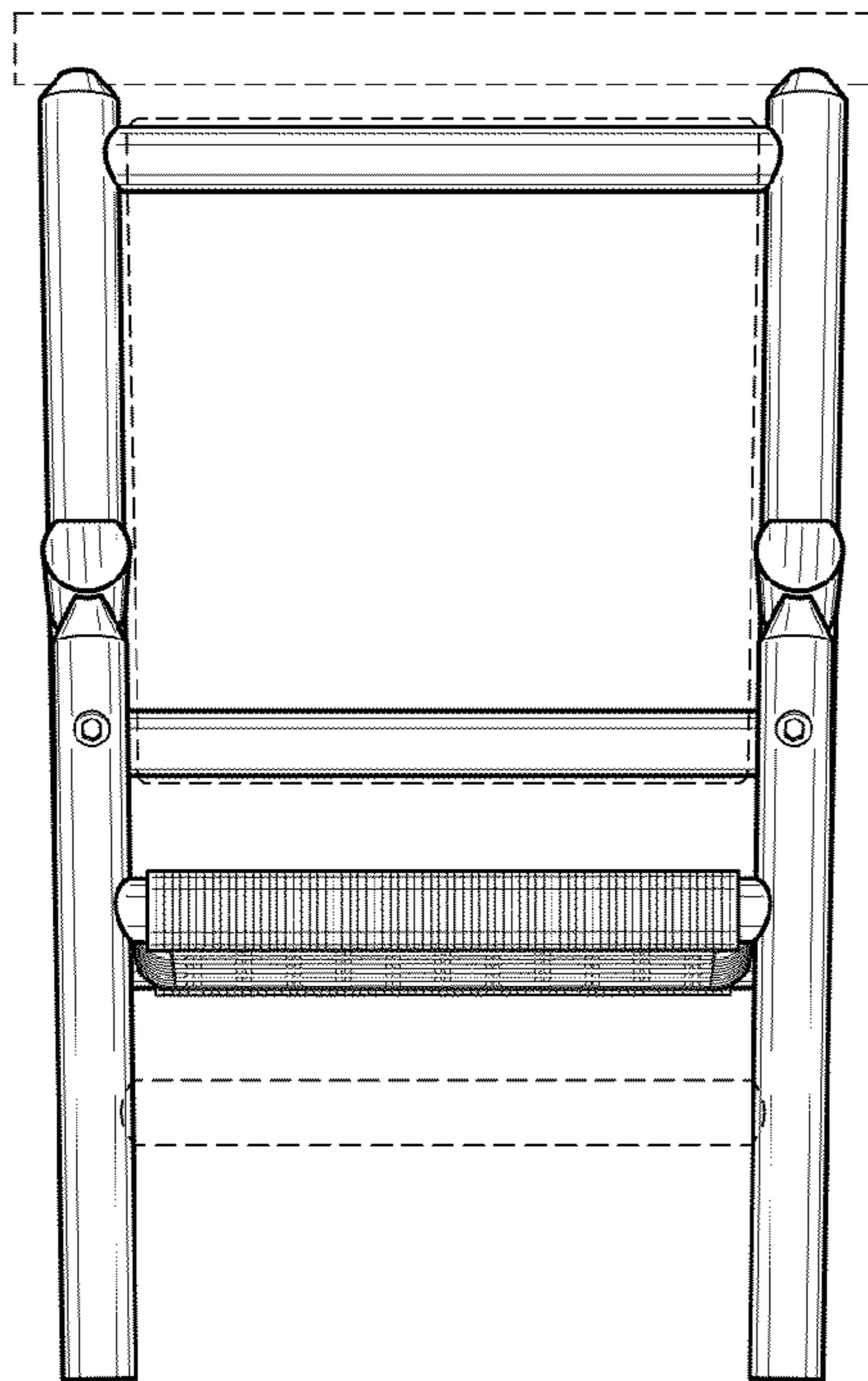
The chair has a rattan or faux rattan surface thereon. The features presented in broken lines are for environment purposes only and form no part of the claimed design.

**1 Claim, 3 Drawing Sheets**

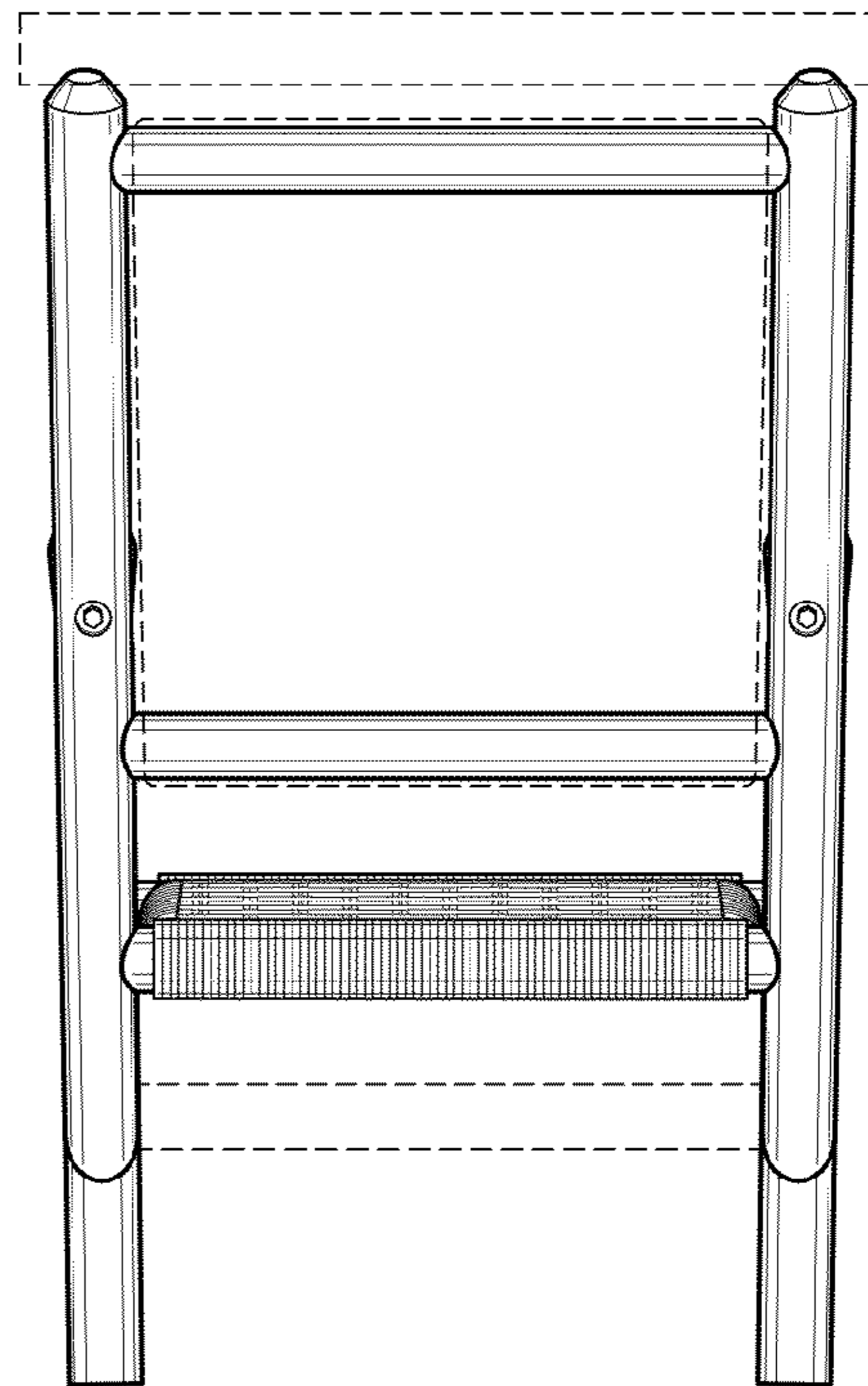




*FIG. 1*



*FIG. 2*



*FIG. 3*



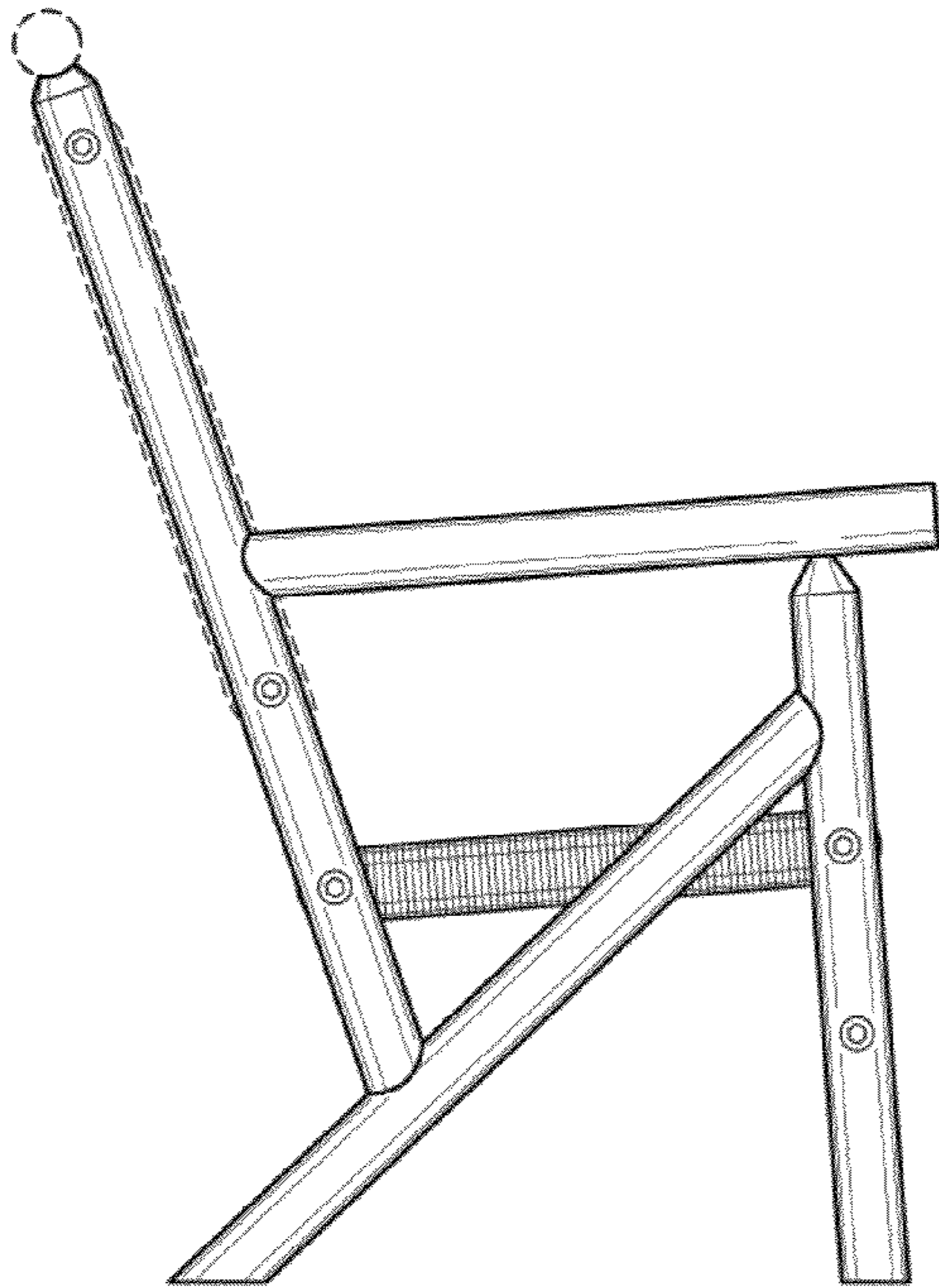


FIG. 4

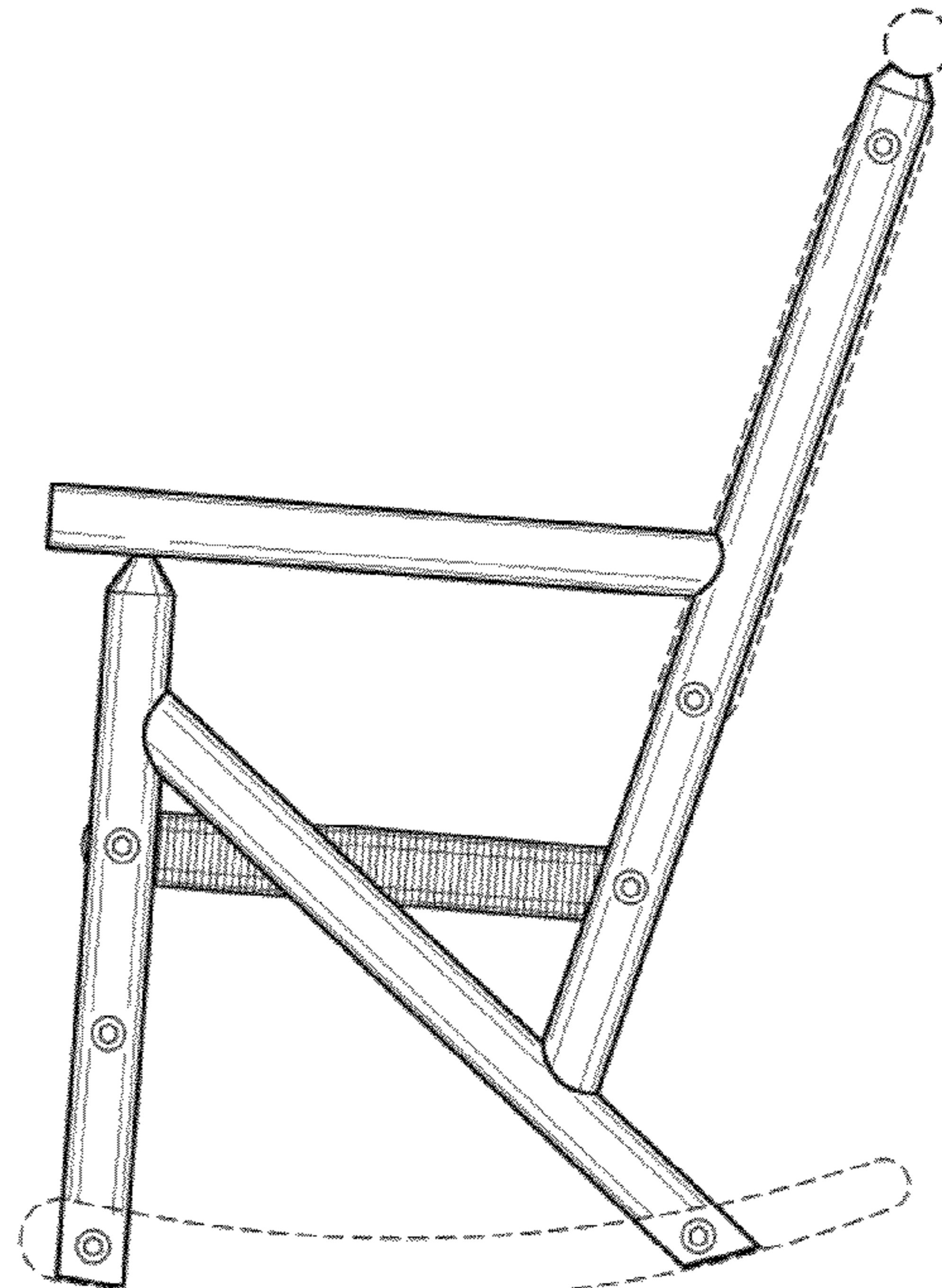


FIG. 5

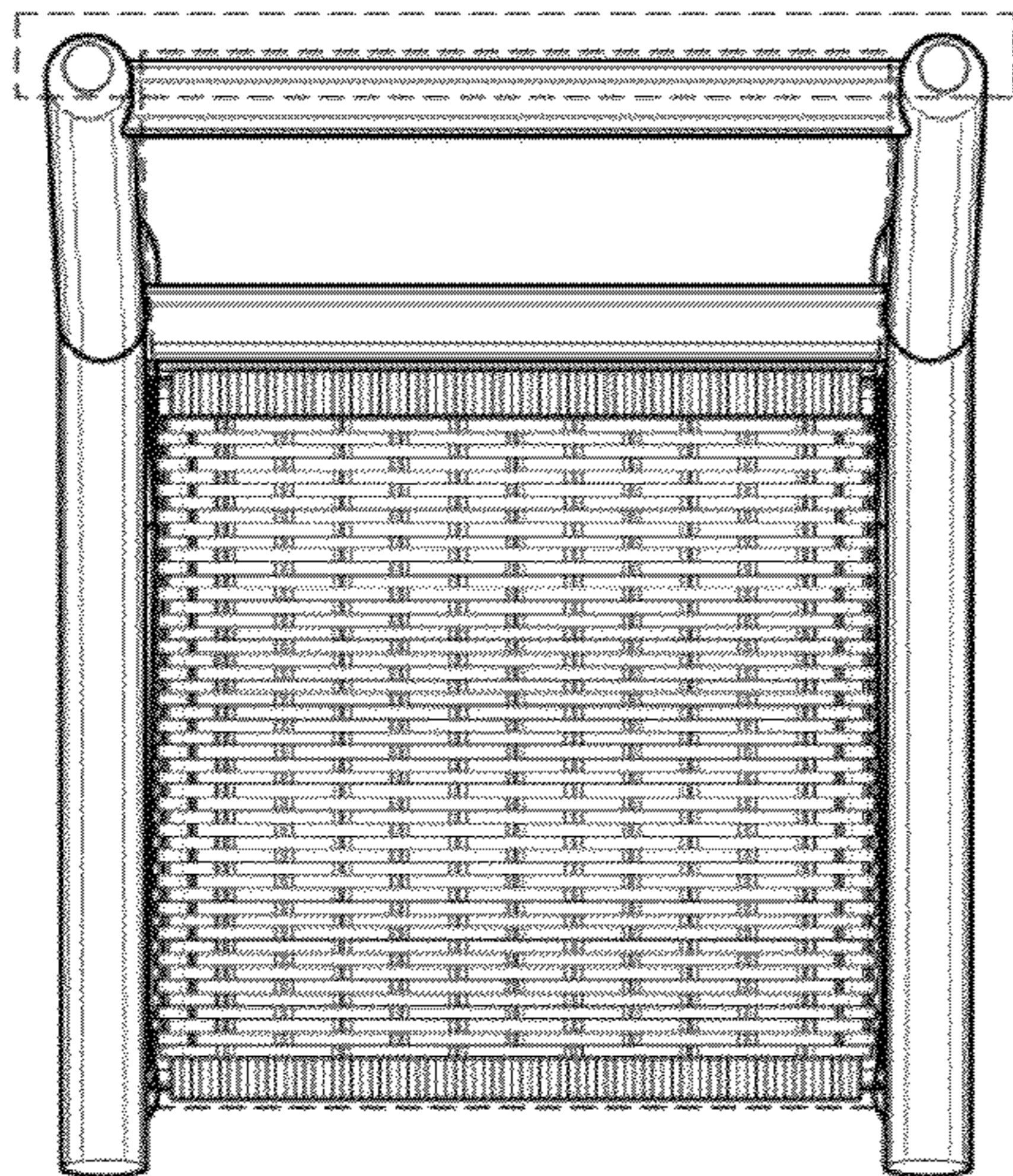


FIG. 6

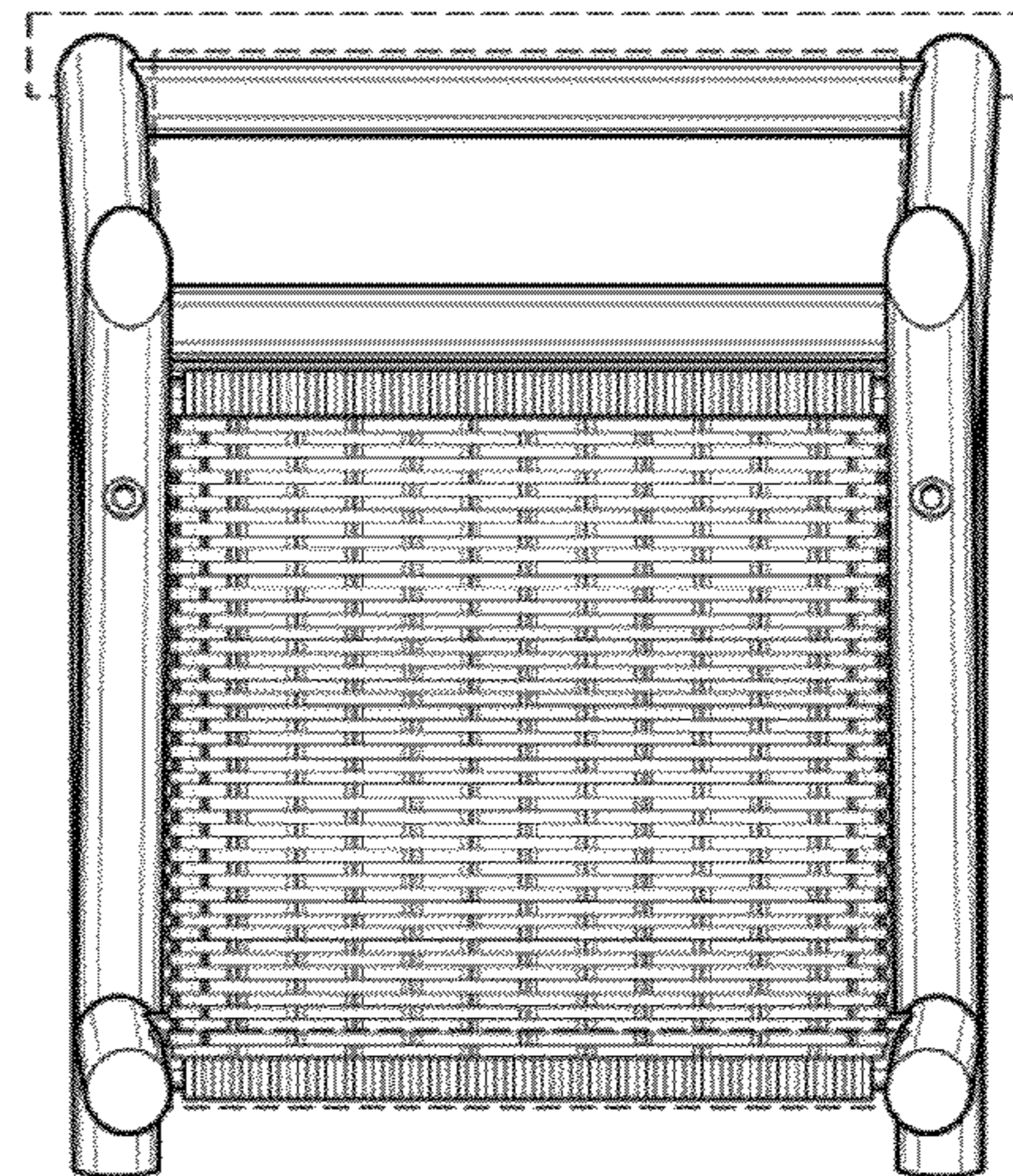
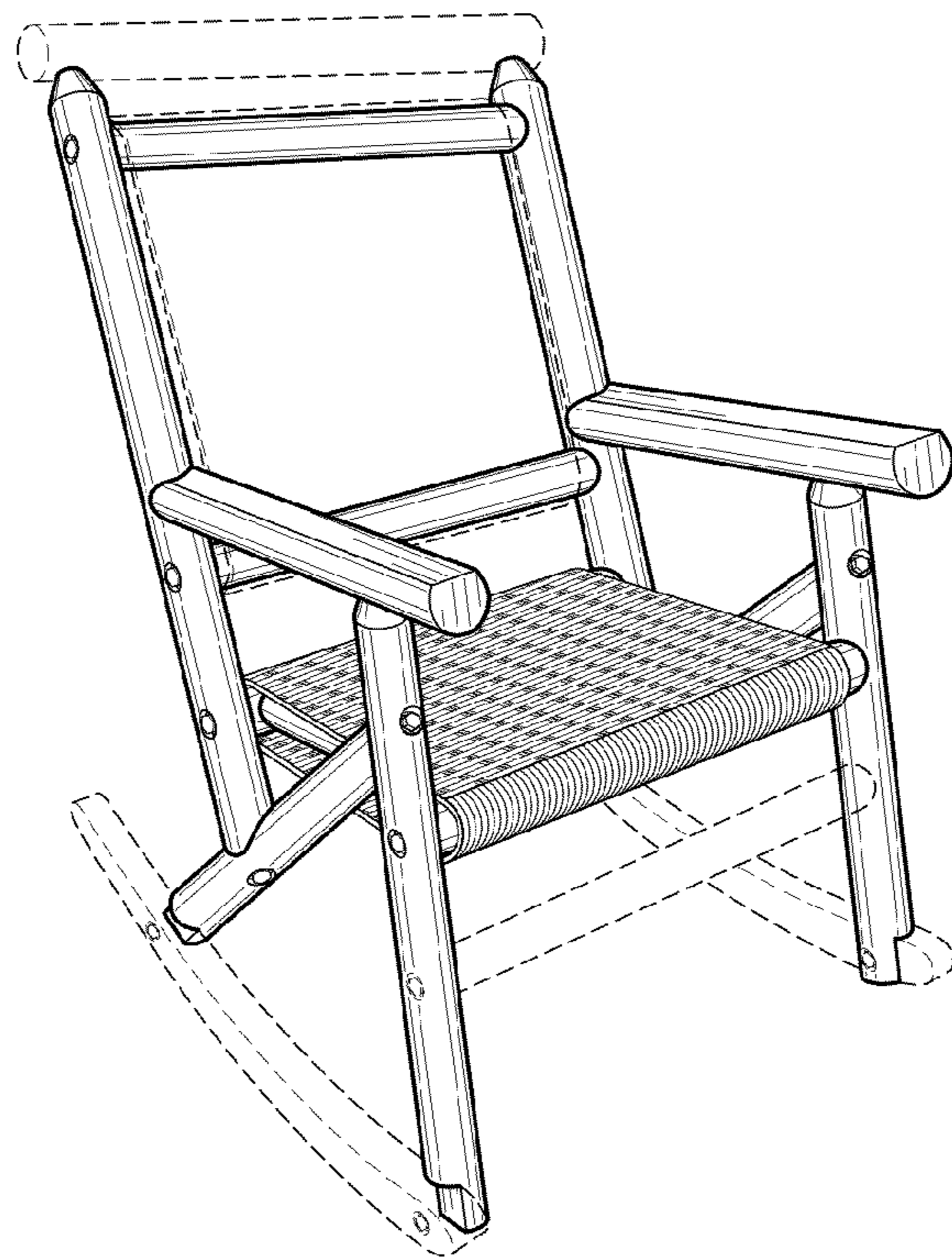


FIG. 7



*FIG. 8*