



US00D701391S

(12) **United States Design Patent**
Hoell et al.

(10) **Patent No.:** **US D701,391 S**
(45) **Date of Patent:** **** Mar. 25, 2014**

(54) **SEAT ASSEMBLY**
(75) Inventors: **Eric W. Hoell**, Sugar Hill, GA (US);
Stephen M. Kendig, Cumming, GA (US)
(73) Assignee: **SoloHealth, Inc.**, Duluth, GA (US)
(**) Term: **14 Years**
(21) Appl. No.: **29/424,092**

D548,497 S * 8/2007 Relling D6/492
D549,916 S * 8/2007 Skalka D34/1
D552,875 S 10/2007 Collins et al.
D576,505 S 9/2008 Collins et al.
D579,686 S 11/2008 Collins et al.
D594,621 S * 6/2009 Tuncel D34/1
2009/0240115 A1 9/2009 Bluth
2009/0240116 A1 9/2009 Bluth
2009/0240524 A1 9/2009 Bluth
2009/0240527 A1 9/2009 Bluth
2009/0240528 A1 9/2009 Bluth
2009/0240702 A1 9/2009 Bluth
2009/0241177 A1 9/2009 Bluth

(22) Filed: **Jun. 7, 2012**
(51) **LOC (10) Cl.** **06-01**
(52) **U.S. Cl.**
USPC **D6/349**
(58) **Field of Classification Search**
USPC D6/330, 337, 341, 346, 349-355, 357,
D6/362, 364-373, 376, 377, 381, 492, 645,
D6/656, 658, 665, 674, 675.5, 676, 690,
D6/691, 694, 704, 705, 707, 707.19,
D6/716.1-716.6, 717, 717.2; 297/423.12,
297/423.13, 423.37, 461, 462, 115, 116,
297/135, 160-162

See application file for complete search history.

OTHER PUBLICATIONS

Related U.S. Appl. No. 13/905,179.

* cited by examiner

Primary Examiner — Susan Bennett Hattan
Assistant Examiner — Vy Koenig
(74) *Attorney, Agent, or Firm* — DLA Piper LLP (US)

(57) **CLAIM**
The ornamental design for a seat assembly, as shown and described.

(56) **References Cited**

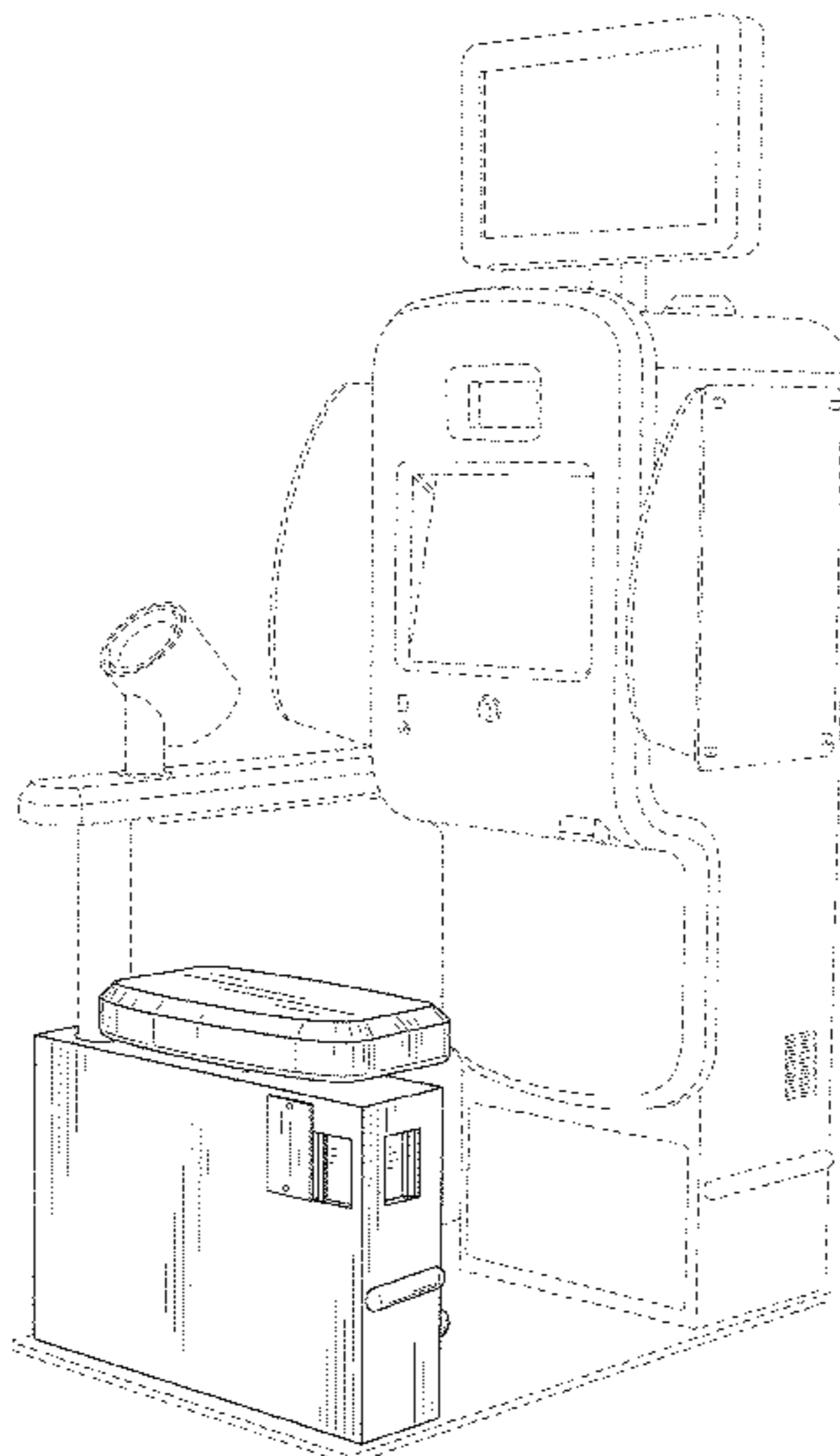
U.S. PATENT DOCUMENTS

D143,492 S * 1/1946 Karp D6/364
D151,196 S * 9/1948 Smith D6/492
D151,662 S * 11/1948 Smead D6/336
D182,644 S * 4/1958 Caldemeyer D6/492
D300,097 S * 3/1989 Cook D6/492
D341,259 S * 11/1993 Mele D6/364
D364,281 S * 11/1995 Eason D6/349
D379,876 S * 6/1997 Wood D6/355
6,403,897 B1 6/2002 Bluth et al.
6,428,124 B1 8/2002 Bluth et al.
6,511,435 B1 1/2003 Bluth et al.
6,692,436 B1 2/2004 Bluth et al.
D493,988 S * 8/2004 Lawson D6/501
D501,557 S 2/2005 Collins et al.

DESCRIPTION

FIG. 1 is a perspective view of a seat assembly showing our new design in a first position;
FIG. 2 is a rear elevation view thereof;
FIG. 3 is a front elevation view thereof;
FIG. 4 is a side elevation view thereof;
FIG. 5 is a side elevation view thereof;
FIG. 6 is a top plan view thereof;
FIG. 7 is a bottom plan view thereof; and,
FIG. 8 is a perspective view of a seat assembly in a second position.
Broken line illustration of environmental structure in the drawings forms no part of the claimed design.

1 Claim, 5 Drawing Sheets



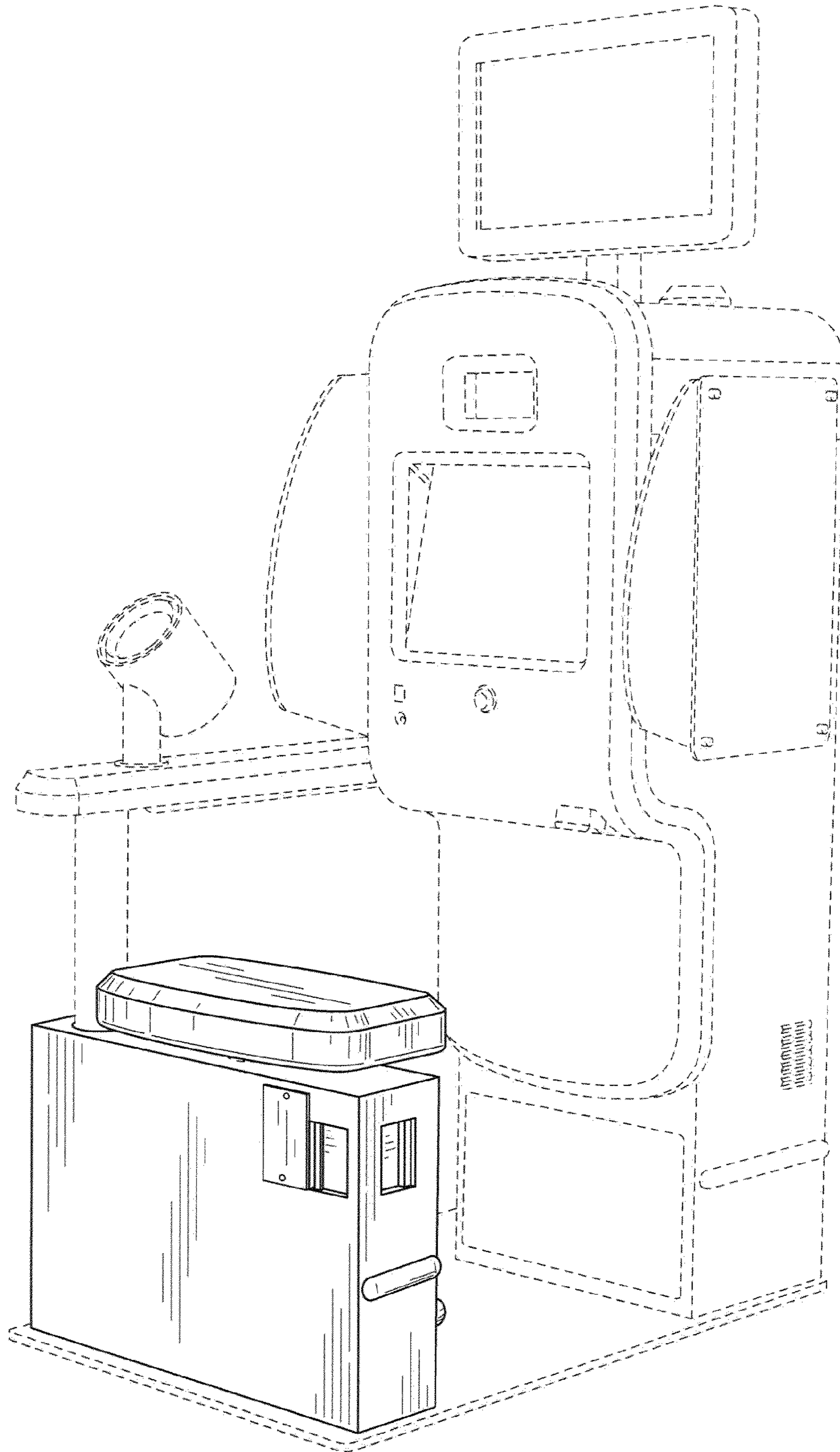


FIG. 1

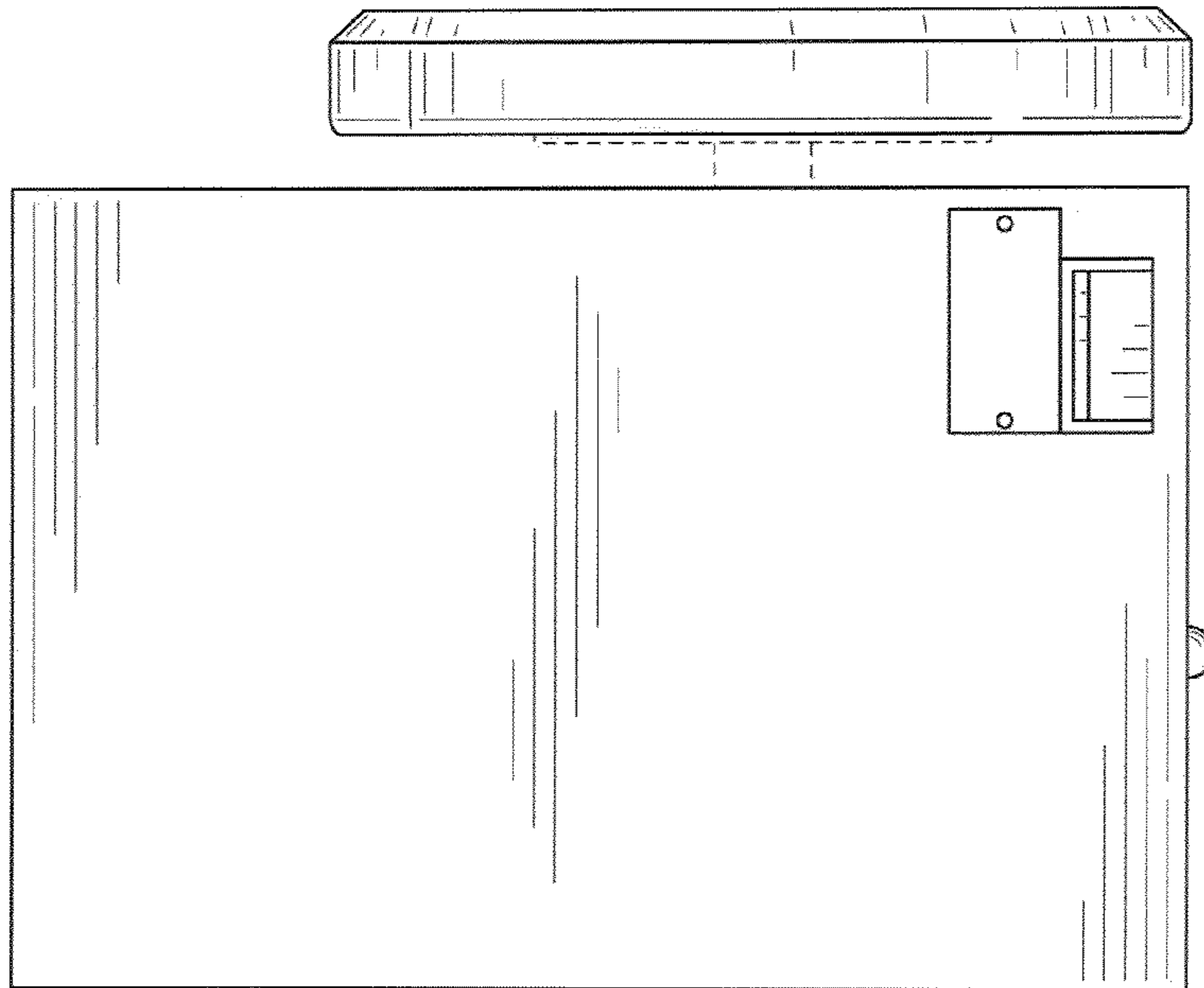


FIG. 2

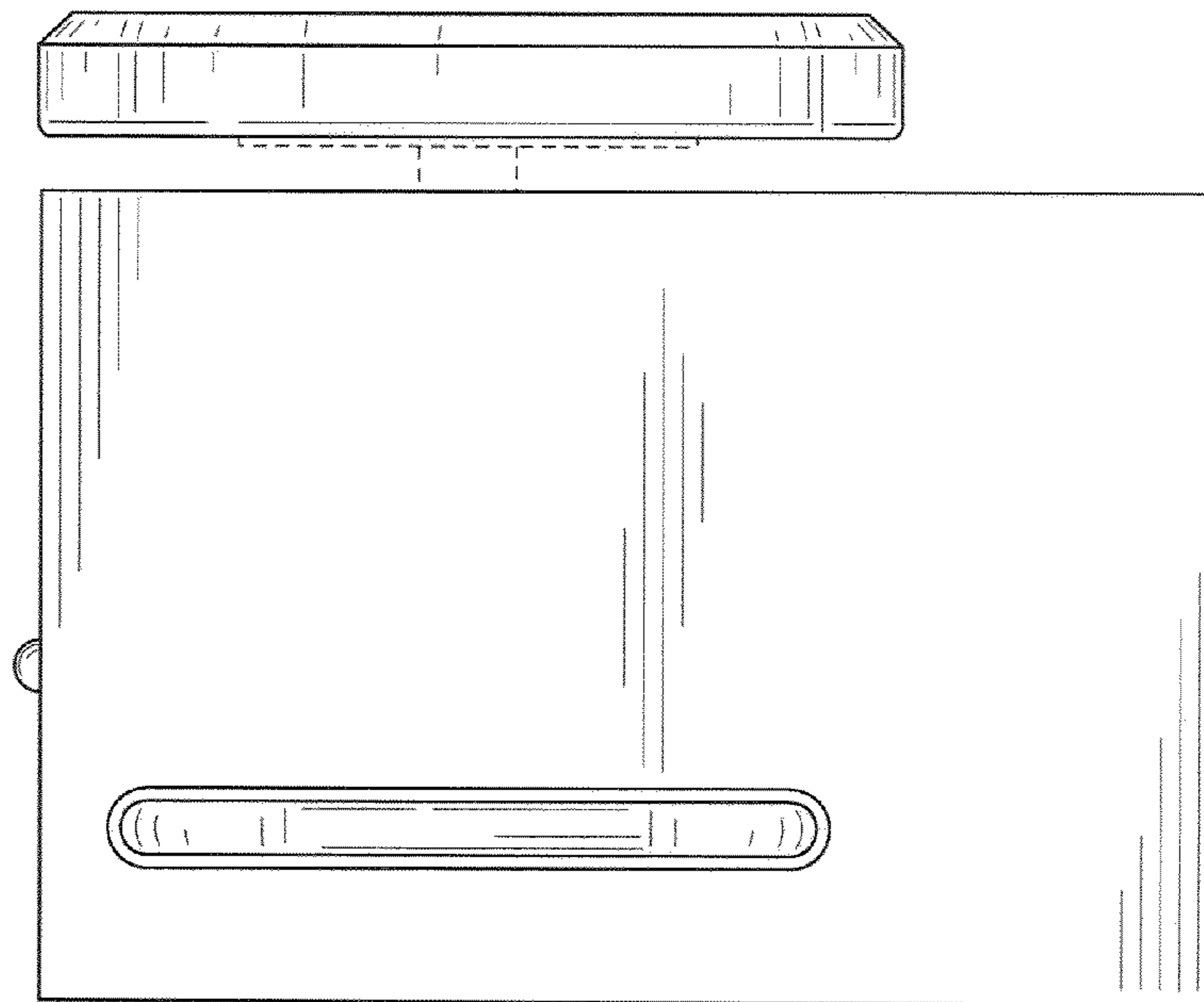


FIG. 3

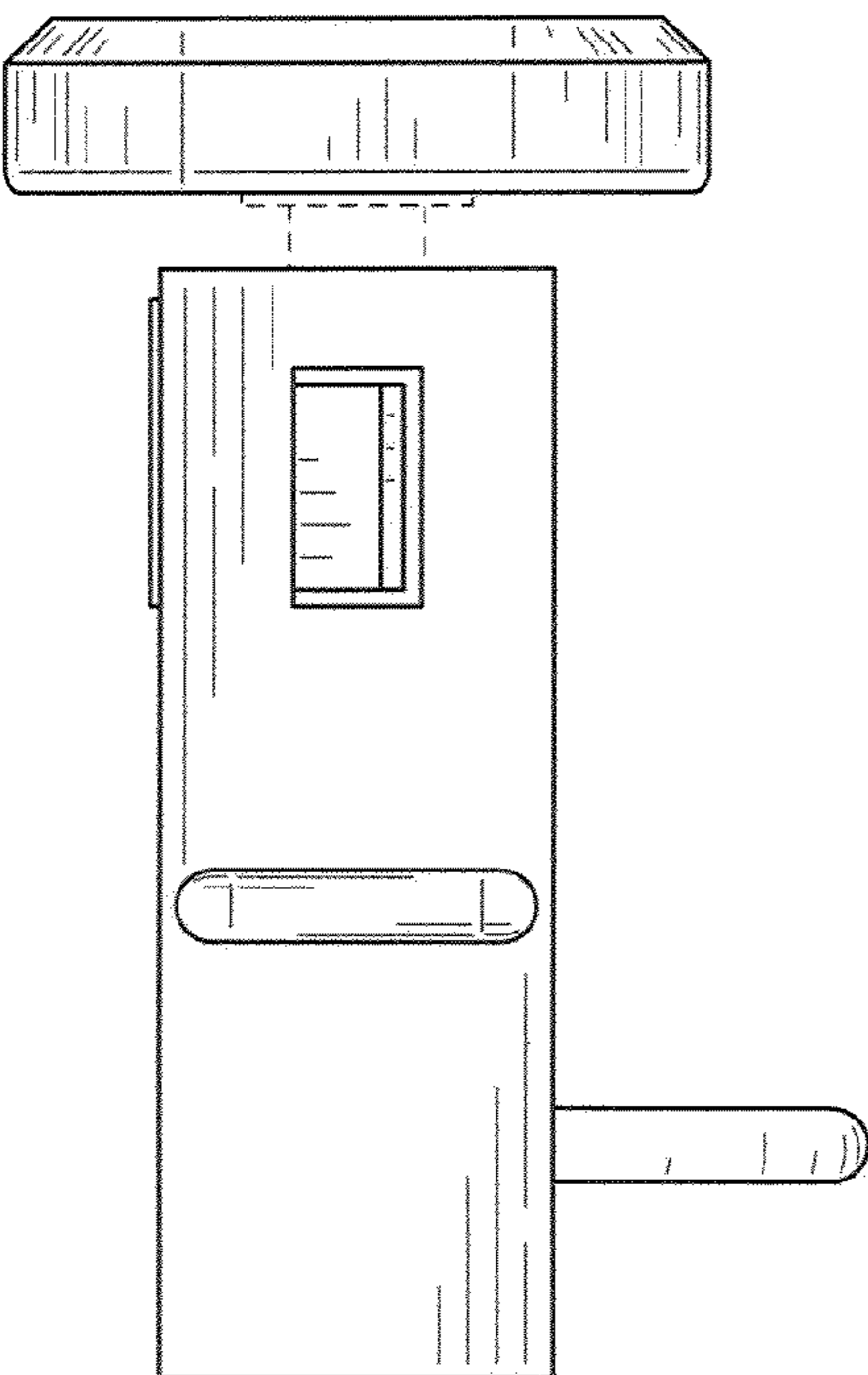


FIG. 4

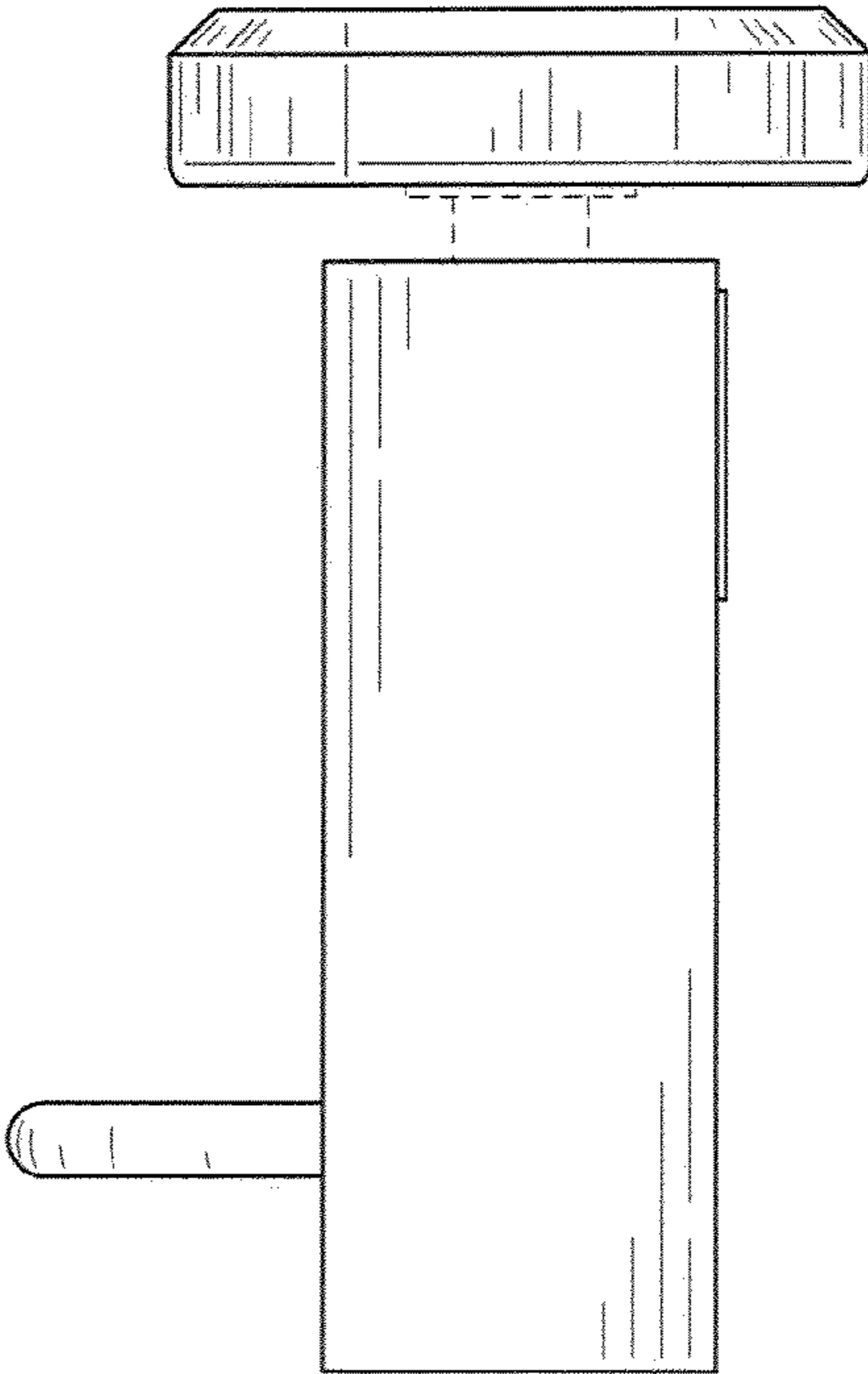


FIG. 5

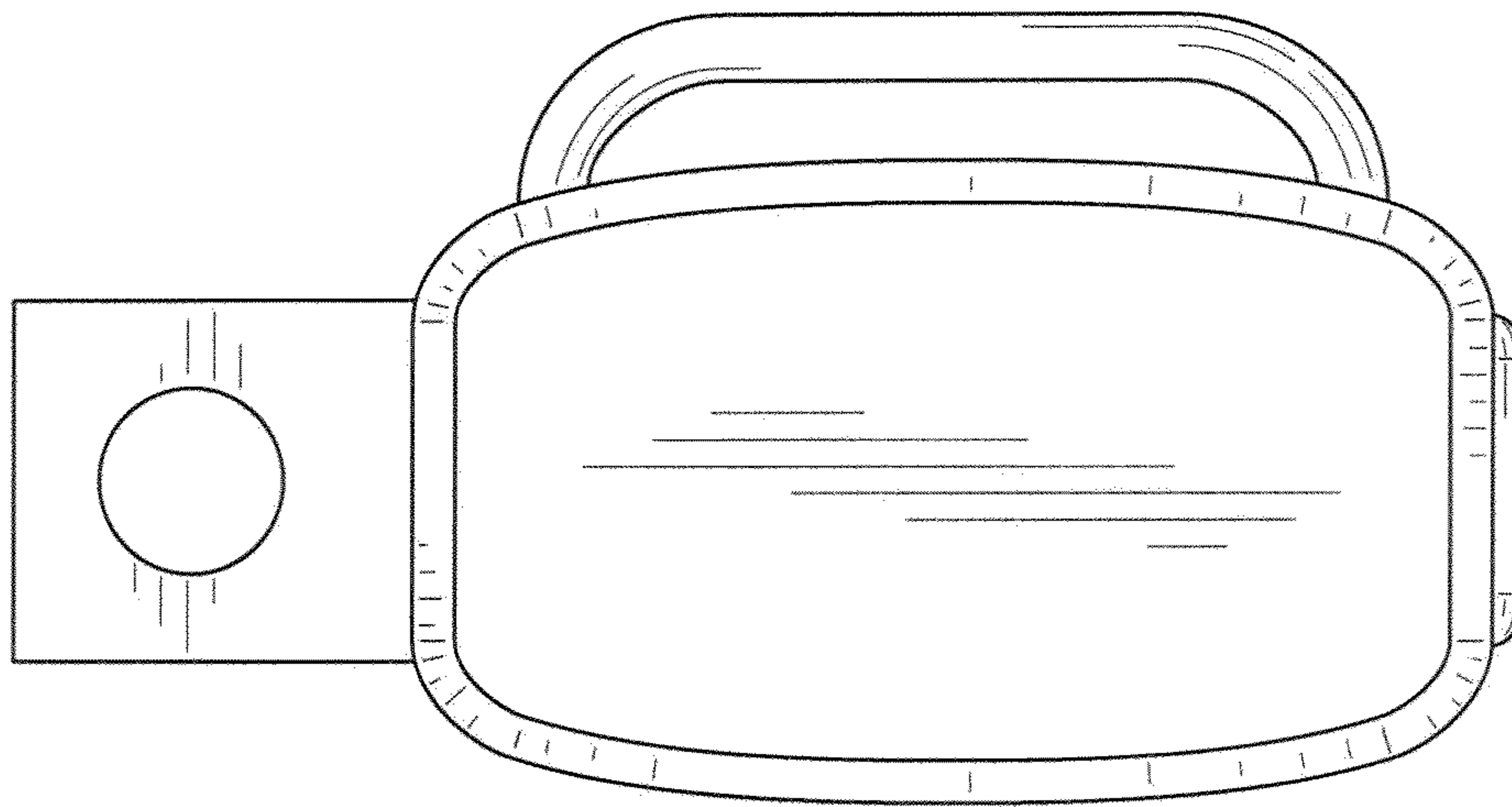


FIG. 6

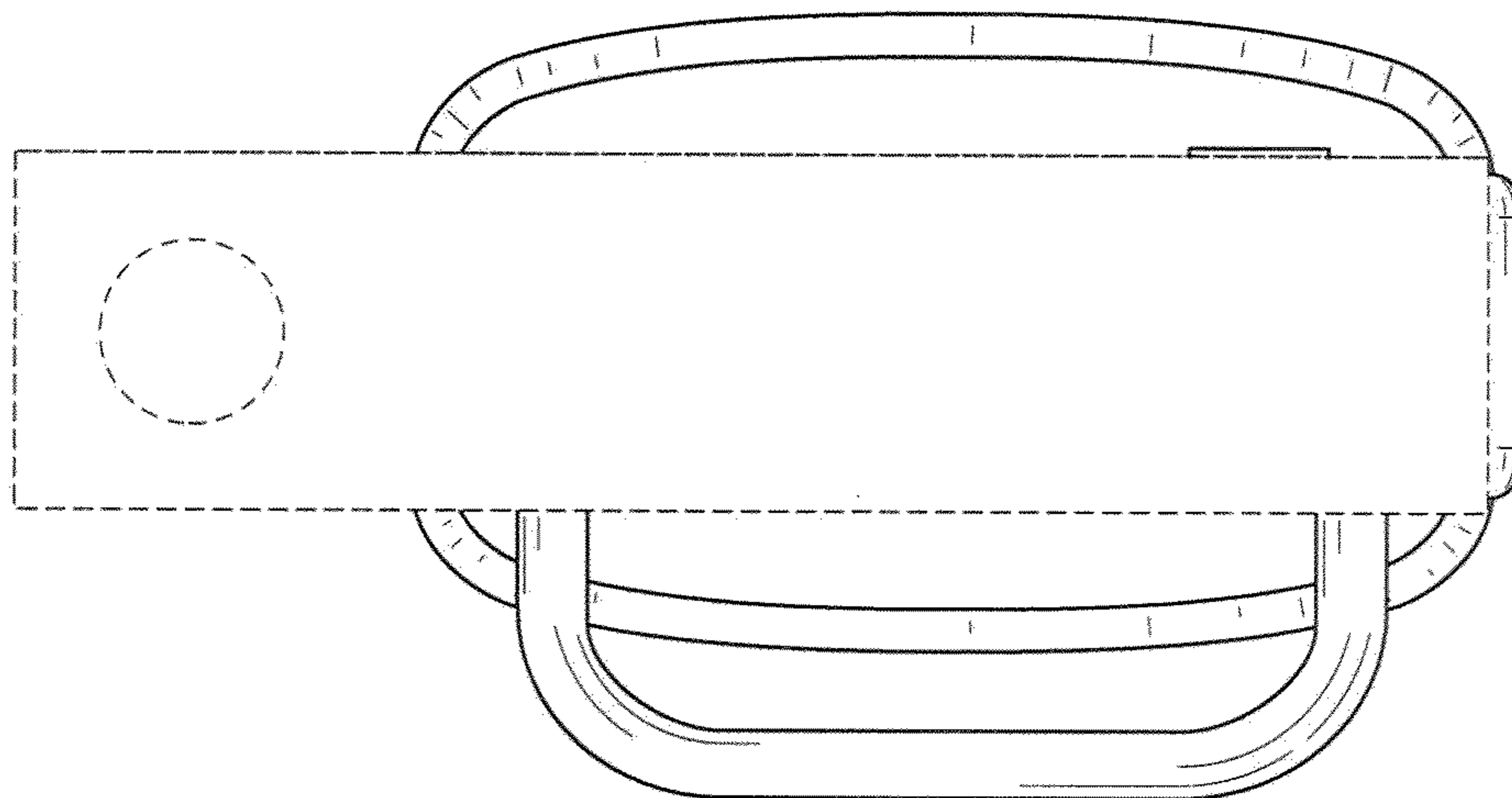


FIG. 7

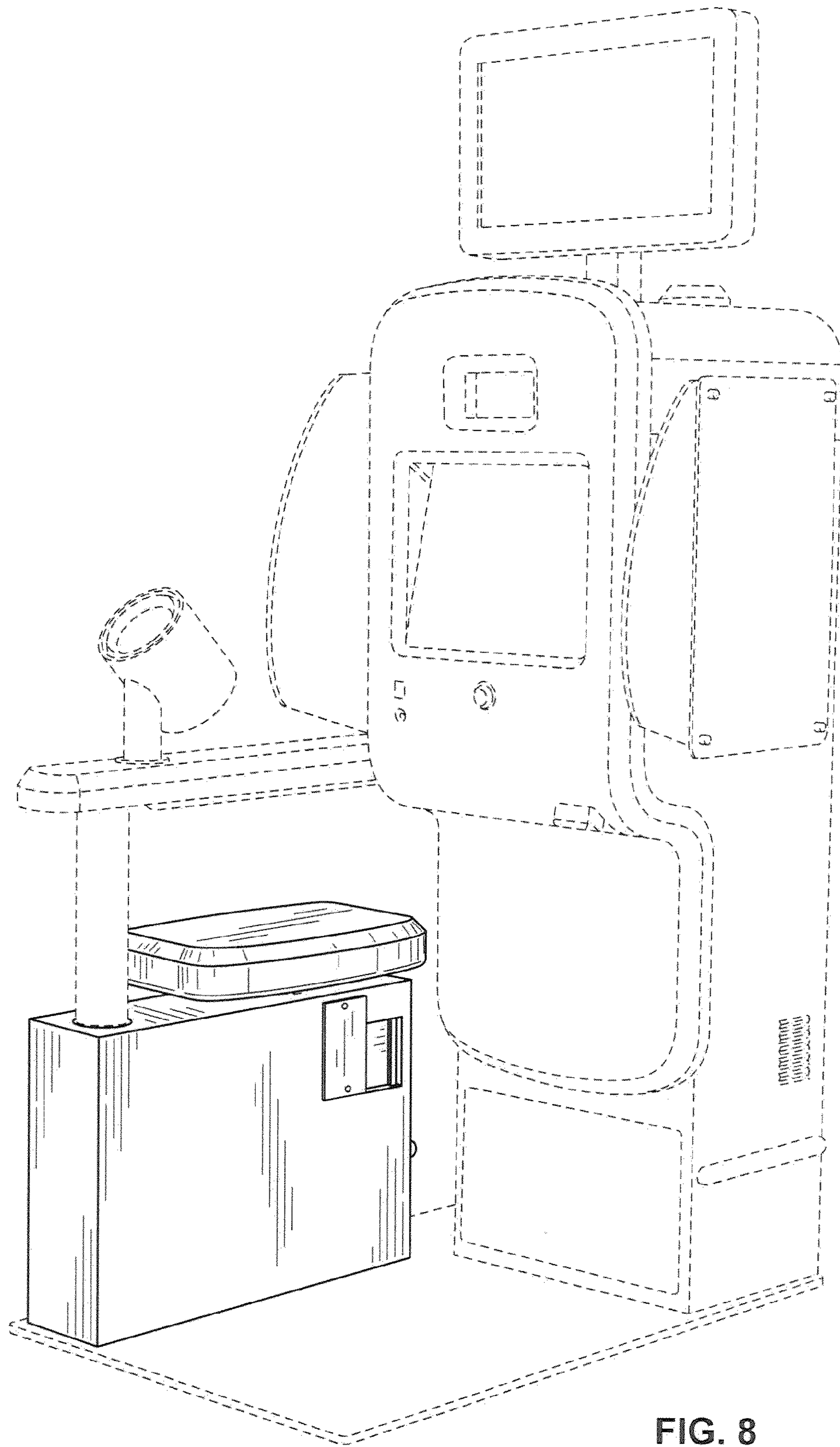


FIG. 8