



US00D701377S

(12) **United States Design Patent**
Spring

(10) **Patent No.:** **US D701,377 S**
(45) **Date of Patent:** **** Mar. 25, 2014**

- (54) **FOOTWEAR**
- (71) Applicant: **Sorel Corporation**, Portland, OR (US)
- (72) Inventor: **Angie Spring**, Portland, OR (US)
- (73) Assignee: **Sorel Corporation**, Portland, OR (US)
- (**) Term: **14 Years**
- (21) Appl. No.: **29/470,311**
- (22) Filed: **Oct. 18, 2013**
- (51) **LOC (10) Cl.** **02-04**
- (52) **U.S. Cl.**
USPC **D2/912**
- (58) **Field of Classification Search**
USPC D2/896, 900, 909-911, 920, 943, 946,
D2/969, 970, 974; 36/83, 1.5, 2 R, 109, 3 A,
36/7.1 R, 45, 52, 112, 100
See application file for complete search history.

- D637,385 S * 5/2011 Spring D2/970
- D639,544 S * 6/2011 Van Zyll De Jong et al. . D2/970
- D641,147 S * 7/2011 Adams D2/970
- D659,975 S * 5/2012 Funck D2/970

* cited by examiner

Primary Examiner — Robert M Spear
Assistant Examiner — Rashida C McCoy
(74) *Attorney, Agent, or Firm* — Schwabe, Williamson & Wyatt, P.C.

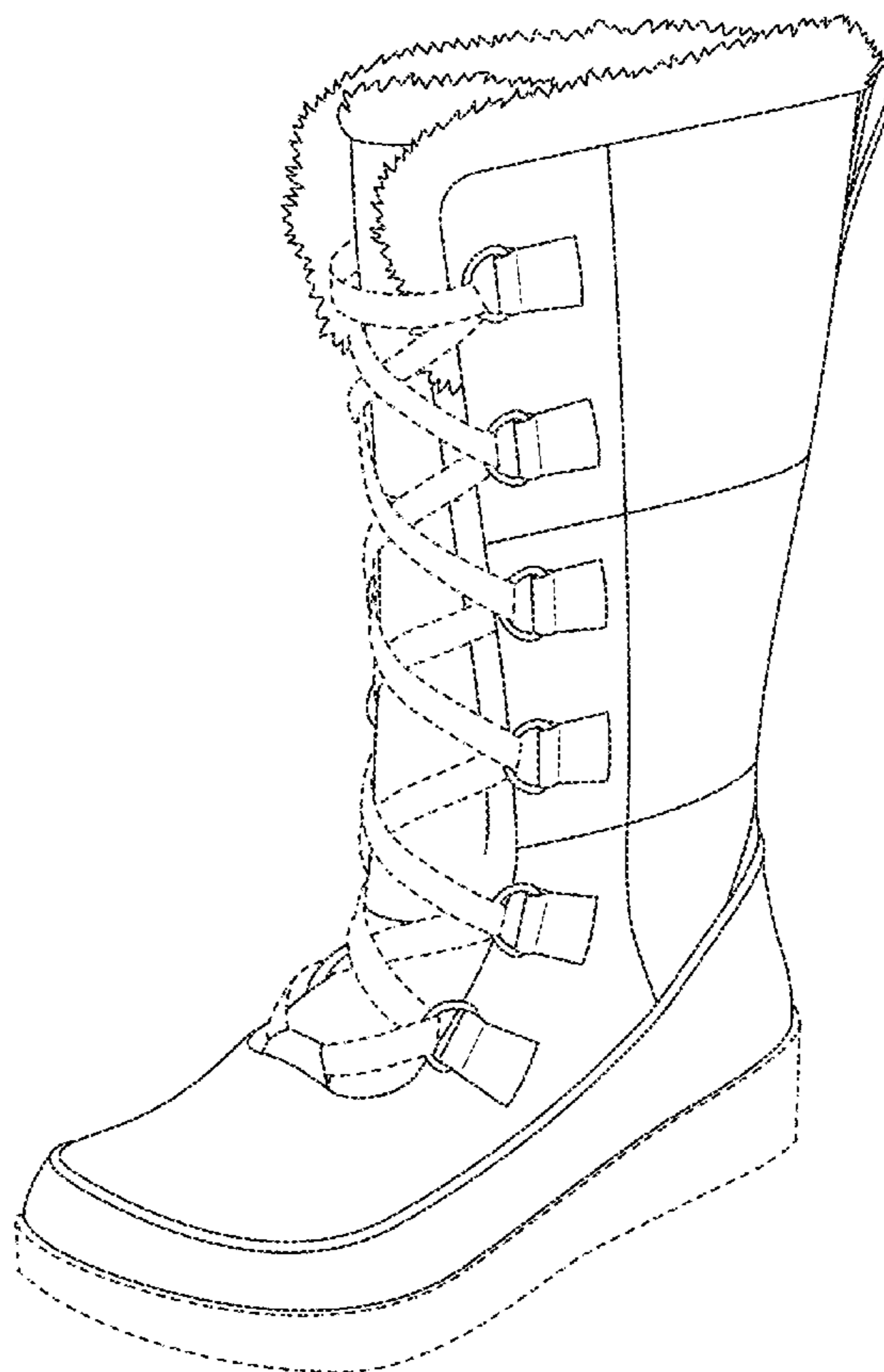
(57) **CLAIM**
I claim the ornamental design for footwear, as shown and described.

DESCRIPTION

FIG. 1 is a perspective view of footwear, showing my new design;
FIG. 2 is a front view thereof;
FIG. 3 is a back view thereof;
FIG. 4 is a left side view thereof;
FIG. 5 is a right side view thereof;
FIG. 6 is a top view thereof; and,
FIG. 7 is a bottom view thereof.
The dashed lines are included for illustrating environmental structure and form no part of the claimed design.

- (56) **References Cited**
U.S. PATENT DOCUMENTS
D269,731 S * 7/1983 Mattiuzzo D2/912
6,952,891 B2 * 10/2005 Hirayama 36/50.5
D524,523 S * 7/2006 Le D2/970
D634,521 S * 3/2011 Adams D2/910

1 Claim, 7 Drawing Sheets



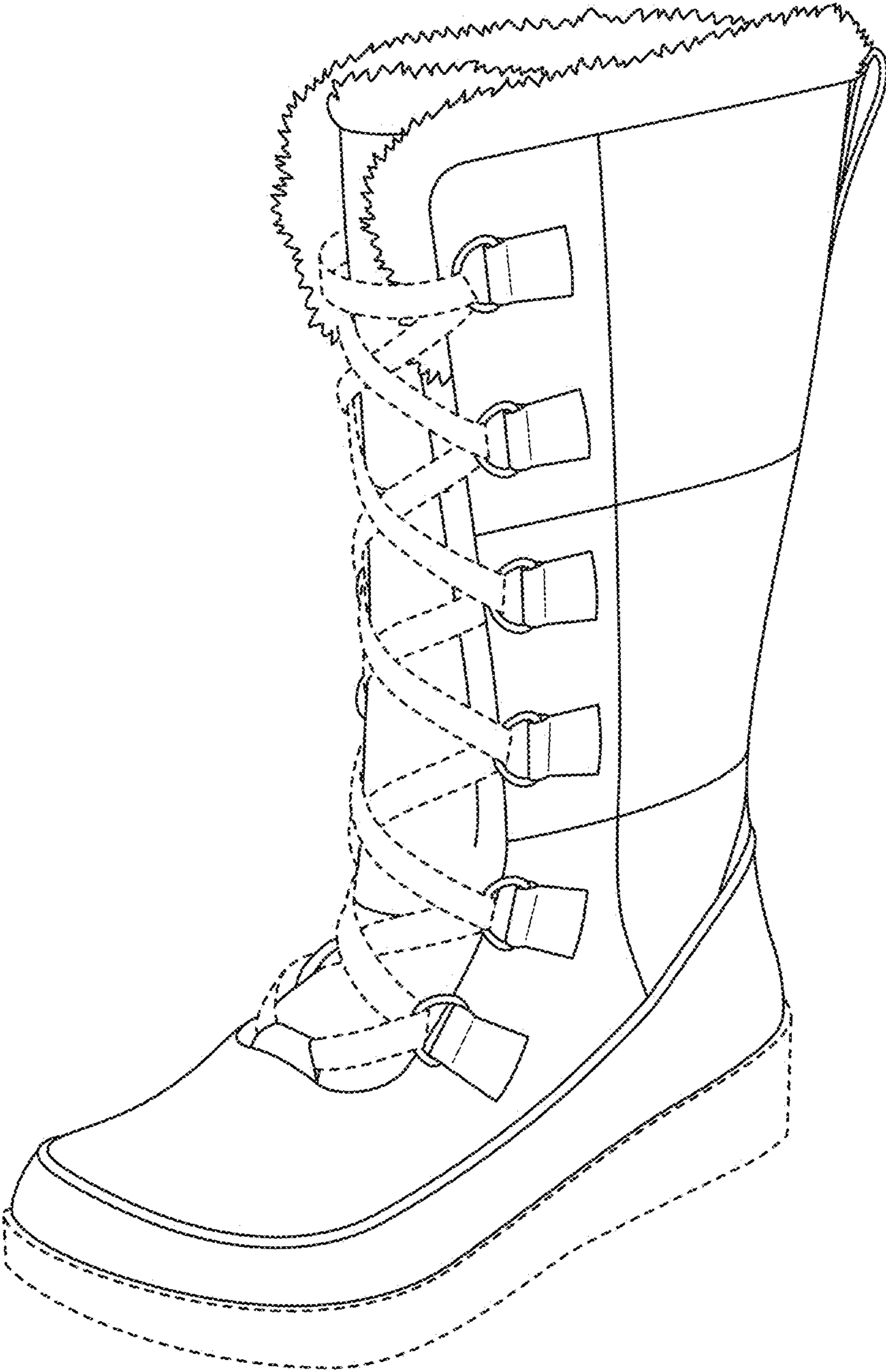


FIG. 1

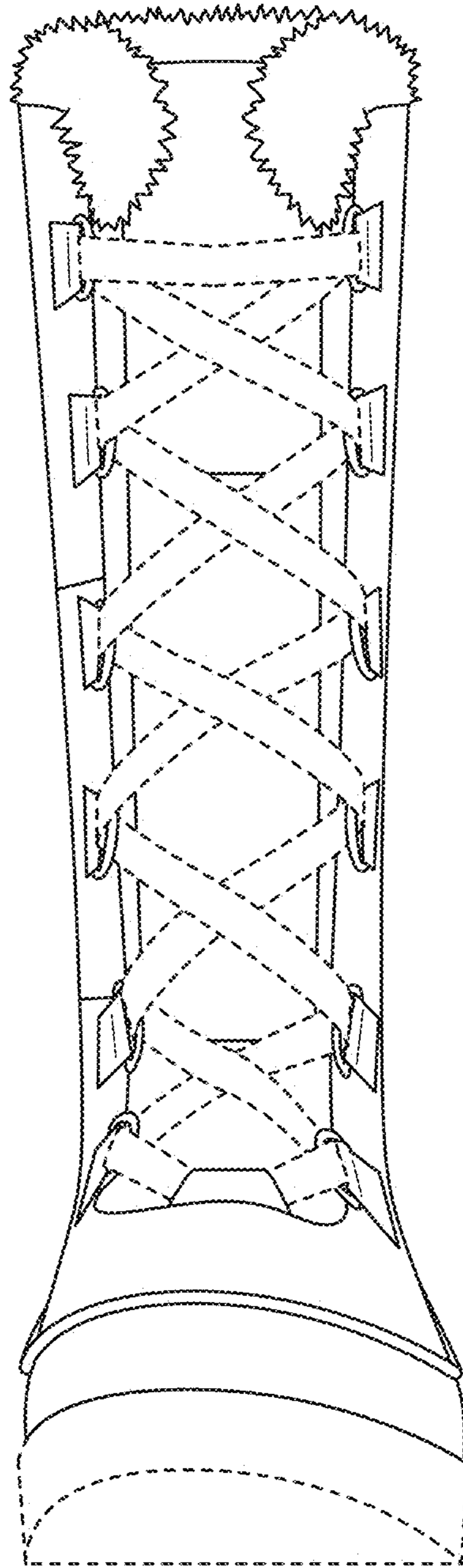


FIG. 2

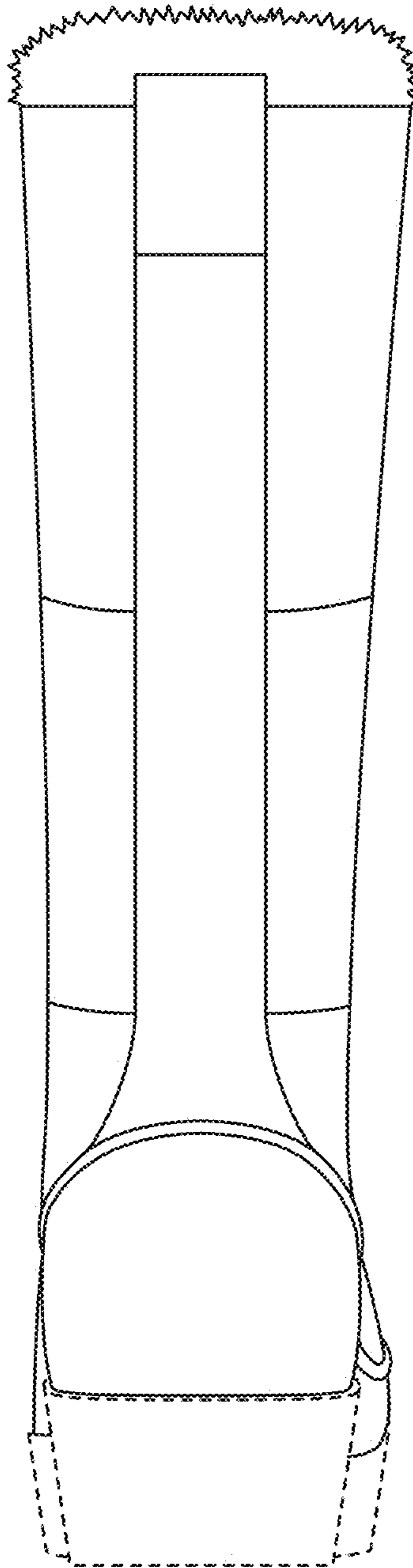


FIG. 3



FIG. 4



FIG. 5

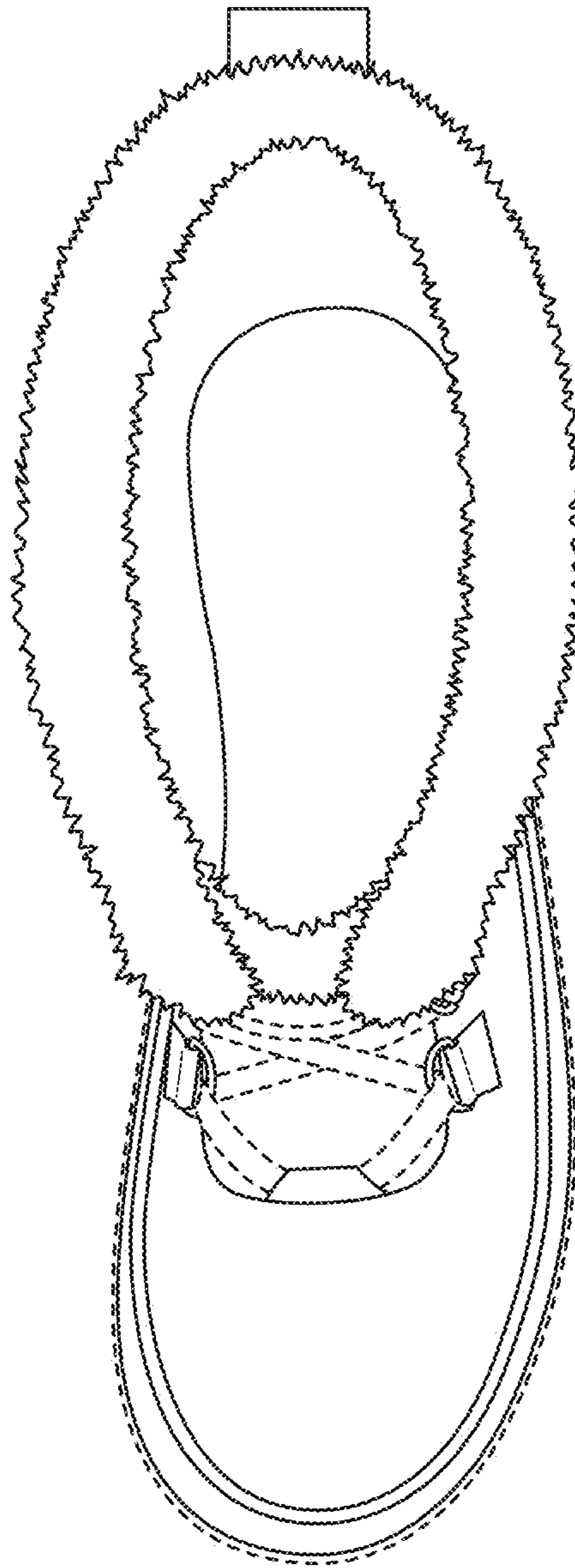


FIG. 6

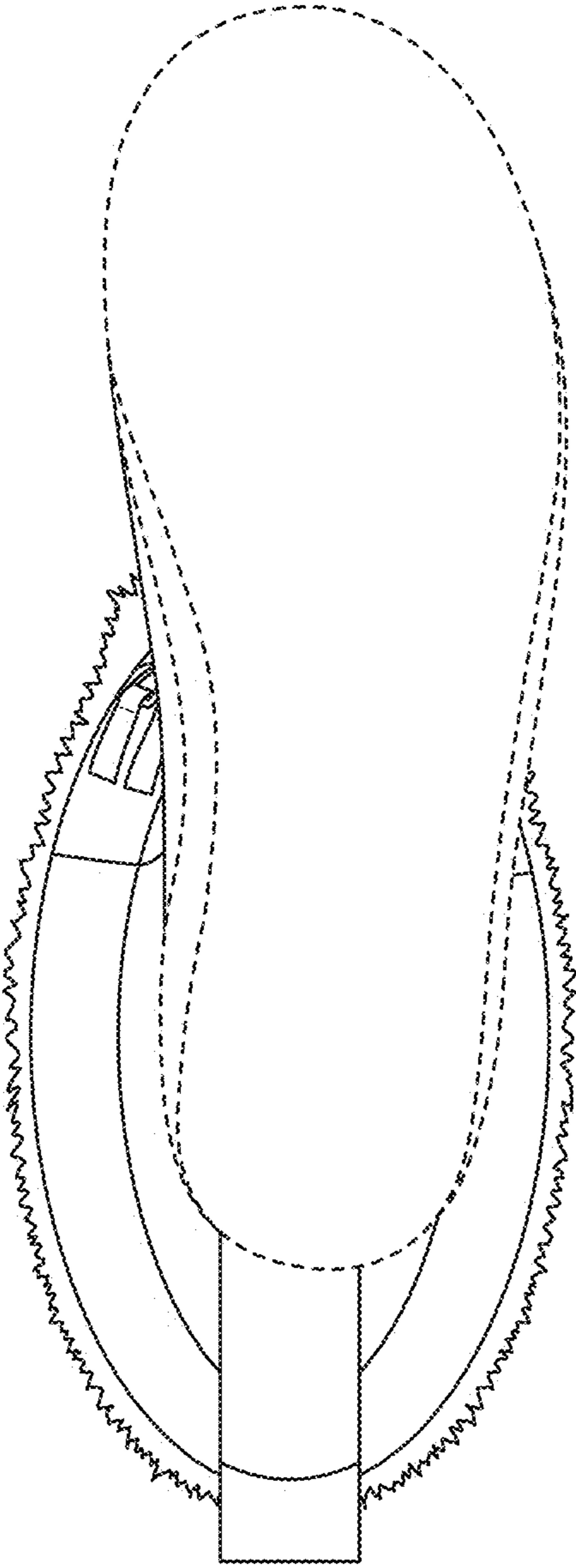


FIG. 7