



US00D701375S

(12) **United States Design Patent**  
**Spring**

(10) **Patent No.:** **US D701,375 S**  
(45) **Date of Patent:** **\*\* Mar. 25, 2014**

(54) **FOOTWEAR**

(71) Applicant: **Sorel Corporation**, Portland, OR (US)

(72) Inventor: **Angie Spring**, Portland, OR (US)

(73) Assignee: **Sorel Corporation**, Portland, OR (US)

(\*\*) Term: **14 Years**

(21) Appl. No.: **29/470,304**

(22) Filed: **Oct. 18, 2013**

(51) **LOC (10) Cl.** ..... **02-04**

(52) **U.S. Cl.**  
USPC ..... **D2/911**

(58) **Field of Classification Search**  
USPC ..... D2/896, 900, 909-911, 920, 943, 946,  
D2/969, 970, 974; 36/83, 1.5, 2 R, 109, 3 A,  
36/7.1 R, 45, 52, 112, 100  
See application file for complete search history.

(56) **References Cited**

**U.S. PATENT DOCUMENTS**

1,524,049 A \* 1/1925 Martin ..... 36/4  
D101,541 S \* 10/1936 Kroop ..... D2/910  
D106,649 S \* 10/1937 Casey ..... D2/911

2,190,802 A \* 2/1940 Powell ..... 36/3 A  
3,827,167 A \* 8/1974 Jones ..... 36/4  
D235,283 S \* 6/1975 Lee ..... D2/912  
D380,592 S \* 7/1997 Whittington ..... D2/910

\* cited by examiner

*Primary Examiner* — Robert M Spear

*Assistant Examiner* — Rashida C McCoy

(74) *Attorney, Agent, or Firm* — Schwabe, Williamson & Wyatt, P.C.

(57) **CLAIM**

I claim the ornamental design for footwear, as shown and described.

**DESCRIPTION**

FIG. 1 is a perspective view of footwear, showing my new design;

FIG. 2 is a left side view thereof;

FIG. 3 is a right side view thereof;

FIG. 4 is a front view thereof;

FIG. 5 is a back view thereof;

FIG. 6 is a top view thereof; and,

FIG. 7 is a bottom view thereof.

The dashed lines are included for illustrating environmental structure and form no part of the claimed design.

**1 Claim, 6 Drawing Sheets**



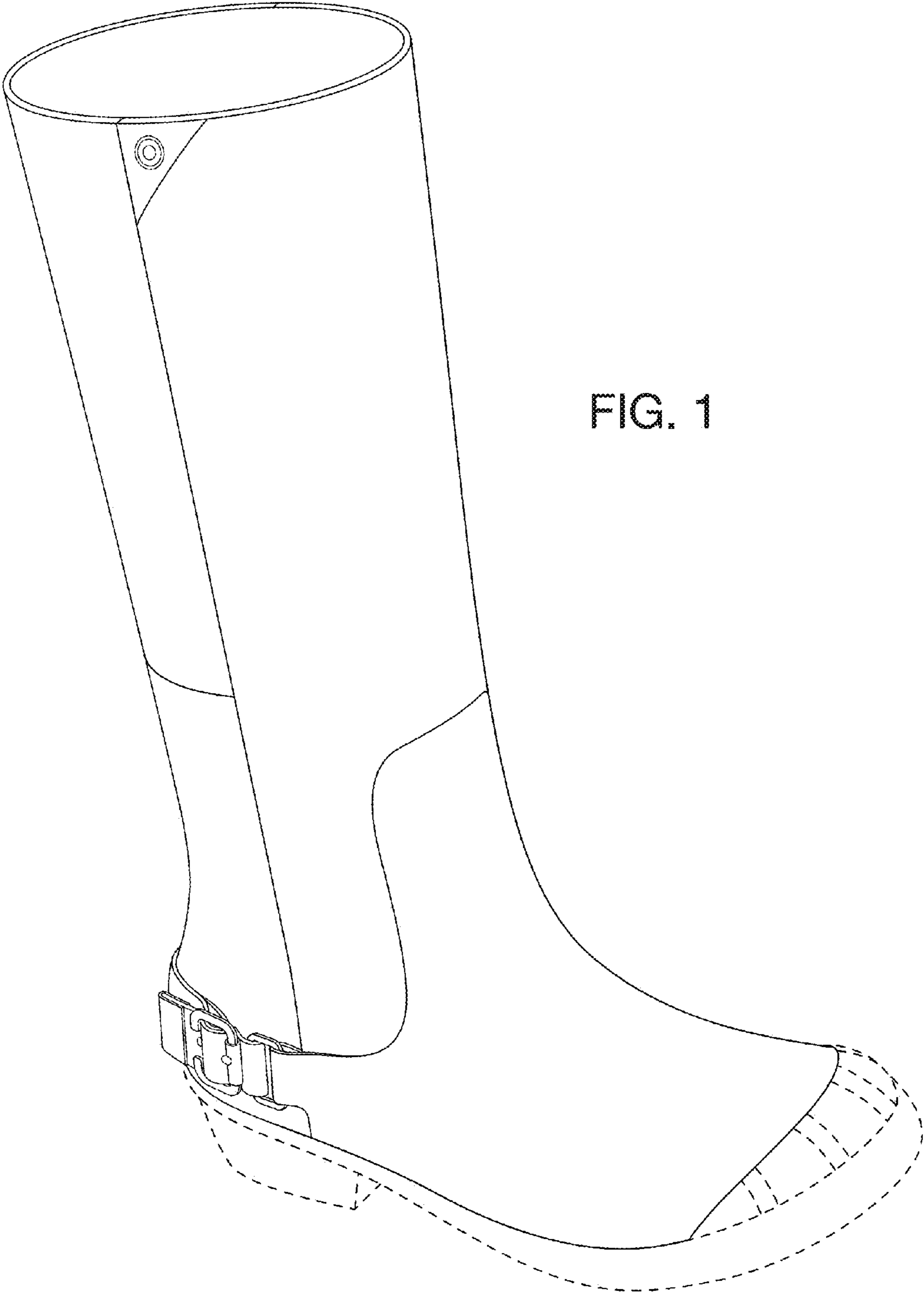


FIG. 1

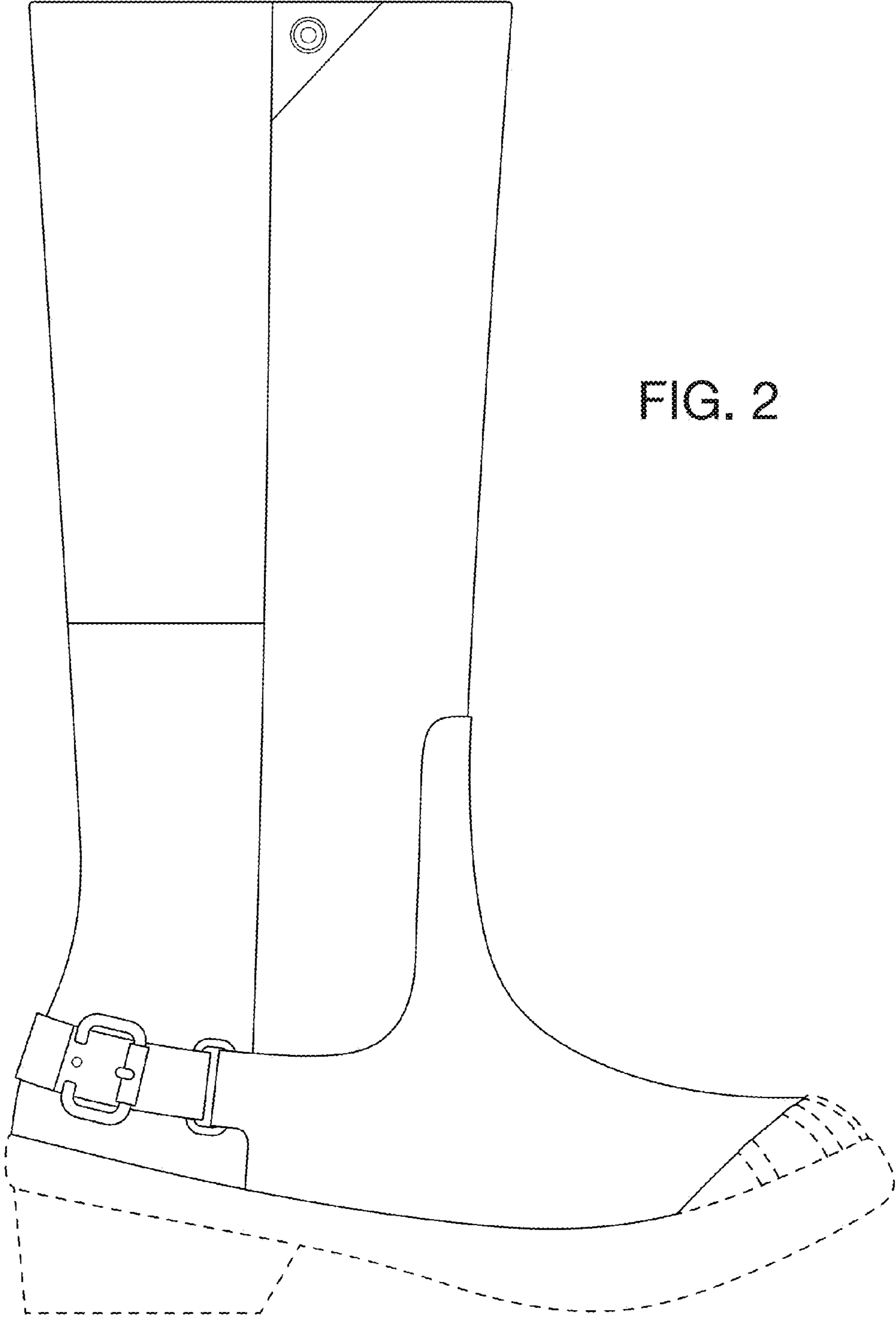
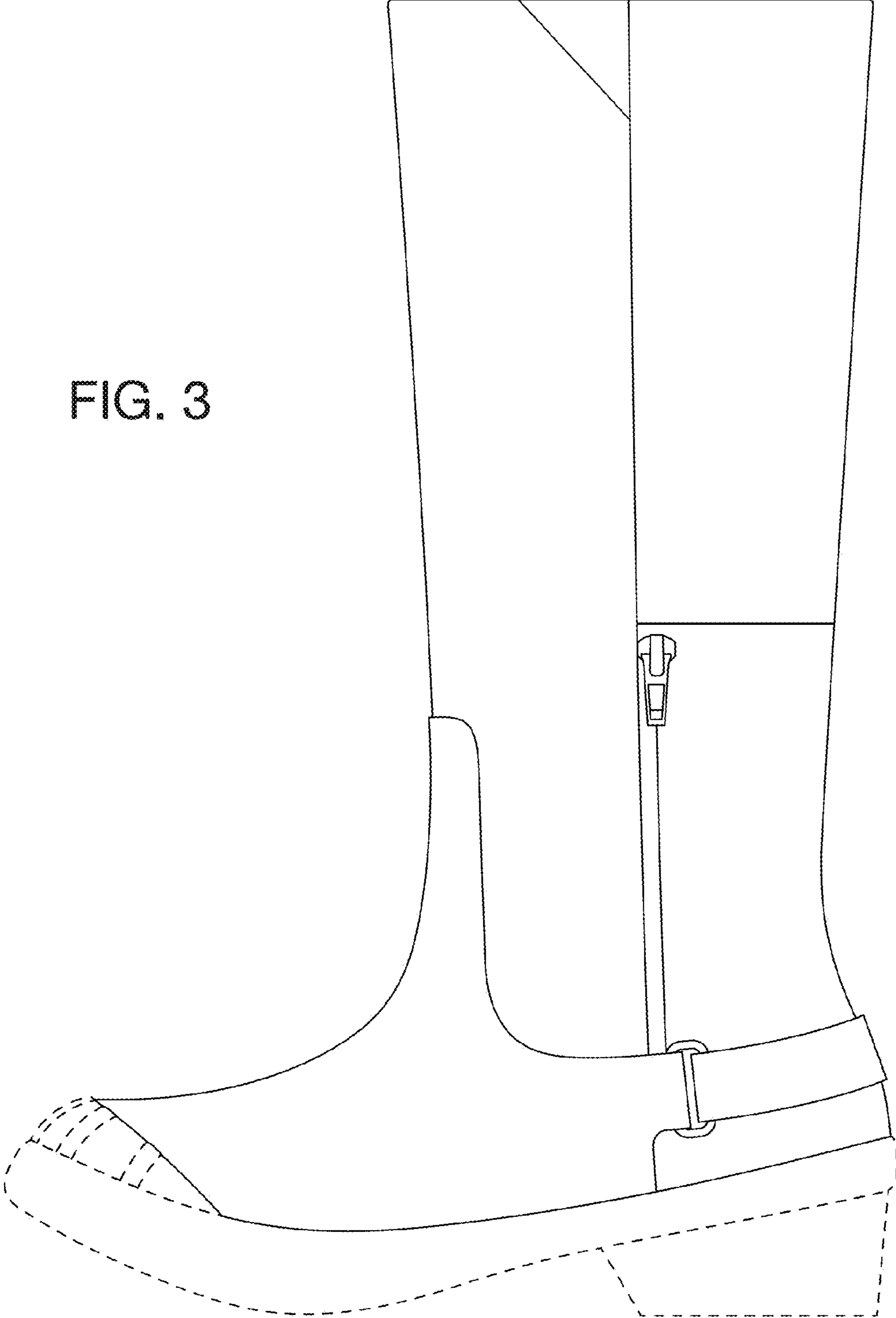


FIG. 2

FIG. 3



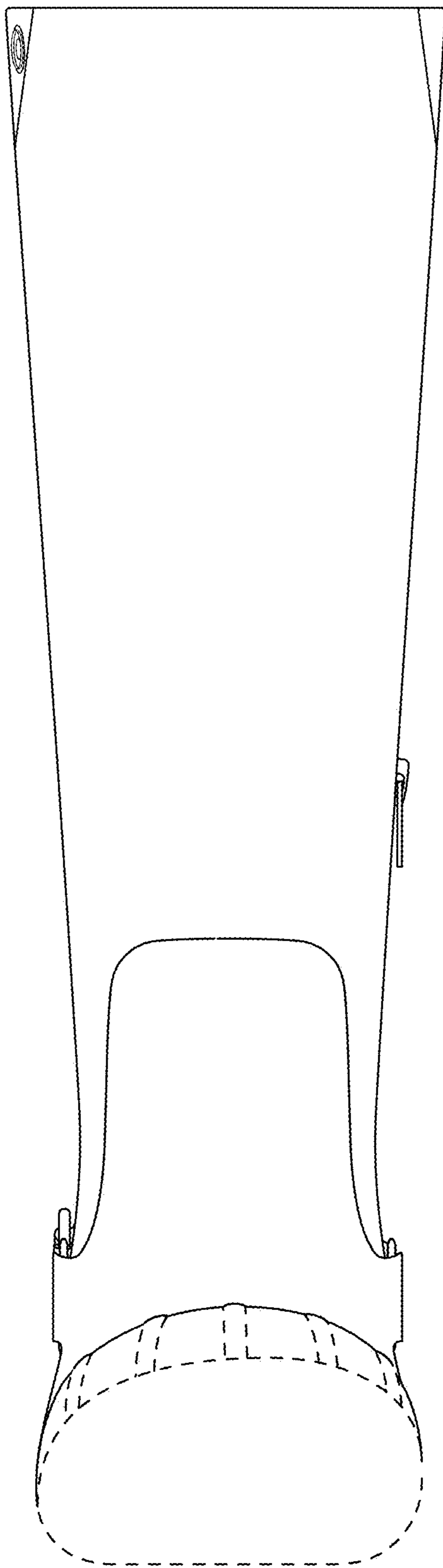


FIG. 4

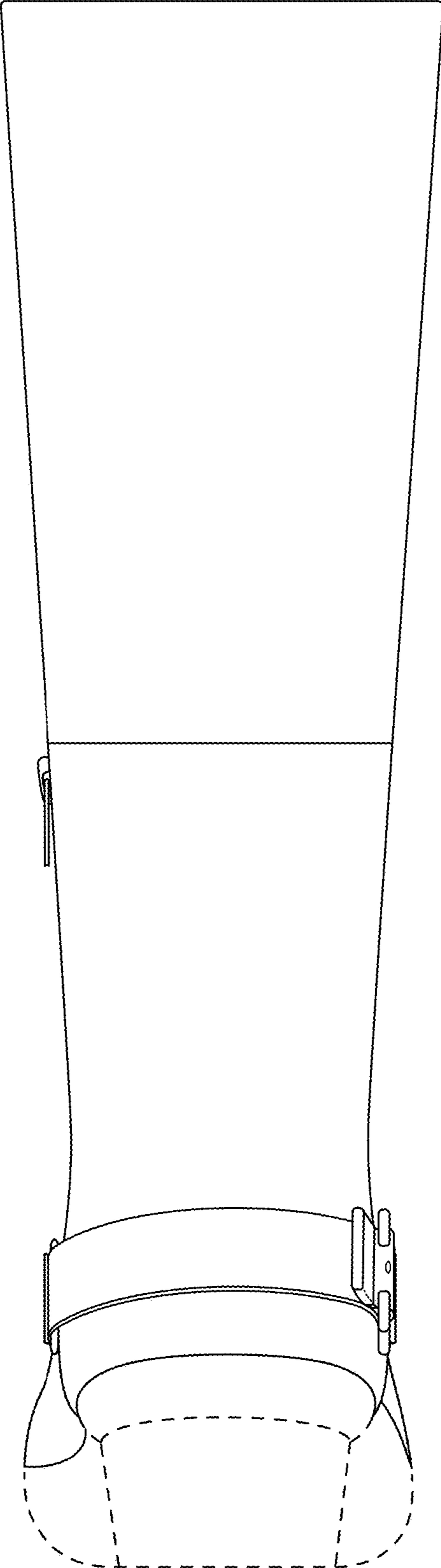


FIG. 5

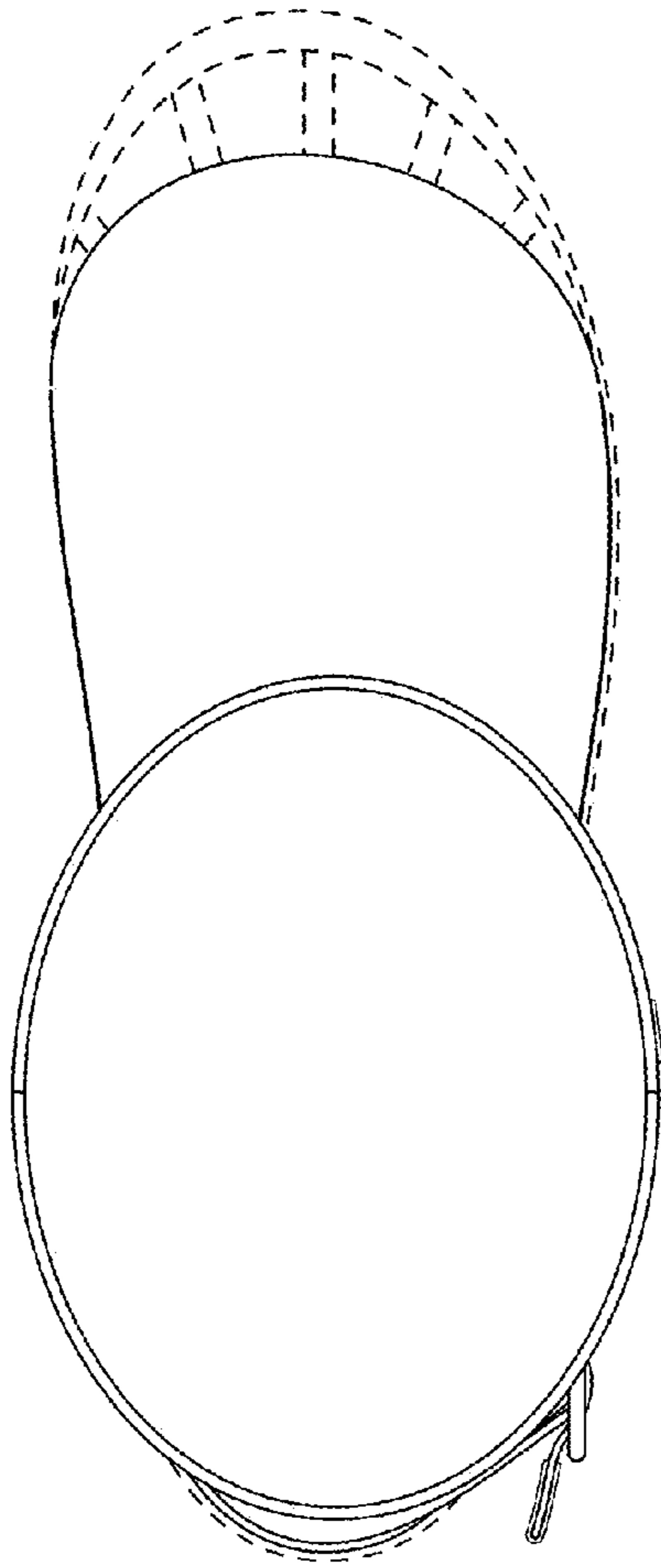


FIG. 6

FIG. 7

