



US00D701365S

(12) **United States Design Patent**
Kimoto et al.

(10) **Patent No.:** **US D701,365 S**
(45) **Date of Patent:** **** Mar. 18, 2014**

(54) **FARE COLLECTION MACHINE**

(75) Inventors: **Kenji Kimoto**, Motosu (JP); **Yasuhiro Suzuki**, Motosu (JP); **Takeshi Matsuno**, Motosu (JP)

(73) Assignee: **Lecip Corporation**, Motosu-Shi, Gifu-Ken (JP)

(**) Term: **14 Years**

(21) Appl. No.: **29/401,264**

(22) Filed: **Sep. 9, 2011**

(30) **Foreign Application Priority Data**

Mar. 14, 2011 (JP) 2011-005829

(51) **LOC (10) Cl.** **99-00**

(52) **U.S. Cl.**
USPC **D99/43**

(58) **Field of Classification Search**

USPC D99/28, 34, 35, 36, 43, 99; D14/300, D14/301, 302, 303, 900-902; D18/3.1, 3.2, D18/3.3, 4.4, 4.5, 4.6, 12, 12.1, 12.3; 101/66; 109/1 R, 1 V, 2, 23, 24.1, 25, 109/58, 66; 446/8-13; 206/0.8, 0.81, 0.815, 206/82, 0.83, 0.84

See application file for complete search history.

(56) **References Cited**

U.S. PATENT DOCUMENTS

4,277,689 A * 7/1981 Thomas et al. 382/139
4,310,749 A 1/1982 Gomez et al.

(Continued)

OTHER PUBLICATIONS

Scheidt and Bachmann Gmbh, at the American Public Transportation Association Expo 2008, Oct. 6-8, 2008 (catalog).

(Continued)

Primary Examiner — Elizabeth J Oswecki

(74) *Attorney, Agent, or Firm* — Yoshida & Associates, LLC

(57) **CLAIM**

The ornamental design for a fare collection machine, as shown and described.

DESCRIPTION

FIG. 1 is a front, top and right side perspective view of a fare collection machine showing our new design, in which the bill tray is pivoted to a vertical position;

FIG. 2 is a front, top and left side perspective view thereof;

FIG. 3 is a front elevational view thereof;

FIG. 4 is a rear elevational view thereof;

FIG. 5 is an enlarged top plan view thereof;

FIG. 6 is a right side elevational view thereof;

FIG. 7 is a left side elevational view thereof;

FIG. 8 is an enlarged view of front, top, right perspective view of the portion indicated by lines 8-8 in FIG. 1;

FIG. 9 is an enlarged front, top, left perspective view of the portion indicated by lines 9-9 in FIG. 2;

FIG. 10 is an enlarged front view of the portion indicated by line 10-10 in FIG. 3;

FIG. 11 is an enlarged cross-sectional view taken along line 11-11 in FIG. 5 with the internal structure omitted;

FIG. 12 is an enlarged cross-sectional view taken along line 12-12 in FIG. 10 with the internal structure omitted;

FIG. 13 is an enlarged top plan view thereof, in which the bill tray is pivoted to a horizontal position;

FIG. 14 is an enlarged perspective view of the portion shown in FIG. 8, in which the bill tray is pivoted to the horizontal position;

FIG. 15 is an enlarged perspective view of the portion shown in FIG. 9, in which the bill tray is pivoted to the horizontal position;

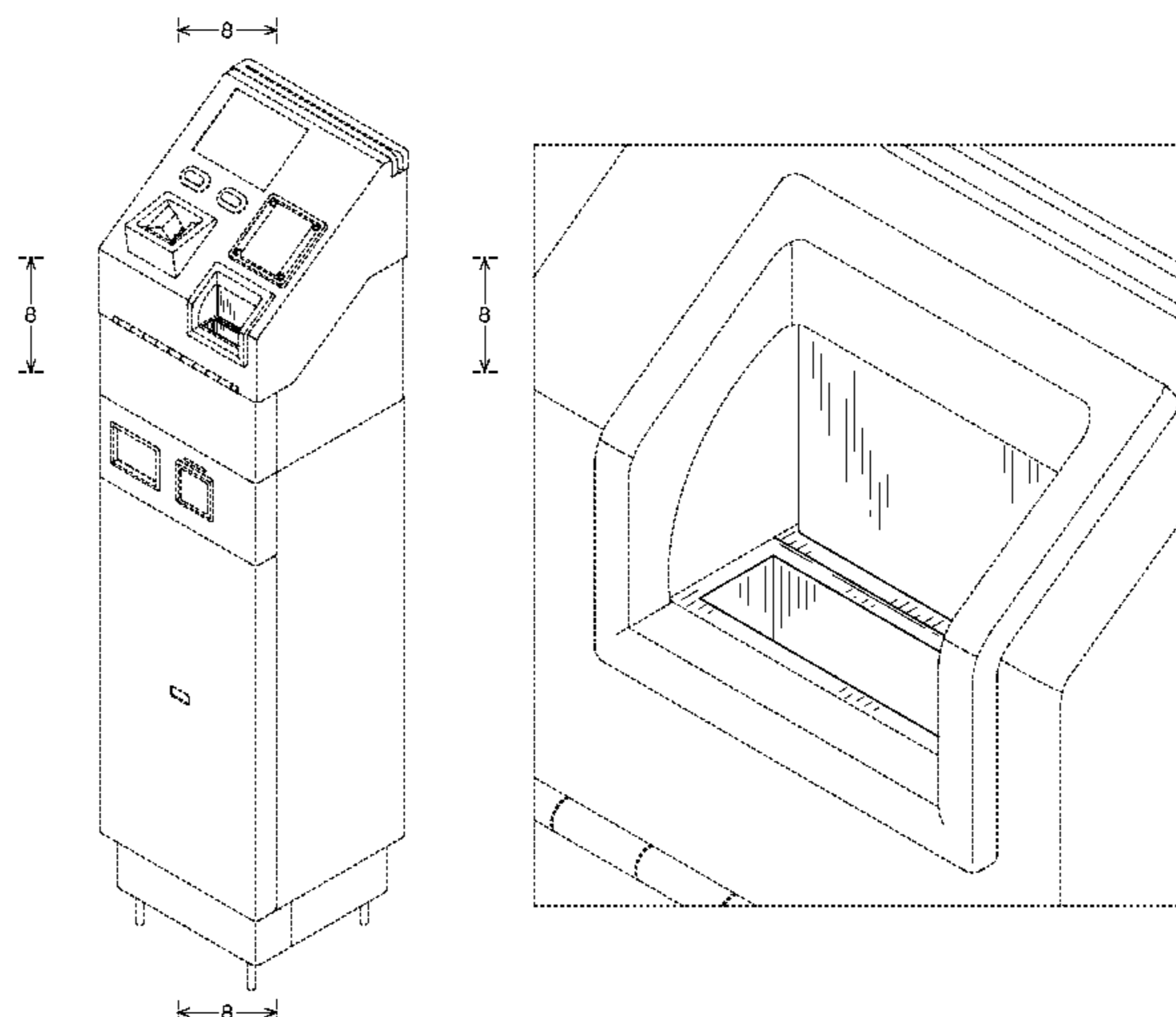
FIG. 16 is an enlarged front view of the portion shown in FIG. 10, in which the bill tray is pivoted to the horizontal position;

FIG. 17 is an enlarged cross-sectional view taken along line 17-17 in FIG. 13 with the internal structure omitted, in which the bill tray is pivoted to the horizontal position; and,

FIG. 18 is an enlarged cross-sectional view taken along line 18-18 in FIG. 16, in which the bill tray is pivoted to the horizontal position.

The features shown in broken lines in the drawings depict environmental subject matter only and form no part of the claimed design.

1 Claim, 18 Drawing Sheets



(56)

References Cited

U.S. PATENT DOCUMENTS

4,453,667 A 6/1984 Zerfahs
 D282,936 S 3/1986 Gardner et al.
 4,795,087 A 1/1989 Procak
 4,977,502 A 12/1990 Baker et al.
 D354,839 S 1/1995 Baudin
 5,695,038 A 12/1997 Keith, III et al.
 D394,458 S * 5/1998 Watanabe et al. D20/10
 D418,155 S 12/1999 Rider
 D419,277 S * 1/2000 Ishii et al. D99/35
 6,039,164 A 3/2000 Waters et al.
 D448,040 S * 9/2001 Forslund D18/3.1
 D488,512 S 4/2004 Knobel
 D492,080 S * 6/2004 Magee et al. D99/28
 D525,659 S 7/2006 Paczkowski et al.
 D526,024 S 8/2006 Iannello et al.
 D526,359 S 8/2006 Takeuchi
 D527,768 S 9/2006 Suh
 D530,880 S * 10/2006 Magee et al. D99/28
 D532,421 S * 11/2006 Metivier et al. D14/385
 7,191,933 B2 3/2007 Miyaji

D547,806 S 7/2007 Uemizo
 D596,373 S * 7/2009 Kang et al. D99/28
 D596,374 S * 7/2009 Kang et al. D99/28
 D603,125 S * 10/2009 Lara Bartolome D99/28
 D607,000 S * 12/2009 Cheng et al. D14/485
 D625,305 S * 10/2010 Bleck et al. D14/307
 D628,576 S * 12/2010 Daniel D14/385
 D629,585 S * 12/2010 Bleck et al. D99/28
 D645,223 S * 9/2011 Bleck et al. D99/28
 D665,802 S * 8/2012 Nelson et al. D14/385
 D674,985 S * 1/2013 Lee D99/28
 2005/0087424 A1 4/2005 Newsome et al.
 2006/0073883 A1 * 4/2006 Franks, Jr. 463/25
 2008/0135608 A1 6/2008 Ireland et al.

OTHER PUBLICATIONS

ACS Transport Solutions Inc., 2008 (catalog).
<http://www.gfigenfare.com/Downloads/Odyssey.pdf>, Genfare, 2001
 (cataolg).
<http://www.gfigenfare.com/Downloads/Odyssey.pdf>, Genfare, 2002
 (catalog).

* cited by examiner

Fig. 1

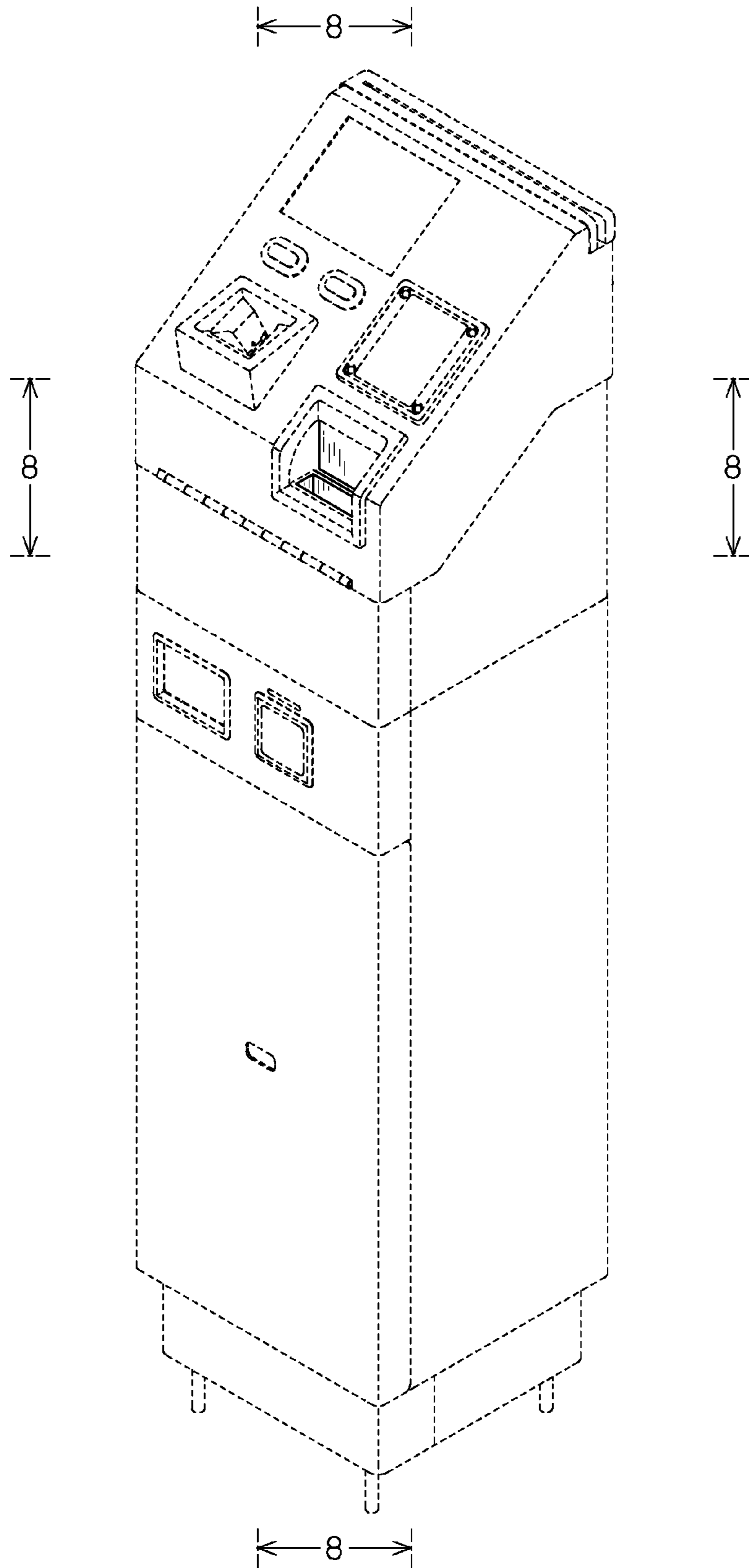


Fig. 2

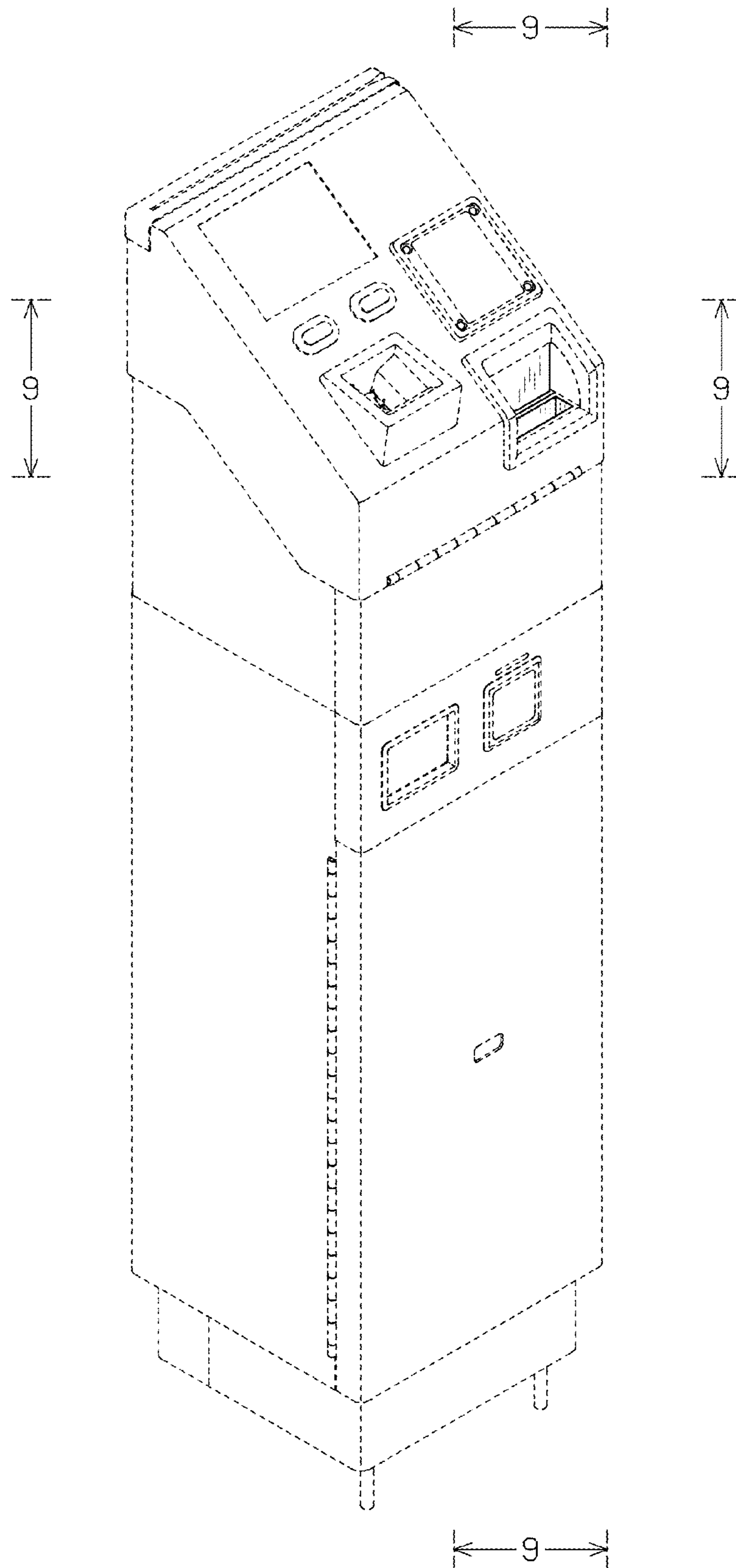


Fig. 3

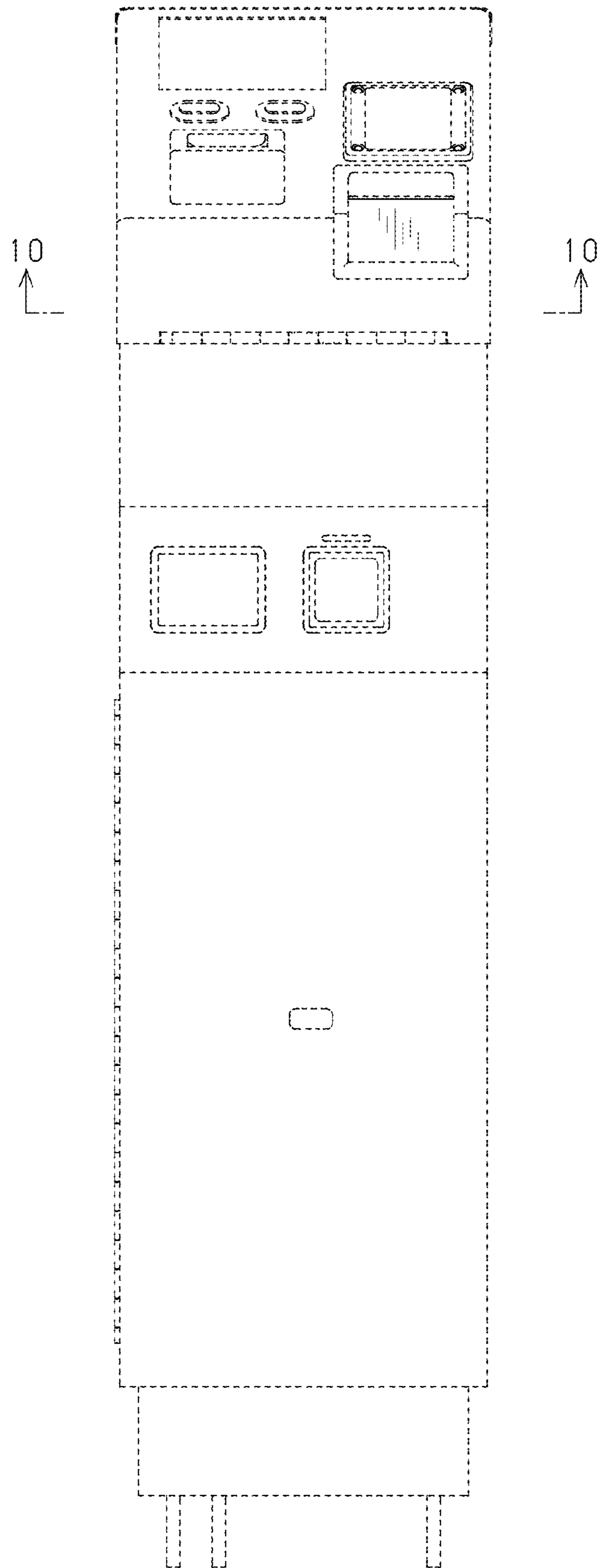
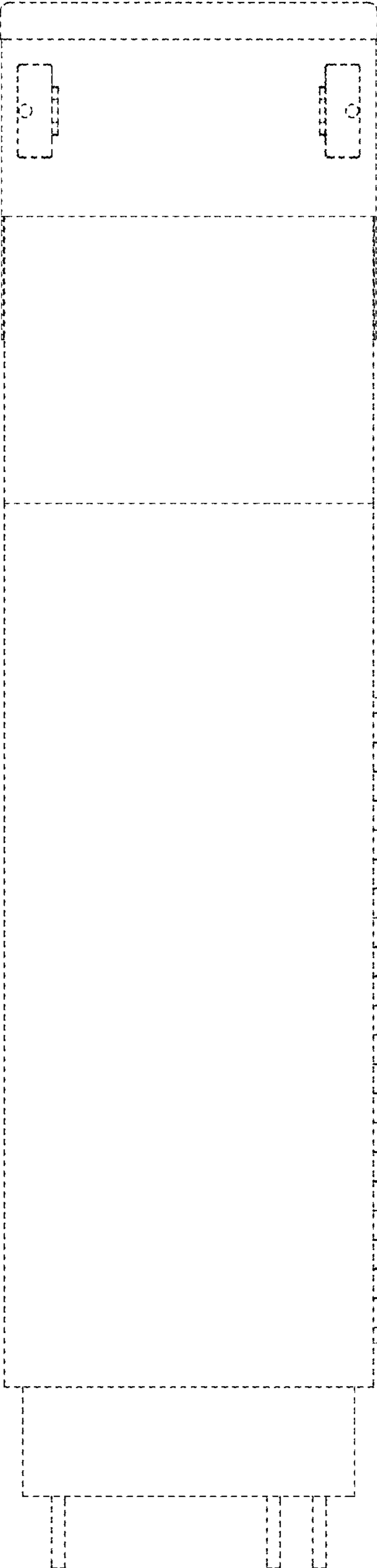


Fig. 4



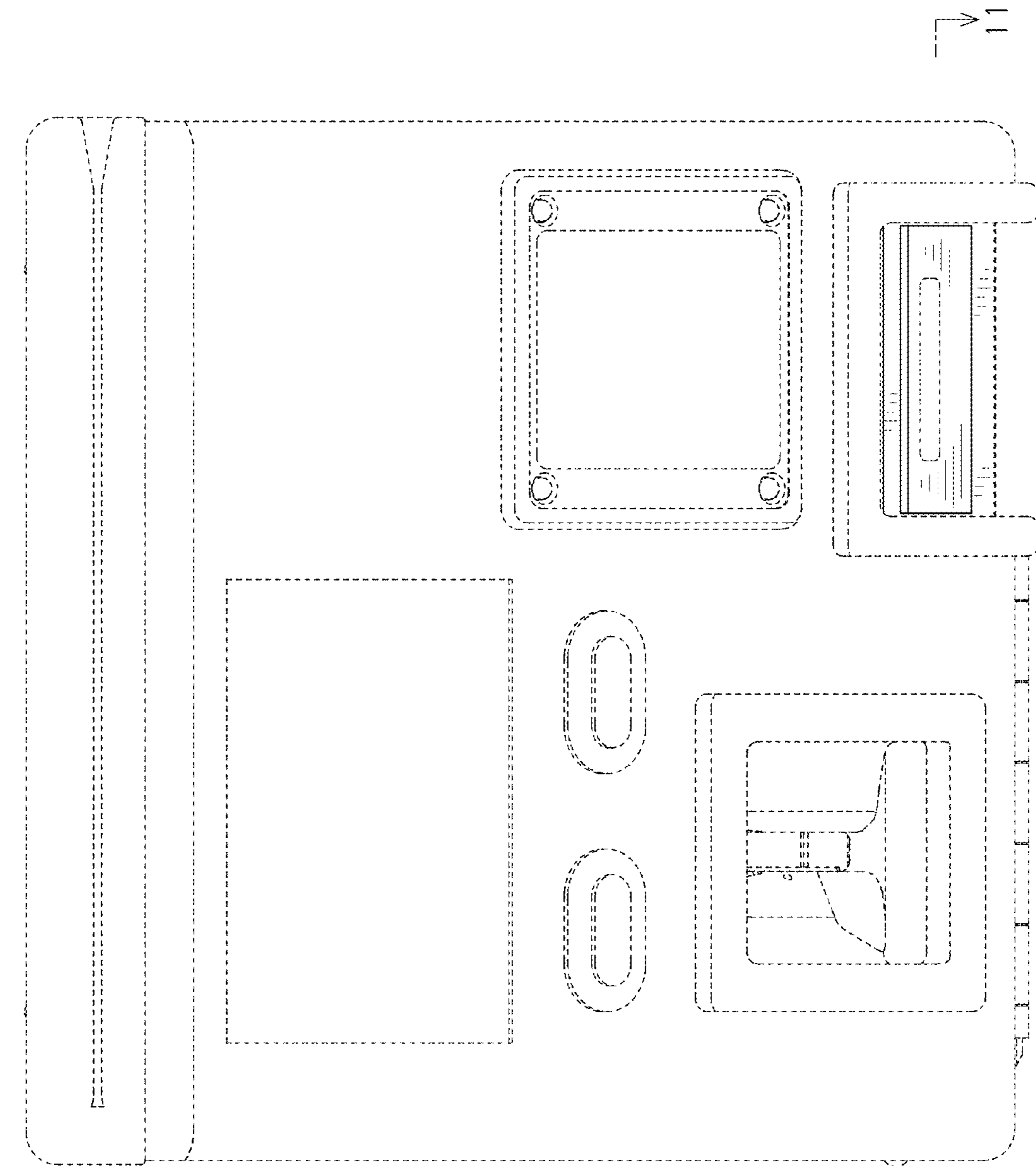


Fig. 5

Fig. 6

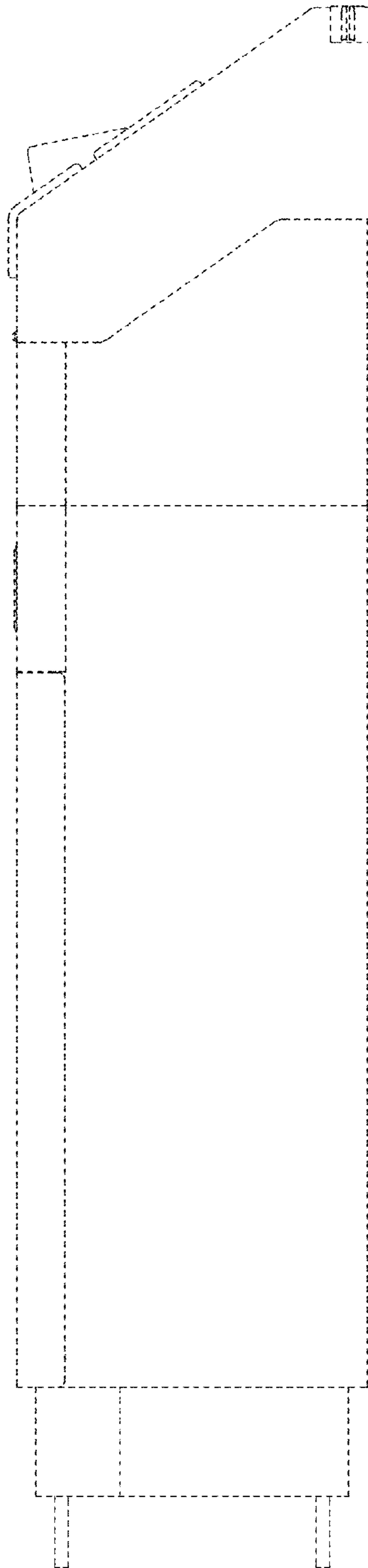


Fig. 7

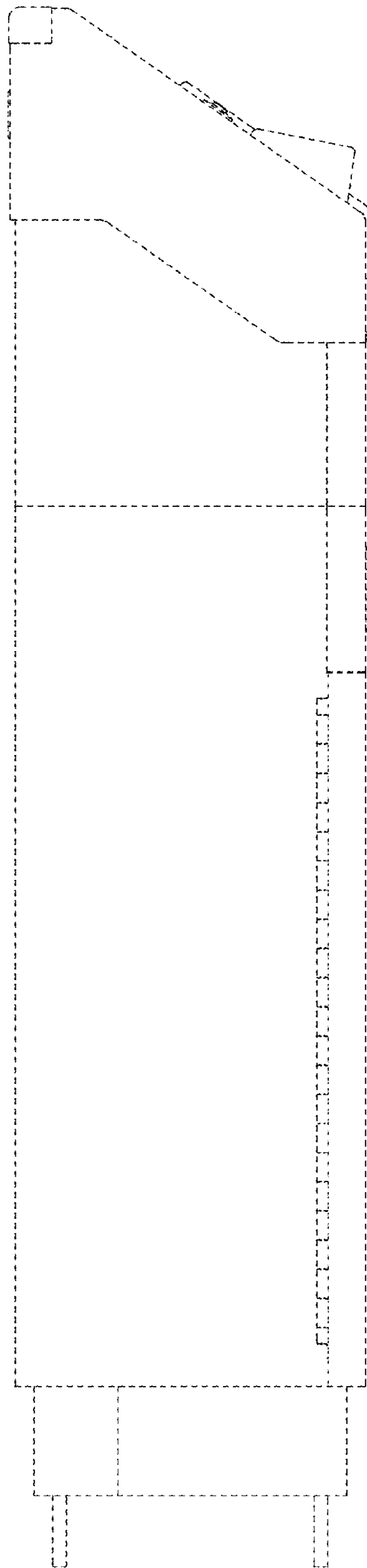


Fig. 8

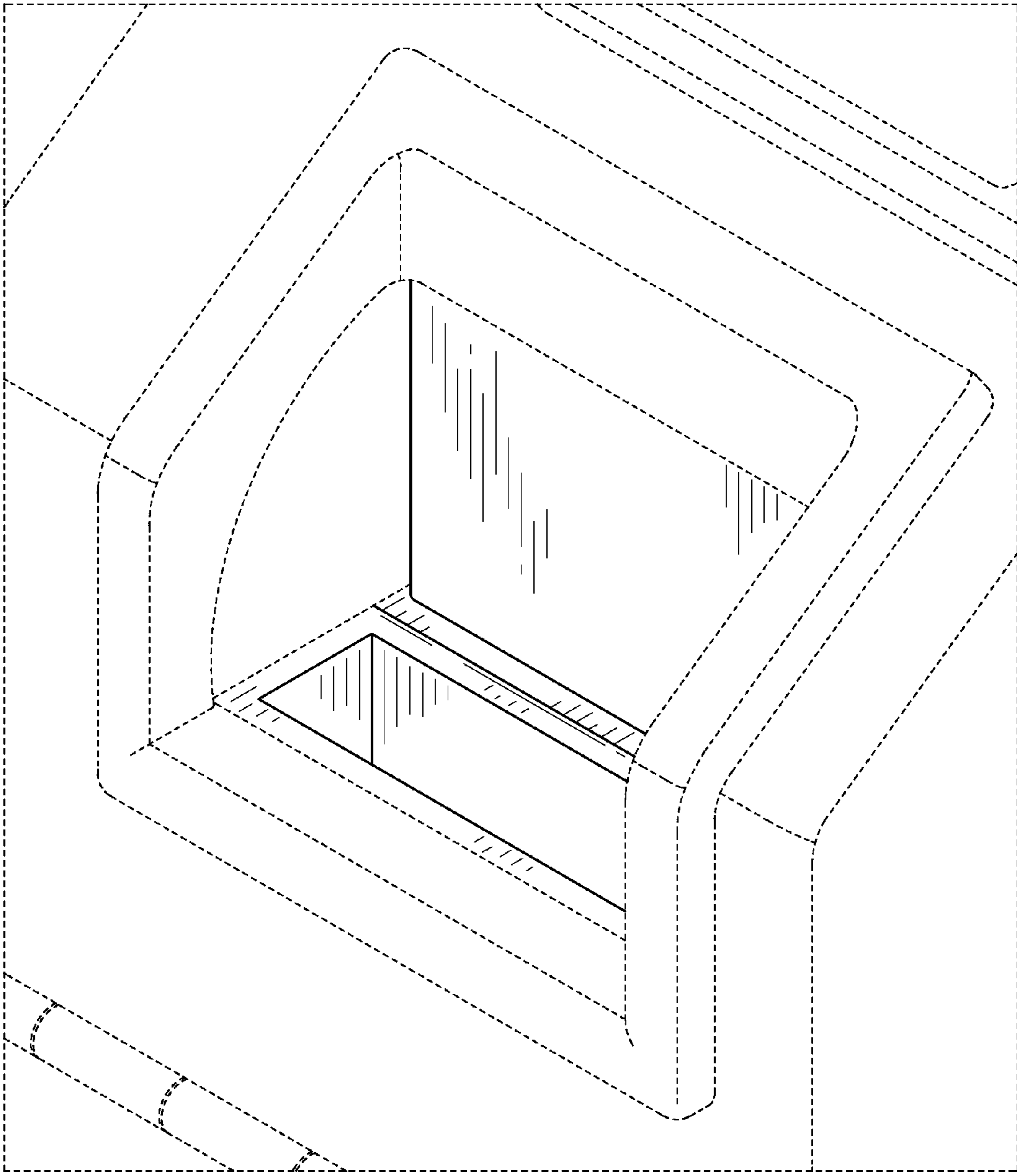


Fig. 9

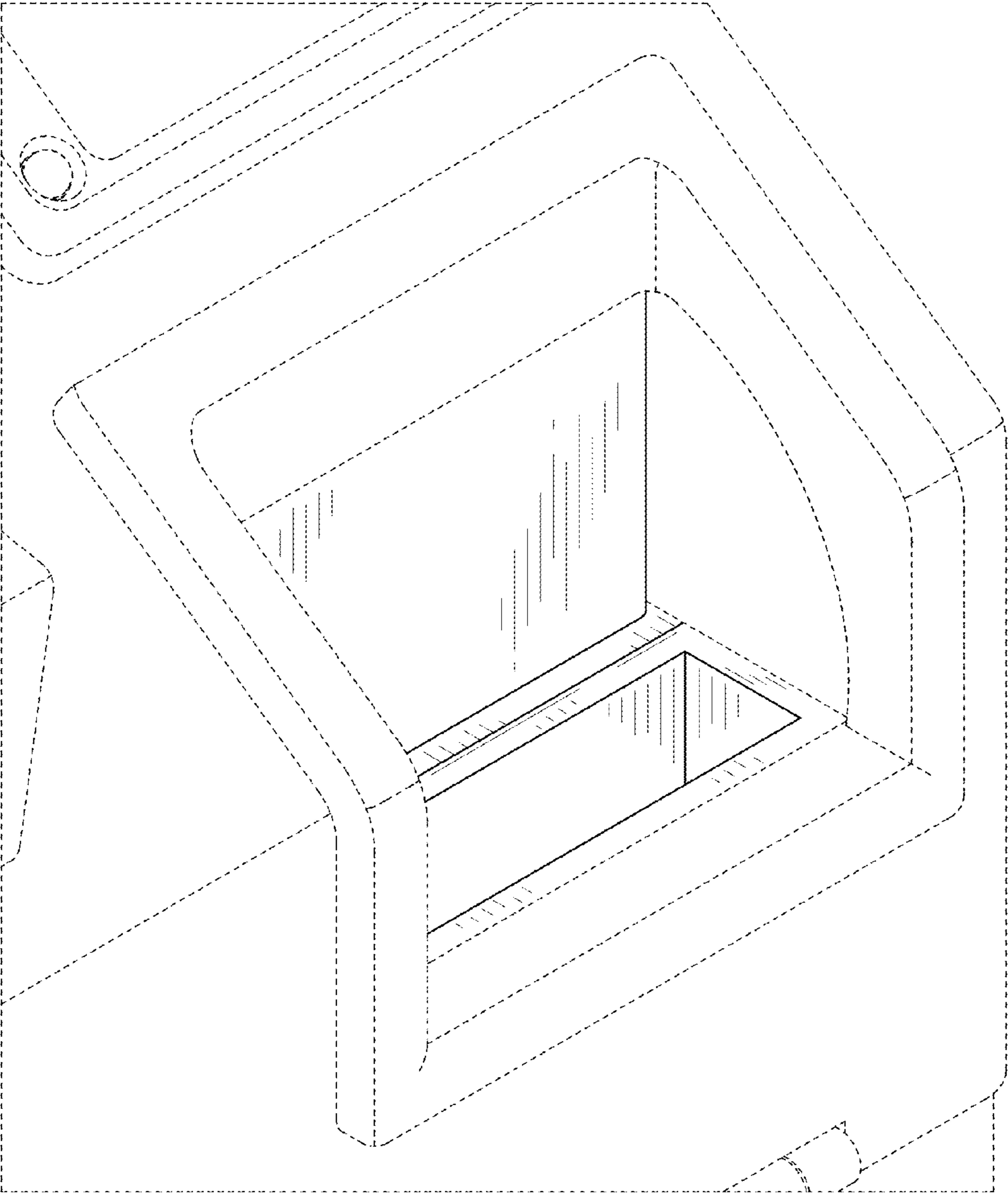


Fig. 10

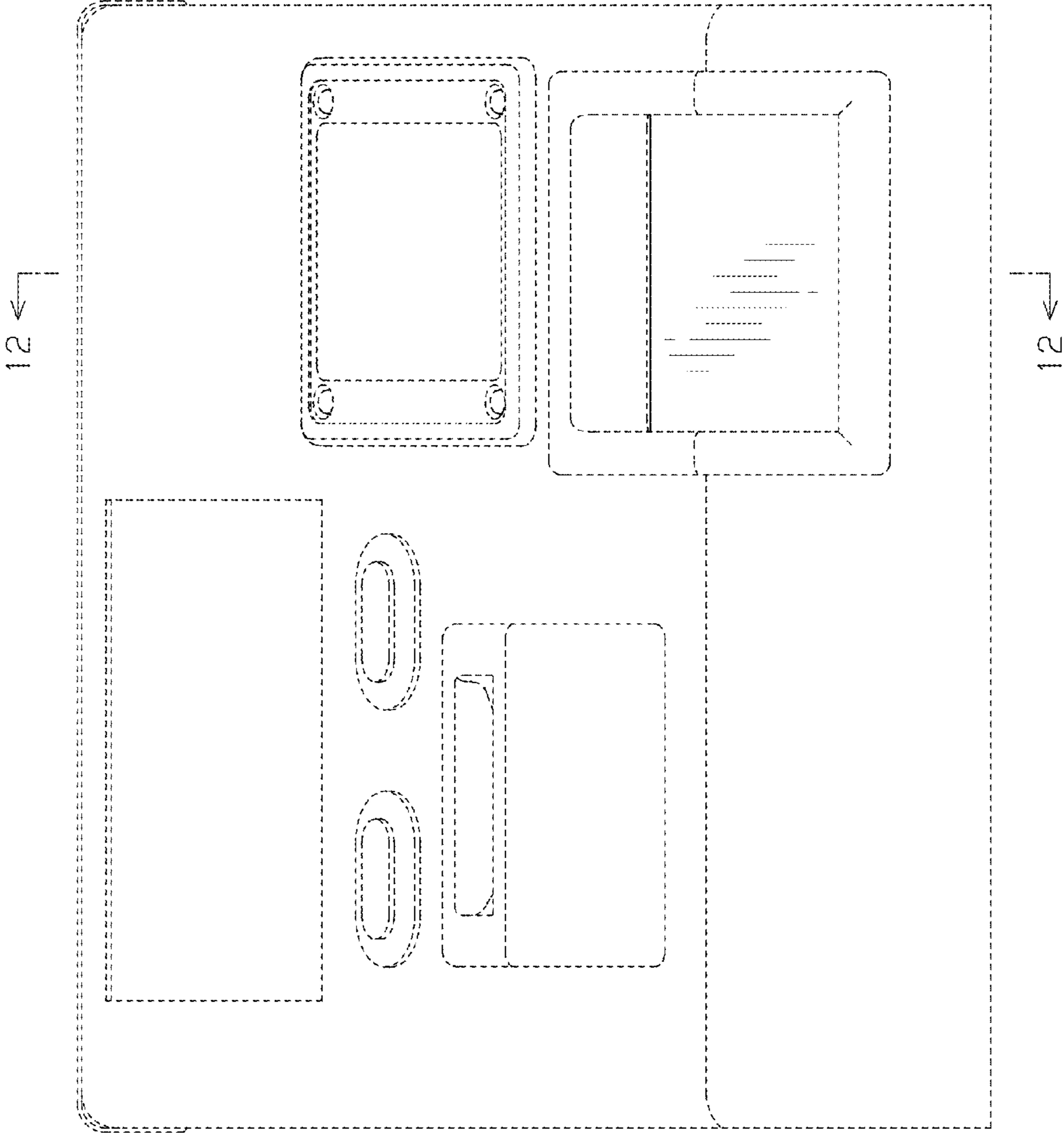
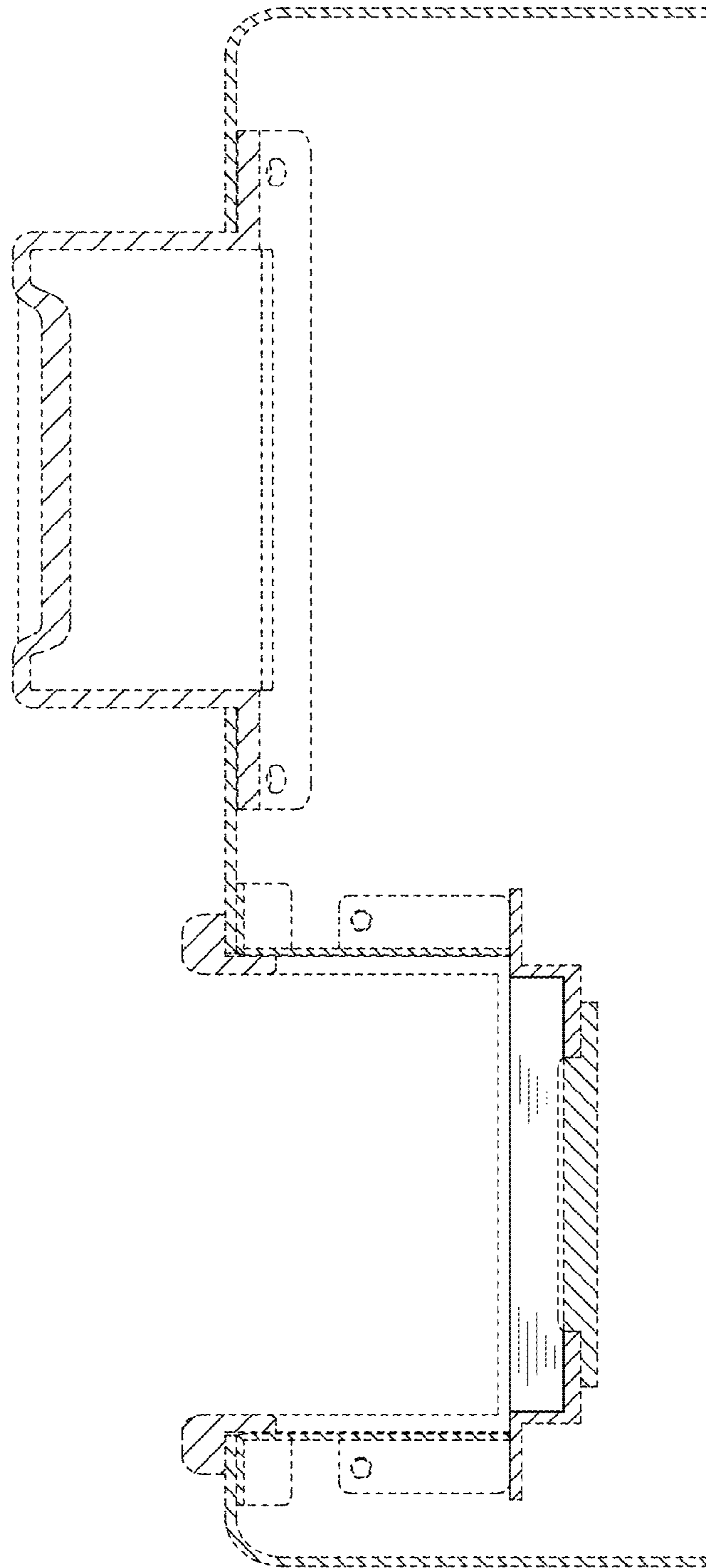


Fig. 11



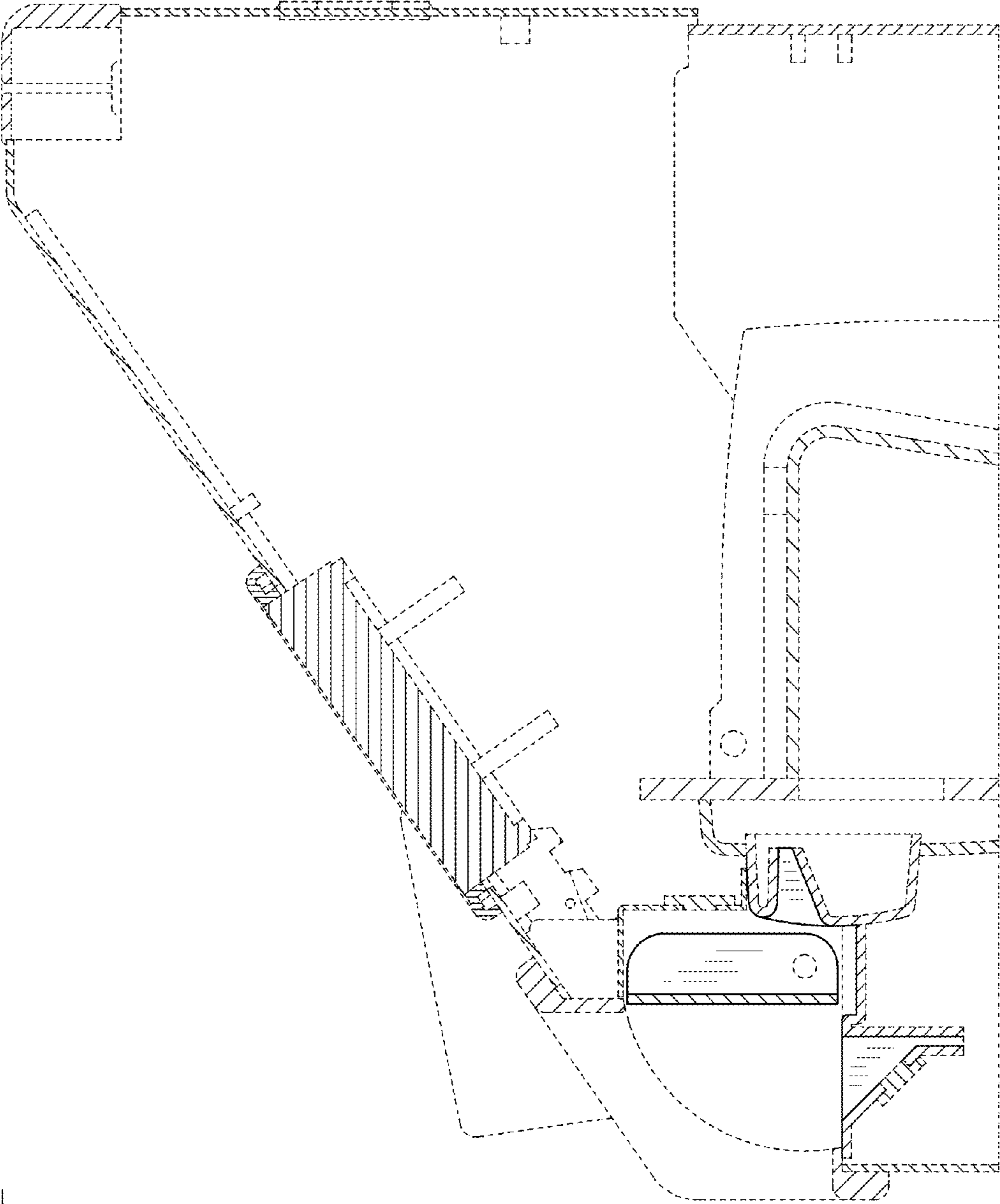


Fig. 12

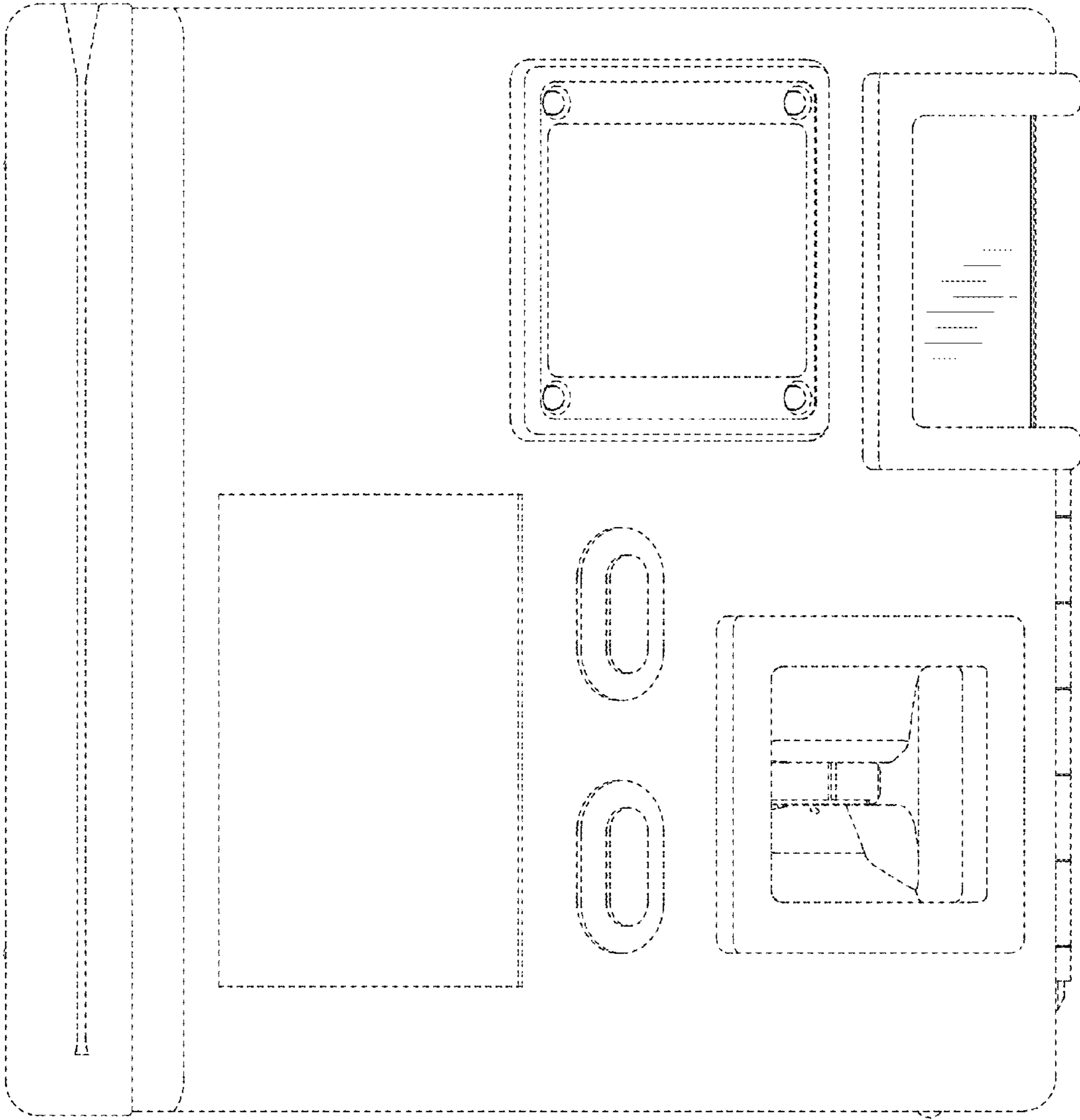


Fig. 13

Fig. 14

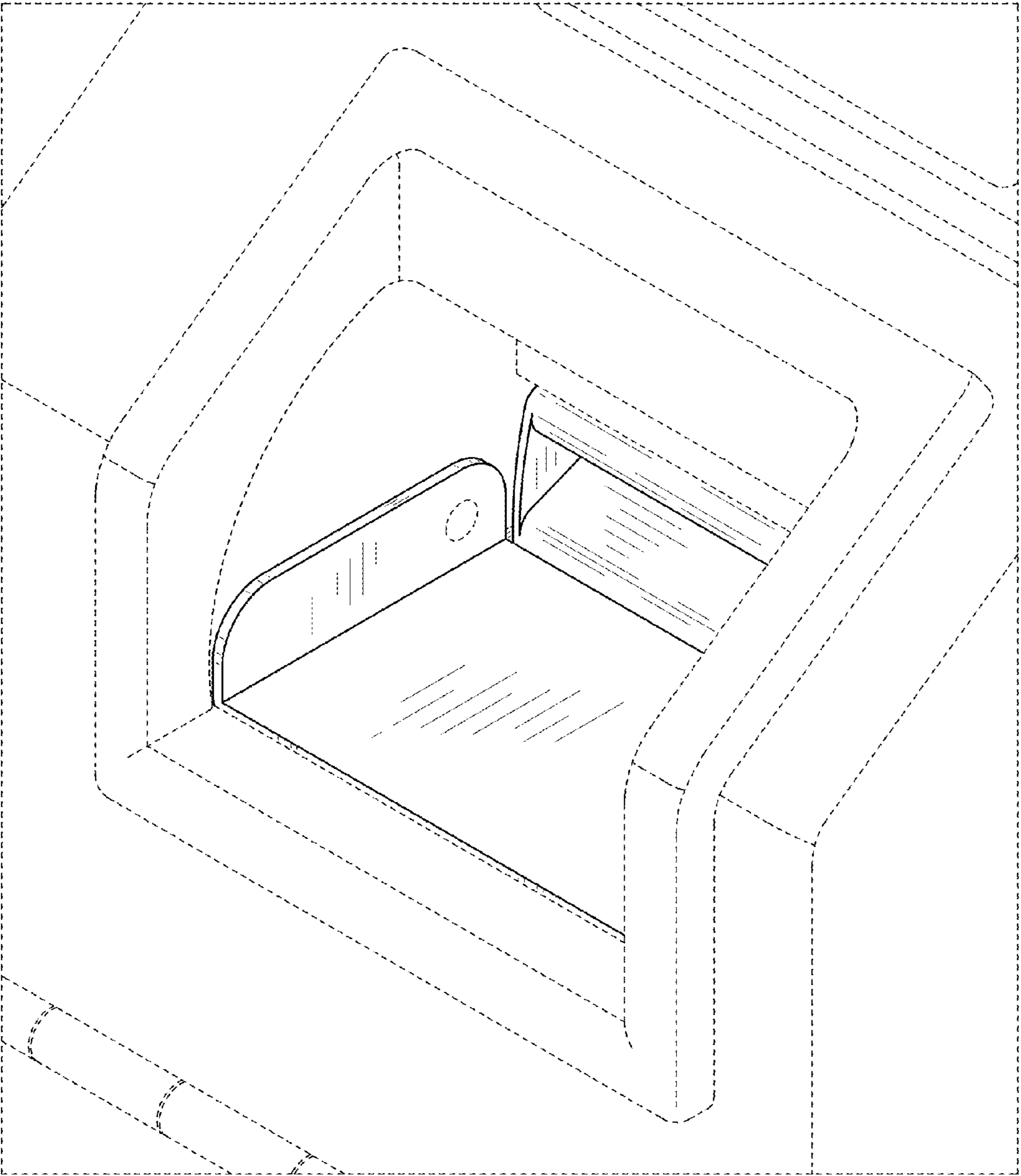
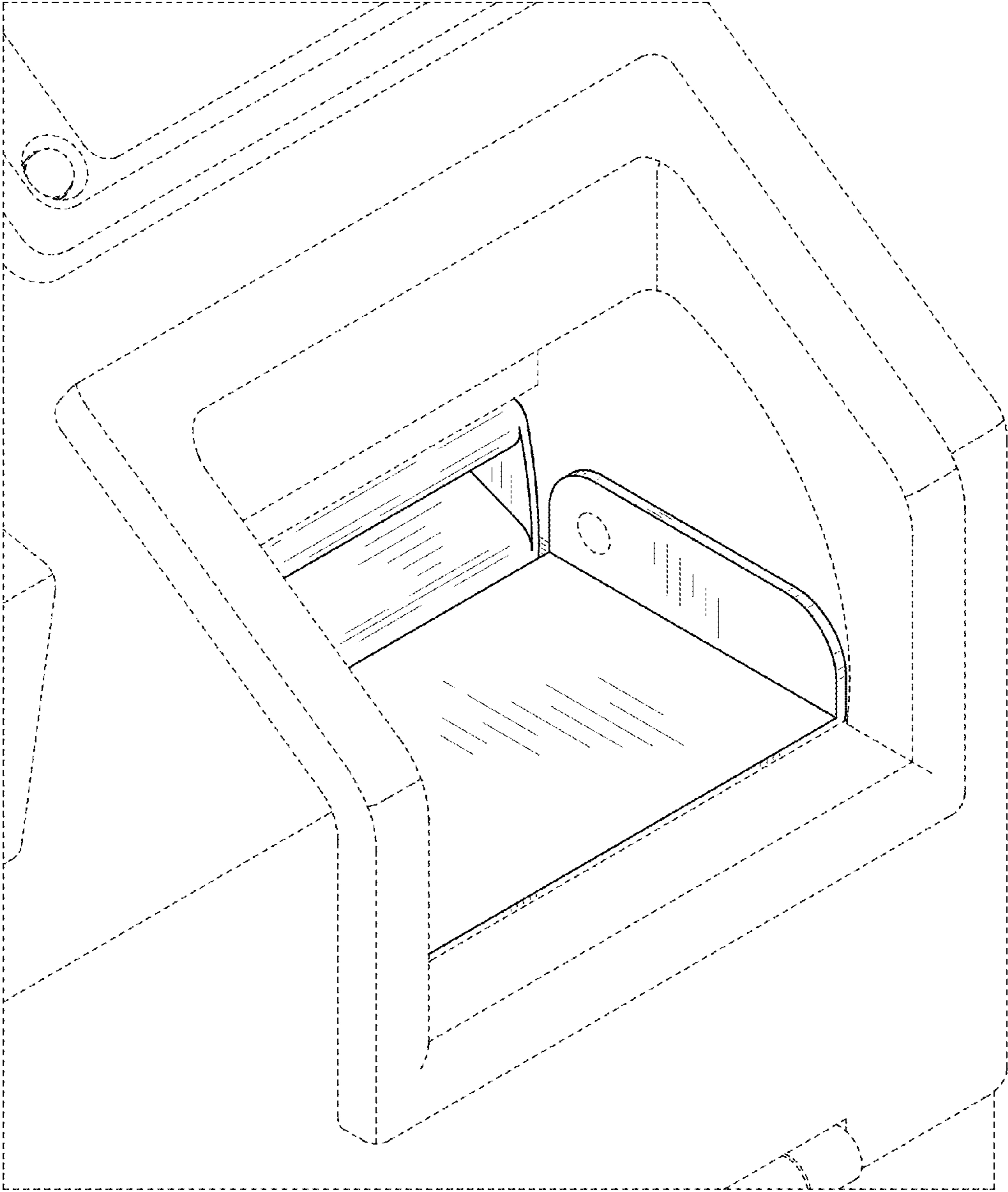


Fig. 15



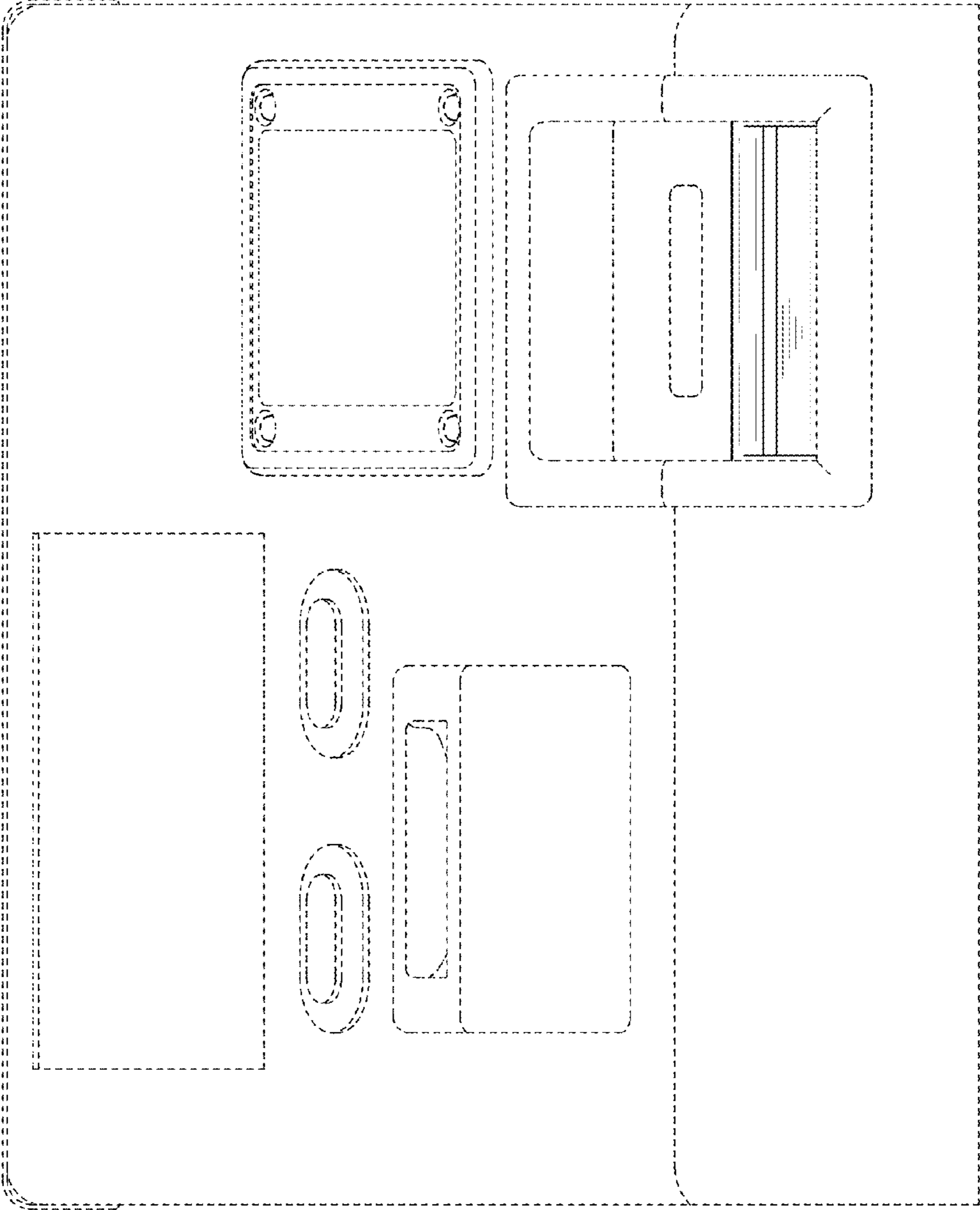
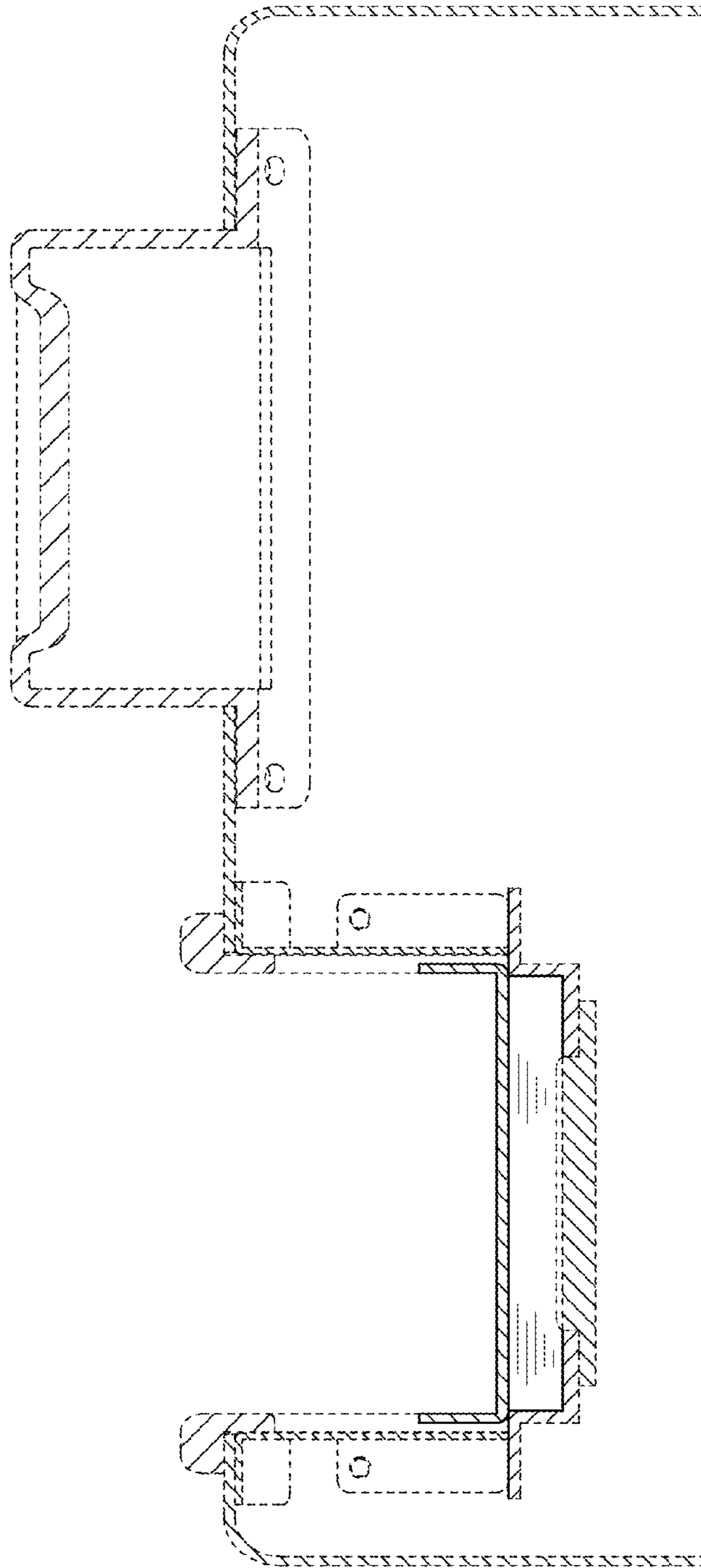


Fig. 16

Fig. 17



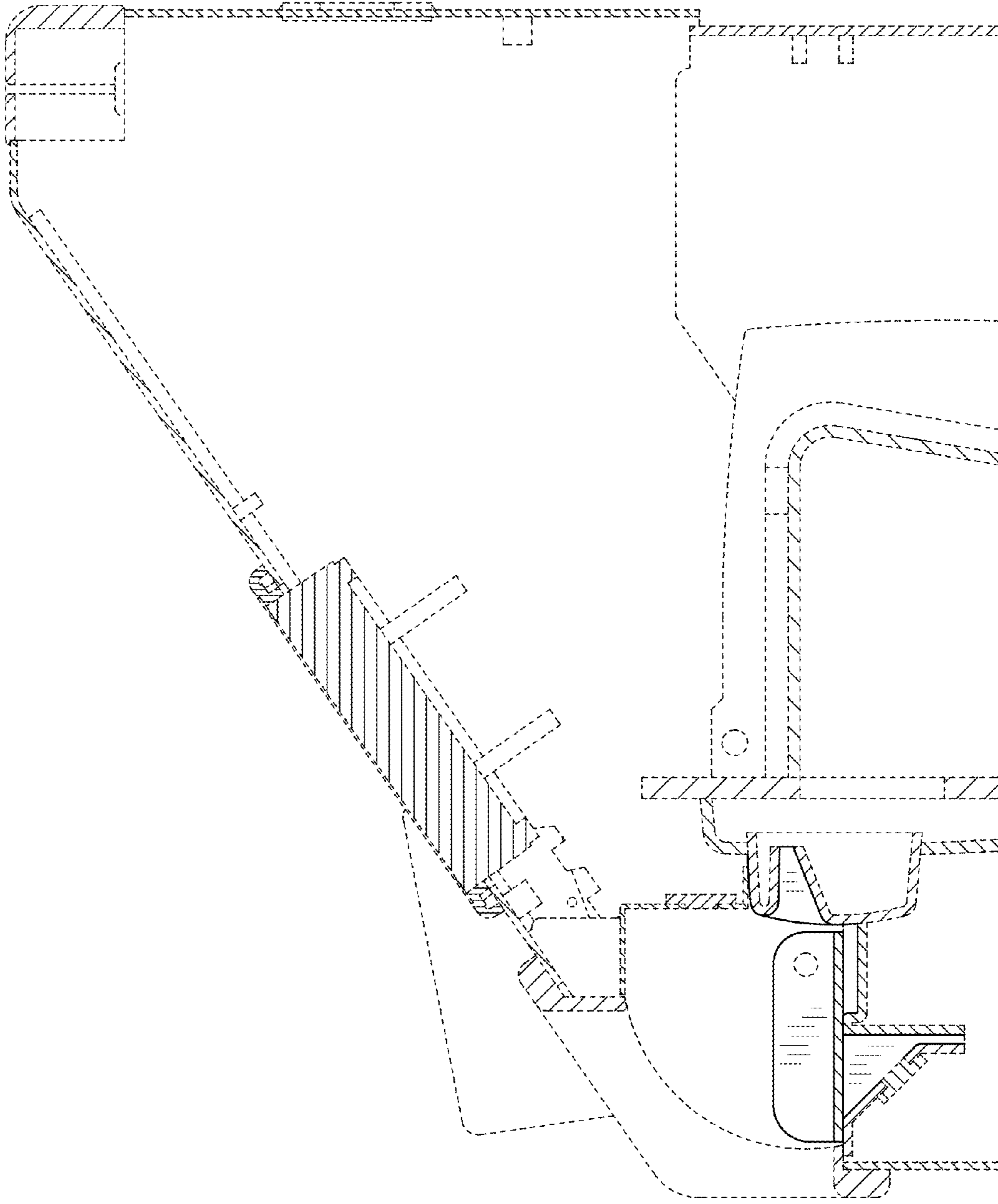


Fig. 18