



US00D701364S

(12) **United States Design Patent**
Pelini

(10) **Patent No.:** **US D701,364 S**

(45) **Date of Patent:** **** Mar. 18, 2014**

(54) **INTEGRATED JACK PLATE**

(76) Inventor: **Mark F. Pelini**, Valrico, FL (US)

(**) Term: **14 Years**

(21) Appl. No.: **29/374,485**

(22) Filed: **Aug. 22, 2011**

Related U.S. Application Data

(63) Continuation-in-part of application No. 13/136,586, filed on Aug. 4, 2011, now Pat. No. 8,535,105.

(51) **LOC (10) Cl.** **12-05**

(52) **U.S. Cl.**
USPC **D34/31; D15/4**

(58) **Field of Classification Search**
USPC D34/31; D15/4, 5; D12/317; 440/59, 440/61, 63, 65; D8/353; 248/641, 642
See application file for complete search history.

(56) **References Cited**

U.S. PATENT DOCUMENTS

- D372,452 S * 8/1996 Icenogle D12/317
- 5,782,662 A * 7/1998 Icenogle 440/61 R
- 6,132,271 A * 10/2000 Hebert 440/59
- D497,877 S * 11/2004 Sato D13/133

- 6,814,148 B1 * 11/2004 Conner et al. 166/379
- 7,013,825 B1 * 3/2006 D'Alessandro 114/286
- D561,708 S * 2/2008 Anzai D13/177
- D606,098 S * 12/2009 Pelini D15/4
- D607,900 S * 1/2010 Pelini D15/4
- D622,207 S * 8/2010 Pelini D12/400

* cited by examiner

Primary Examiner — Cynthia Ramirez

(74) *Attorney, Agent, or Firm* — Edward P. Dutkiewicz

(57) **CLAIM**

The ornamental design for an integrated jack plate, as shown and described.

DESCRIPTION

FIG. 1 is a front elevational view of the integrated jack plate showing my new design;
 FIG. 2 is a rear elevational view thereof;
 FIG. 3 is the right side elevational view, with the left side elevational view being a mirror image thereof;
 FIG. 4 is a top view thereof; and,
 FIG. 5 is a bottom view thereof.
 The broken lines shown in the figures are included for the purpose of illustrating portions of the integrated jack plate and form no part of the claimed design.

1 Claim, 3 Drawing Sheets

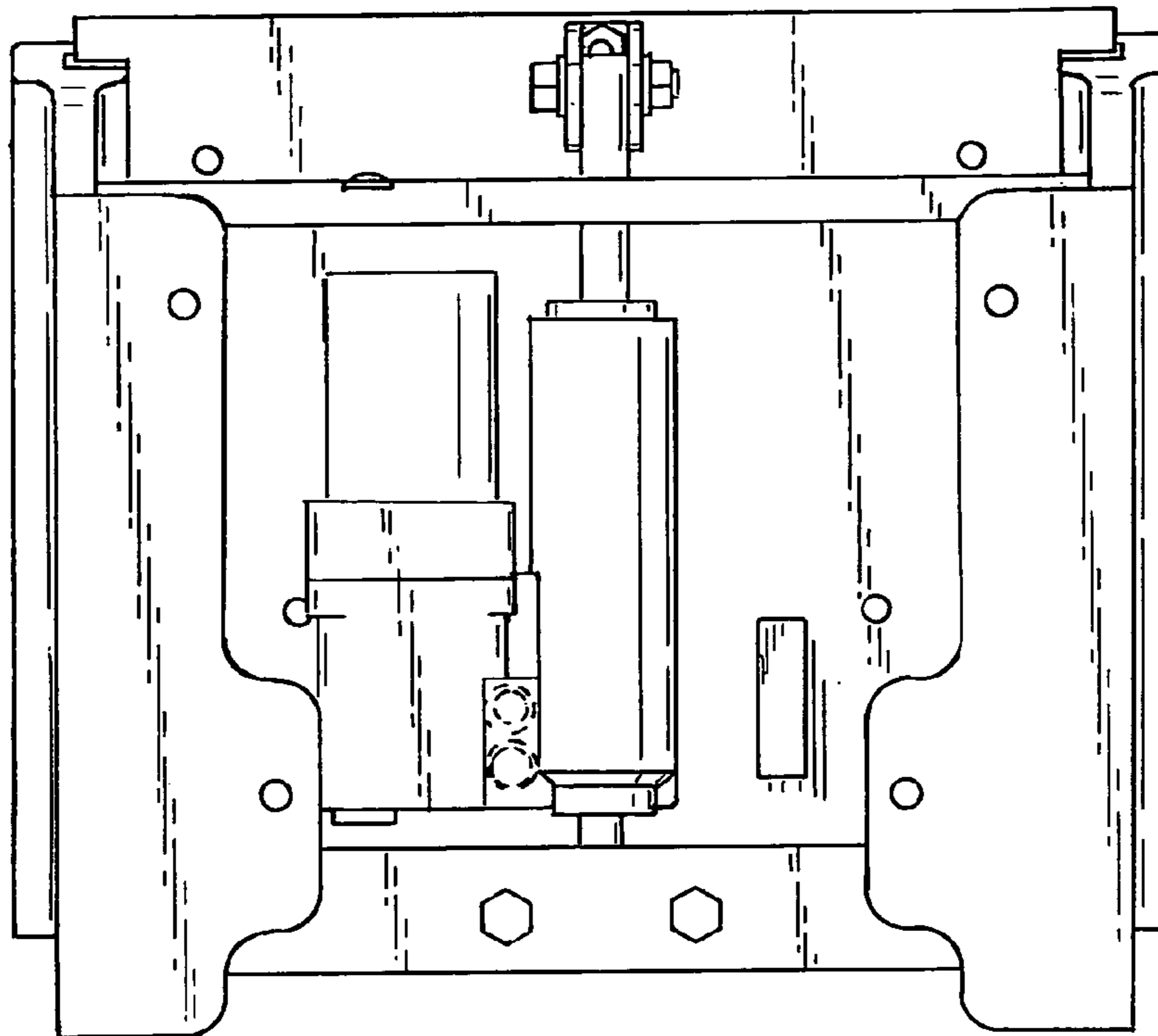


FIG. 1

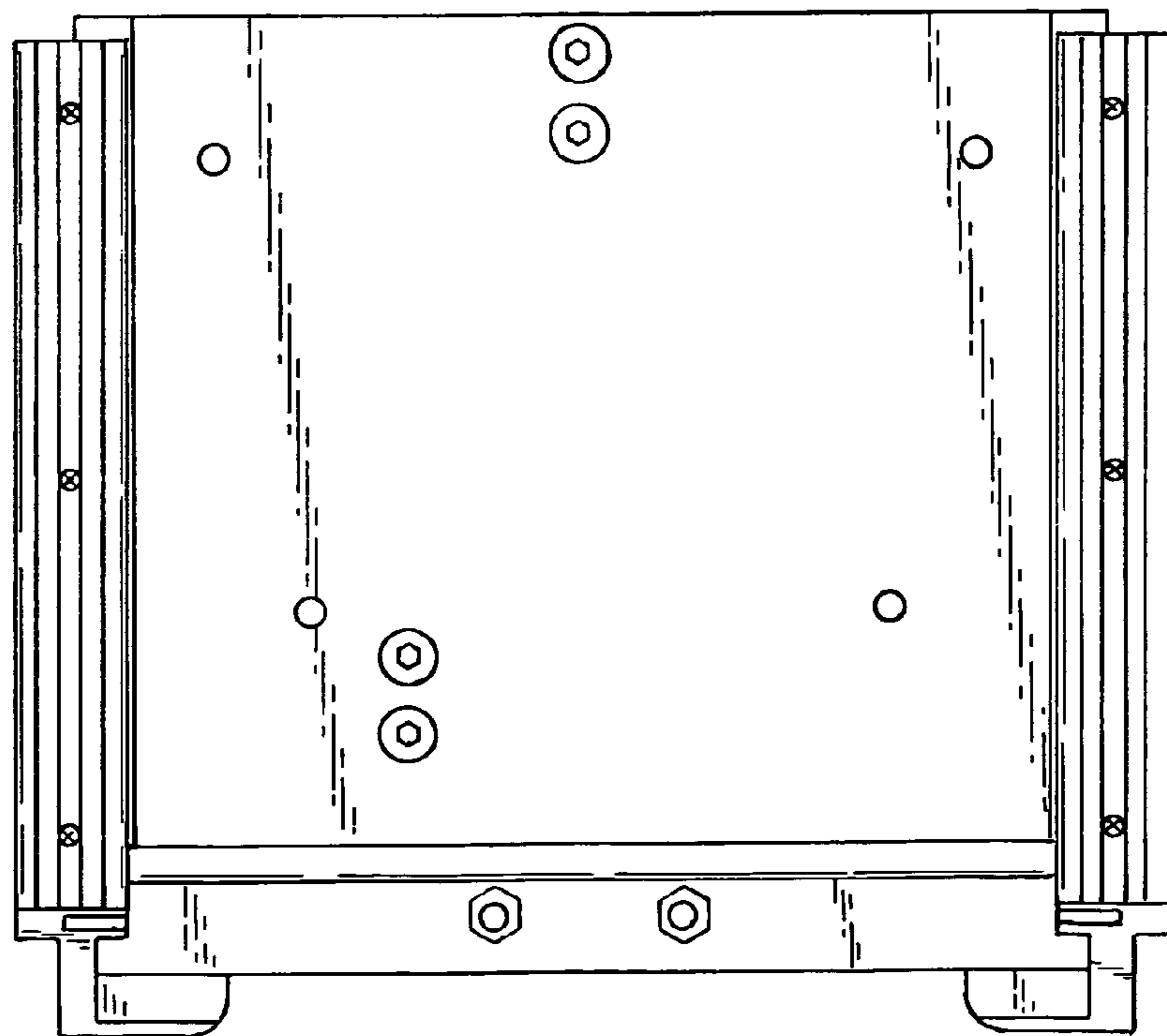
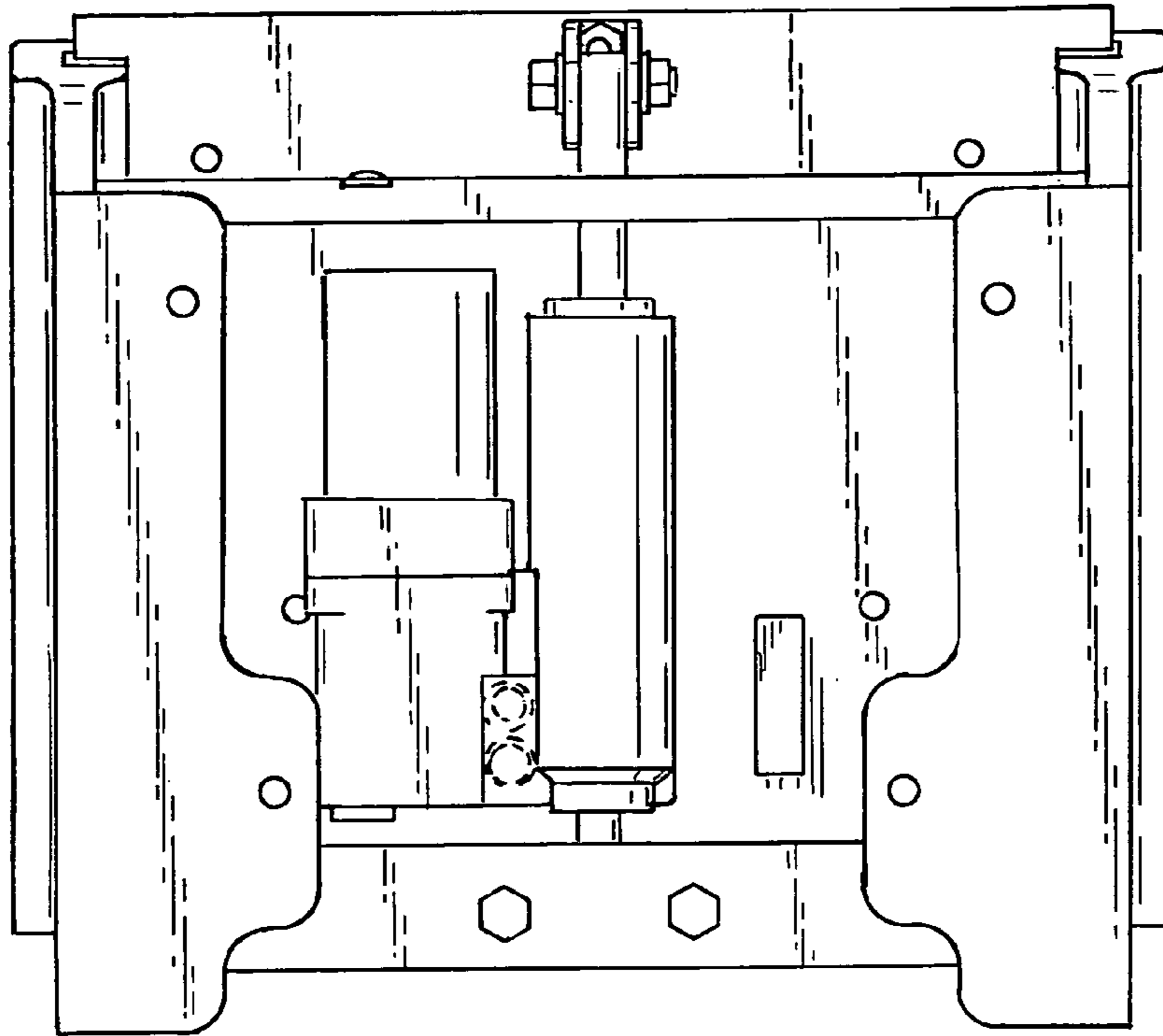


FIG. 2

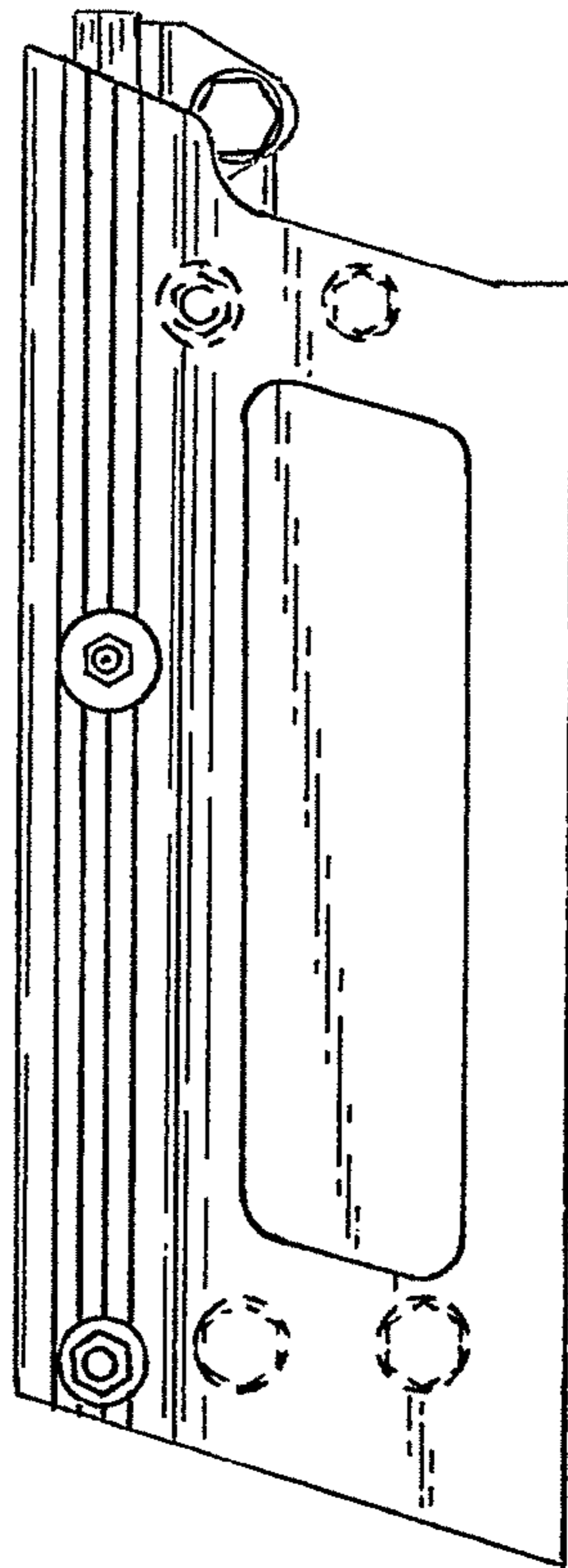


FIG. 3

FIG. 4

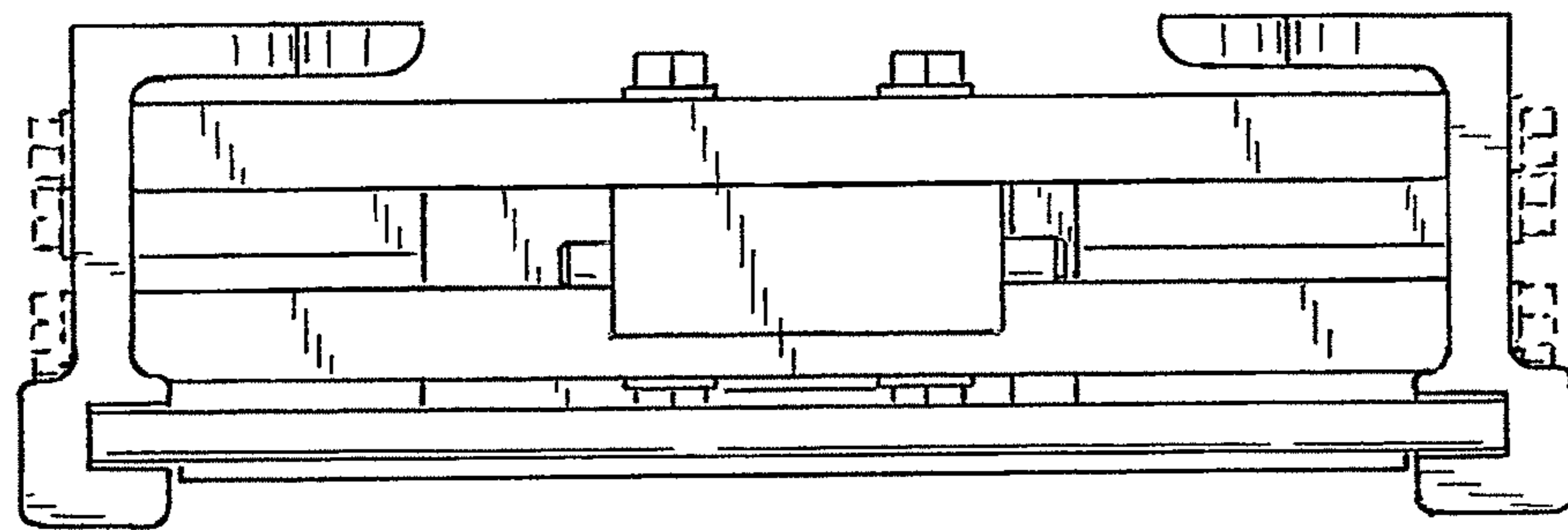
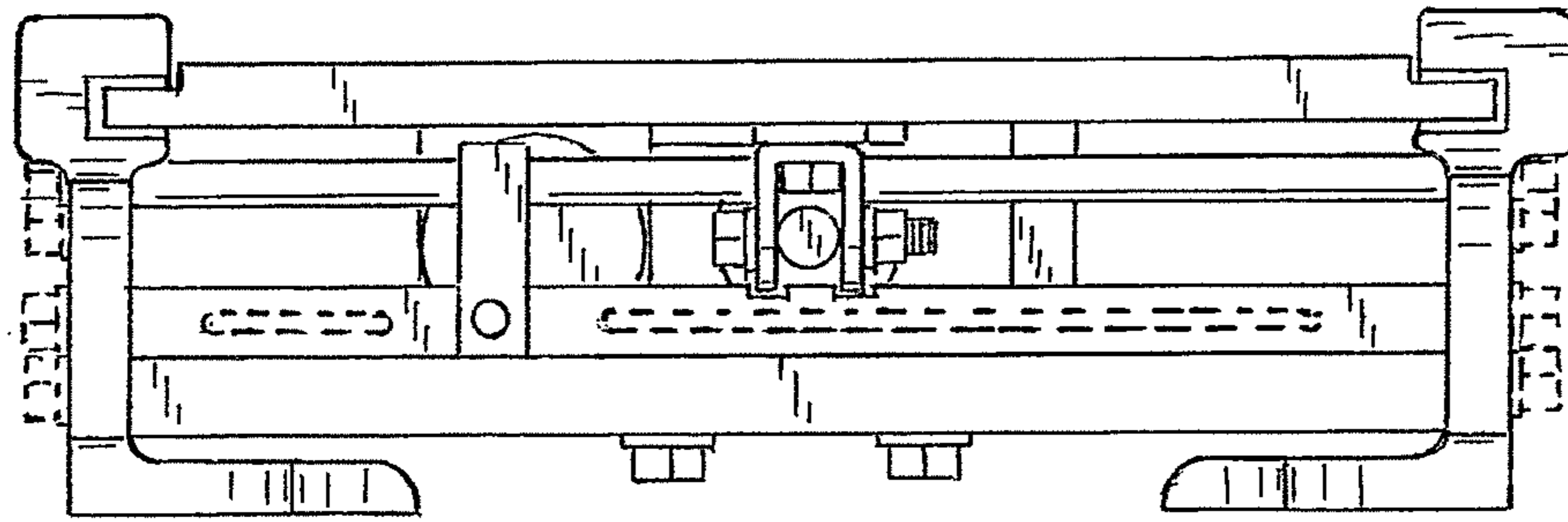


FIG. 5