



US00D701363S

(12) **United States Design Patent**  
**San Clemente**

(10) **Patent No.:** **US D701,363 S**  
(45) **Date of Patent:** **\*\* Mar. 18, 2014**

(54) **MOBILE FIELD STATION**

Mobile Security Computer Cabinet With Rear Access Door & Slid-out Shelf brochure—globalindustrial.com (pp. 317-318)—prior to Jul. 10, 2012.

(75) Inventor: **Thomas Michael San Clemente**,  
Roseville, CA (US)

\* cited by examiner

(73) Assignee: **Performance Contracting, Inc.**,  
Lenexa, KS (US)

*Primary Examiner* — Cynthia Ramirez  
(74) *Attorney, Agent, or Firm* — Womble Carlyle Sandridge & Rice LLP

(\*\*) Term: **14 Years**

(57) **CLAIM**

(21) Appl. No.: **29/426,756**

I claim the ornamental design for a mobile field station, as shown and described.

(22) Filed: **Jul. 10, 2012**

**DESCRIPTION**

(51) **LOC (10) Cl.** ..... **12-02**

(52) **U.S. Cl.**  
USPC ..... **D34/19**

(58) **Field of Classification Search**  
USPC ..... D34/12-27; 280/47.35, 79.11, 79.2,  
280/79.3

See application file for complete search history.

FIG. 1 is a front right perspective view of a first embodiment of a mobile field station;  
FIG. 2 is a rear left perspective thereof;  
FIG. 3 is a front left perspective thereof;  
FIG. 4 is a left side view, the right side being a mirror image thereof;  
FIG. 5 is a front view thereof;  
FIG. 6 is a rear view thereof;  
FIG. 7 is a front left perspective view, with the tray door in an open position, and the lid in an open position;  
FIG. 8 is a front perspective view, with the tray door and tray in open or extended positions, and the lid in an open position;  
FIG. 9 is a front right perspective view, with the tray door and tray in open or extended positions, and the lid in an open position;  
FIG. 10 is a partial left front perspective view with the lid in an open position; and,  
FIG. 11 is a bottom left perspective view with the tray door and tray in open or extended positions, and the lid in an open position.

(56) **References Cited**

**U.S. PATENT DOCUMENTS**

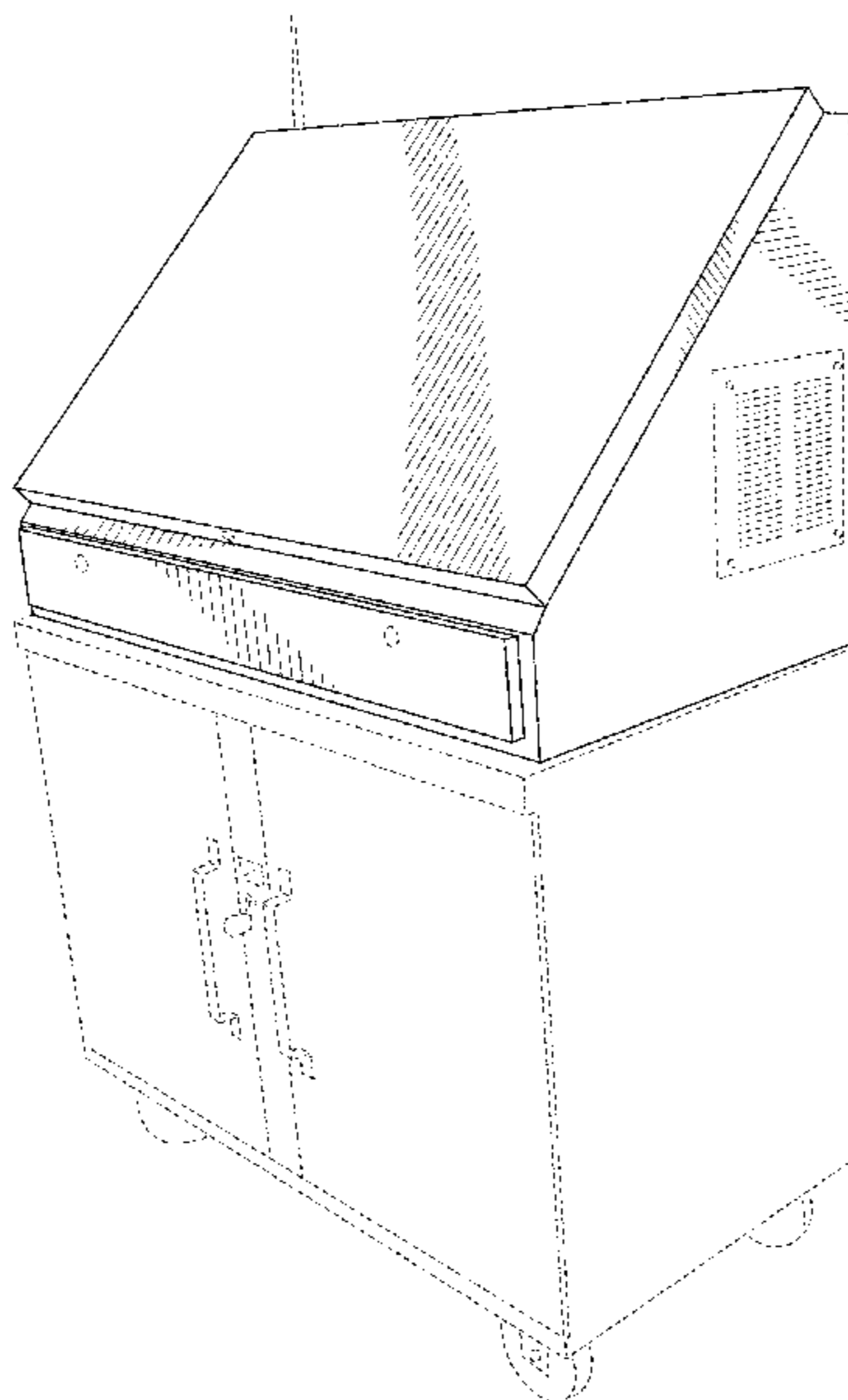
D188,789 S *	9/1960	Hannon	.....	D10/75
D198,077 S *	4/1964	Armbruster	.....	D34/19
D221,216 S *	7/1971	Benjamin et al.	.....	D34/17
D241,099 S *	8/1976	Davis	.....	D6/434
D262,679 S *	1/1982	Lewis, Jr.	.....	D6/407
D444,930 S *	7/2001	Brown	.....	D34/19
D657,163 S *	4/2012	Combs et al.	.....	D6/436
8,474,834 B2 *	7/2013	Abel et al.	.....	280/47.34
2010/0072716 A1 *	3/2010	Grela	.....	280/47.35

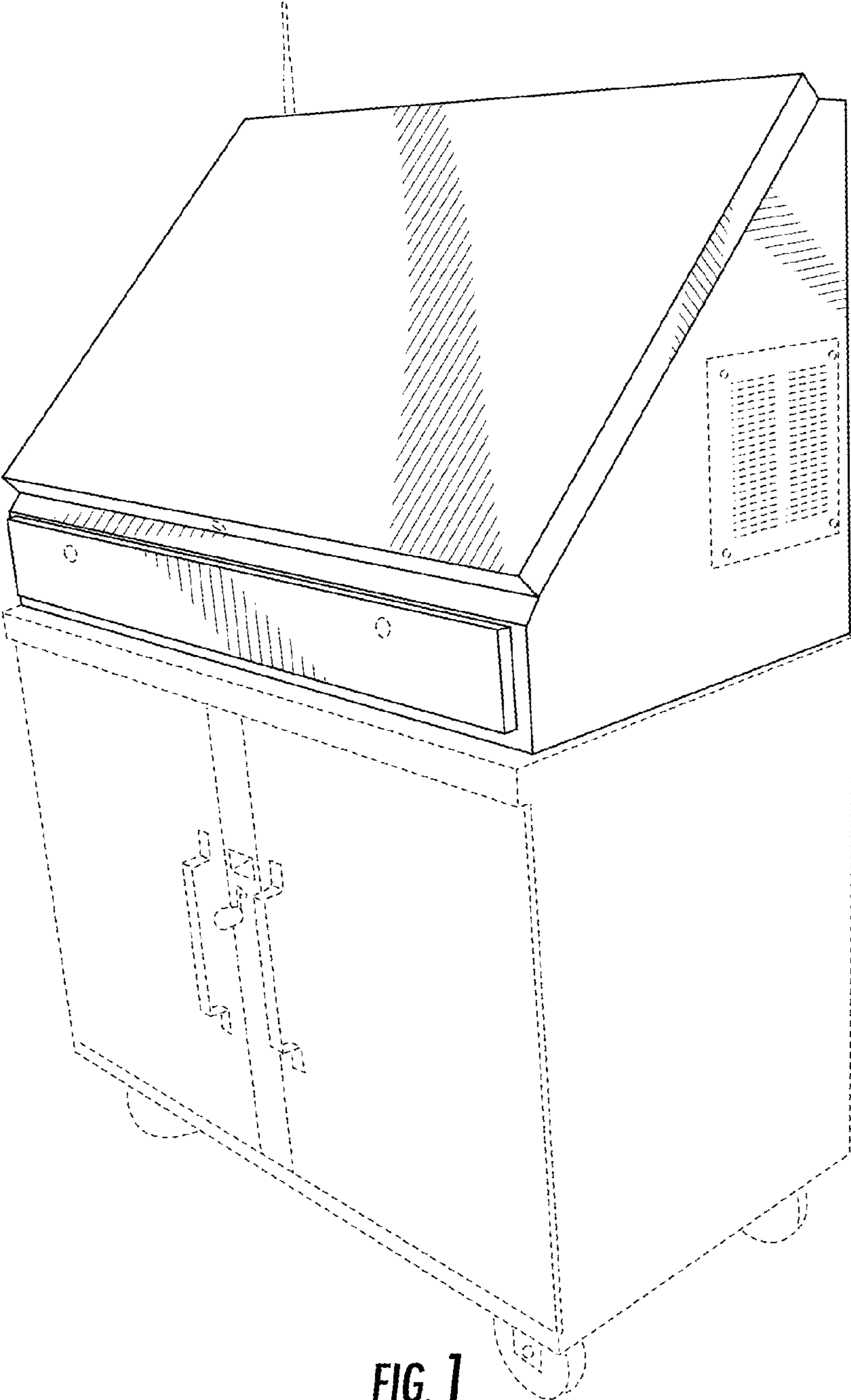
**OTHER PUBLICATIONS**

Knaack LLC brochure “Field Stations—Model 119-01 Field Station” 2 pages Apr. 22, 2012.  
Bim Kiosk, www.BIMKiosk.com, 2 page brochure—prior to Jul. 10, 2012.  
Rolling cabinet distributed by Knaack LLC—prior to Jul. 10, 2012.

The broken line showing of some elements in the figures is included for the purpose of illustrating environment and forms no part of the claimed design.

**1 Claim, 11 Drawing Sheets**





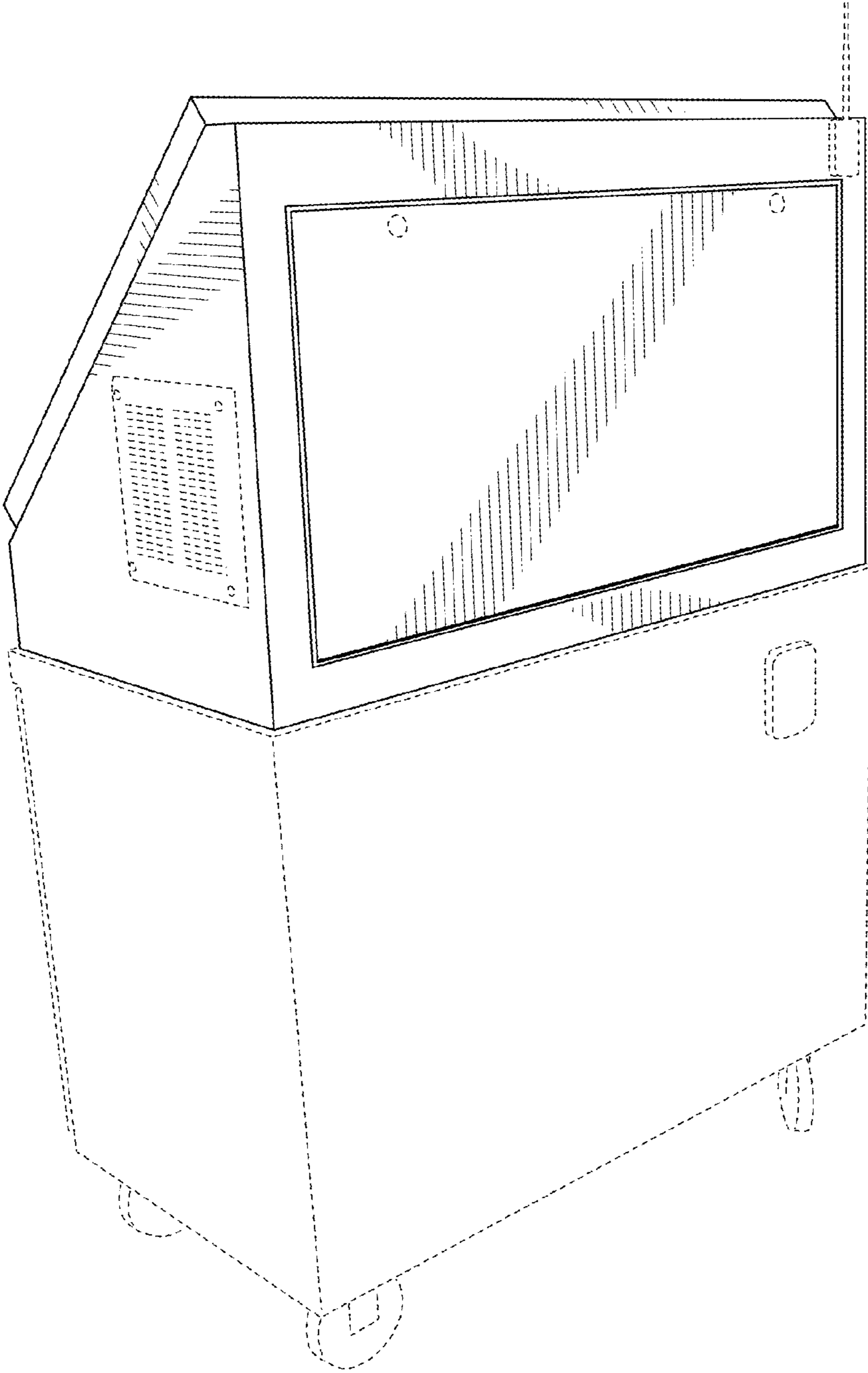


FIG. 2

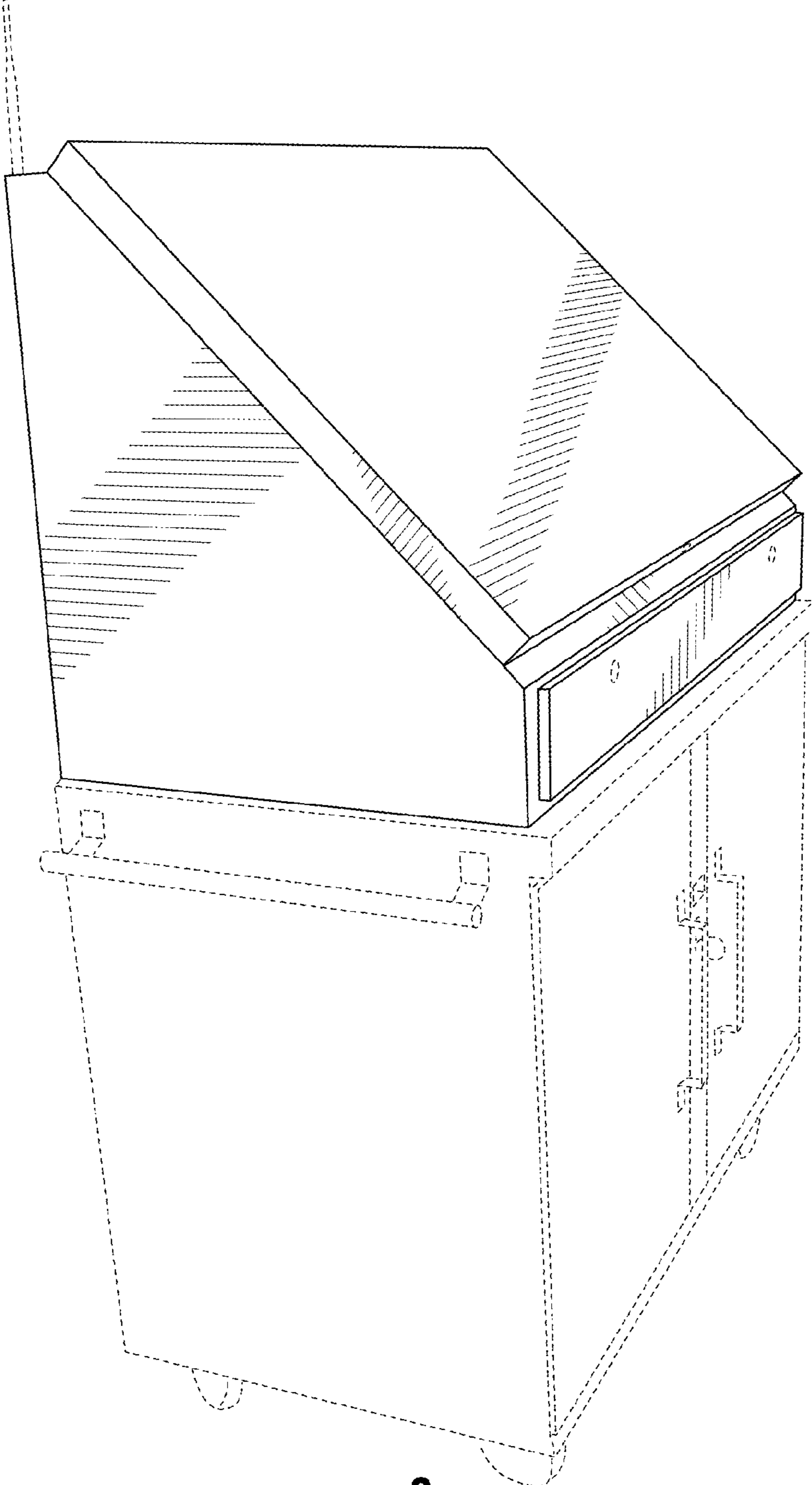


FIG. 3

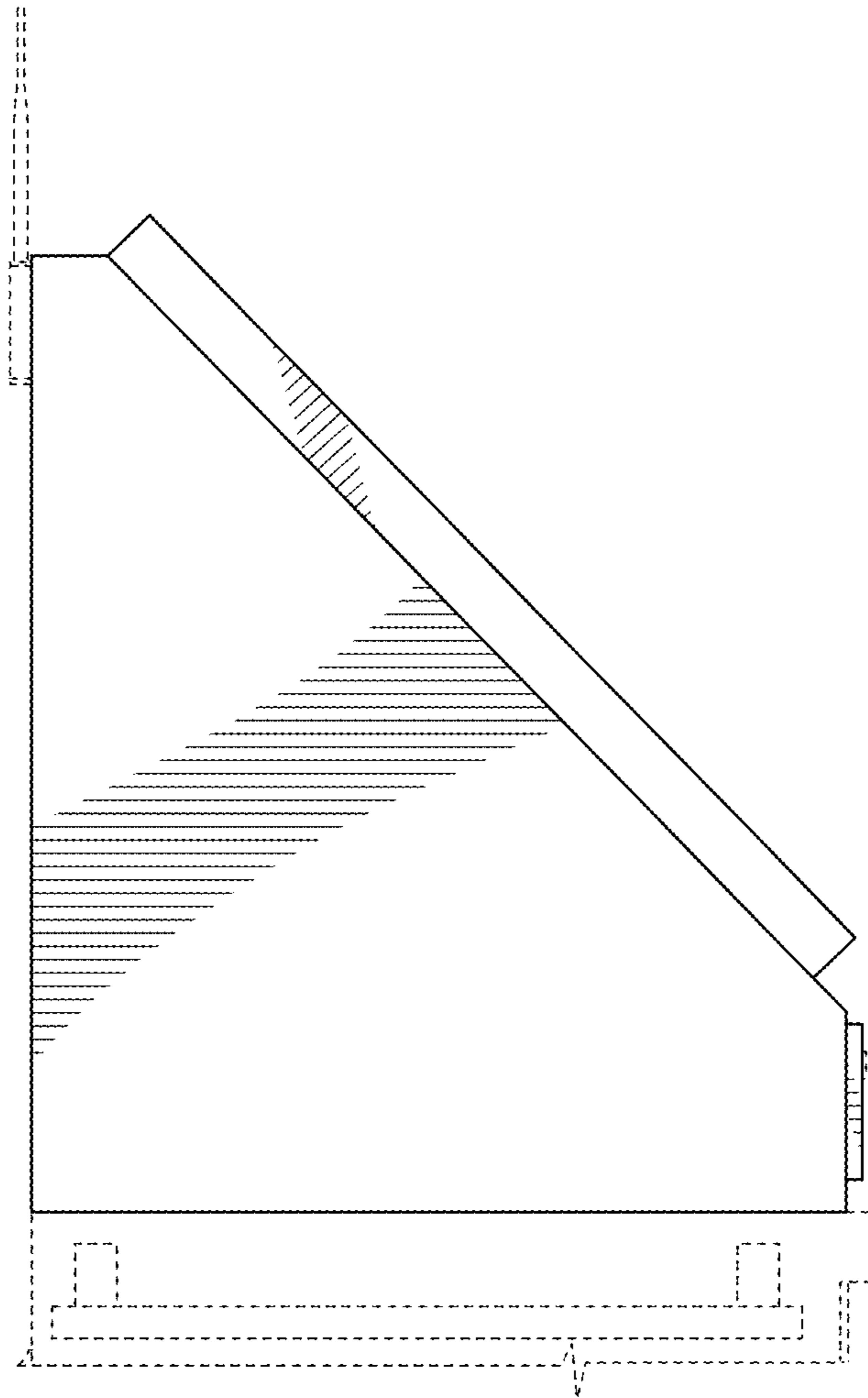


FIG. 4

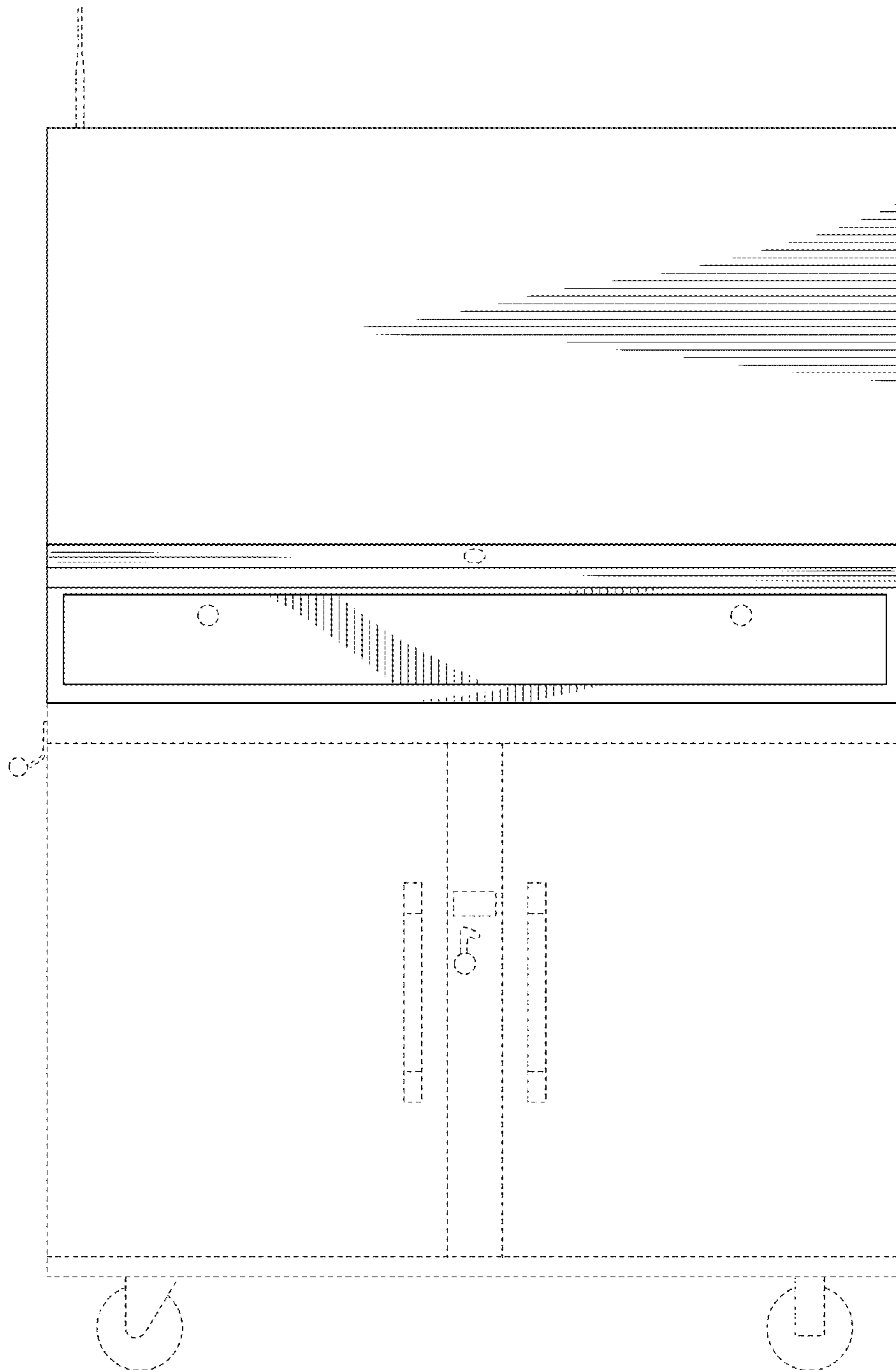


FIG. 5

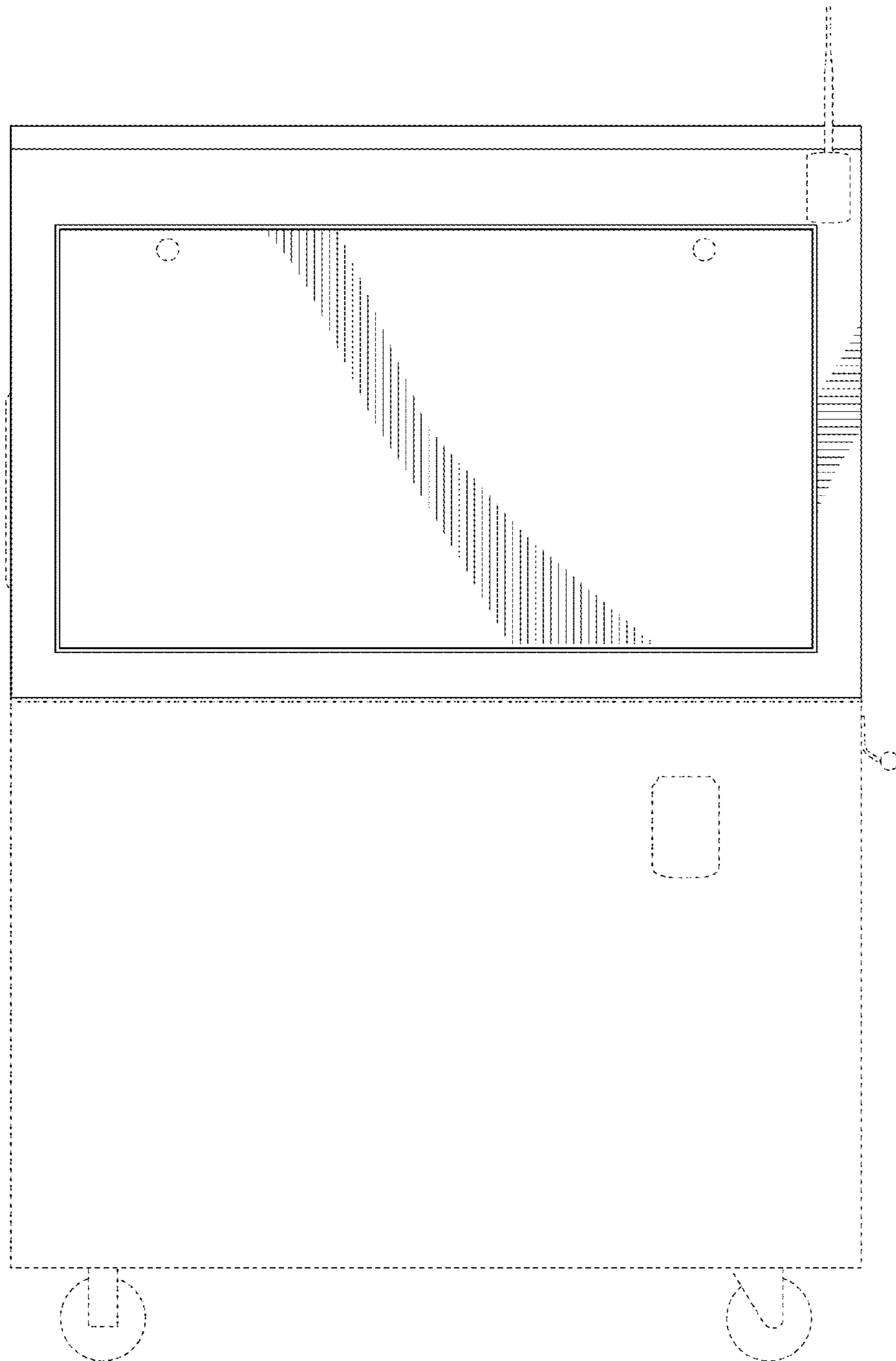


FIG. 6

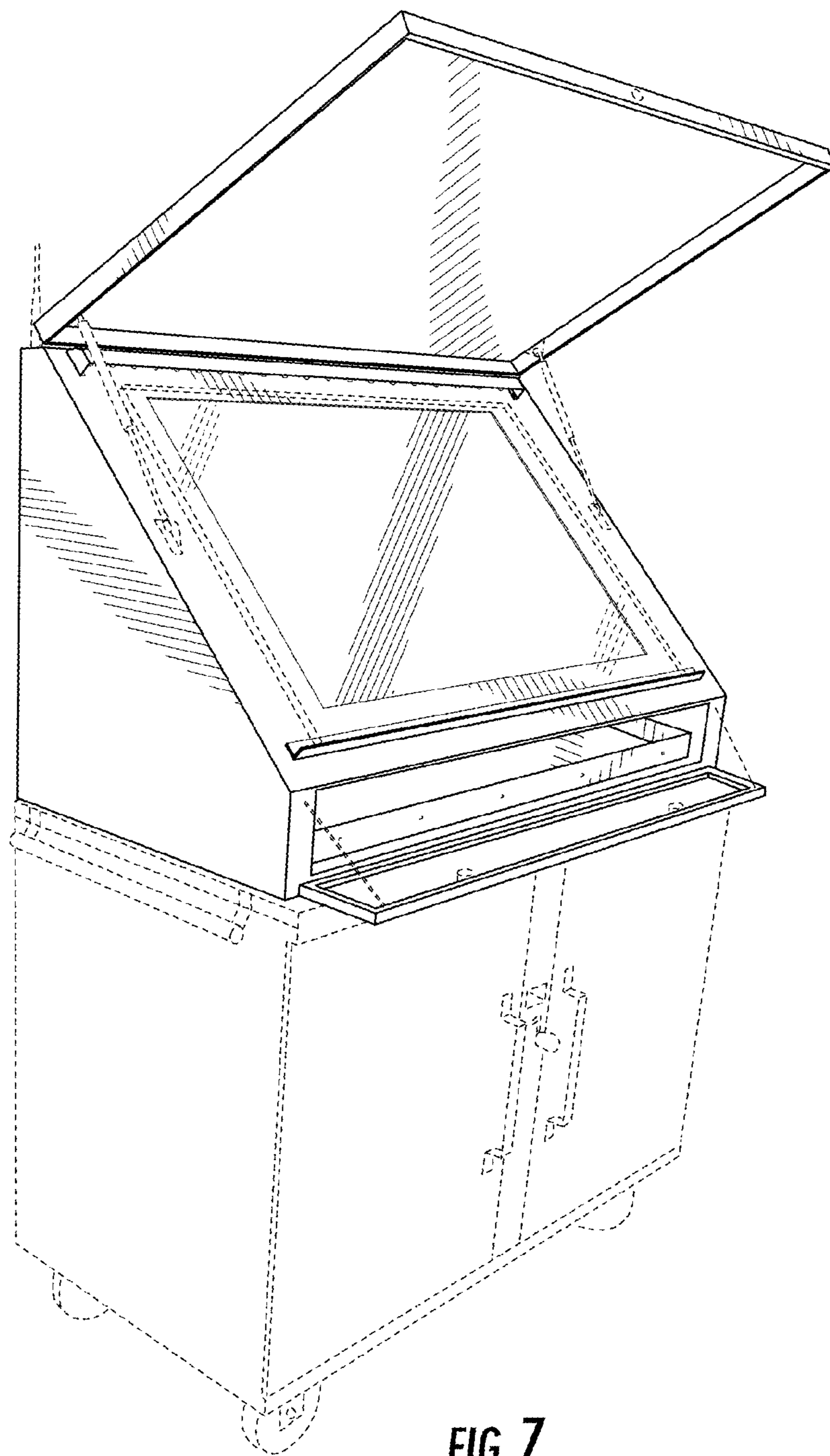


FIG. 7



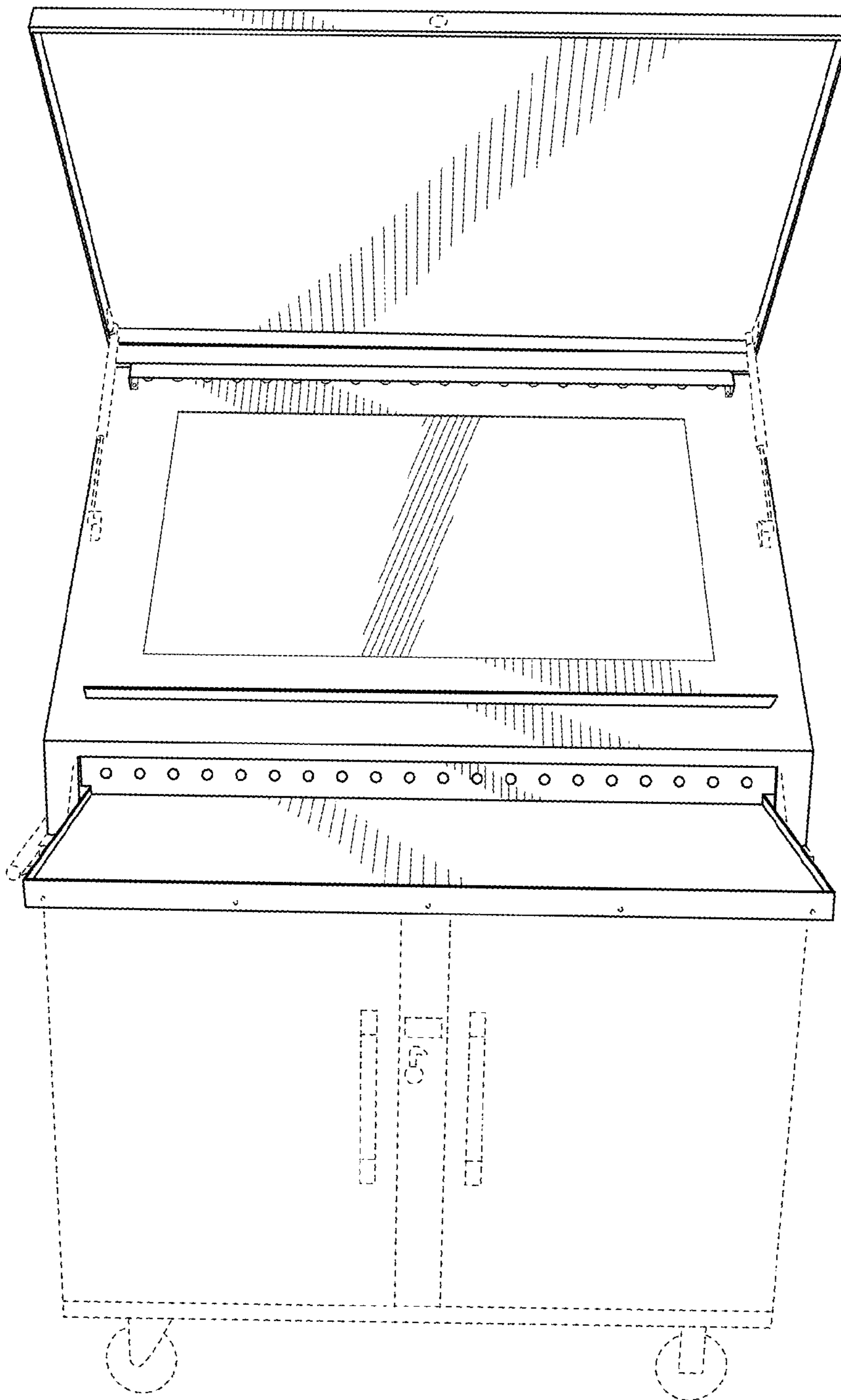


FIG. 8

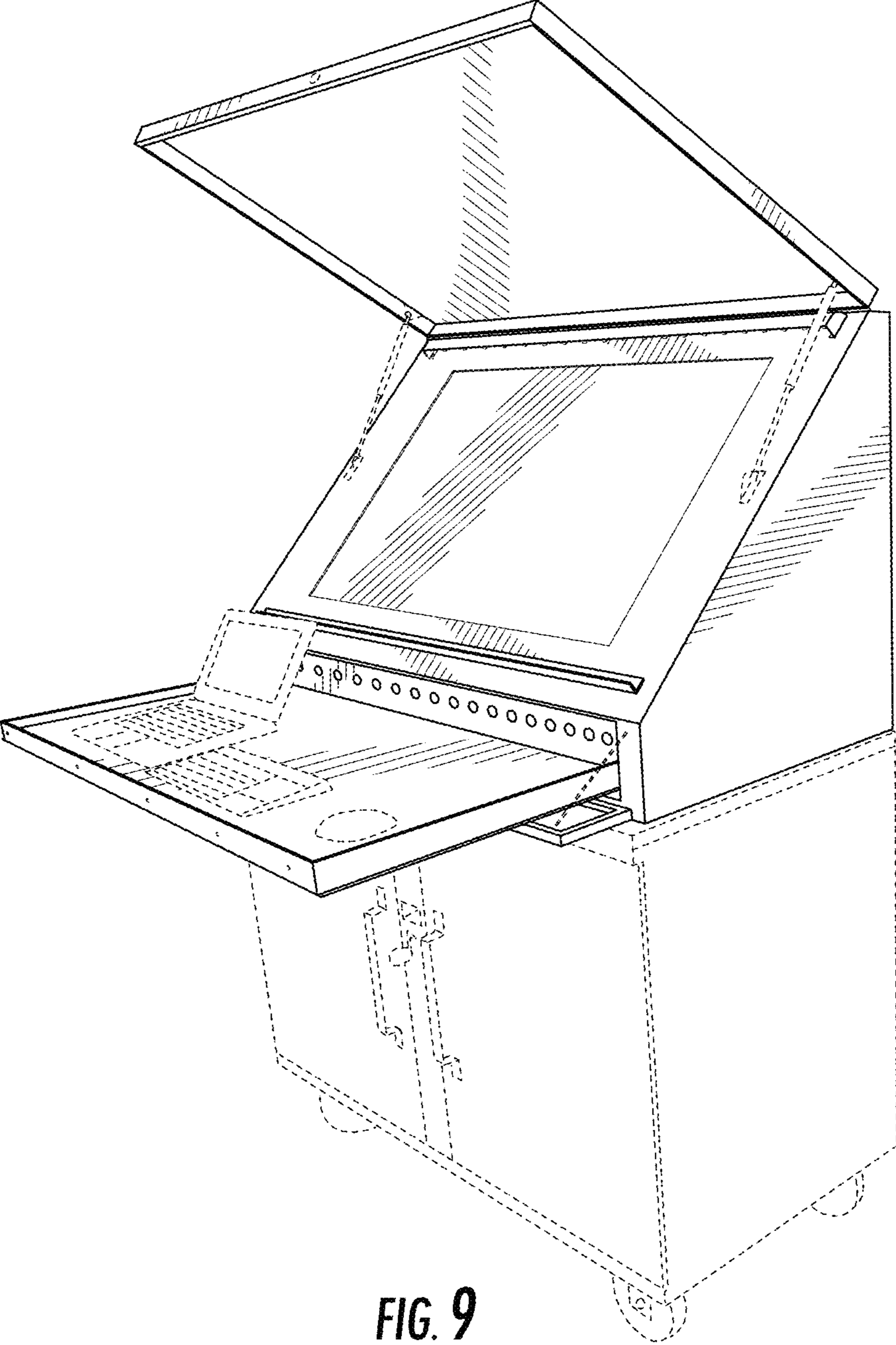
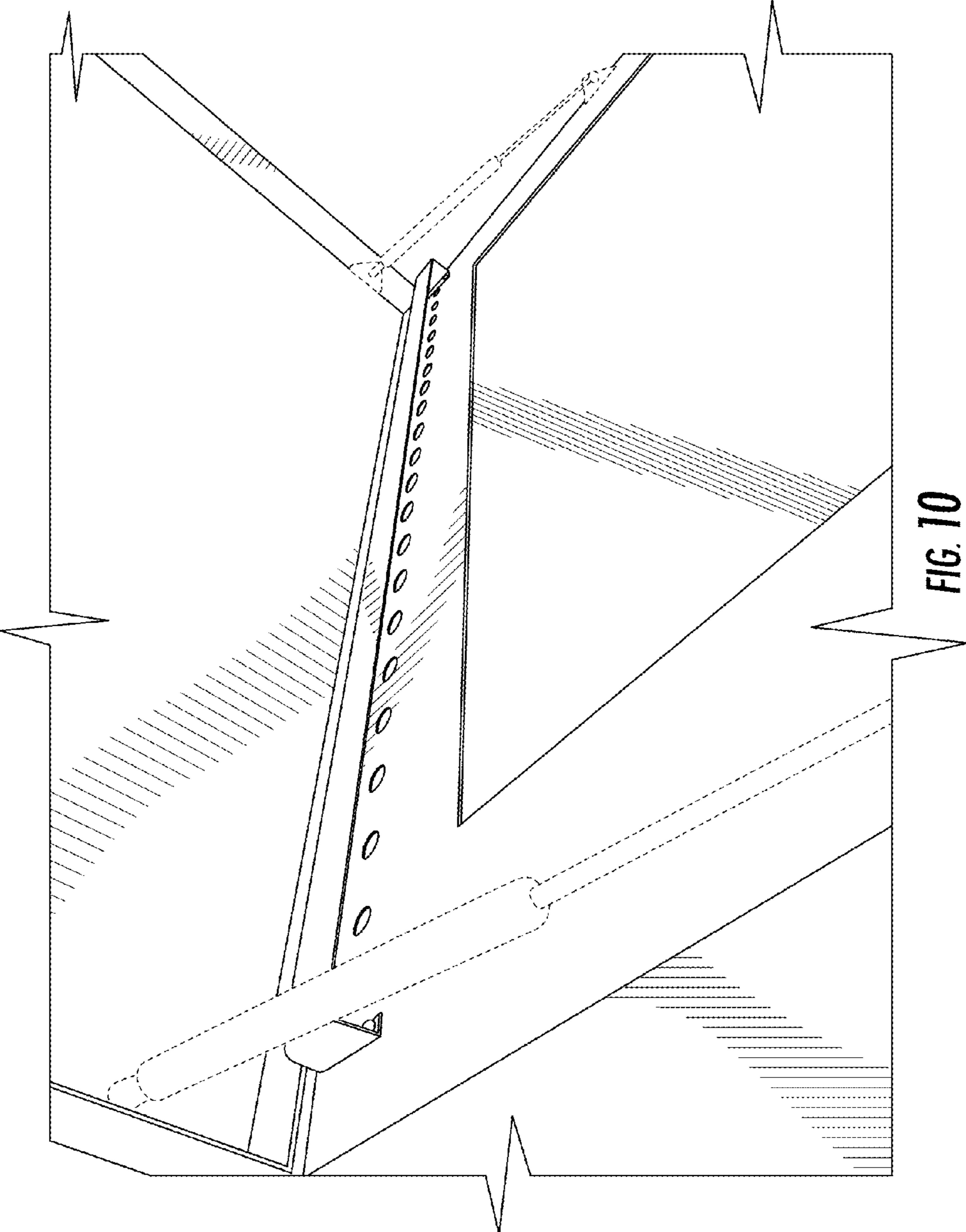


FIG. 9



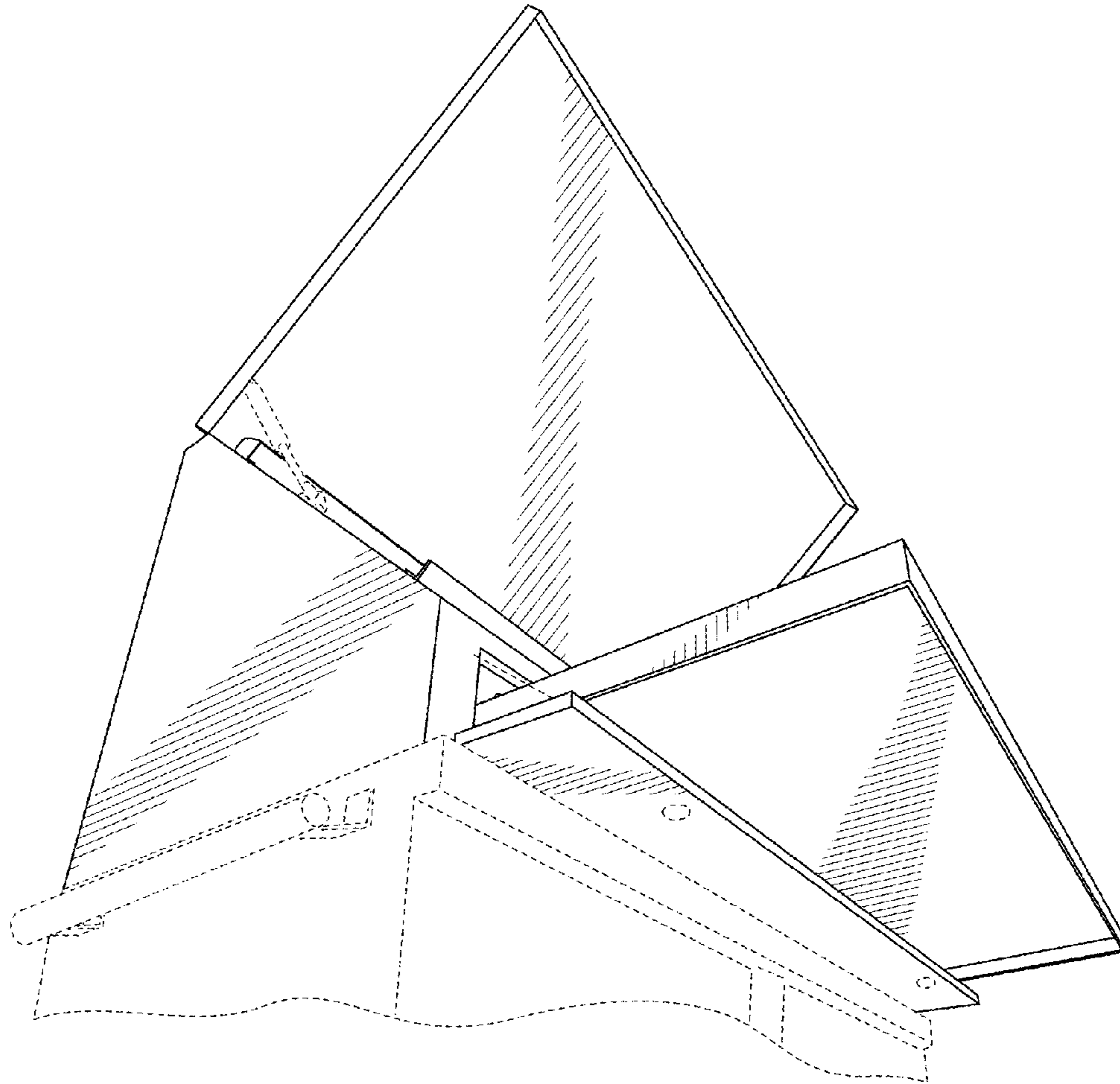


FIG. 11