



US00D701362S

(12) **United States Design Patent**
Smith

(10) **Patent No.:** **US D701,362 S**
(45) **Date of Patent:** **** Mar. 18, 2014**

(54) **IRON WITH STEAM GENERATOR**

(71) Applicant: **Peter Jonathan Smith**, Amsterdam (NL)

(72) Inventor: **Peter Jonathan Smith**, Amsterdam (NL)

(73) Assignee: **Koninklijke Philips N.V.**, Eindhoven (NL)

(**) Term: **14 Years**

(21) Appl. No.: **29/452,031**

(22) Filed: **Apr. 11, 2013**

(30) **Foreign Application Priority Data**

Oct. 11, 2012 (EM) 002117341-0003

(51) **LOC (10) Cl.** **07-05**

(52) **U.S. Cl.**
USPC **D32/70**

(58) **Field of Classification Search**
USPC D32/73, 72, 71, 70, 69, 68, 35;
392/404; 38/97, 96, 93, 88, 77.9,
38/77.83, 77.82, 77.81, 77.8, 77.7, 77.6,
38/77.5, 77.3, 77.1; 219/251, 245
See application file for complete search history.

(56) **References Cited**

U.S. PATENT DOCUMENTS

D316,768 S * 5/1991 Komar D32/73
D439,023 S * 3/2001 Powell D32/73

D452,354 S * 12/2001 Hsu D32/70
D463,641 S * 9/2002 Powell D32/71
D470,637 S * 2/2003 Berthier D32/73
D548,418 S * 8/2007 Cahen D32/70
D564,166 S * 3/2008 Yang D32/73
D575,019 S * 8/2008 Choi D32/68
D576,369 S * 9/2008 Choi D32/68
D581,620 S * 11/2008 Chu D32/68
D660,538 S * 5/2012 Smith D32/71
D667,600 S * 9/2012 Smith D32/70

* cited by examiner

Primary Examiner — Austin Murphy

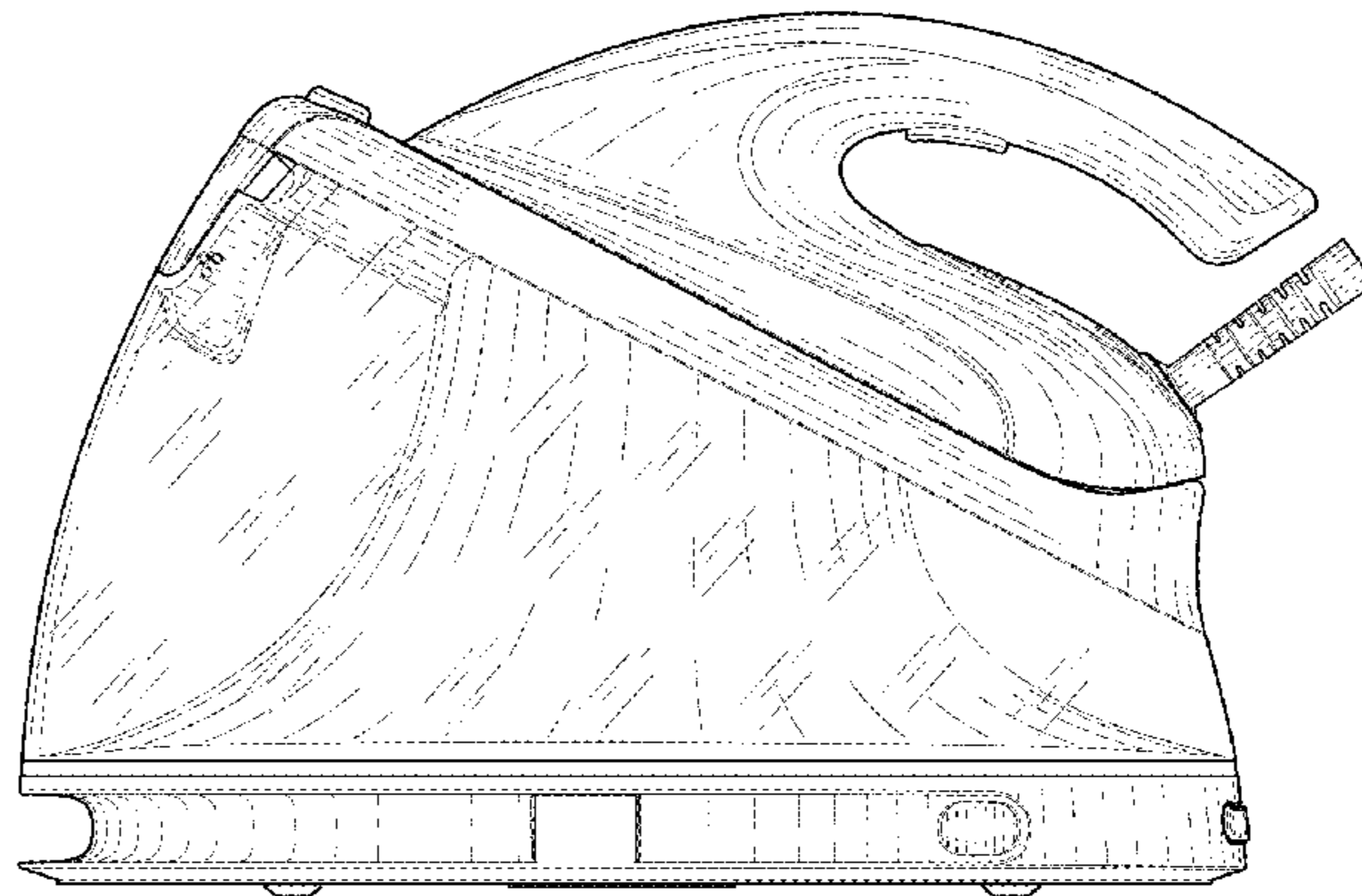
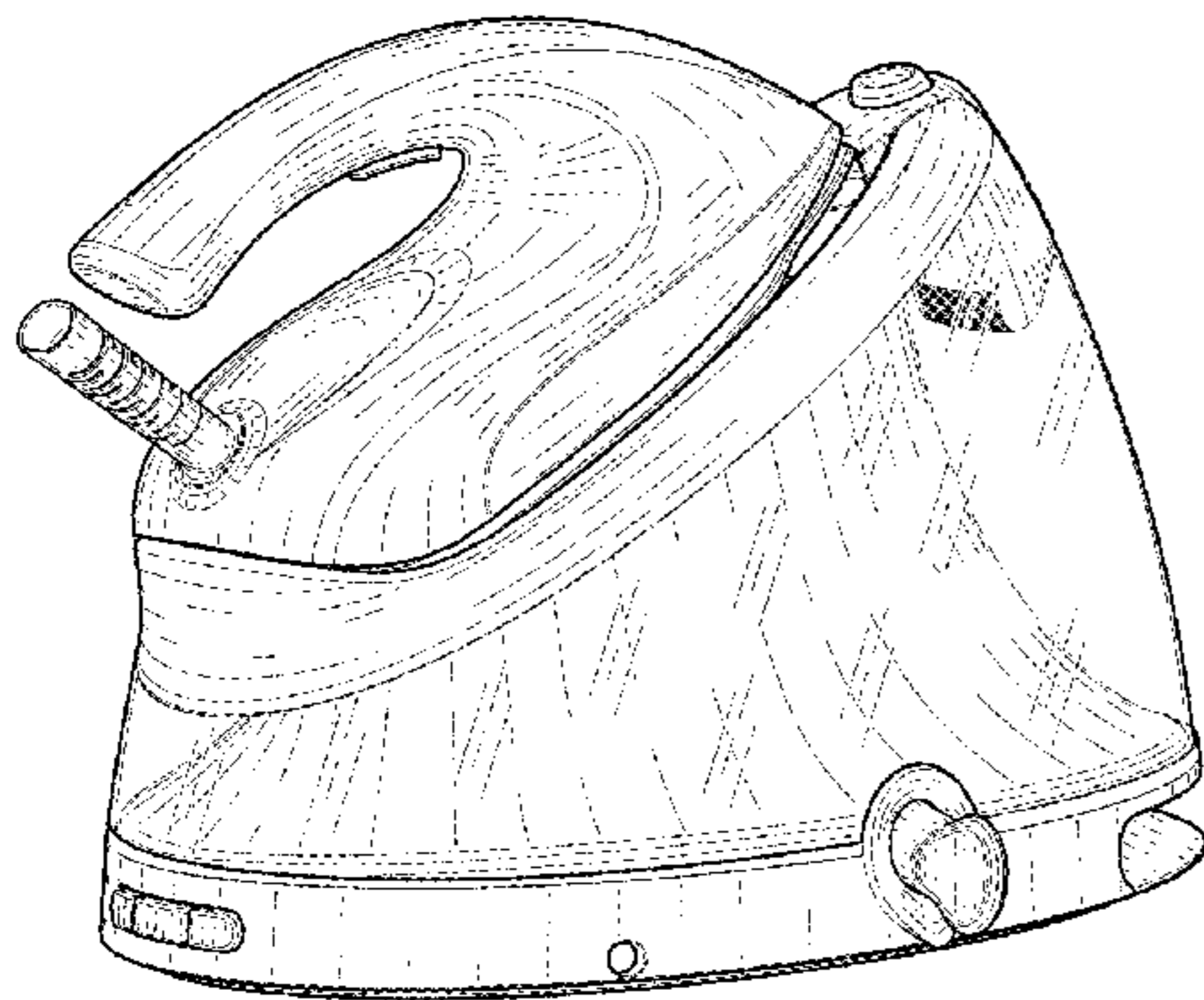
(57) **CLAIM**

The ornamental design for an iron with steam generator, as shown.

DESCRIPTION

FIG. 1 is a perspective view showing my design;
FIG. 2 is a front elevational view thereof;
FIG. 3 is a rear elevational view thereof;
FIG. 4 is a right side elevational view thereof;
FIG. 5 is a left side elevational view thereof;
FIG. 6 is a top plan view thereof; and,
FIG. 7 is a bottom plan view thereof.
The broken lines shown in the drawings represent portions of the iron with steam generator that form no part of the claimed design.

1 Claim, 5 Drawing Sheets



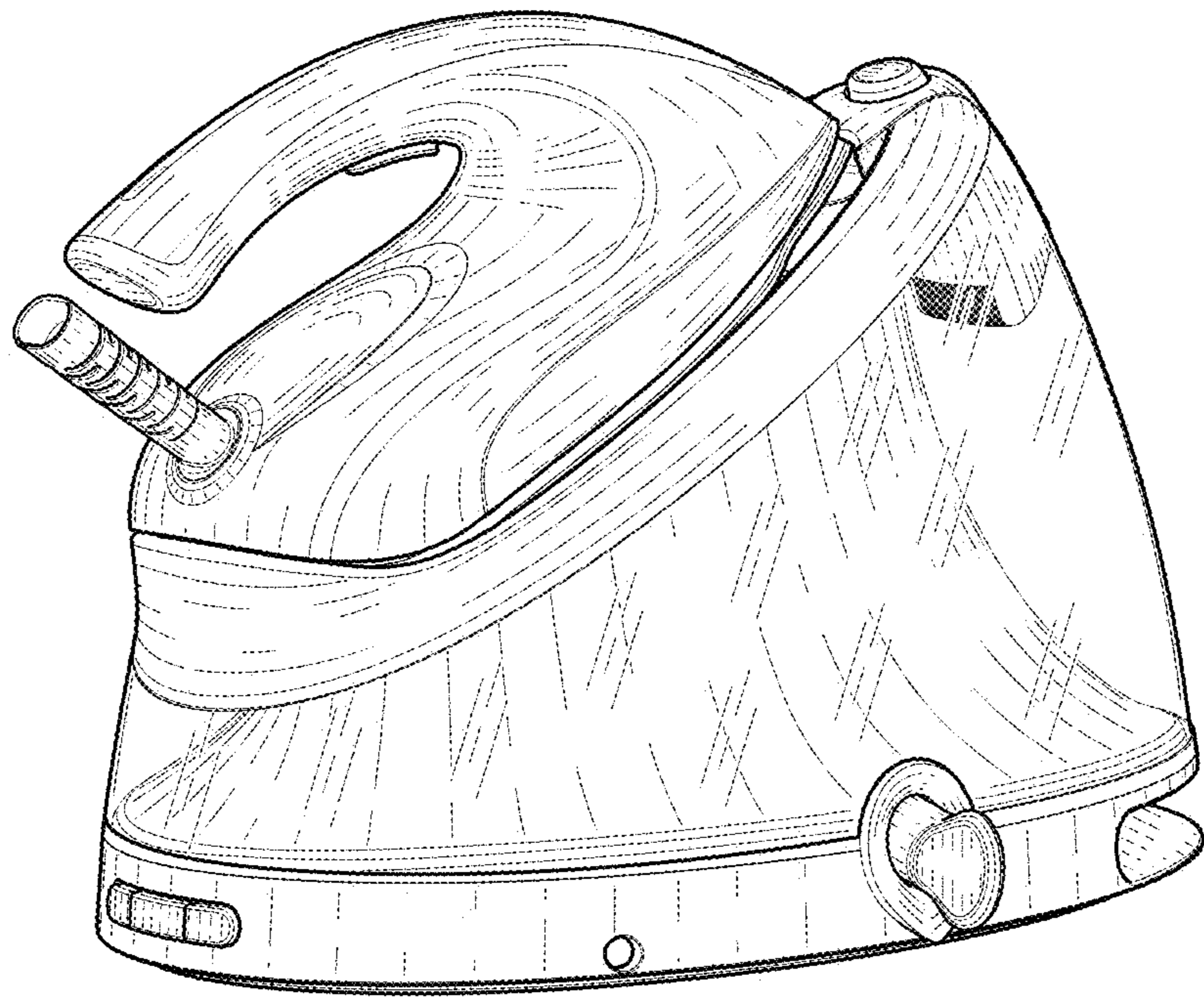


FIG. 1

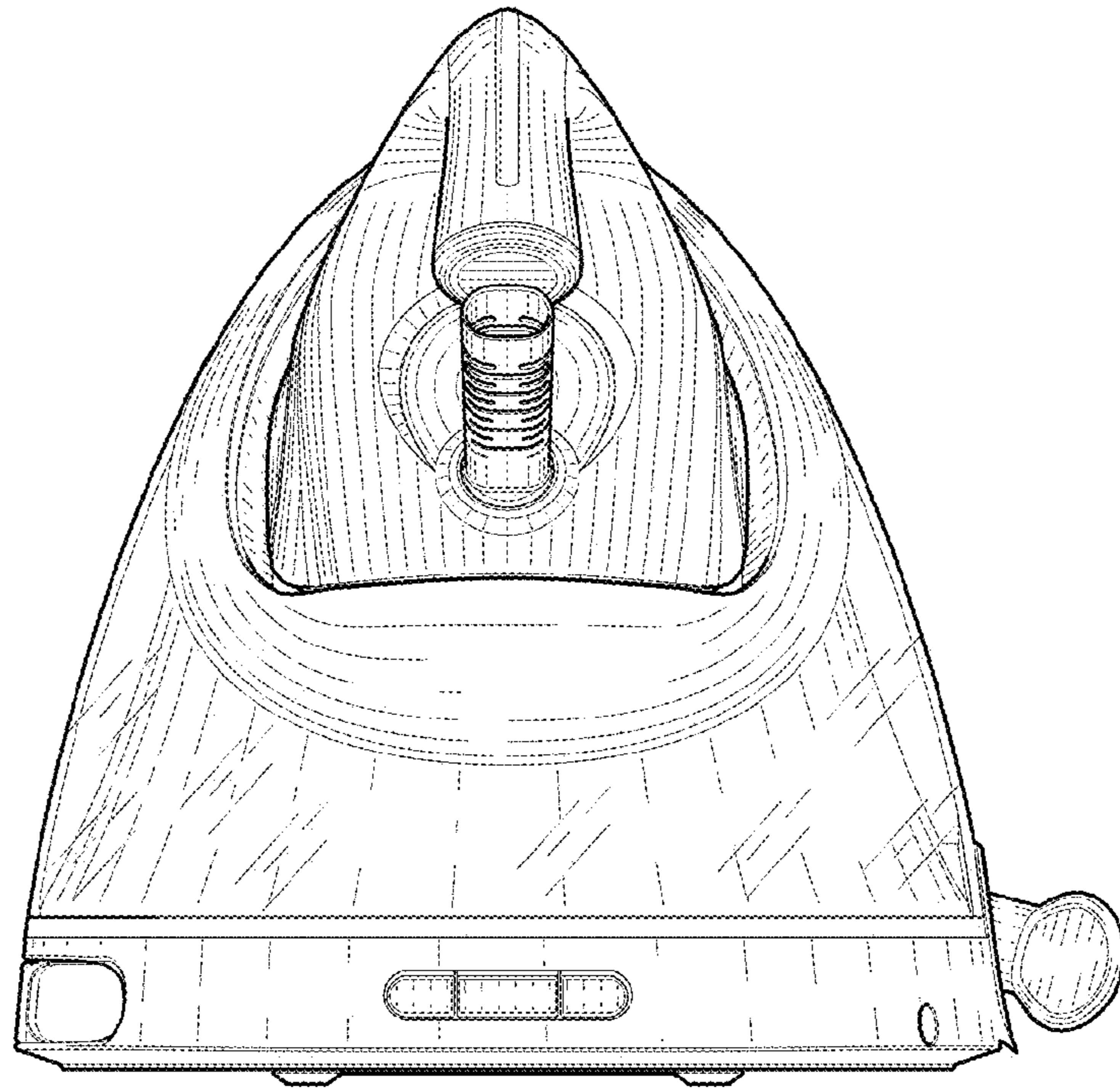


FIG. 2

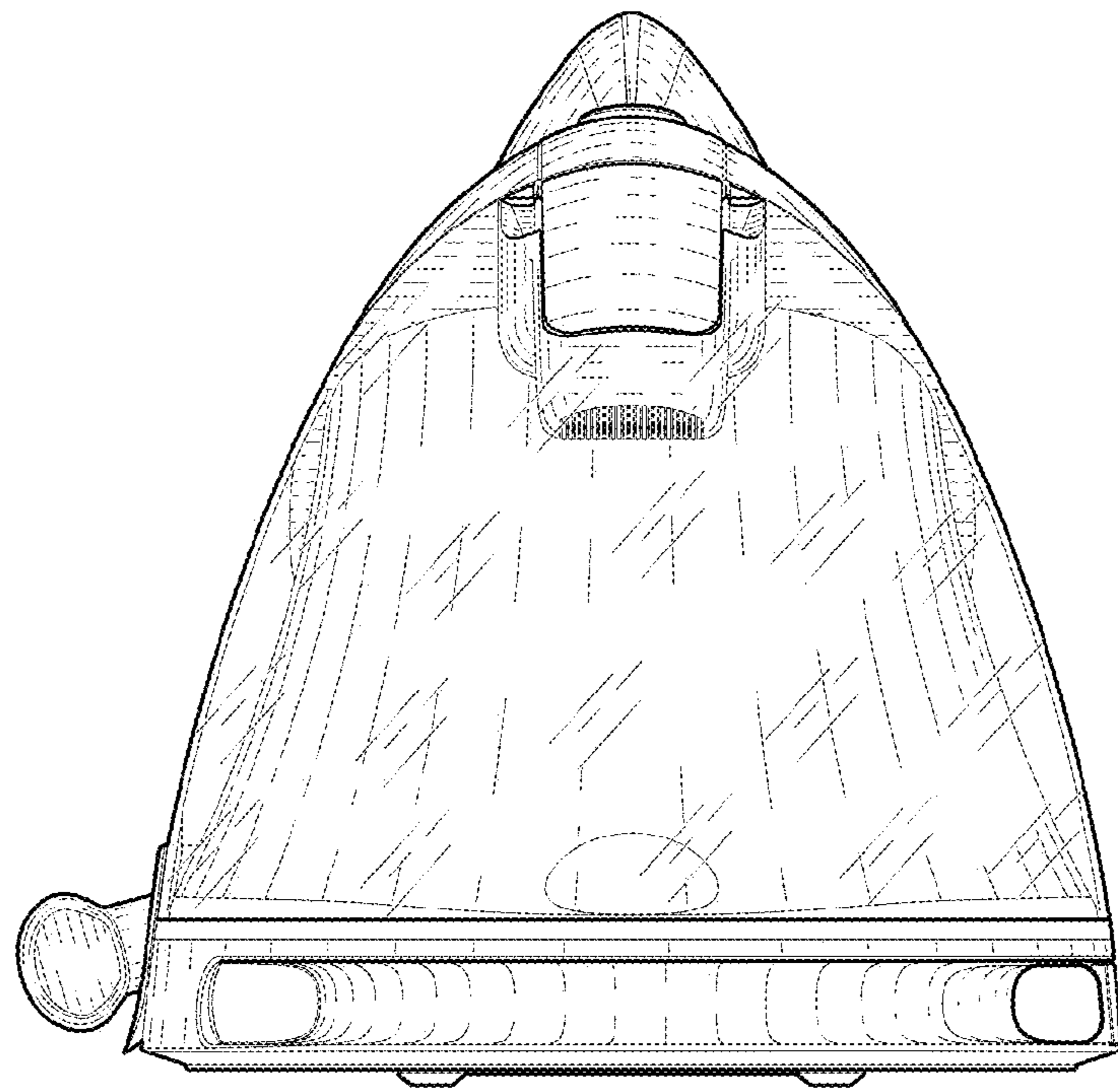


FIG. 3

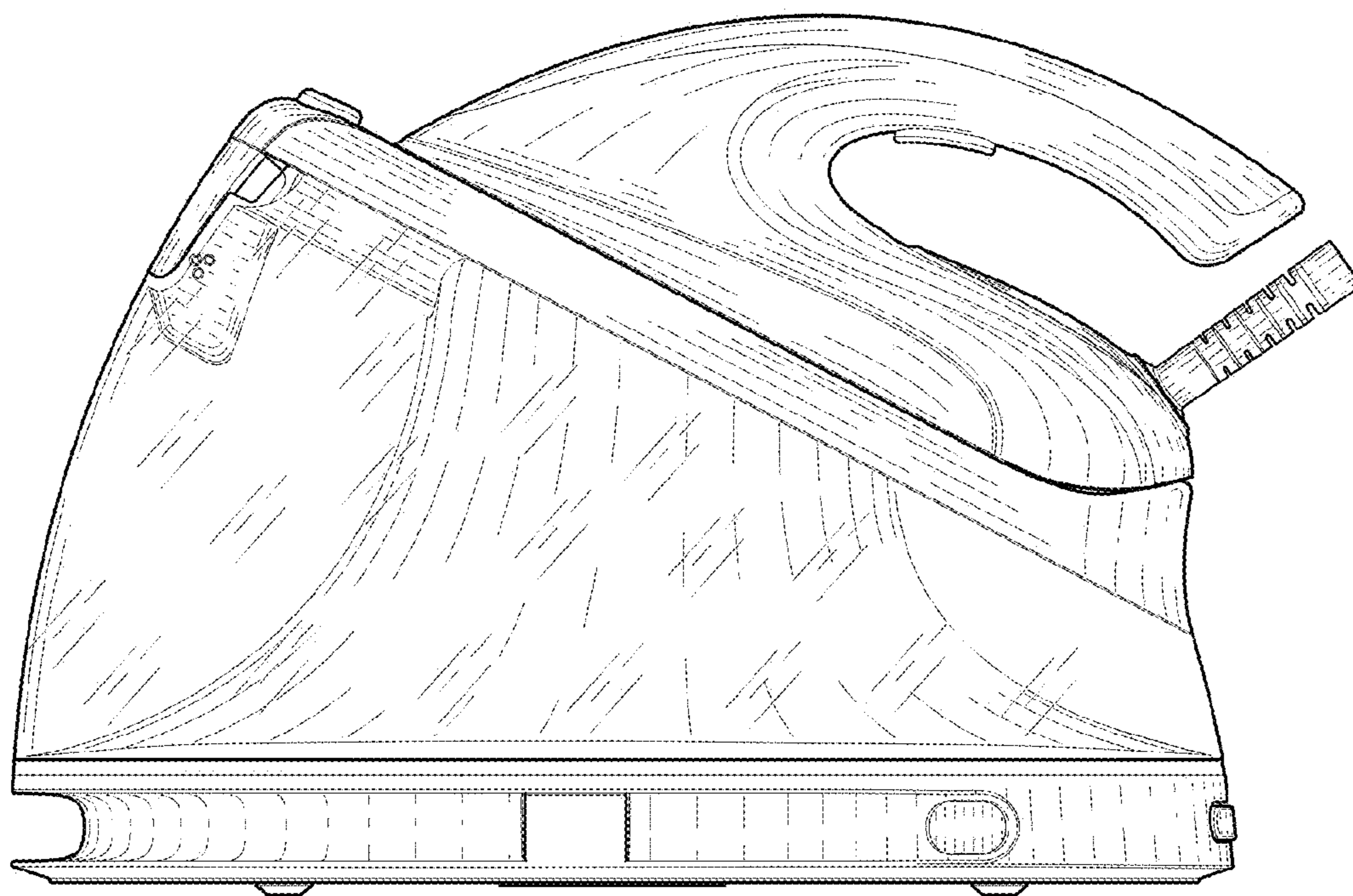


FIG. 4

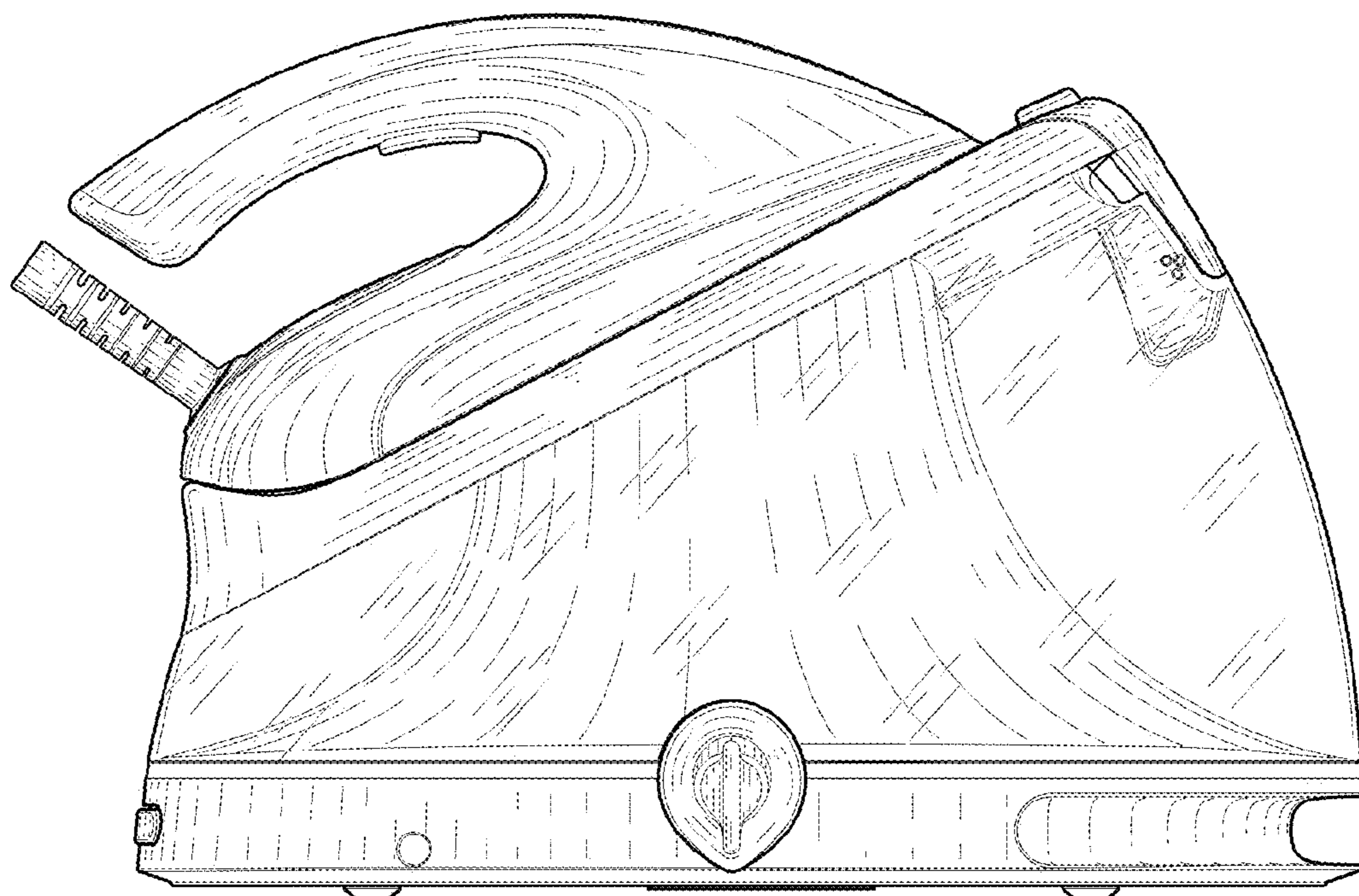


FIG. 5

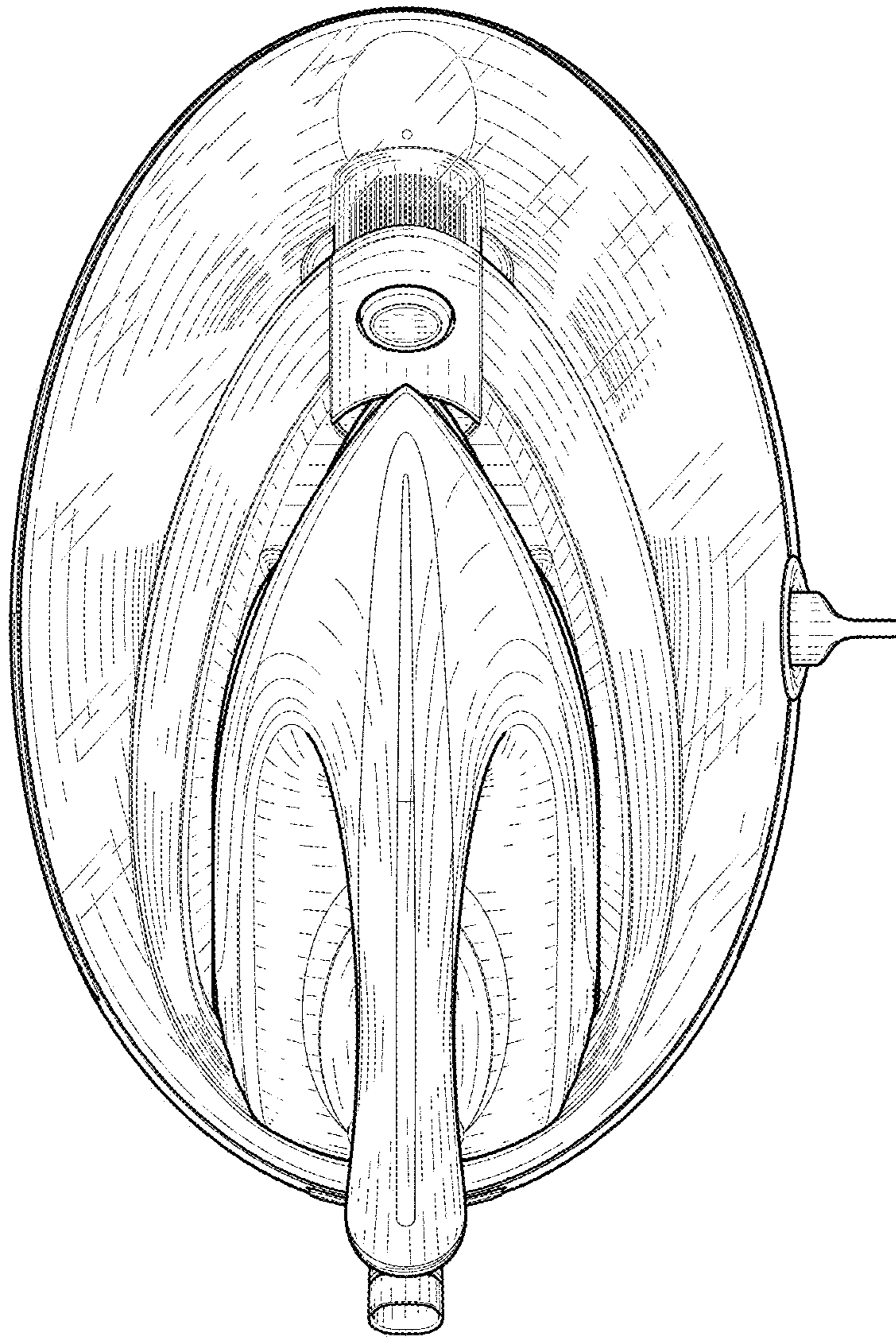


FIG. 6

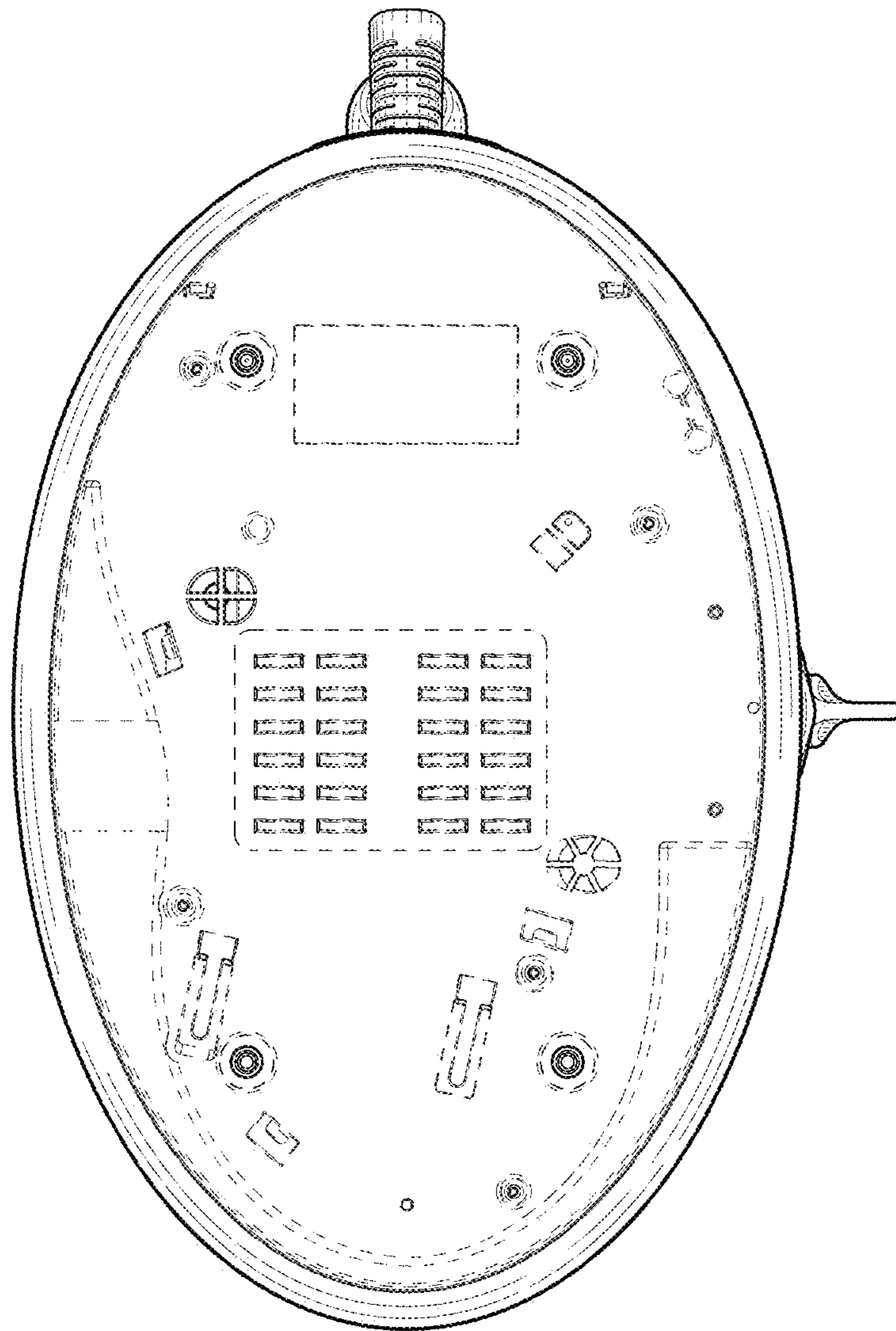


FIG. 7