



US00D701359S

(12) **United States Design Patent**
Eng et al.

(10) **Patent No.:** **US D701,359 S**
(45) **Date of Patent:** **** Mar. 18, 2014**

(54) **DISHWASHER CONTROL PANEL**
(71) Applicant: **BSH Home Appliances Corporation**,
Irvine, CA (US)
(72) Inventors: **Lindsay Eng**, Long Beach, CA (US);
Thomas Ott, Neubiberg (DE)
(73) Assignee: **BSH Home Appliances Corporation**,
Irvine, CA (US)
(**) Term: **14 Years**

D627,937 S * 11/2010 Kim D32/2
D635,312 S * 3/2011 Kaczmarek D32/3
D665,956 S * 8/2012 Eng et al. D32/2
D665,957 S * 8/2012 Eng et al. D32/2
D668,402 S * 10/2012 Eng et al. D32/3
D668,404 S * 10/2012 Eng et al. D32/3
D670,457 S * 11/2012 Eng D32/3
D672,101 S * 12/2012 Eng et al. D32/3
D673,742 S * 1/2013 Eng et al. D32/2
D677,843 S * 3/2013 Eng et al. D32/3
D681,289 S * 4/2013 Eng et al. D32/3
D684,734 S * 6/2013 Eng et al. D32/3
D684,735 S * 6/2013 Eng et al. D32/3
D689,248 S * 9/2013 Eng D32/3

(21) Appl. No.: **29/461,669**
(22) Filed: **Jul. 26, 2013**

* cited by examiner

Related U.S. Application Data

Primary Examiner — T. Chase Nelson
Assistant Examiner — Kathleen M Sims
(74) *Attorney, Agent, or Firm* — James E. Howard; Andre Pallapies

(62) Division of application No. 29/450,984, filed on Mar. 27, 2013, which is a division of application No. 29/443,699, filed on Jan. 22, 2013, now Pat. No. Des. 685,149, which is a division of application No. 29/429,937, filed on Aug. 20, 2012, now Pat. No. Des. 681,290, which is a division of application No. 29/418,060, filed on Apr. 12, 2012, now Pat. No. Des. 672,101.

(51) **LOC (10) Cl.** **15-05**
(52) **U.S. Cl.**
USPC **D32/3**
(58) **Field of Classification Search**
USPC D32/1-3, 25, 28; 312/31, 109, 228;
134/56 D, 57 D, 58 D, 58 DL, 201;
D7/340, 348-350, 405
See application file for complete search history.

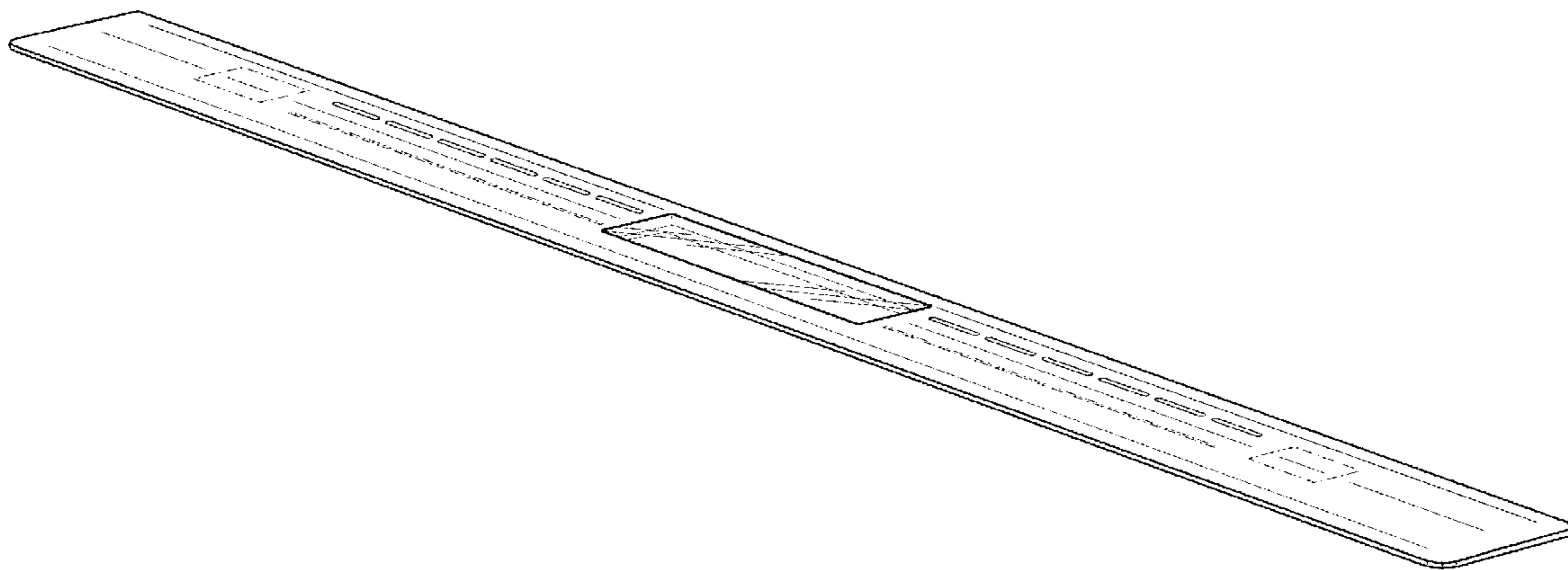
(57) **CLAIM**
The ornamental design for a dishwasher control panel, as shown and described.

DESCRIPTION

FIG. 1 is a front perspective view of a dishwasher control panel according our new ornamental design;
FIG. 2 is a front view thereof;
FIG. 3 is an enlarged view of the detail delineated by dotted lines in FIG. 2; and,
FIG. 4 is a right side view thereof, with the left side view being a mirror image thereof.
The dotted lines of FIGS. 2 and 3 represent the border of the control panel detail that is shown as an enlarged view.
The chain lines (dot-dash-dot) shown in FIGS. 1-3 represent borders of various touch/contact buttons forming no part of the claimed design.

(56) **References Cited**
U.S. PATENT DOCUMENTS
5,365,959 A * 11/1994 Favaro 134/113

1 Claim, 1 Drawing Sheet



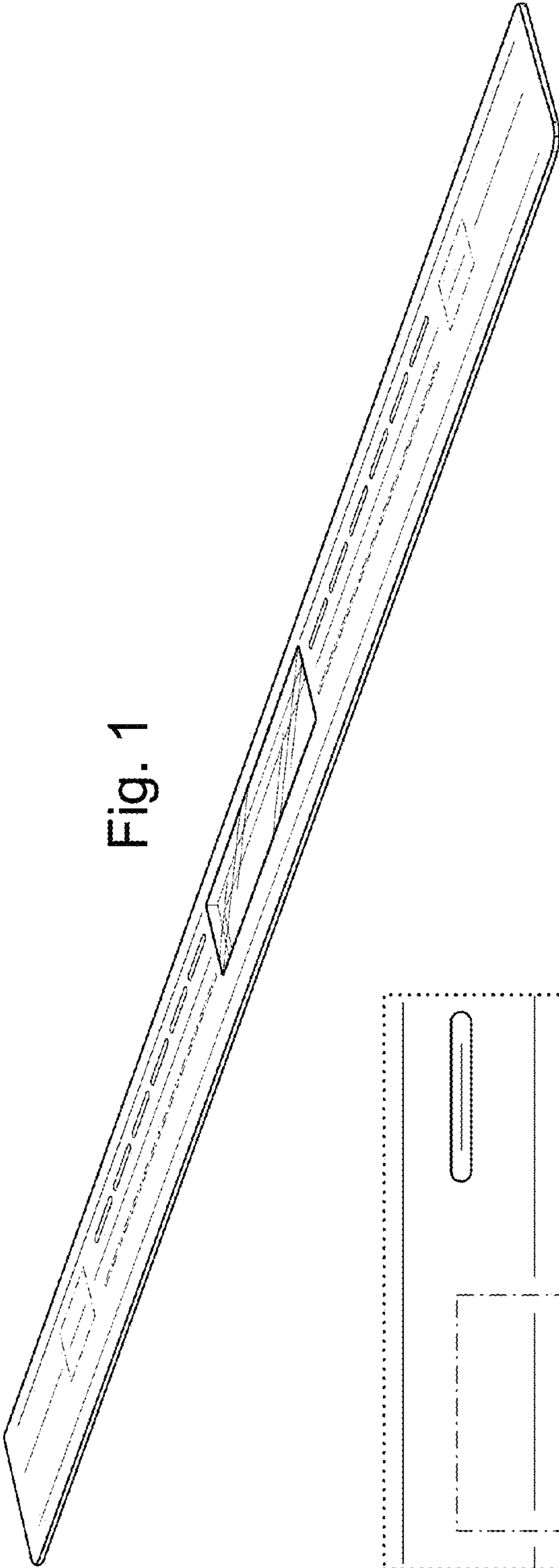


Fig. 1

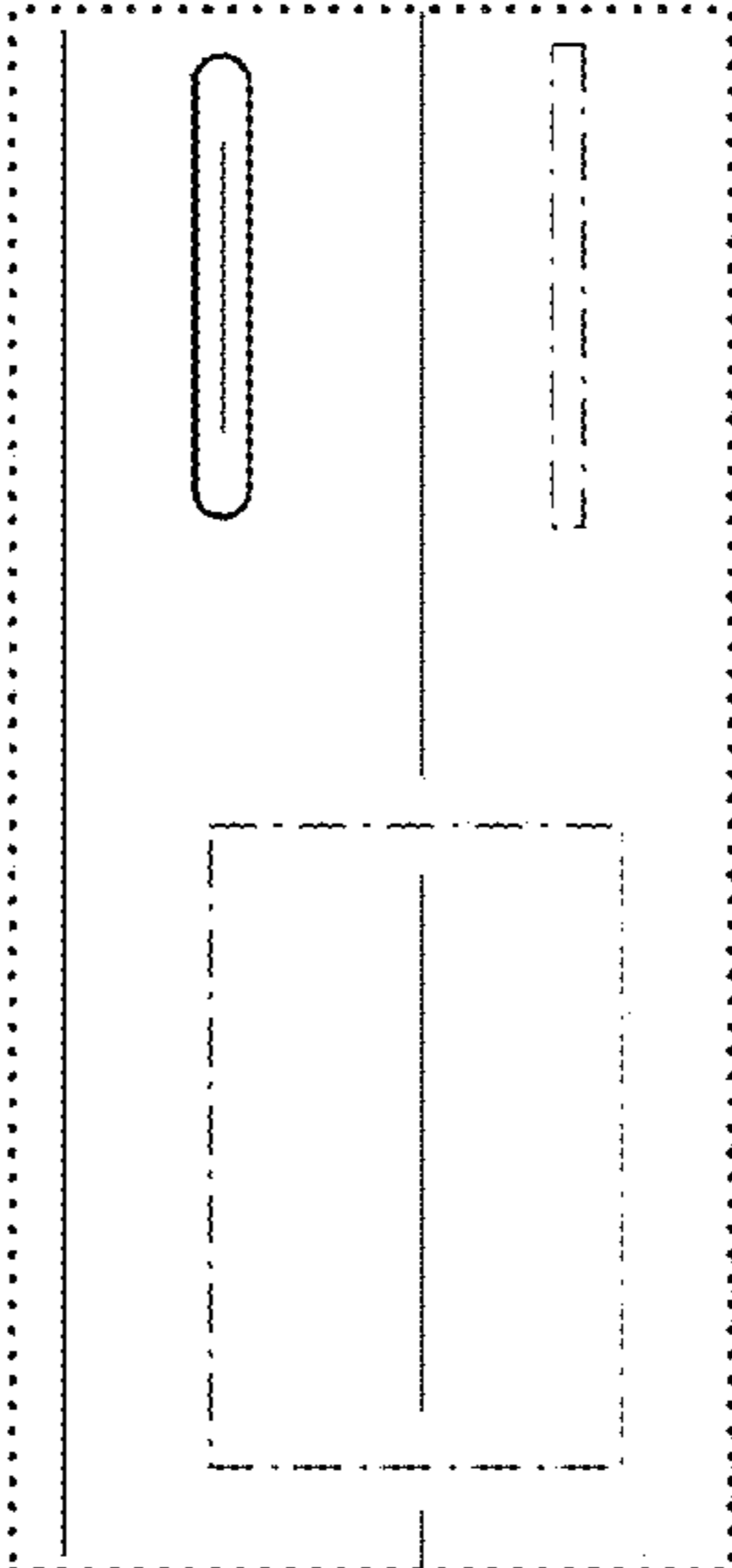


Fig. 3



Fig. 4

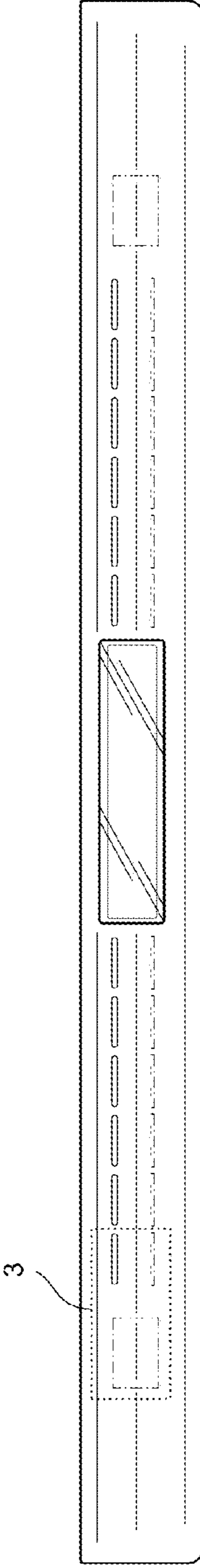


Fig. 2