



US00D701357S

(12) **United States Design Patent**
Barrios et al.

(10) **Patent No.:** **US D701,357 S**
(45) **Date of Patent:** **** *Mar. 18, 2014**

(54) **PORTABLE CLEANING SYSTEM**
(75) Inventors: **Guillermo Morales Barrios**, Nuevo Leon (MX); **Hector Valdez Jaramillo**, Nuevo Leon (MX); **Gerardo Angel Gonzalez Chapa**, Neuvo Leon (MX); **Shannon L. Taylor**, Vancouver, WA (US); **Jerry G. Gradwohl**, Vancouver, WA (US); **Joseph Samuel Nicolich, Jr.**, Milwaukee, OR (US); **Chris Alan Valentine**, Portland, OR (US)

3,380,658 A * 4/1968 Stasz et al. 239/130
3,444,867 A 5/1969 Thornton
D216,154 S * 11/1969 Bell D32/16
3,504,858 A * 4/1970 Liddiard 239/172
3,652,044 A 3/1972 Manross
3,680,786 A * 8/1972 Levy 239/146
3,698,029 A 10/1972 Pulliam
3,734,540 A 5/1973 Thiermann
3,797,744 A * 3/1974 Smith 239/172

(Continued)

FOREIGN PATENT DOCUMENTS

CA 2298122 7/2001

(73) Assignee: **Karcher North America, Inc.**, Englewood, CO (US)

OTHER PUBLICATIONS

(*) Notice: This patent is subject to a terminal disclaimer.

“Washwater treatment ElectroPulse Technology,” Oil Trap Inc., Recycling Product News, Jul.-Aug. 2005, p. 1.

(Continued)

(**) Term: **14 Years**

Primary Examiner — T. Chase Nelson
Assistant Examiner — Kathleen M Sims

(21) Appl. No.: **29/389,348**

(74) *Attorney, Agent, or Firm* — Sheridan Ross P.C.

(22) Filed: **Apr. 11, 2011**

(51) **LOC (10) Cl.** **15-05**

(52) **U.S. Cl.**
USPC **D32/1**

(58) **Field of Classification Search**
USPC D32/1, 4, 15, 16, 25; D12/101;
239/130, 146, 172; 15/320-321;
134/115 R

See application file for complete search history.

(57) **CLAIM**

The ornamental design for a portable cleaning system, as shown and described.

DESCRIPTION

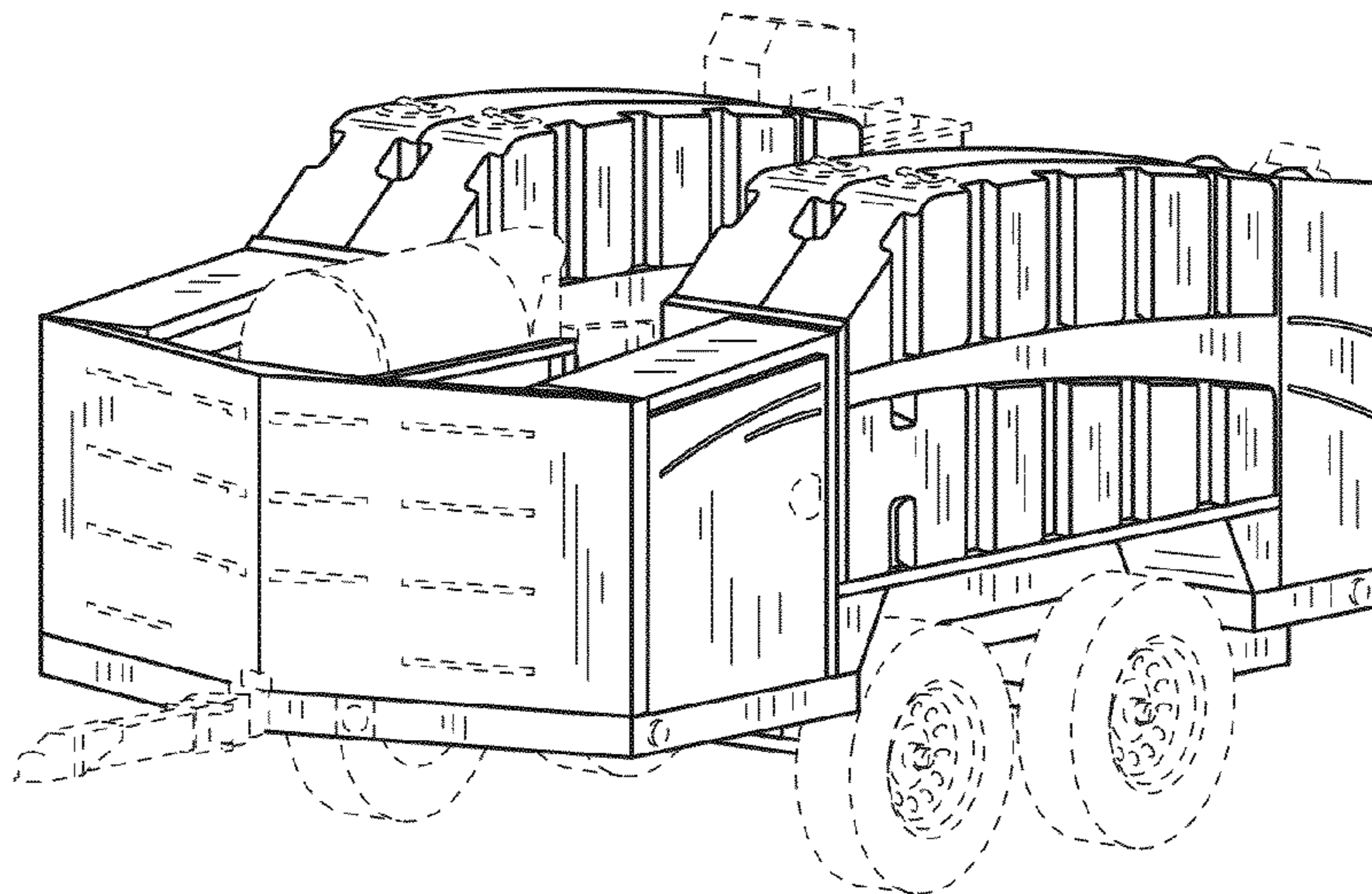
FIG. 1 is a front perspective view of the portable cleaning system;
FIG. 2 is a top plan view thereof;
FIG. 3 is a left elevation view thereof;
FIG. 4 is a right elevation view thereof;
FIG. 5 is a front elevation view thereof;
FIG. 6 is a rear elevation view thereof; and,
FIG. 7 is a bottom plan view thereof.
The broken lines showing a portable cleaning system are included for the purpose of illustrating environment and form no part of the claimed design.

(56) **References Cited**

U.S. PATENT DOCUMENTS

1,602,105 A 10/1926 Geer et al.
2,765,997 A 10/1956 Motts
D185,842 S * 8/1959 Patton D12/101
3,022,791 A 2/1962 Larson
3,064,486 A 11/1962 Aplin
3,179,117 A 4/1965 Gibson et al.
3,258,019 A 6/1966 Bellas et al.

1 Claim, 3 Drawing Sheets



(56)

References Cited

U.S. PATENT DOCUMENTS

3,810,544 A 5/1974 Armstrong et al.
 3,831,849 A 8/1974 Studinger
 3,834,657 A 9/1974 Freitas, Jr.
 3,858,761 A 1/1975 O'Dell
 3,908,941 A 9/1975 Bromley et al.
 3,923,658 A 12/1975 Lancaster
 4,104,164 A 8/1978 Chelton
 4,120,210 A 10/1978 Sloyan
 4,246,982 A 1/1981 Pretnick
 4,279,263 A 7/1981 Pulliam
 4,306,967 A 12/1981 Trautwein
 D263,037 S 2/1982 Brown
 4,355,834 A 10/1982 Alford
 4,367,145 A 1/1983 Simpson et al.
 4,431,548 A 2/1984 Lipowski et al.
 D276,902 S 12/1984 Plugge
 4,561,624 A 12/1985 Freeman
 4,652,368 A 3/1987 Ennis et al.
 4,792,274 A 12/1988 Cockram
 4,807,319 A 2/1989 Poitevin
 4,821,958 A 4/1989 Shaffer
 4,981,318 A 1/1991 Doane et al.
 5,031,602 A 7/1991 Vick
 5,033,489 A 7/1991 Ferre et al.
 D329,996 S 10/1992 Ciszewski
 5,286,302 A 2/1994 Wickham, III
 5,413,128 A 5/1995 Butts
 5,445,730 A 8/1995 Pattee
 5,462,330 A 10/1995 Brown
 5,498,329 A 3/1996 Lamminen et al.
 5,500,976 A * 3/1996 Rohrbacher et al. 15/320
 5,601,659 A 2/1997 Rohrbacher
 5,611,487 A 3/1997 Hood
 5,695,121 A 12/1997 Stillions, Jr. et al.
 5,746,904 A 5/1998 Lee
 5,826,298 A * 10/1998 Rohrbacher et al. 15/321
 5,833,295 A 11/1998 Farlow, Jr.
 5,908,550 A 6/1999 Kaipainen
 5,958,240 A 9/1999 Hoel
 5,975,480 A 11/1999 Schaefer et al.
 6,021,792 A 2/2000 Petter et al.
 6,042,702 A 3/2000 Kolouch et al.
 6,082,631 A * 7/2000 Aslakson 239/172
 6,106,712 A 8/2000 New
 6,132,509 A 10/2000 Kuschneireit
 6,132,599 A 10/2000 Chaffee
 6,234,408 B1 5/2001 Stevens et al.
 6,234,409 B1 5/2001 Aslakson
 D445,970 S * 7/2001 Taylor D32/4
 6,301,848 B1 10/2001 Whitaker
 6,346,197 B1 2/2002 Stephenson et al.
 6,349,715 B1 2/2002 McBroom
 6,416,101 B1 7/2002 Bartch
 6,427,707 B1 8/2002 Morris
 6,495,048 B2 12/2002 Stephenson et al.
 6,550,692 B1 4/2003 Schacht
 6,568,411 B1 5/2003 Staples et al.
 6,575,858 B2 6/2003 Green et al.
 6,641,721 B2 11/2003 Mulierheim
 6,655,396 B2 12/2003 Krenzel
 6,663,783 B2 12/2003 Stephenson et al.
 6,705,546 B2 * 3/2004 Bosch 239/172
 6,715,517 B2 4/2004 Tobin
 6,766,822 B2 7/2004 Walker
 6,790,349 B1 9/2004 Sawyer
 6,799,591 B2 10/2004 McCormick et al.
 6,932,412 B1 8/2005 Paproski
 D510,545 S 10/2005 Riegel et al.

6,964,820 B2 11/2005 Shimonosono et al.
 7,066,096 B1 6/2006 Harker et al.
 D530,242 S * 10/2006 Prusmack D12/101
 7,118,633 B2 10/2006 Jenkins
 7,121,288 B2 10/2006 Jenkins
 D534,099 S * 12/2006 Prusmack D12/101
 7,160,472 B2 1/2007 Van Vliet et al.
 7,203,979 B2 4/2007 O'Brien
 7,258,749 B2 8/2007 McCormick et al.
 7,264,178 B1 9/2007 Hugg
 D555,303 S 11/2007 Taylor et al.
 D566,624 S 4/2008 Dempsey et al.
 D572,212 S 7/2008 Taylor et al.
 7,431,835 B2 10/2008 Lack
 7,530,362 B2 5/2009 McCormick et al.
 7,775,221 B2 8/2010 Zeile
 D626,461 S 11/2010 Barrios et al.
 7,943,040 B2 5/2011 Taylor et al.
 8,240,732 B2 8/2012 Bernart
 2001/0022323 A1 * 9/2001 Aslakson 239/172
 2002/0153747 A1 10/2002 Ropp
 2003/0041407 A1 3/2003 Savage
 2004/0021004 A1 * 2/2004 Bosch 239/172
 2005/0066997 A1 3/2005 Watford
 2006/0118149 A1 6/2006 Benson et al.
 2006/0273622 A1 12/2006 Laird
 2007/0056510 A1 3/2007 Antaya
 2007/0199868 A1 8/2007 Volpe
 2008/0000507 A1 1/2008 Snyder et al.
 2009/0025759 A1 1/2009 Kotze
 2009/0062046 A1 3/2009 Lindemann
 2009/0188535 A1 7/2009 Taylor et al.
 2010/0044462 A1 2/2010 Hugg
 2010/0307984 A1 12/2010 Mortensen et al.
 2011/0232696 A1 9/2011 Barrios et al.
 2011/0237373 A1 9/2011 Barrios et al.
 2011/0253179 A1 * 10/2011 Barrios et al. 134/115 R

OTHER PUBLICATIONS

“Danron Enterprises Electro-Coagulation Treatment (ECT) System Performance Claim,” Environmental Technology Verification (ETV) Program website, as early as Mar. 2006, available at http://www.etvcanada.ca/F/data/PDF_Danron.pdf, pp. 1-2, printed on Apr. 6, 2007.
 “Hydropad Portable Wash Pad: Hydropads have the following features,” ecosentry website, as early as 2005, available at <http://www.ecosentry.com.au/hydropad>, pp. 1-3, printed on Aug. 10, 2006.
 U.S. Appl. No. 12/300,066, filed Mar. 23, 2010, Barrios et al.
 U.S. Appl. No. 12/762,977, filed Apr. 19, 2010, Barrios et al.
 U.S. Appl. No. 12/730,075, filed Mar. 23, 2010, Barrios et al.
 “Hydropad Portable Wash Pad,” HE HYDROengineering website, as early as 2004, available at <http://www.hydroblaster.com/HydropadPortableWashRack.html>, pp. 1-11, printed on Aug. 10, 2006.
 “Applications: The Drive-On Wash Pad-design your own wash pad,” EZ Environmental Solutions Corporation website, date unknown, available at <http://www.ezenvironmental.com/product.asp?page=1224>, pp. 1-3, printed on Aug. 10, 2006.
 “Cyclonator: Pumping & Pollution Control Solutions,” Megator website, as early as Dec. 12, 2004, available at <http://www.megator.com/cyclonator.htm>, pp. 1-2, printed on Aug. 10, 2006.
 Diterlizzi, “Introduction to Coagulation and Flocculation of Wastewater,” Term Project/Environmental Systems Project, Fall 1994, available at <http://www.rpi.edu/dept/chem-eng/Biotech-Environ/COAG/coag.htm>, pp. 1-4.
 U.S. Appl. No. 13/738,792, filed Jan. 10, 2013, Barrios et al.

* cited by examiner

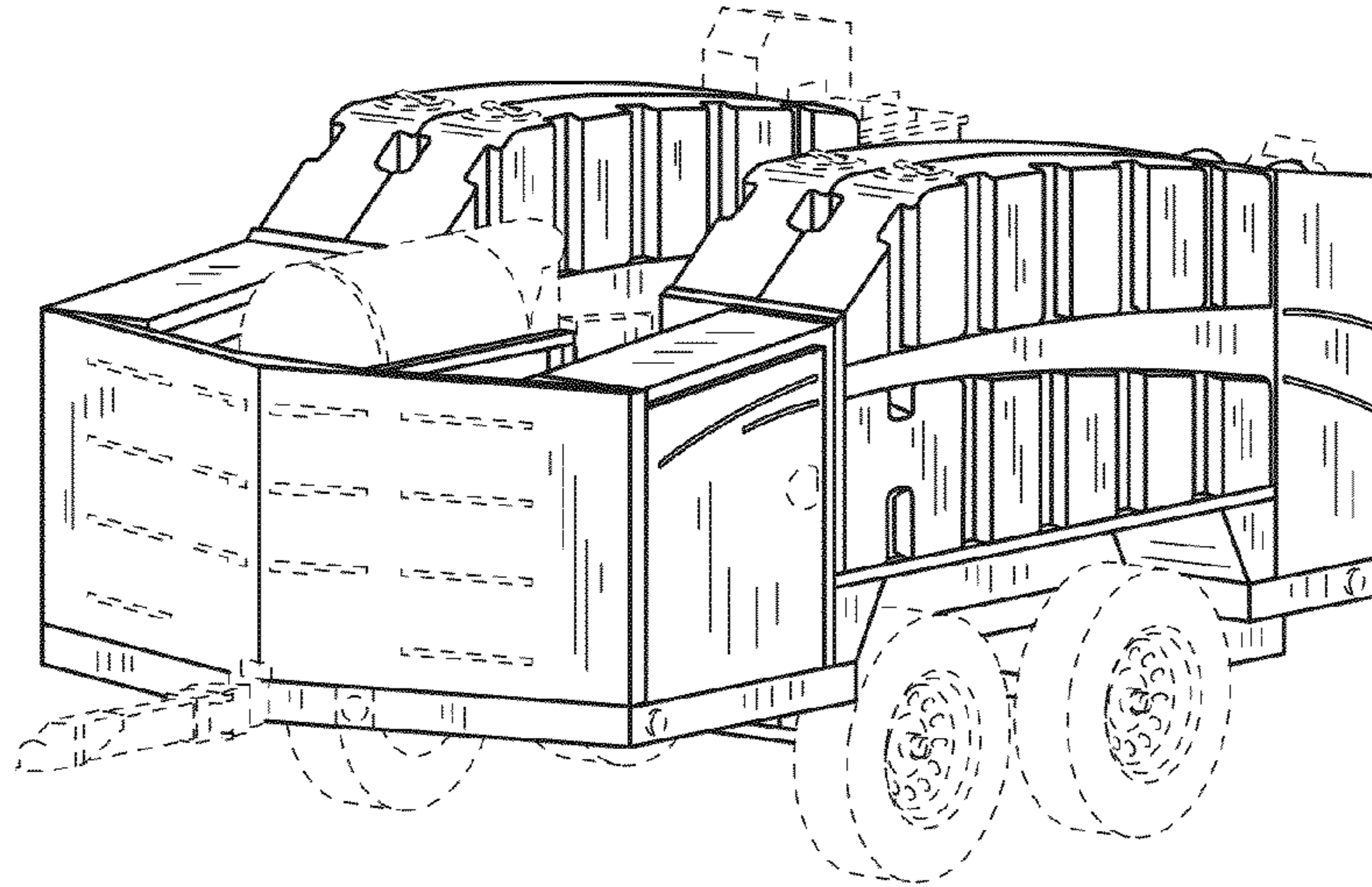


FIG. 1

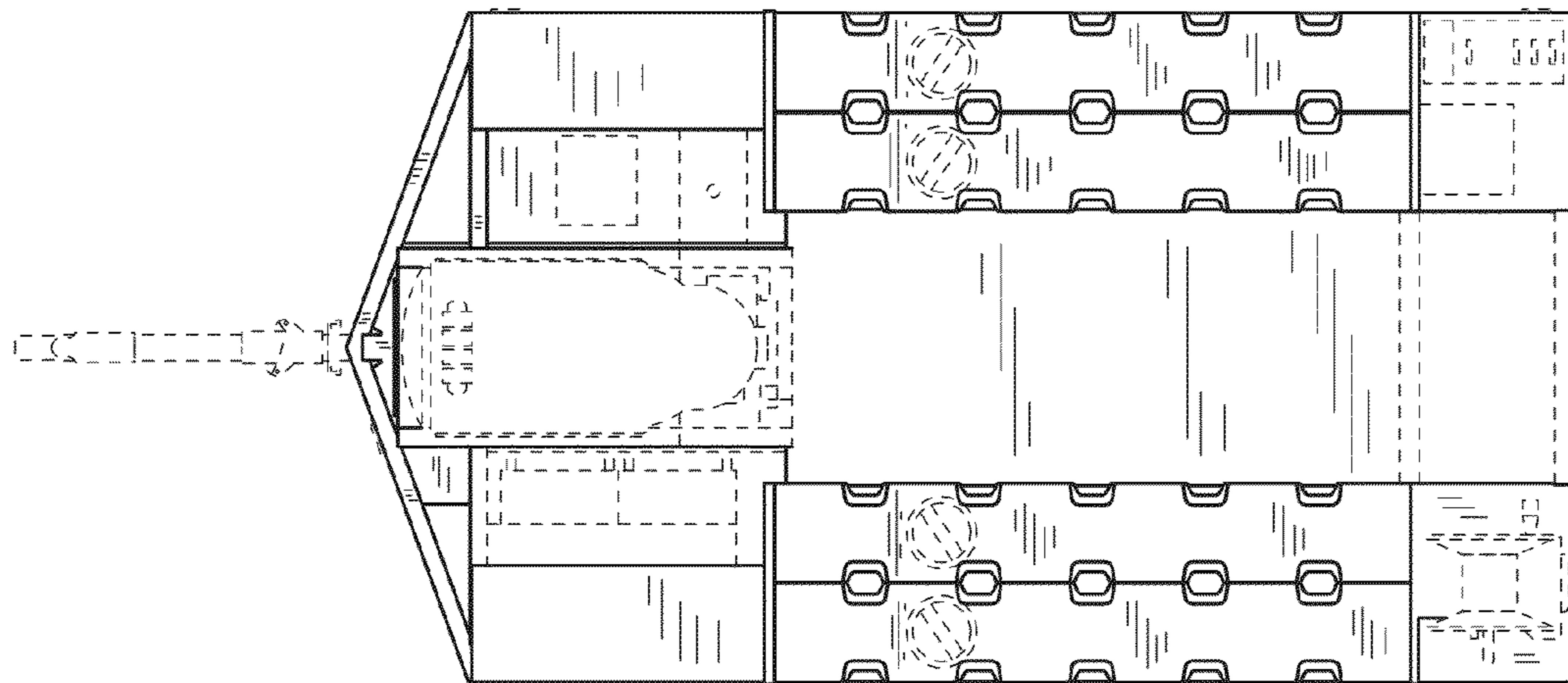


FIG. 2

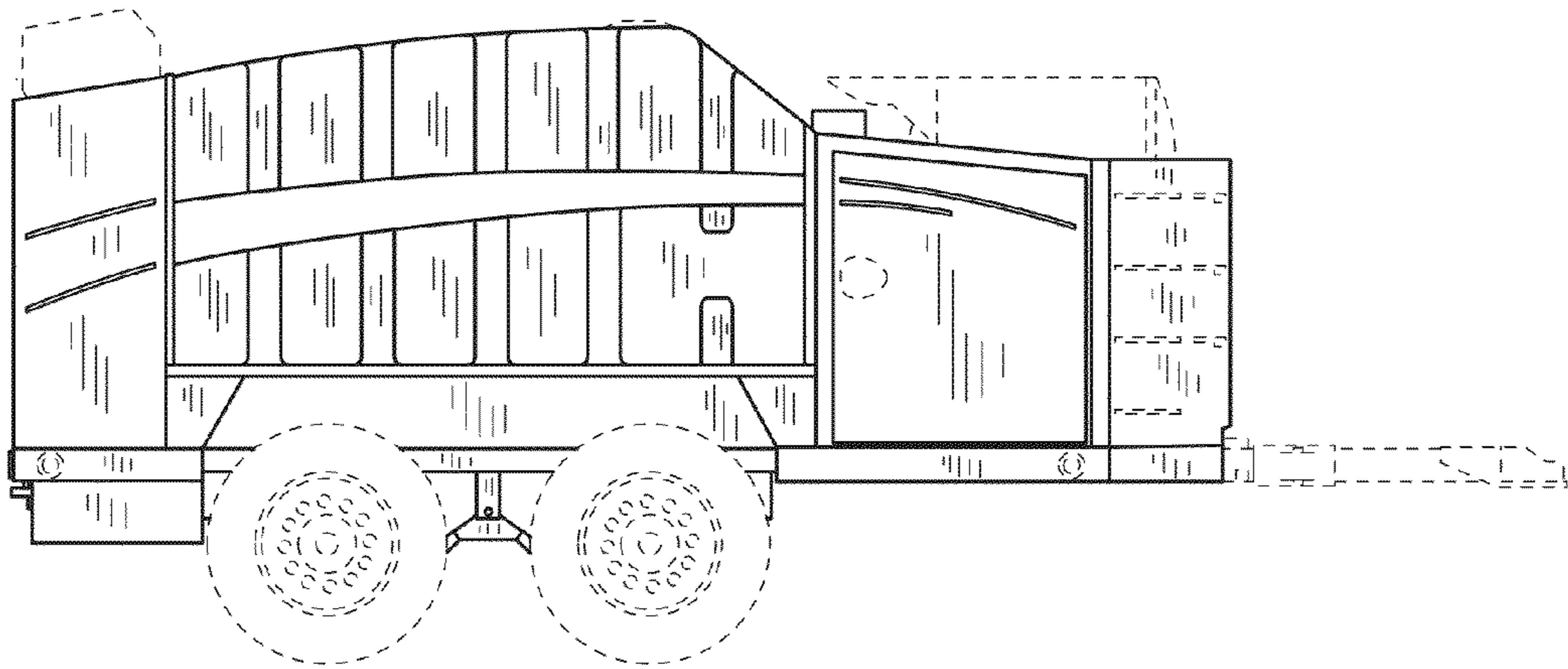


FIG.3

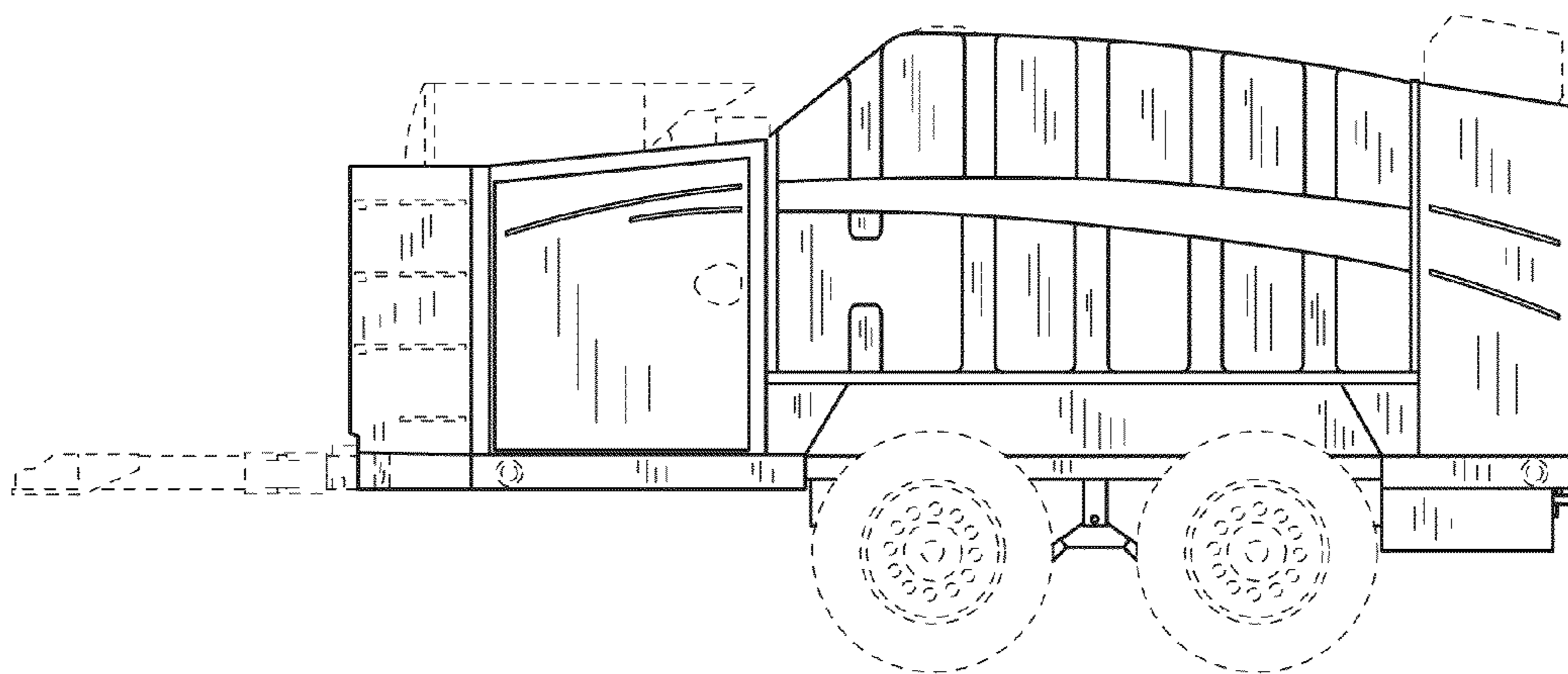


FIG.4

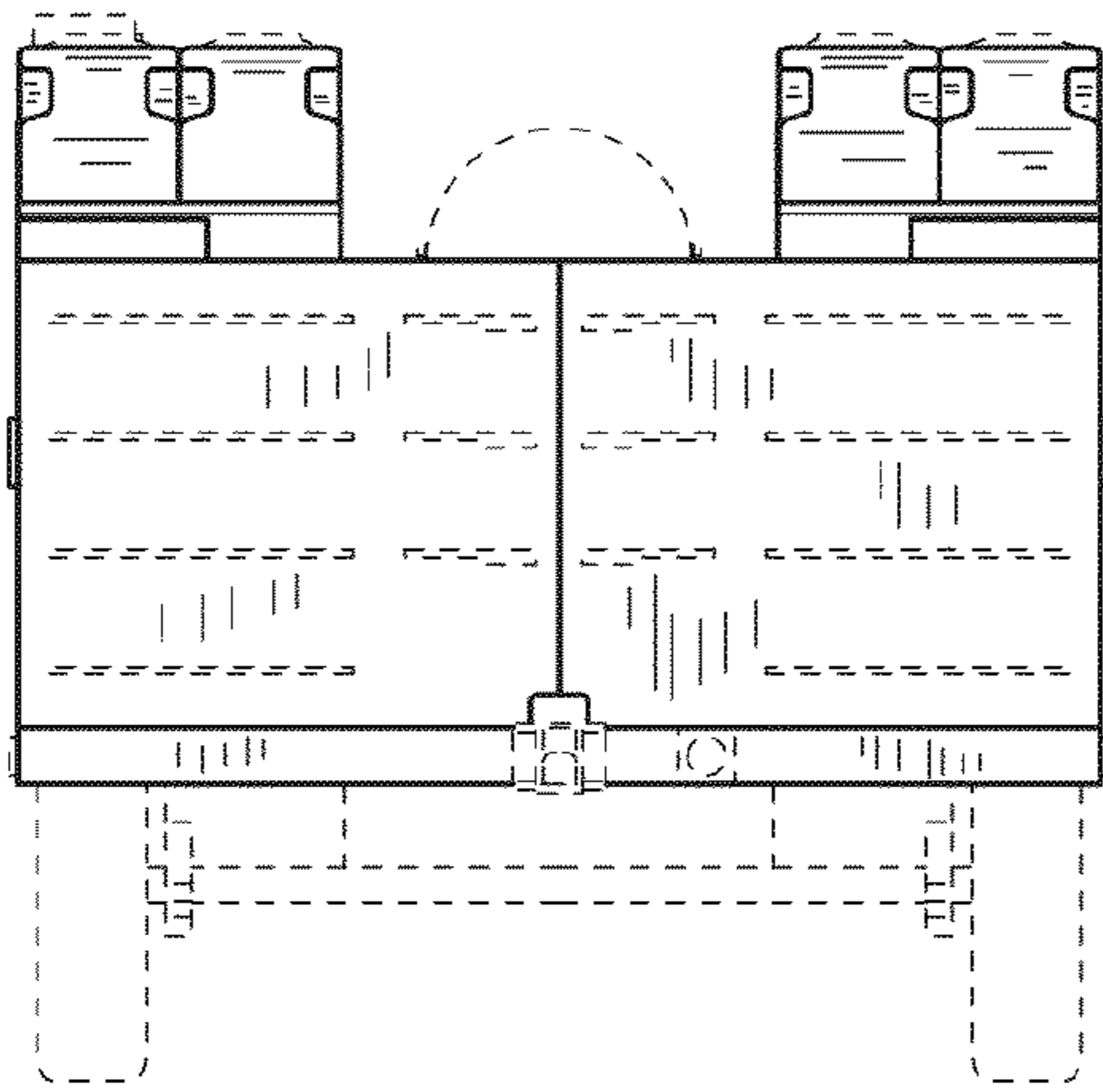


FIG. 5

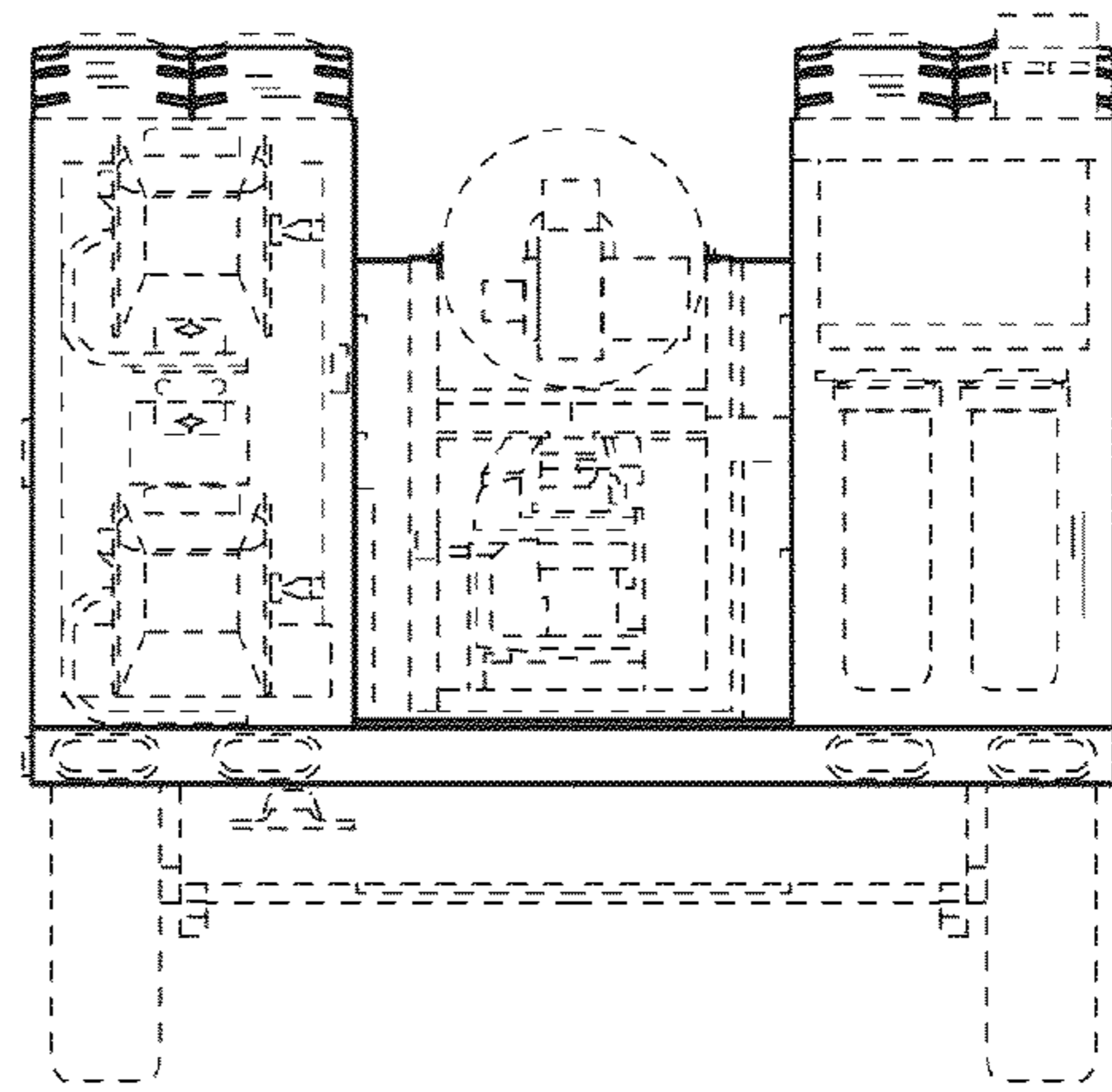


FIG. 6

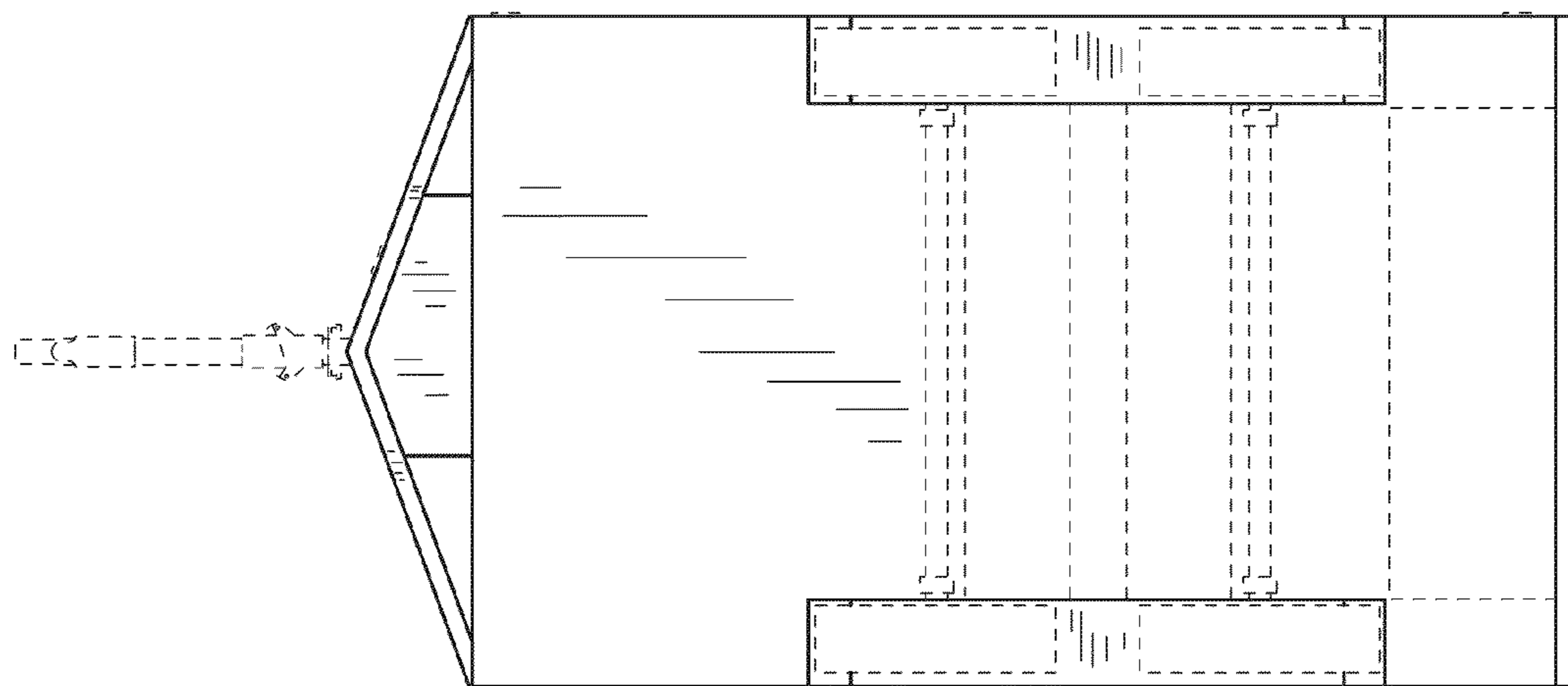


FIG. 7