



US00D701354S

(12) **United States Design Patent**
Septien Prieto

(10) **Patent No.:** **US D701,354 S**
(45) **Date of Patent:** **** Mar. 18, 2014**

(54) **BIRD FEEDER**
(71) Applicant: **Francisco Javier Septien Prieto,**
Ciudad Industrial (MX)
(72) Inventor: **Francisco Javier Septien Prieto,**
Ciudad Industrial (MX)
(**) Term: **14 Years**
(21) Appl. No.: **29/458,603**
(22) Filed: **Jun. 20, 2013**
(51) **LOC (10) Cl.** **30-03**
(52) **U.S. Cl.**
USPC **D30/121; D30/131; D30/133; D30/124**
(58) **Field of Classification Search**
USPC **D30/130-132, 199, 121-124; 119/72,**
119/72.5, 75, 78, 53, 74, 76, 79, 80, 81,
119/51.01, 51.04, 52.1, 54, 57.4, 58, 61.1,
119/61.5, 52.4; 137/592, 408, 614.2;
239/28; 4/377; D7/553.4, 553.8, 552.2,
D7/549, 555, 557, 554.2, 359, 586, 551.1,
D7/553.7, 553.6, 546, 547, 672, 570, 544,
D7/564, 587, 584; D9/428, 432; D27/134;
220/630, 575, 574, 506; D11/149, 152;
99/442, 428, DIG. 15; 131/232;
249/169
See application file for complete search history.

3,566,843 A * 3/1971 Van Huis et al. 119/53
3,585,970 A * 6/1971 Scott et al. 119/53
D230,612 S * 3/1974 Williamson et al. D30/131
3,827,405 A * 8/1974 Allen 119/53
D245,714 S * 9/1977 Becker D30/131
4,216,742 A * 8/1980 Kirchhofer 119/457
4,337,728 A * 7/1982 Van Gilst et al. 119/57.4
4,401,057 A * 8/1983 Van Gilst 119/57.4
4,446,818 A * 5/1984 Rigterink 119/57.4
4,527,513 A * 7/1985 Hart et al. 119/51.5
D295,905 S * 5/1988 Swartzendruber et al. ... D30/131
D322,912 S * 1/1992 Schmengler D7/359
5,092,274 A * 3/1992 Cole et al. 119/57.4
5,097,797 A * 3/1992 Van Zee et al. 119/57.4
5,101,765 A * 4/1992 Manfrin 119/53

(Continued)

Primary Examiner — Susan Moon Lee
(74) *Attorney, Agent, or Firm* — Loza & Loza, LLP; Heidi L. Eisenhut

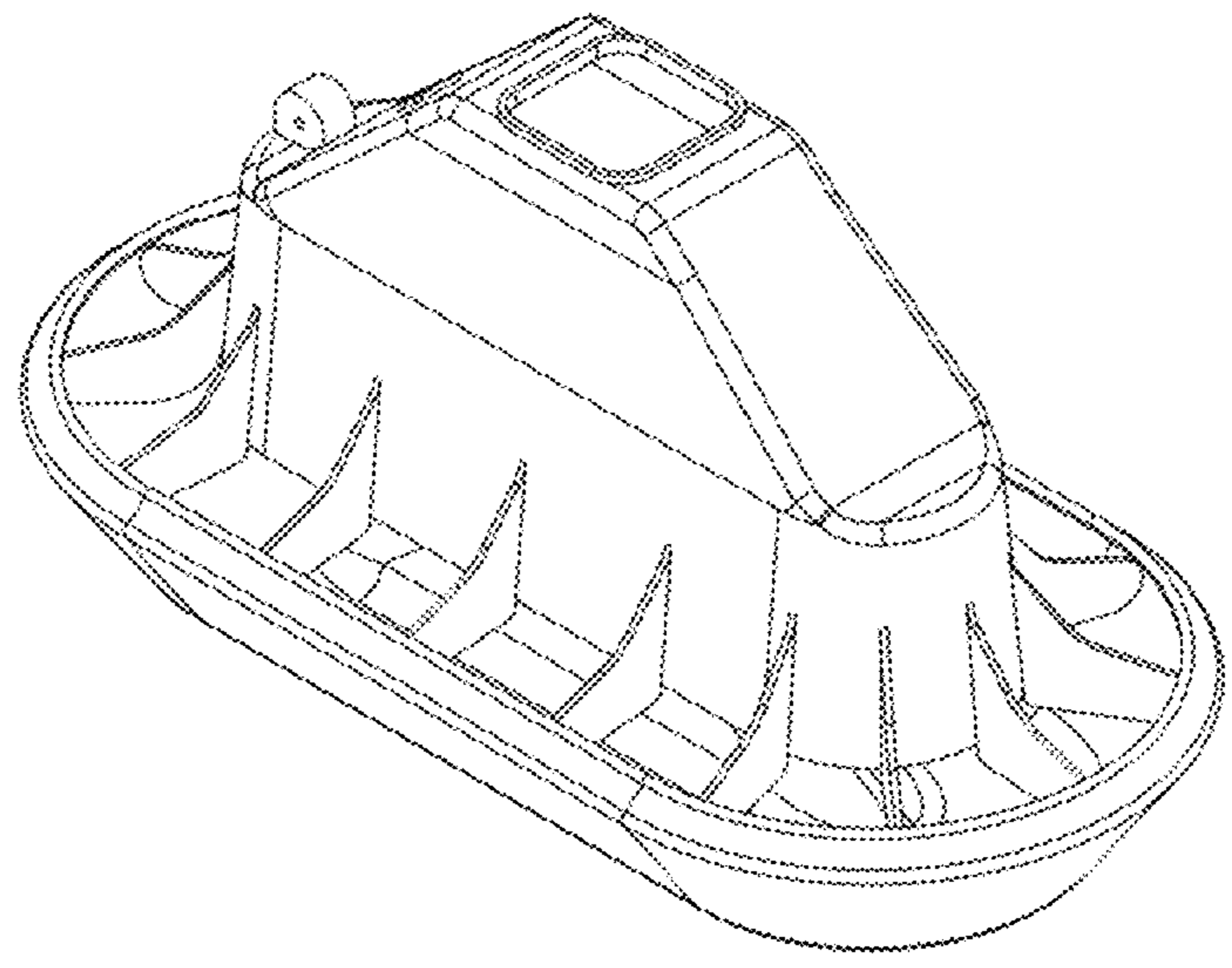
(57) **CLAIM**
I claim the ornamental design for a bird feeder, as shown and described.

DESCRIPTION

FIG. 1 is a top perspective view of a bird feeder of the present invention;
FIG. 2 is a front elevation view of the bird feeder of FIG. 1, the back view being a mirror image thereof.
FIG. 3 is a right side elevation view of the bird feeder of FIG. 1, the other side being a mirror image thereof.
FIG. 4 is a bottom plan view of the bird feeder of FIG. 1.
FIG. 5 is a top plan view of the bird feeder of FIG. 1.
FIG. 6 is a longitudinal cross-sectional view of the bird feeder taken along line 6-6 of FIG. 2.
FIG. 7 is a cross-sectional view of the bird feeder taken along line 7-7 of FIG. 3; and,
FIG. 8 is an exploded top perspective view of the bird feeder of FIG. 1.

1 Claim, 8 Drawing Sheets

(56) **References Cited**
U.S. PATENT DOCUMENTS
414,405 A * 11/1889 Hallock 119/51.5
503,664 A * 8/1893 Jones 119/53
2,607,318 A * 8/1952 Collier et al. 119/53
D182,624 S * 4/1958 Rysdon et al. D30/131
3,035,545 A * 5/1962 Mayo 119/52.1
3,074,377 A * 1/1963 Spencer 119/54
3,124,105 A * 3/1964 Stapleton 119/61.3
3,205,860 A * 9/1965 Moore 119/52.4



(56)

References Cited

U.S. PATENT DOCUMENTS

5,101,766	A *	4/1992	Runion	119/53	D564,712	S *	3/2008	Cole et al.	D30/131
5,113,797	A *	5/1992	van Daele	119/53	D583,112	S *	12/2008	Cole et al.	D30/131
5,435,267	A *	7/1995	Patterson	119/52.4	7,581,512	B2 *	9/2009	Cole et al.	119/53
5,497,730	A *	3/1996	van Daele et al.	119/53	7,584,716	B2 *	9/2009	Cole et al.	119/52.4
5,517,944	A *	5/1996	Bate et al.	119/53	7,587,990	B2 *	9/2009	Cole et al.	119/52.1
5,564,363	A *	10/1996	Soffici	119/61.53	8,091,507	B2 *	1/2012	Cole et al.	119/53
D380,877	S *	7/1997	McNaughton	D30/124	8,347,816	B2 *	1/2013	Keirse	119/52.1
5,782,201	A *	7/1998	Wells	119/57.4	8,381,683	B2 *	2/2013	Keirse et al.	119/52.4
5,884,581	A *	3/1999	Vandaele	119/52.4	2005/0072365	A1 *	4/2005	Busses	119/57.7
5,941,193	A *	8/1999	Cole	119/57.4	2008/0202437	A1 *	8/2008	Garware	119/57.4
D426,682	S *	6/2000	Kreger et al.	D30/121	2009/0000555	A1 *	1/2009	Keirse et al.	119/52.1
D444,676	S *	7/2001	Murphy	D7/553.6	2009/0078209	A1 *	3/2009	Kroeker	119/52.1
6,532,895	B1 *	3/2003	Andersen	119/57.4	2009/0314213	A1 *	12/2009	Cole et al.	119/53
D542,981	S *	5/2007	Cole	D30/124	2011/0094447	A1 *	4/2011	Keirse	119/52.1
					2011/0107972	A1 *	5/2011	Keirse et al.	119/51.01
					2013/0139755	A1 *	6/2013	Stuedler, Jr.	119/51.01
					2013/0139758	A1 *	6/2013	Stuedler, Jr.	119/53

* cited by examiner

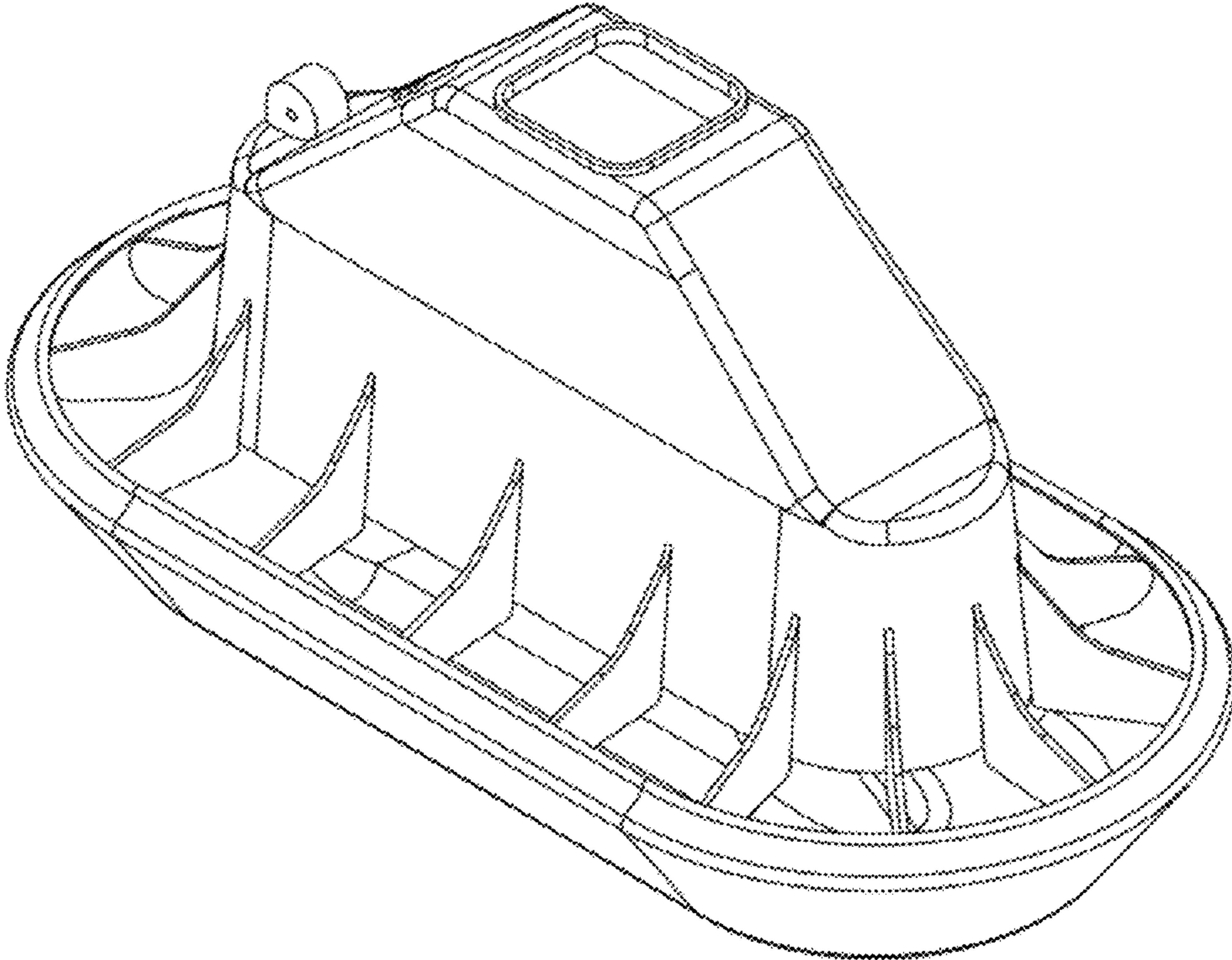


FIG. 1

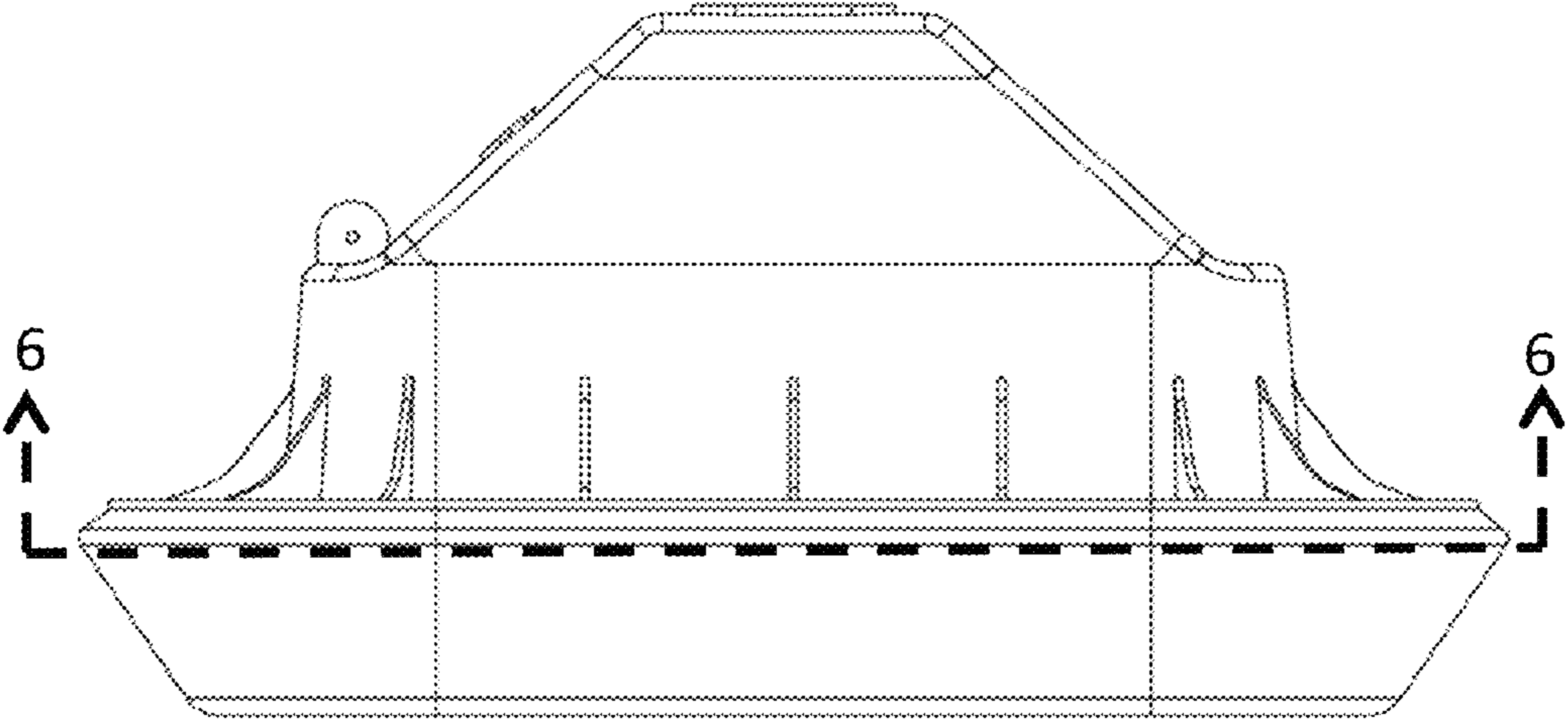


FIG. 2

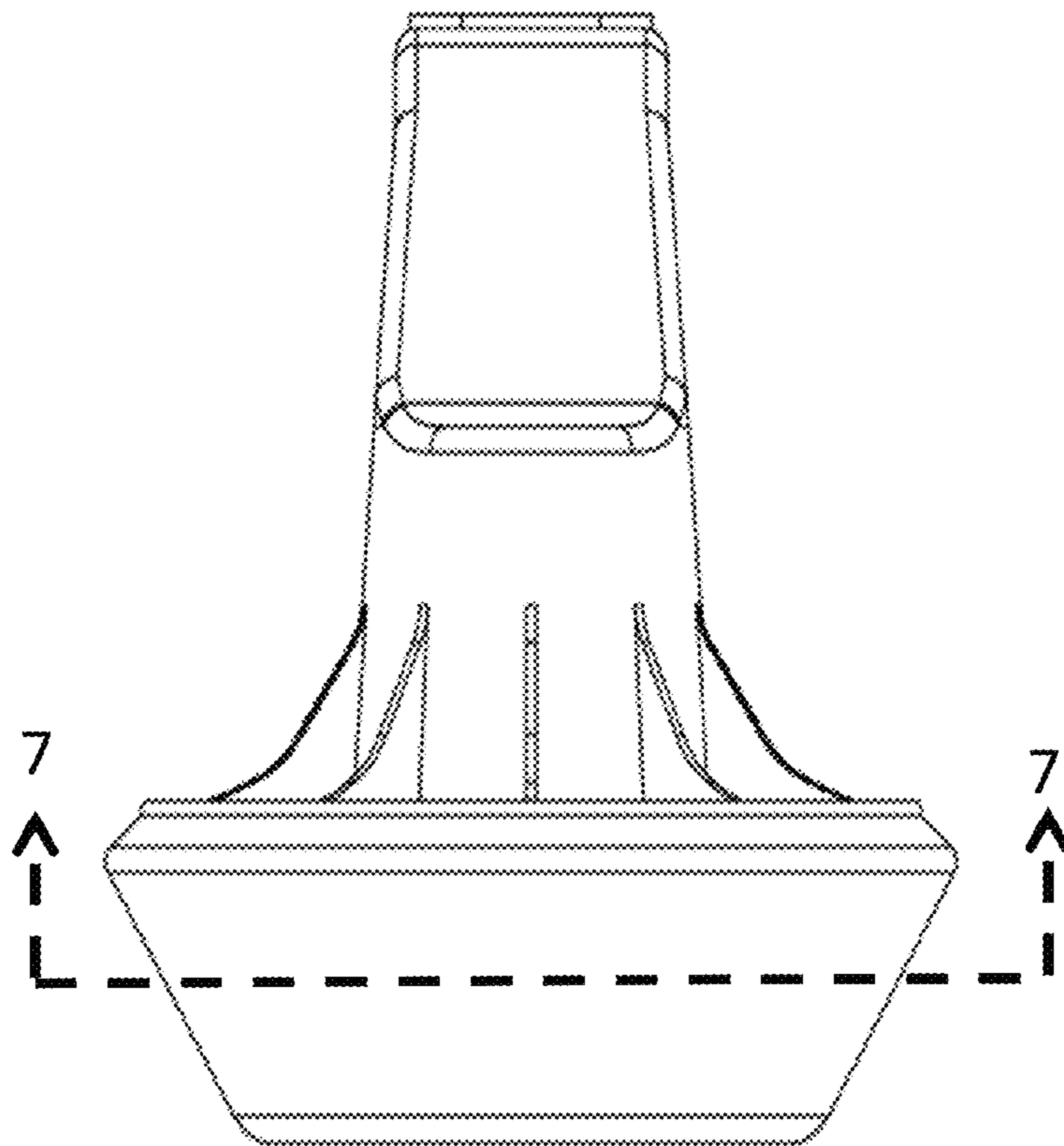


FIG. 3

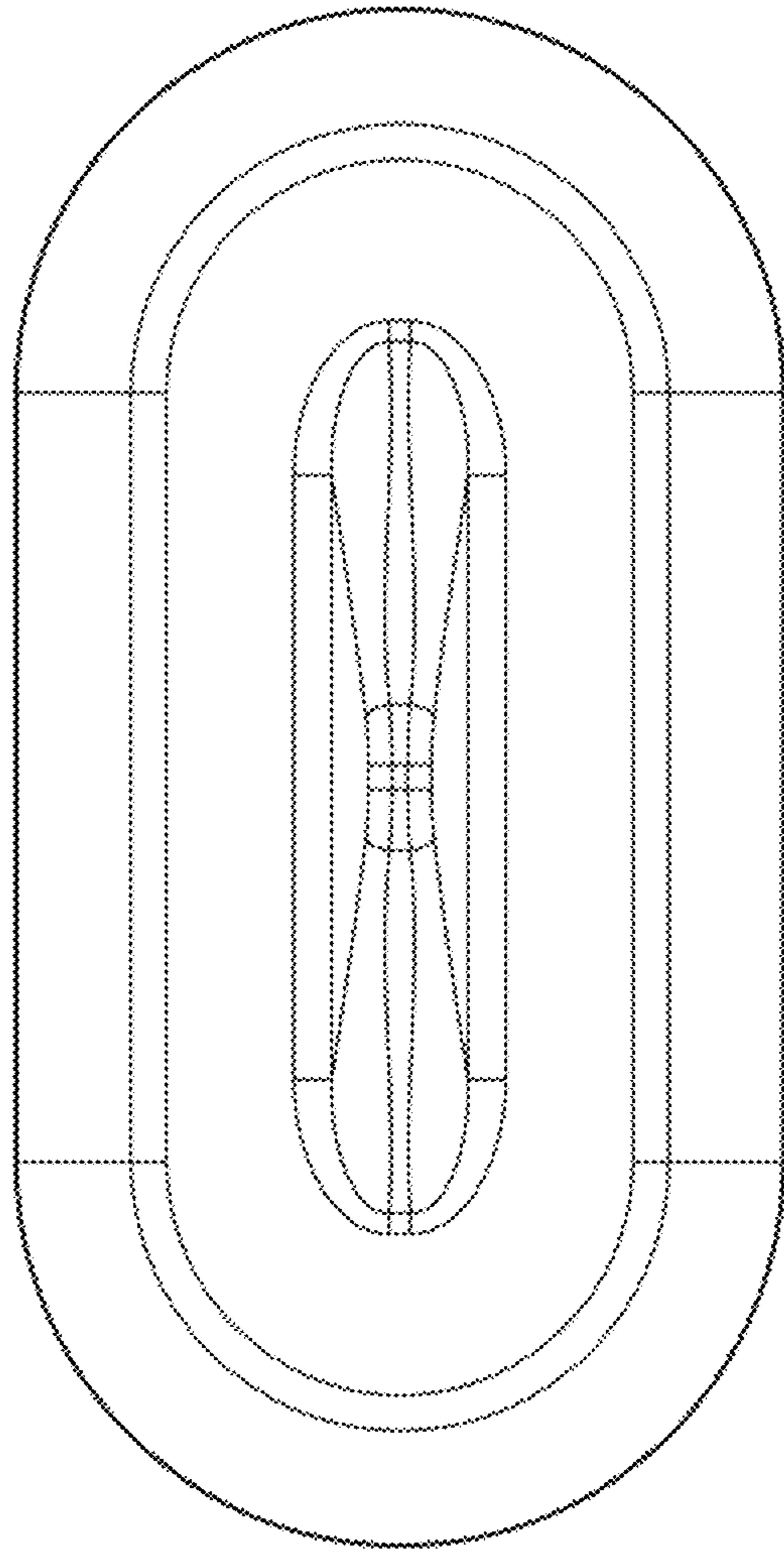


FIG. 4

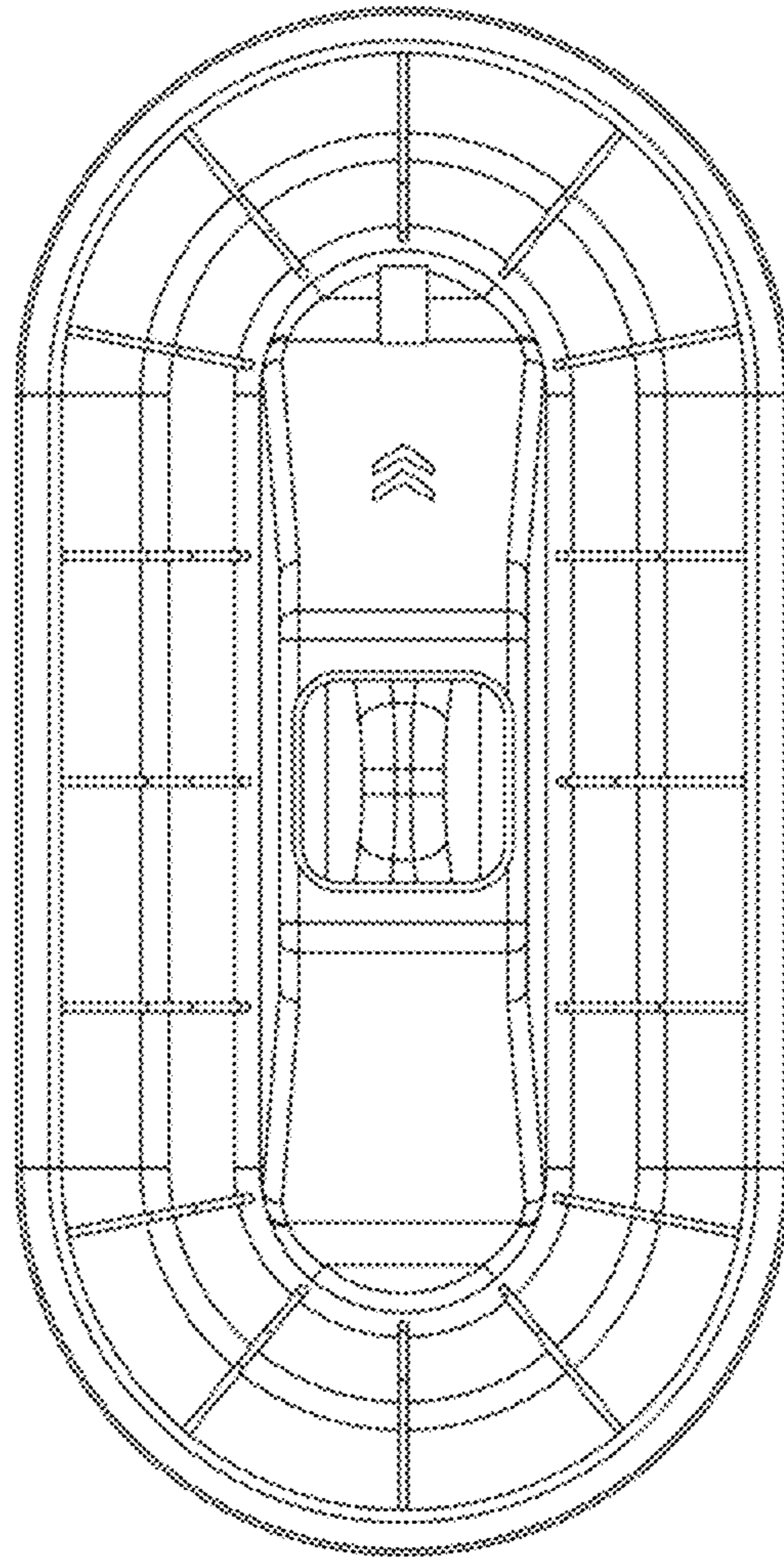


FIG. 5

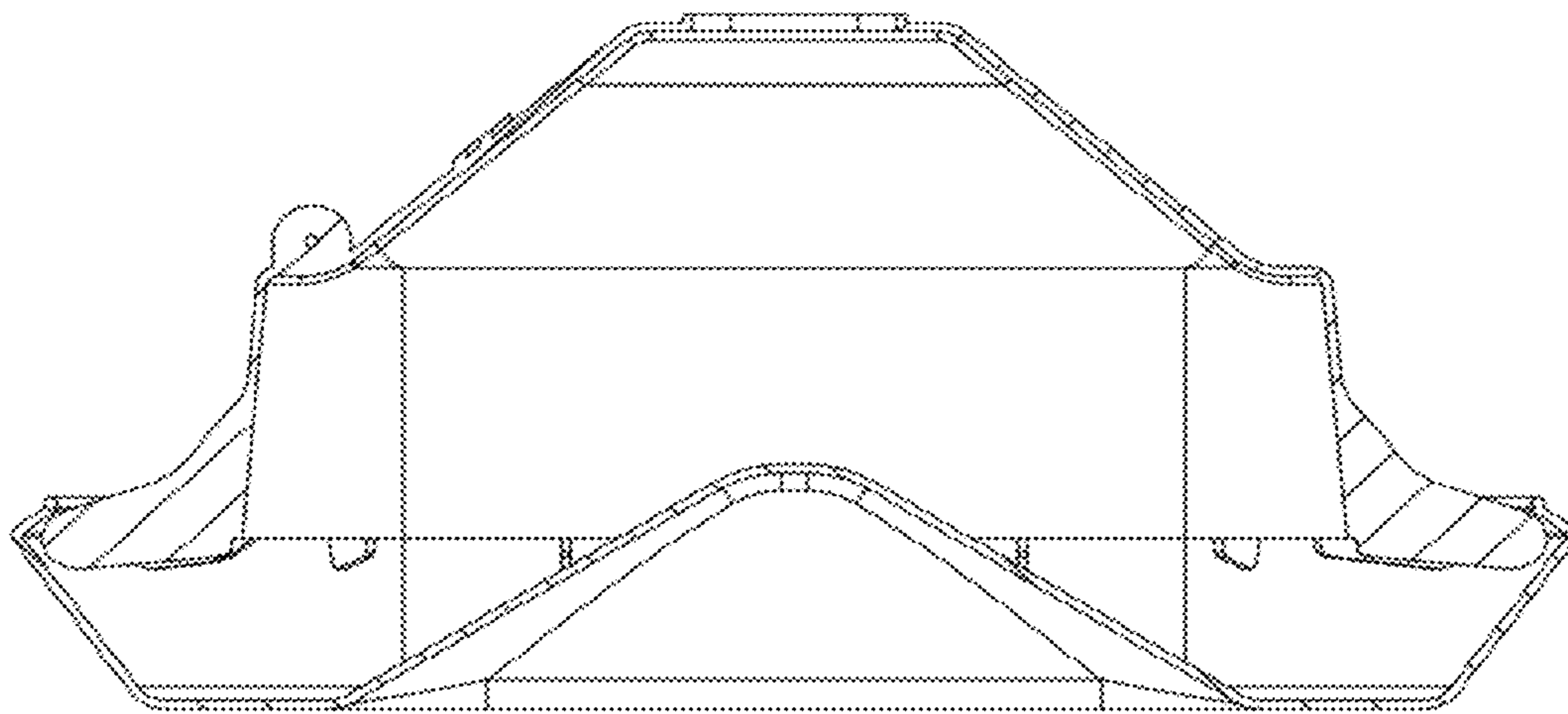


FIG. 6

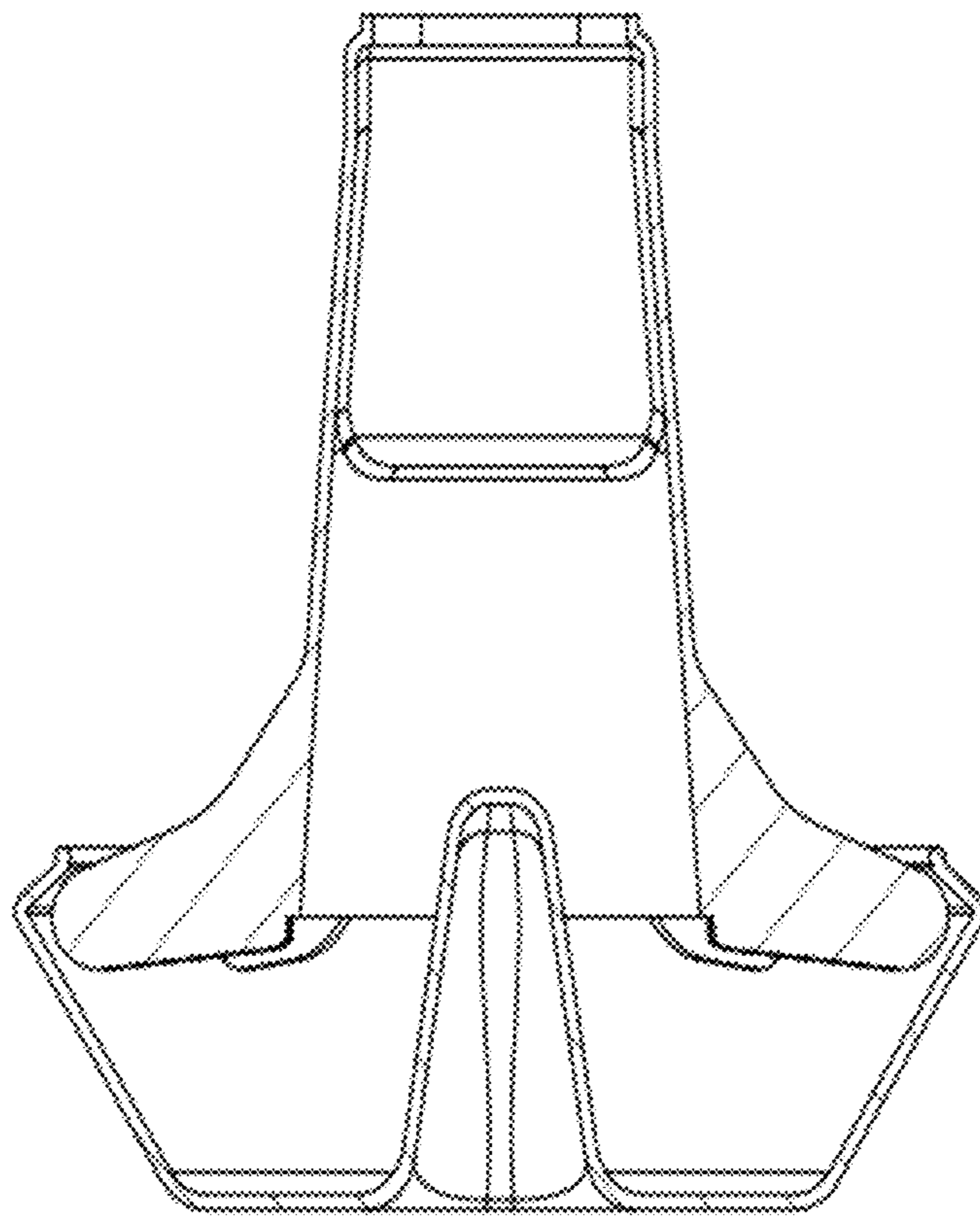


FIG. 7

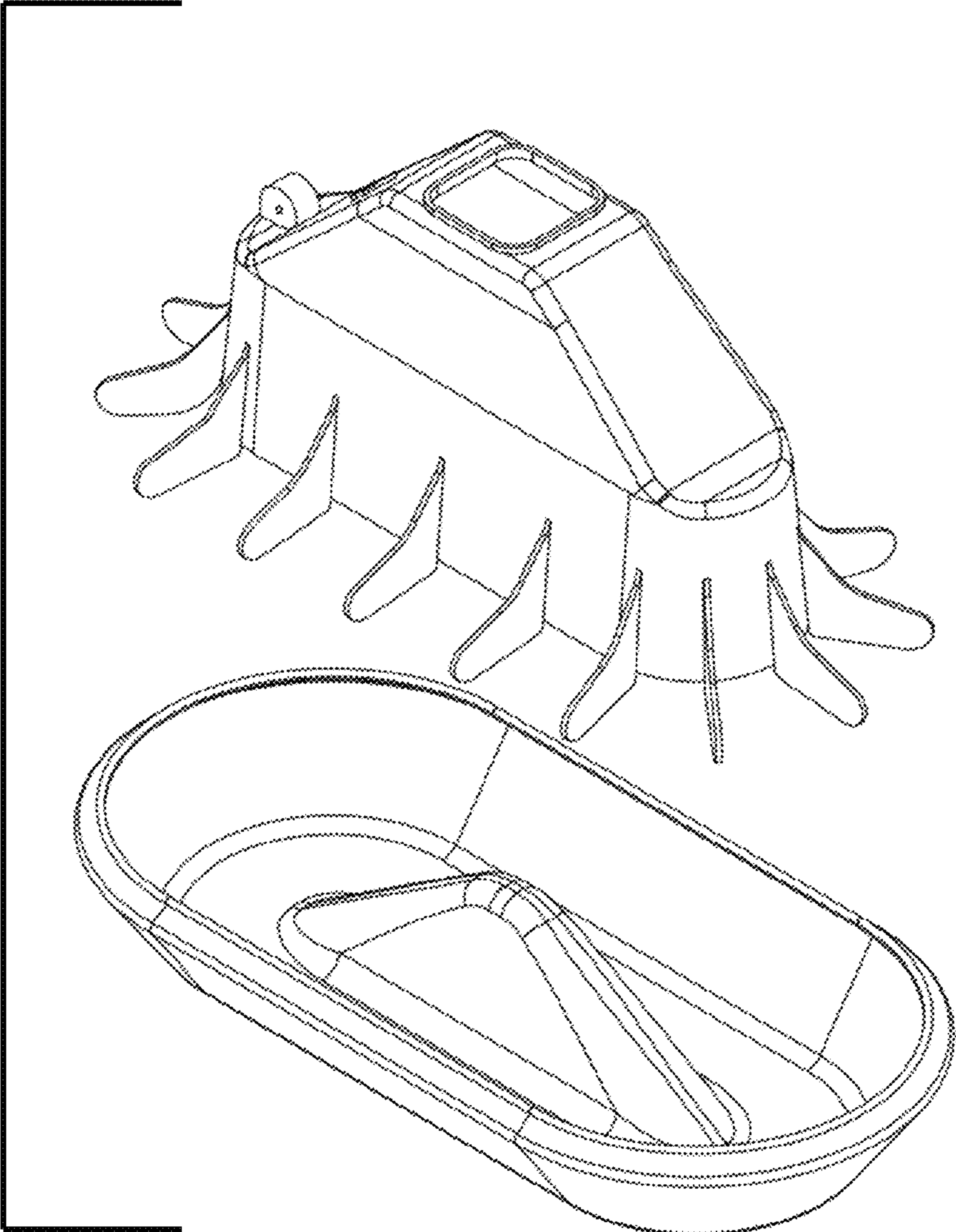


FIG. 8