

US00D701352S

(12) **United States Design Patent**
Xu

(10) **Patent No.:** **US D701,352 S**
(45) **Date of Patent:** **** Mar. 18, 2014**

(54) **SEMI-CIRCLE TANK**

(56) **References Cited**

(75) Inventor: **Huazhao Xu**, Baolong (CN)

U.S. PATENT DOCUMENTS

(73) Assignee: **Shenzhen Xingrisheng Industrial Co., Ltd.**, Shenzhen (CN)

D357,556 S *	4/1995	Hashimoto	D30/101
5,408,955 A *	4/1995	Tsuchiya	119/266
D361,165 S *	8/1995	Ichikawa	D30/101
D361,170 S *	8/1995	Hashimoto	D30/101
D361,412 S *	8/1995	Ichikawa	D30/101
D366,350 S *	1/1996	Ichikawa	D30/101
D366,735 S *	1/1996	Ichikawa	D30/101
D397,520 S *	8/1998	Ichikawa	D30/101
D596,808 S *	7/2009	Belter	D30/101

(**) Term: **14 Years**

* cited by examiner

(21) Appl. No.: **29/424,989**

(22) Filed: **Jun. 19, 2012**

Primary Examiner — Wan Laymon

(30) **Foreign Application Priority Data**

(57) **CLAIM**

Dec. 22, 2011 (CN) 2011 3 0494352

The ornamental design for an semi-circle tank, as shown and described.

(51) **LOC (10) Cl.** **30-02**

DESCRIPTION

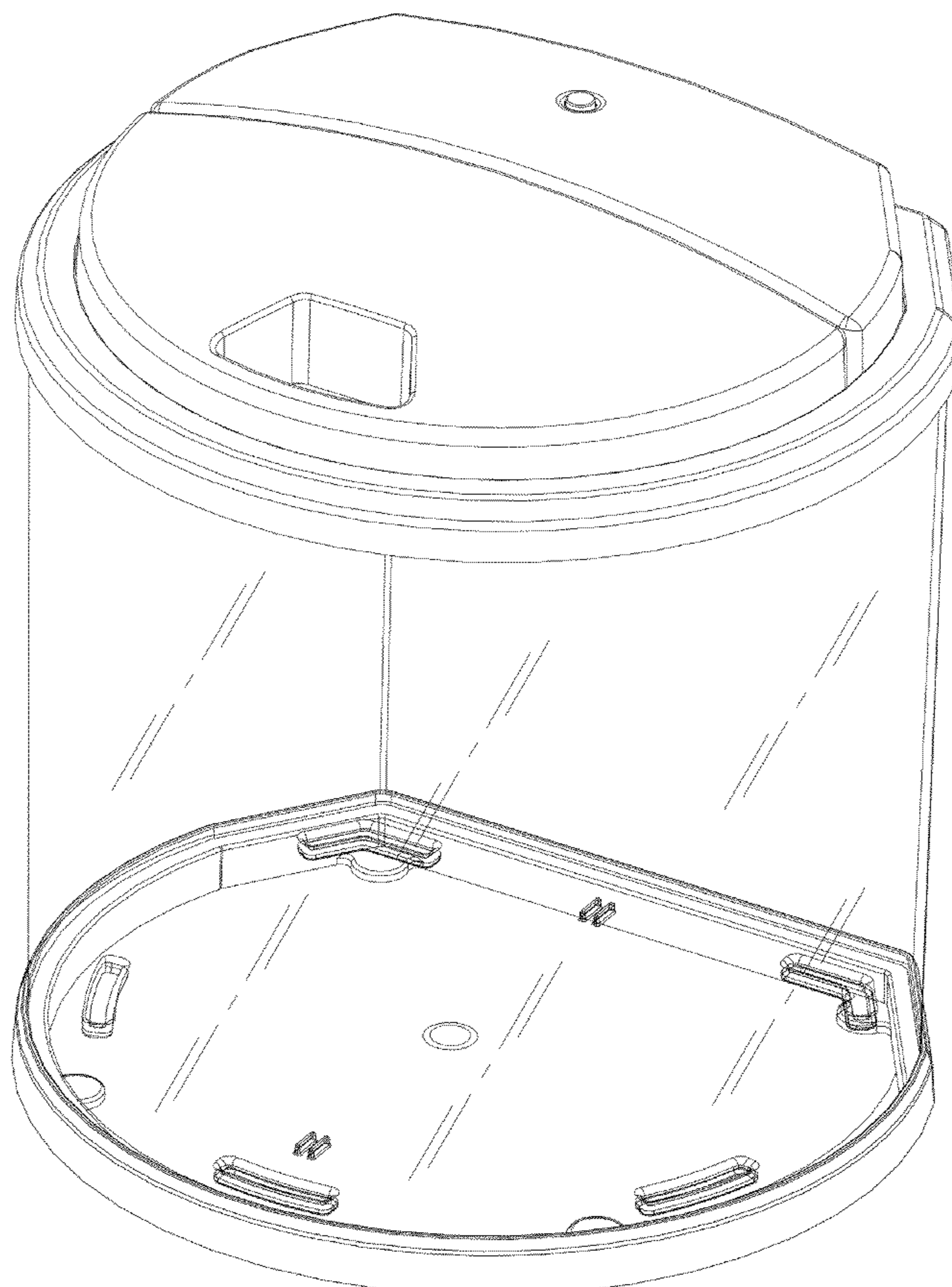
(52) **U.S. Cl.**
USPC **D30/101**

FIG. 1 is a perspective view showing my new design;
FIG. 2 is a front plan view thereof;
FIG. 3 is a back plan view thereof.
FIG. 4 is a left plan view thereof;
FIG. 5 is a right plan view thereof; and,
FIG. 6 is a downward plan view thereof.
Portion of the semi-circle tank shown in broken lines form no part of the claimed design.

(58) **Field of Classification Search**
USPC D30/101-107; D11/145; 119/245-248,
119/265-267, 269

See application file for complete search history.

1 Claim, 6 Drawing Sheets



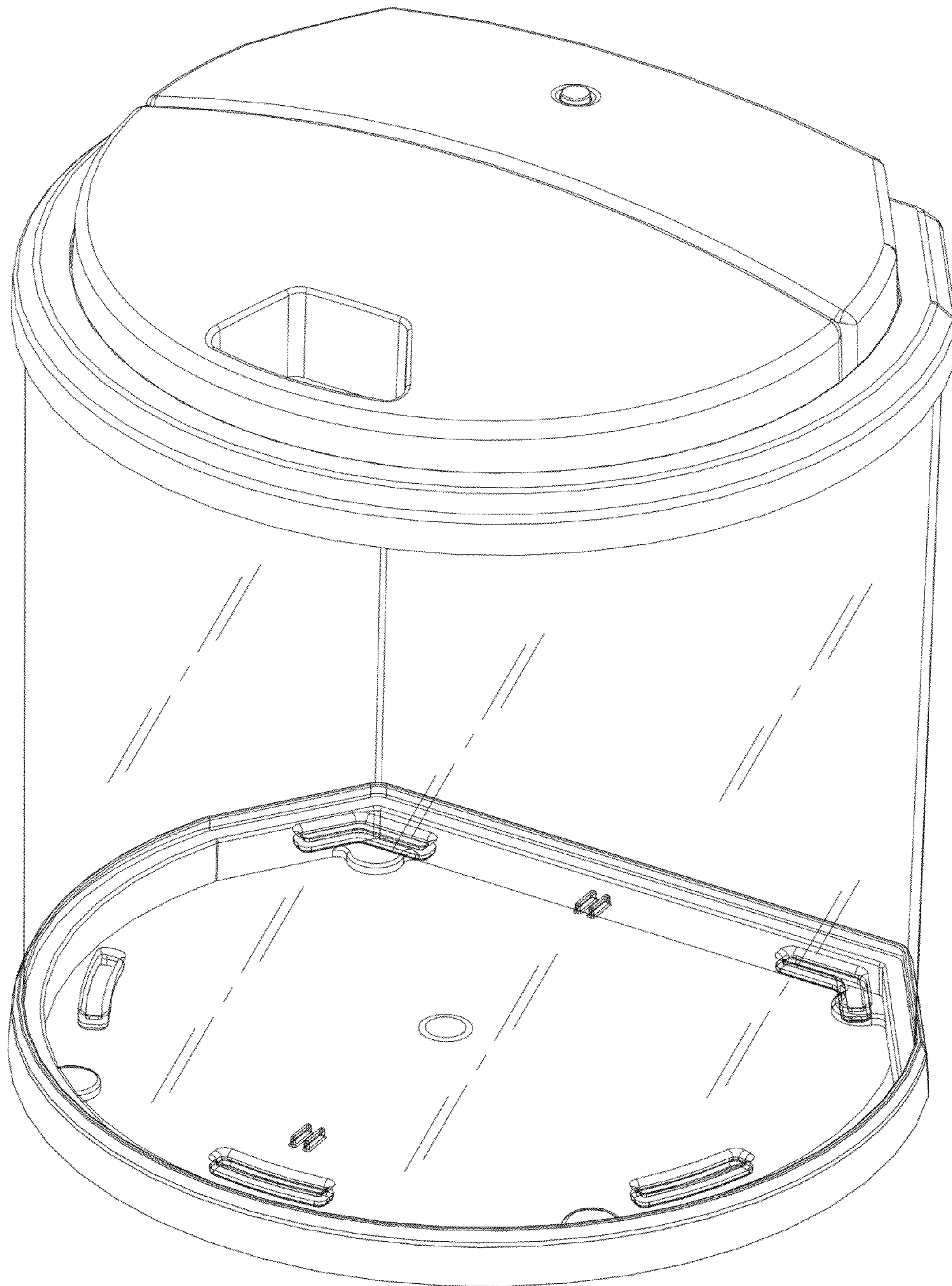


Figure 1

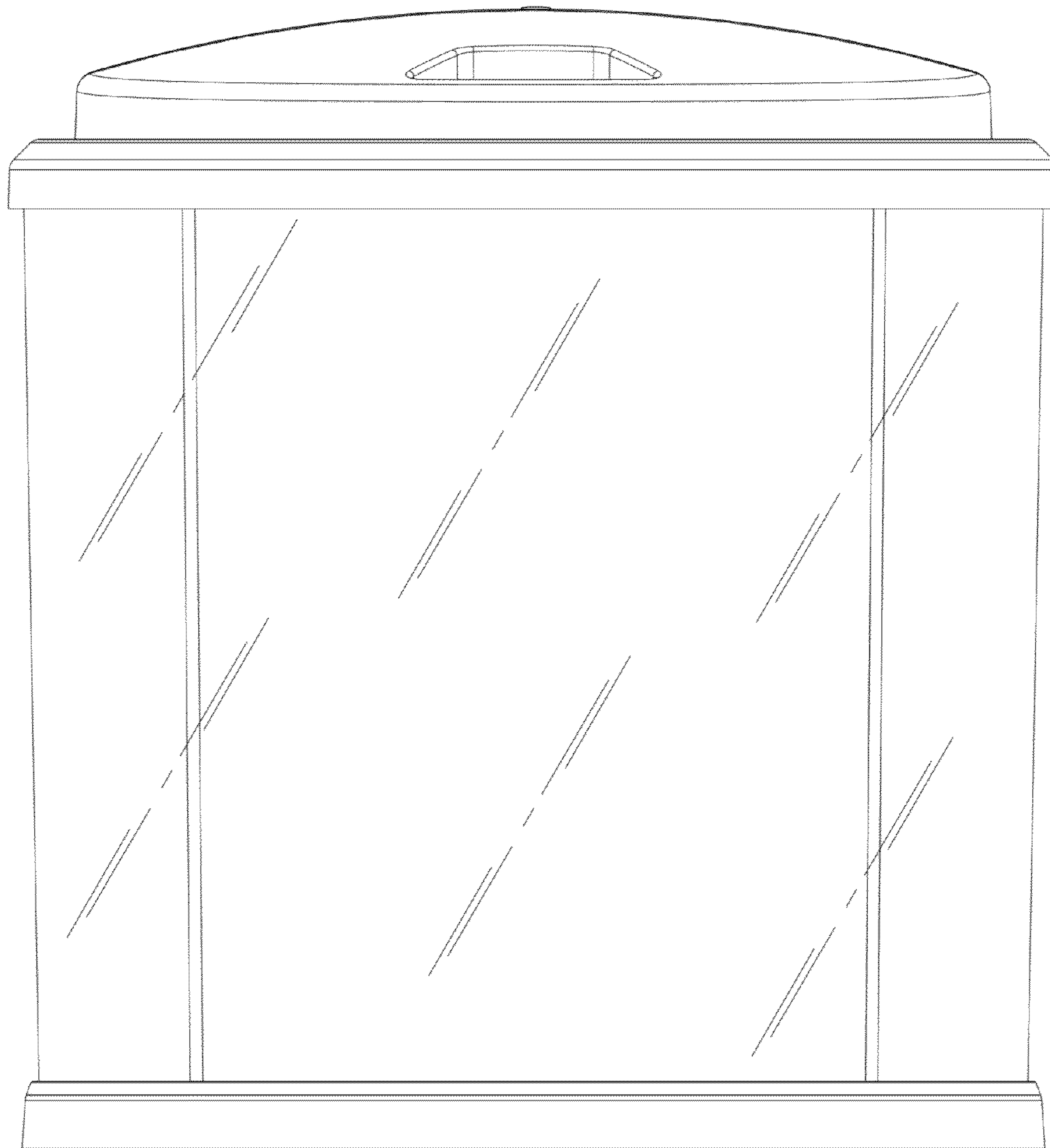


Figure 2

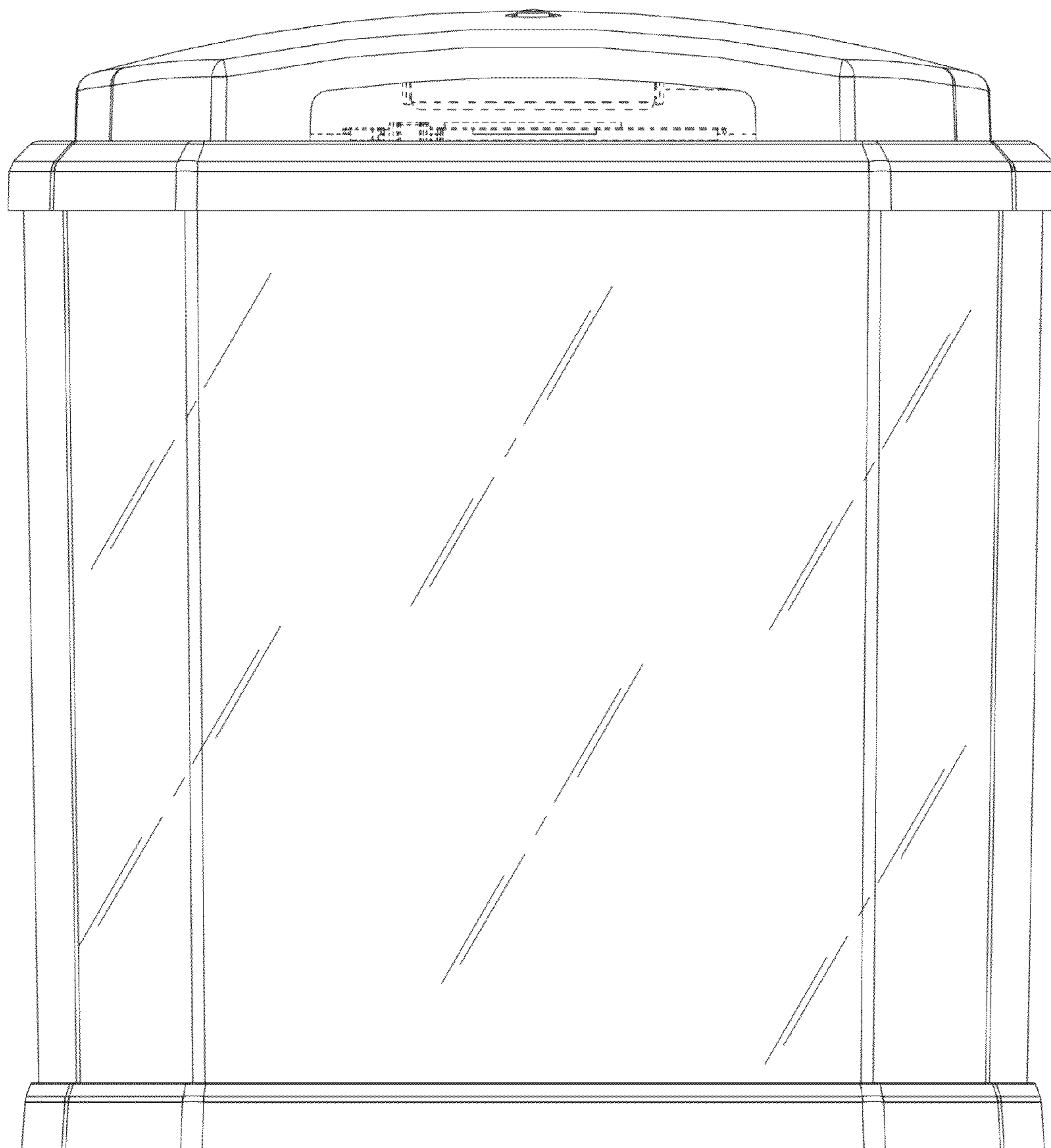


Figure 3

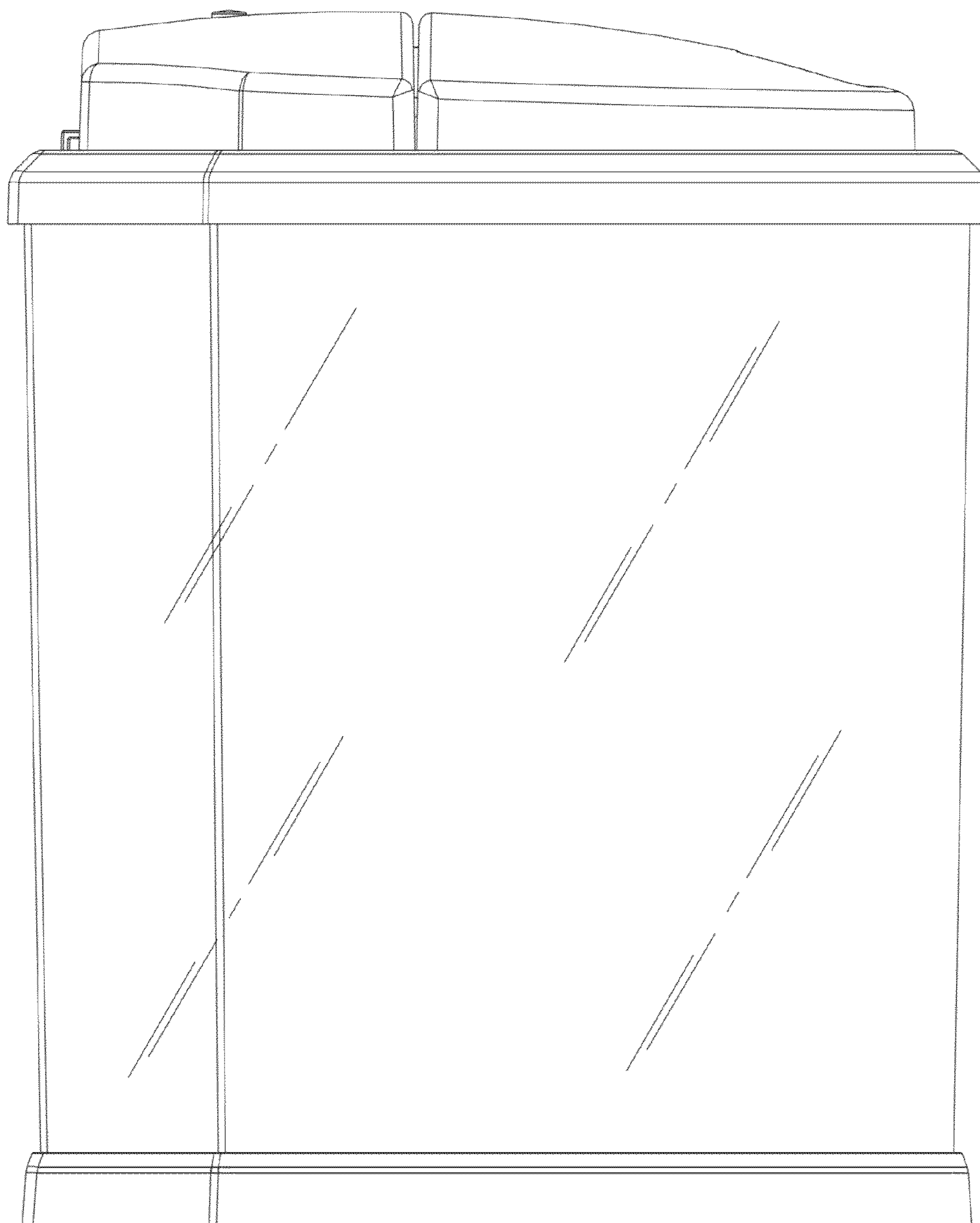


Figure 4

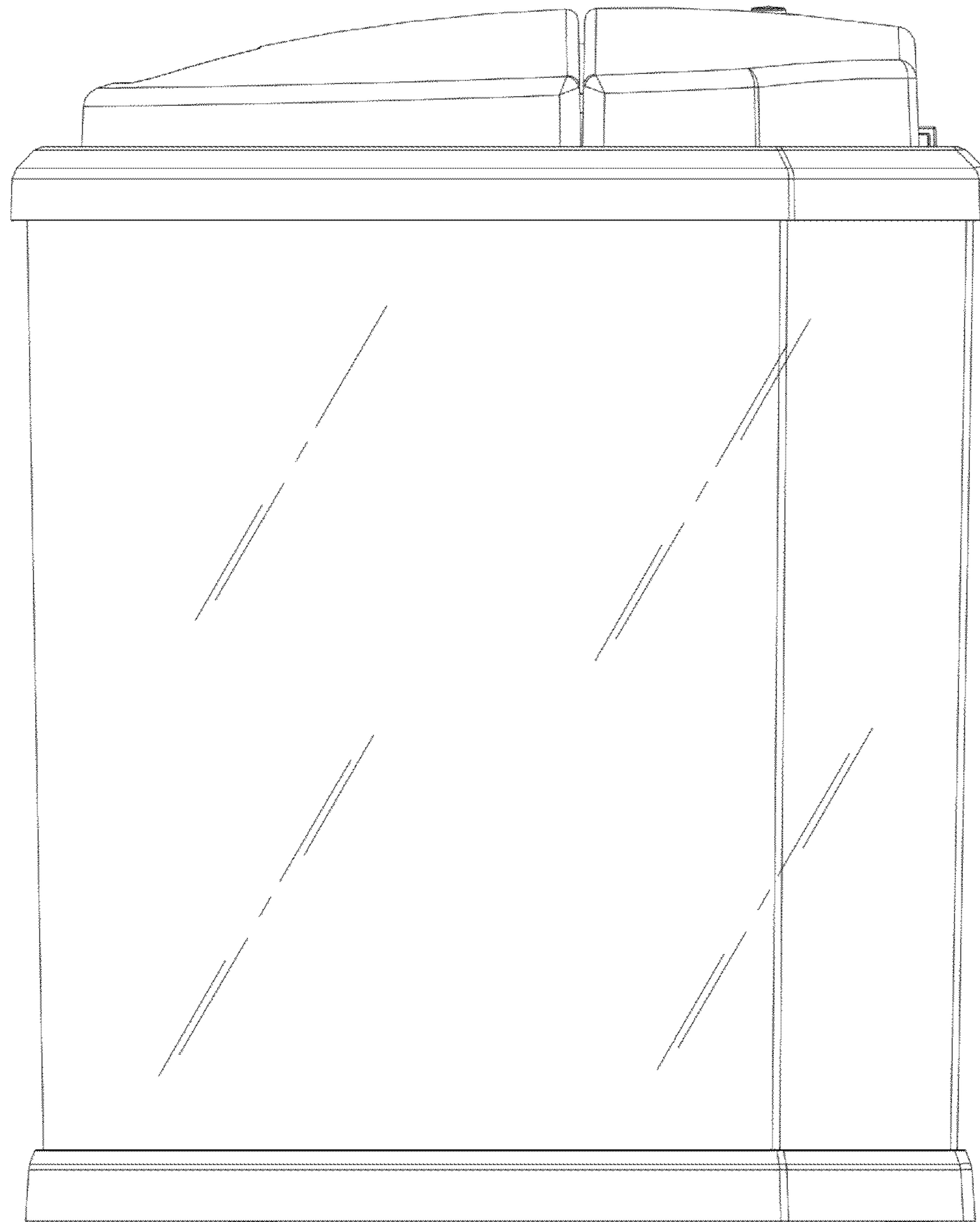


Figure 5

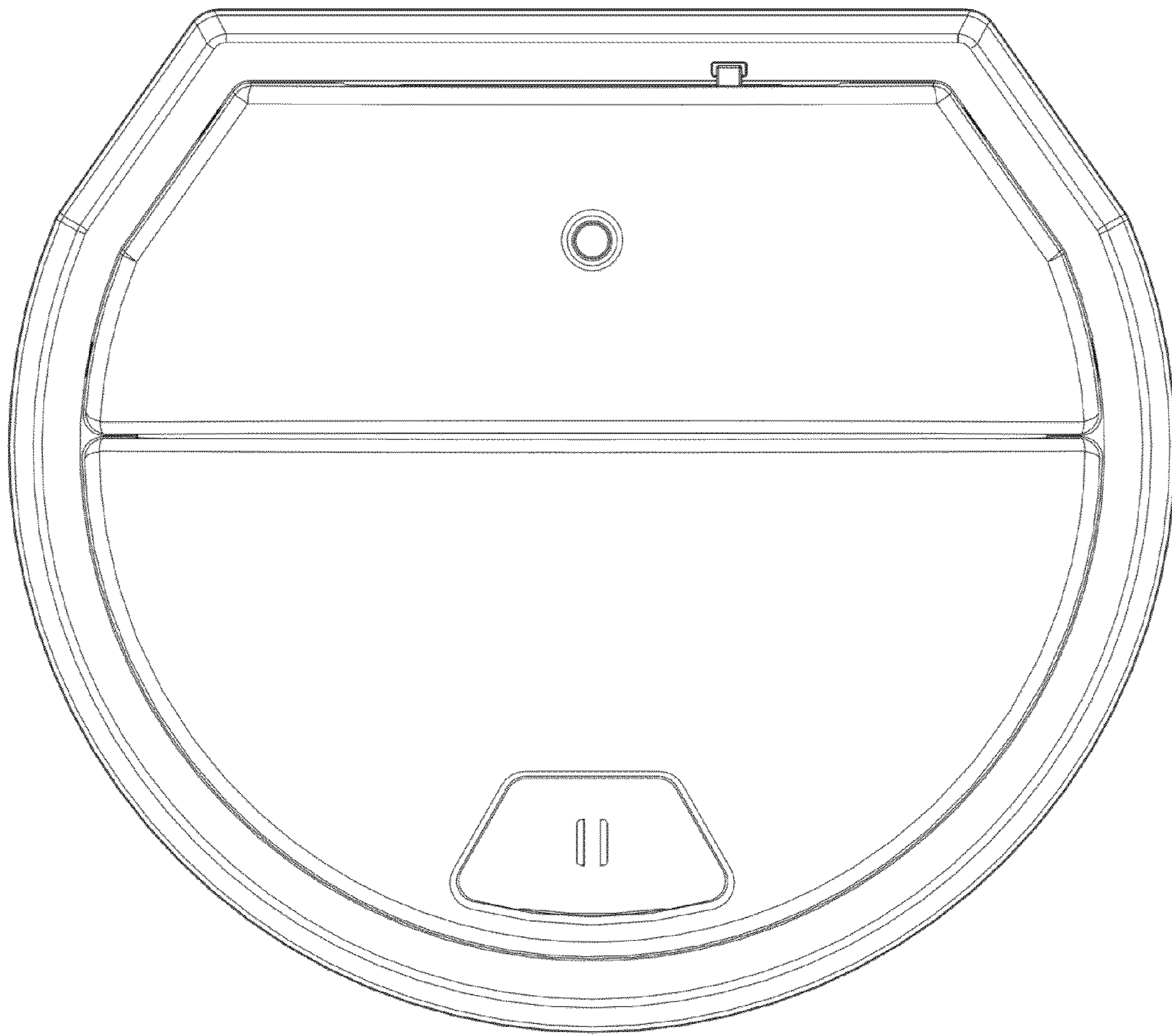


Figure 6