



US00D701345S

(12) **United States Design Patent**
Ghini

(10) **Patent No.:** **US D701,345 S**
(45) **Date of Patent:** **** Mar. 18, 2014**

(54) **LIGHTING APPARATUS**

(56) **References Cited**

(71) Applicant: **Iguzzini Illuminazione S.p.A.**, Recanati (IT)

U.S. PATENT DOCUMENTS

(72) Inventor: **Massimo Ghini**, Bologna (IT)

D98,924 S *	3/1936	Fassin	D16/235
D340,305 S *	10/1993	Hall et al.	D26/68
D431,307 S *	9/2000	Zelina et al.	D26/24
D452,027 S *	12/2001	Mashevsky	D26/63
D490,172 S *	5/2004	Yamamoto	D26/28
D499,976 S *	12/2004	Neufeglise et al.	D10/114.4
D505,507 S *	5/2005	Han-Shim	D26/42
D510,636 S *	10/2005	Yamamoto	D26/28
D551,786 S *	9/2007	Smith	D26/28
D582,084 S *	12/2008	Gebhard et al.	D26/28
7,744,259 B2 *	6/2010	Walczak et al.	362/421
D640,405 S *	6/2011	Yamada	D26/63
D646,428 S *	10/2011	Gordin et al.	D26/118
D659,896 S *	5/2012	Gordin et al.	D26/118
8,240,885 B2 *	8/2012	Miller	362/294
D667,586 S *	9/2012	Wilcox et al.	D26/85
D685,519 S *	7/2013	Teranishi et al.	D26/118
2010/0315812 A1 *	12/2010	Liu	362/235

(73) Assignee: **Iguzzini Illuminazione S.p.A.**, Recanati (IT)

(**) Term: **14 Years**

(21) Appl. No.: **29/434,735**

(22) Filed: **Oct. 16, 2012**

(30) **Foreign Application Priority Data**

Apr. 17, 2012 (EM) 0020276800006

(51) **LOC (10) Cl.** **26-99**

(52) **U.S. Cl.**
USPC **D26/118**

(58) **Field of Classification Search**
USPC D26/25, 24, 26, 28, 113, 118, 119, 120,
D26/64, 65, 72, 74, 75, 73, 68, 69, 70, 71,
D26/152, 153, 154, 122, 123, 145, 155, 121,
D26/138, 139, 86, 85, 87, 89, 66, 67, 76, 77,
D26/78, 84, 88, 95, 96, 124, 125, 126, 227,
D26/128, 129, 146, 144, 130, 151, 142, 143,
D26/140, 141, 45, 38, 39, 1, 2, 3, 127;
362/362, 326, 373, 623, 600, 371, 297,
362/294, 249.01, 249.03-249.05, 218;
D10/111, 113.1, 114.1; 257/88;
D13/179, 180

See application file for complete search history.

* cited by examiner

Primary Examiner — Kevin Rudzinski

(74) *Attorney, Agent, or Firm* — Abelman, Frayne & Schwab

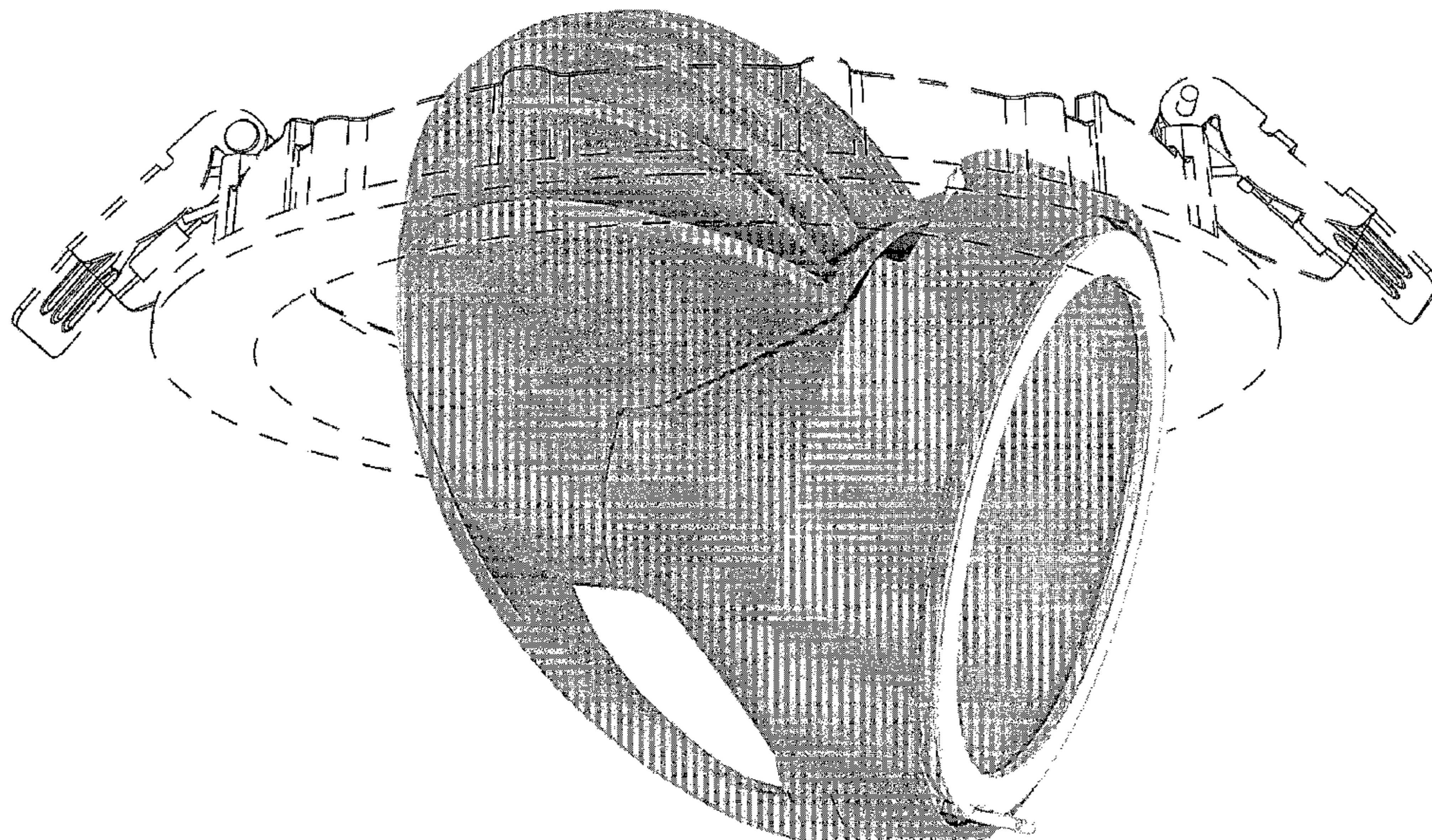
(57) **CLAIM**

The ornamental design for a lighting apparatus, as shown and described.

DESCRIPTION

FIG. 1 is a top front left side perspective view of my new lighting apparatus,
FIG. 2 is a front elevation view thereof,
FIG. 3 is a rear elevation view thereof,
FIG. 4 is a left side elevation view thereof,
FIG. 5 is a right side elevation view thereof,
FIG. 6 is a top plan view thereof; and,
FIG. 7 is a bottom plan view thereof. The structure shown in the dashed lines in the drawings illustrate environmental structures and form no part of the claimed design.

1 Claim, 7 Drawing Sheets



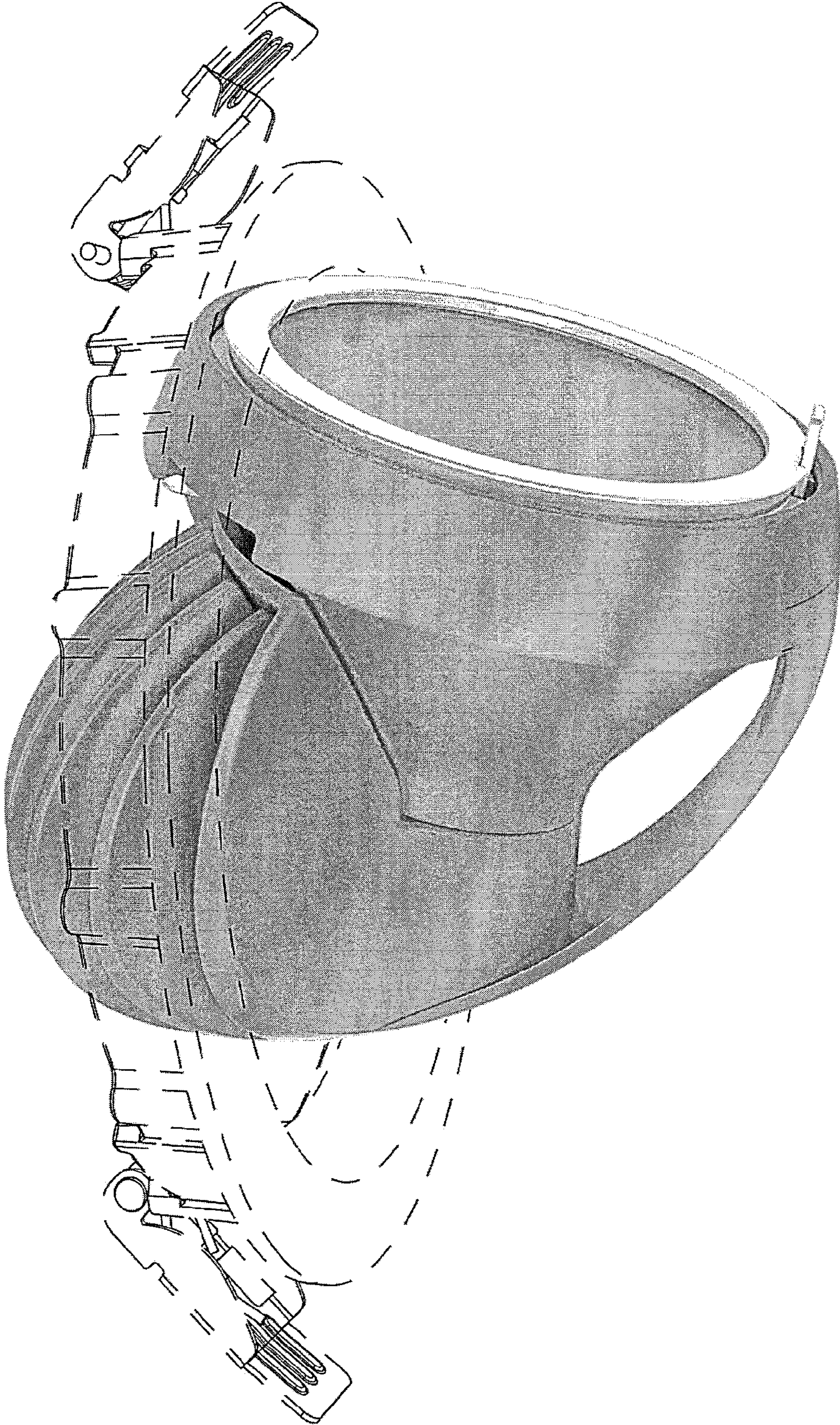


FIG. 1

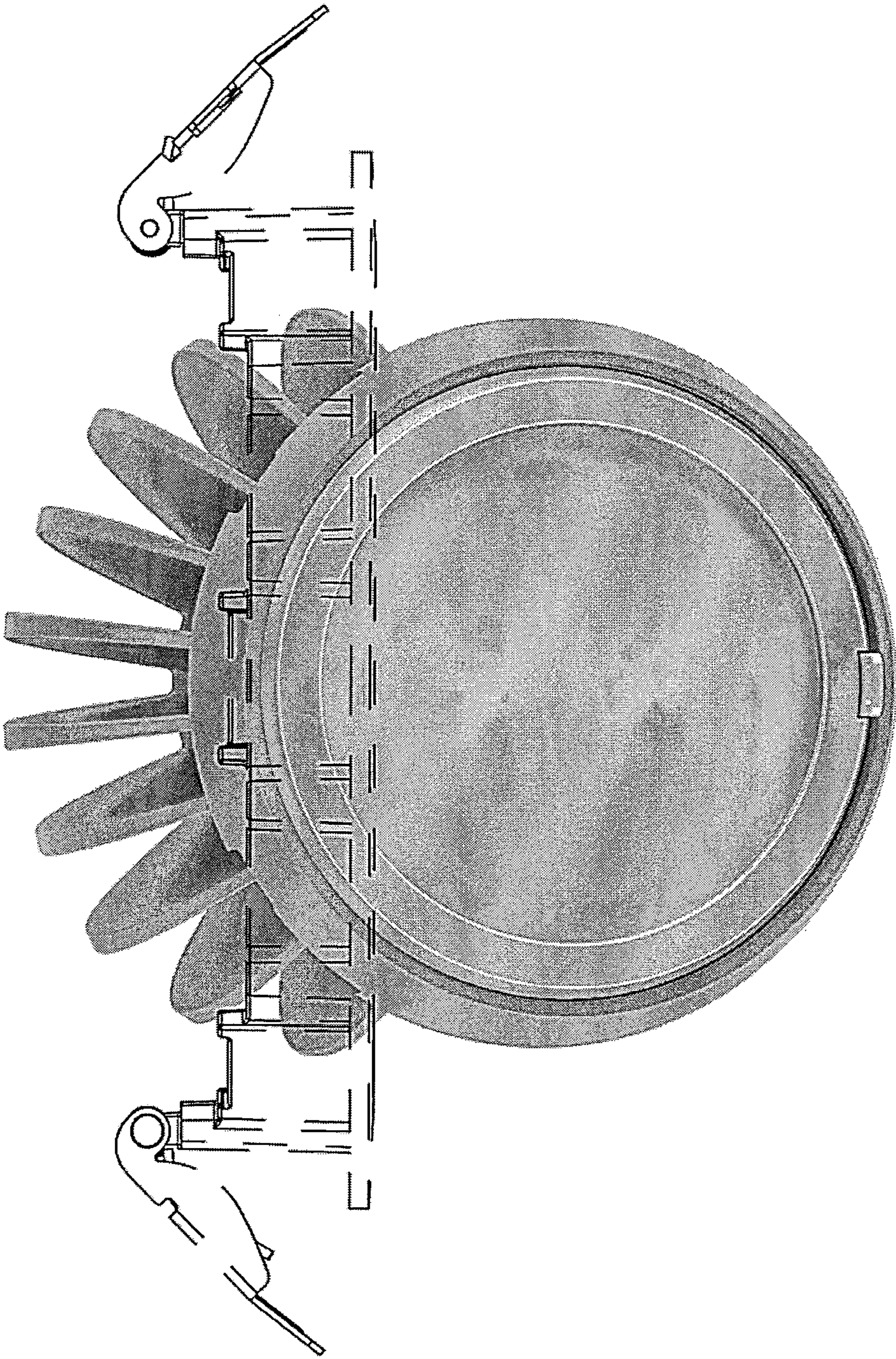


FIG. 2

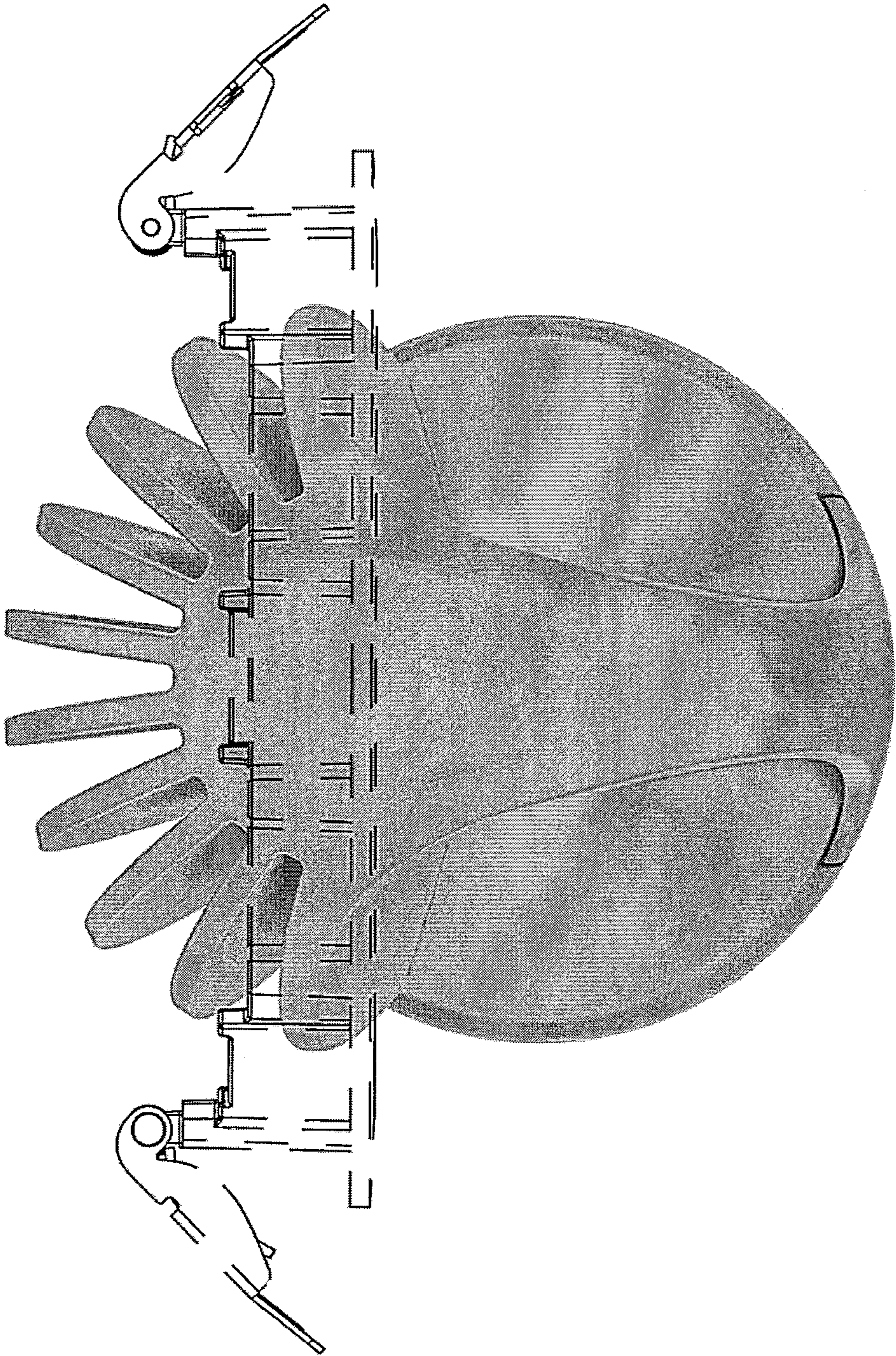


FIG. 3

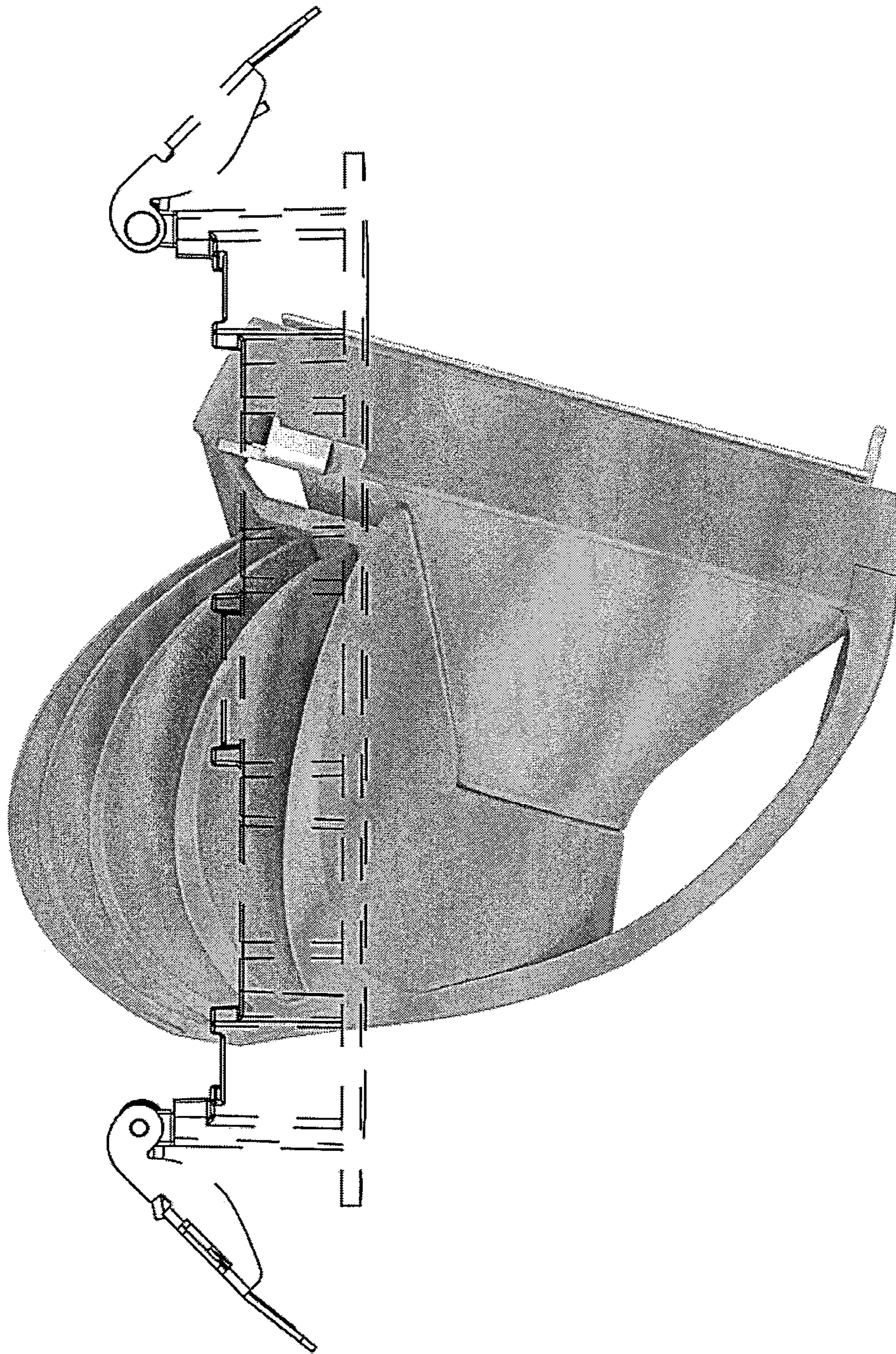


FIG. 4

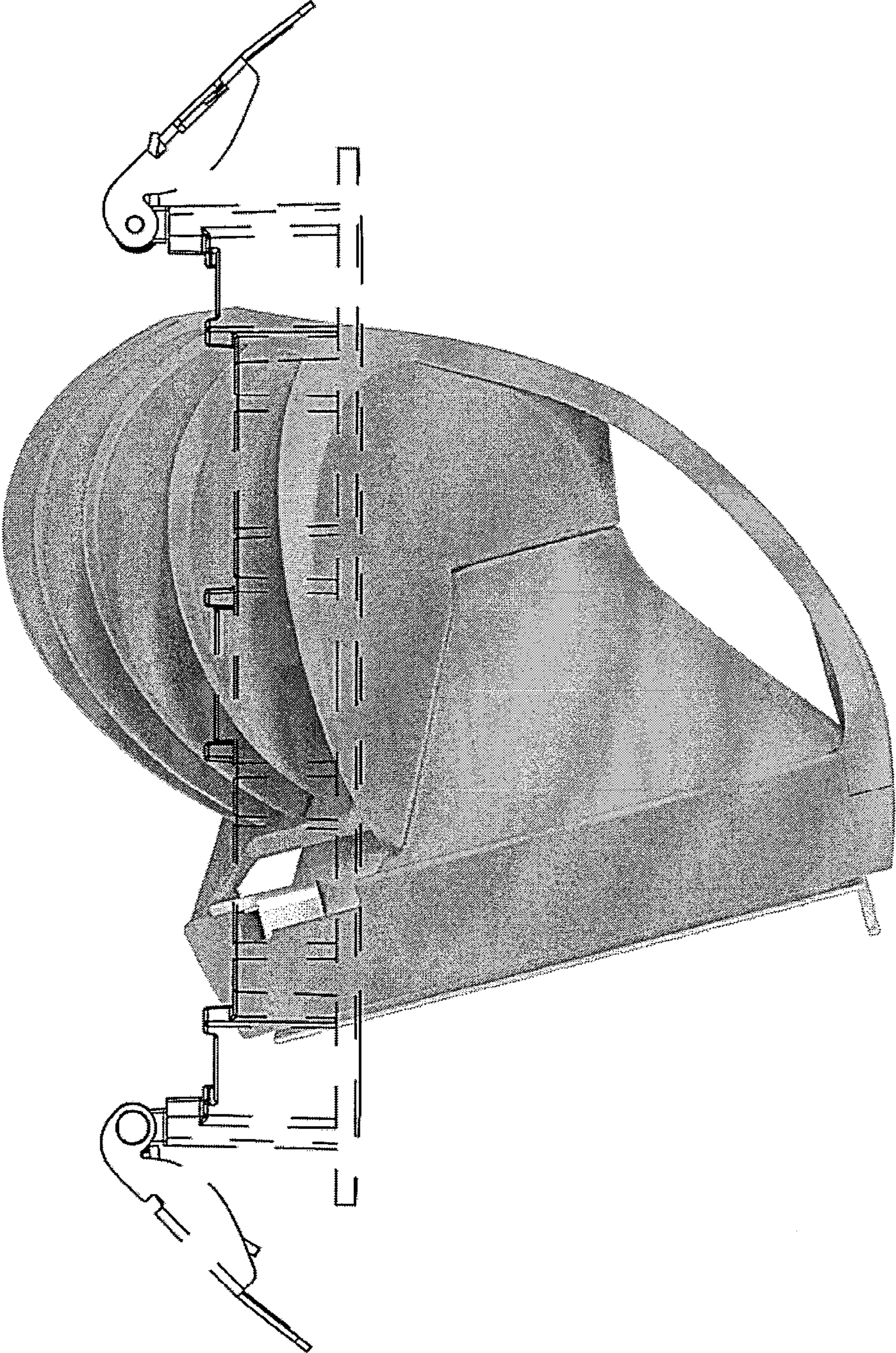


FIG. 5

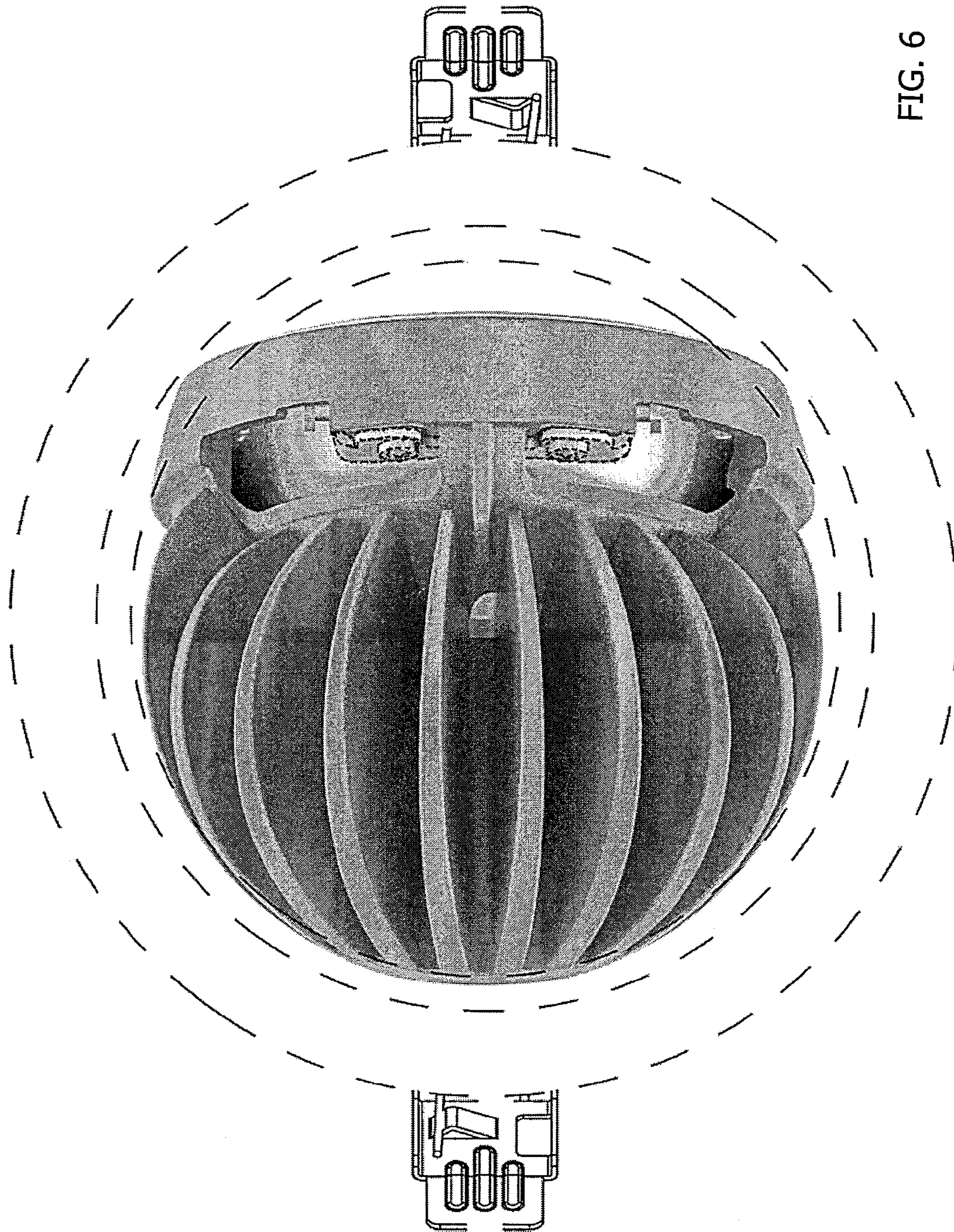


FIG. 6

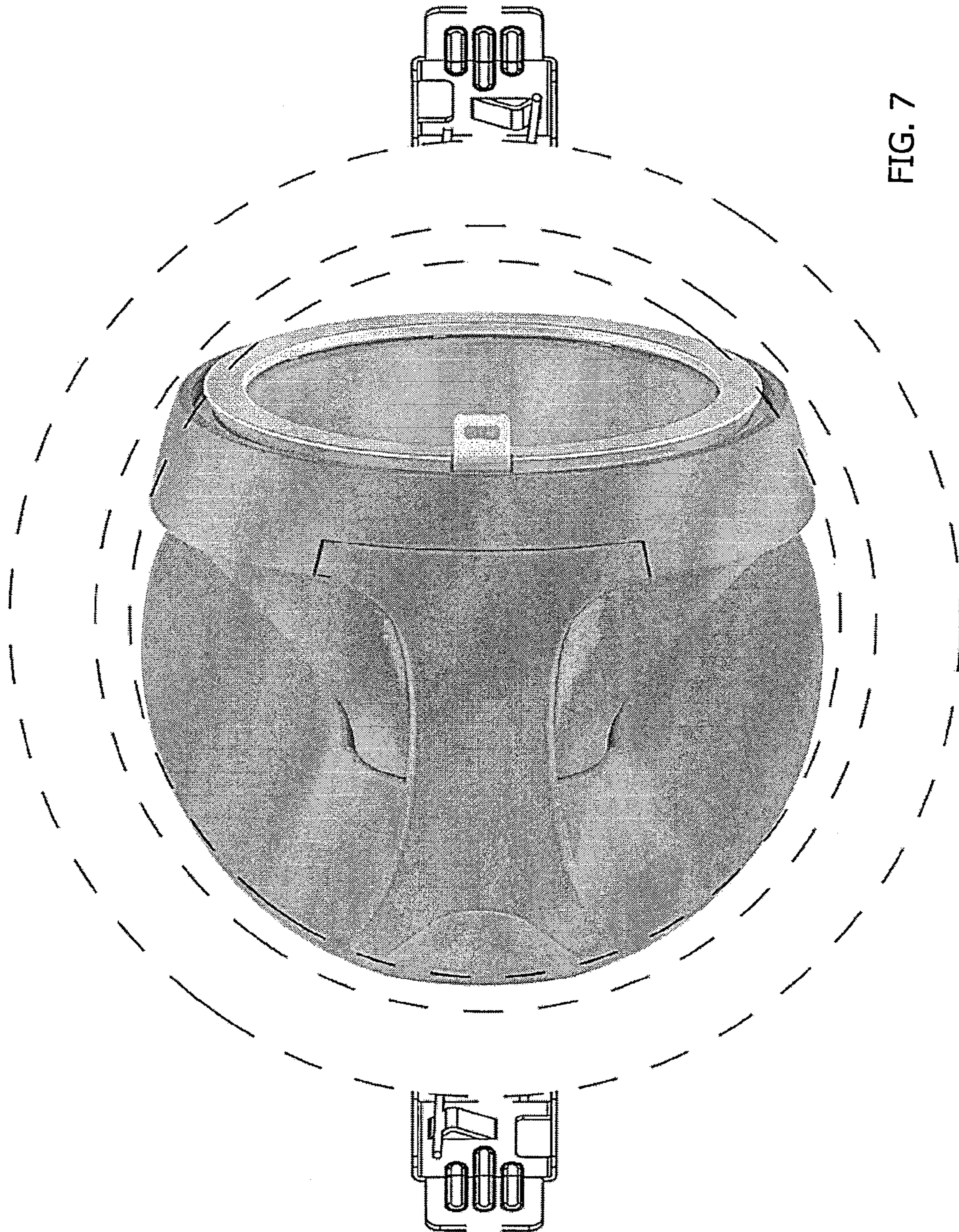


FIG. 7