



US00D701344S

(12) **United States Design Patent**  
**Kuo**

(10) **Patent No.:** **US D701,344 S**  
(45) **Date of Patent:** **\*\* Mar. 18, 2014**

(54) **HEAT SINK OF A LAMP**

(71) Applicant: **Chao-Cheng Kuo**, Kaohsiung (TW)

(72) Inventor: **Chao-Cheng Kuo**, Kaohsiung (TW)

(\*\*) Term: **14 Years**

(21) Appl. No.: **29/448,839**

(22) Filed: **Mar. 14, 2013**

(30) **Foreign Application Priority Data**

Jan. 14, 2013 (TW) ..... 102300339

(51) **LOC (10) Cl.** ..... **26-99**

(52) **U.S. Cl.**  
USPC ..... **D26/113**

(58) **Field of Classification Search**  
USPC ..... D26/25, 24, 26, 28, 113, 118, 119, 120,  
D26/64, 65, 72, 74, 75, 73, 68, 69, 70, 71,  
D26/152, 153, 154, 122, 123, 145, 155, 121,  
D26/138, 139, 86, 85, 87, 89, 66, 67, 76, 77,  
D26/78, 84, 88, 95, 96, 124, 125, 126, 227,  
D26/128, 129, 146, 144, 130, 151, 142, 143,  
D26/140, 141, 45, 38, 39, 1, 2, 3, 127;  
362/362, 326, 373, 623, 600, 371, 297,  
362/294, 249.01, 249.03–249.05, 218;  
D10/111, 113.1, 114.1; 257/88;  
D13/179, 180

See application file for complete search history.

(56) **References Cited**

**U.S. PATENT DOCUMENTS**

D274,068 S \* 5/1984 Sverdlin ..... D26/138  
D392,763 S \* 3/1998 Denison et al. .... D26/68  
D448,510 S \* 9/2001 Milicia ..... D26/67  
D459,824 S \* 7/2002 Leen ..... D26/73  
D462,478 S \* 9/2002 Johnson ..... D26/127  
D470,621 S \* 2/2003 Cheng ..... D26/127

D504,082 S \* 4/2005 Weiser et al. .... D11/117  
D525,903 S \* 8/2006 Weiser et al. .... D11/117  
D537,191 S \* 2/2007 Husbands ..... D26/101  
D570,517 S \* 6/2008 Milicia ..... D26/71  
D573,111 S \* 7/2008 Liu et al. .... D13/179  
D597,439 S \* 8/2009 Williams ..... D11/91  
D600,224 S \* 9/2009 Lanktree ..... D13/183  
D645,600 S \* 9/2011 Chen ..... D26/67  
D645,989 S \* 9/2011 Cheng ..... D26/2  
D650,514 S \* 12/2011 Lin et al. .... D26/118  
D654,602 S \* 2/2012 Carroll et al. .... D26/2  
D656,389 S \* 3/2012 Goodman et al. .... D8/367  
D658,788 S \* 5/2012 Dudik et al. .... D26/2  
D660,991 S \* 5/2012 Allen et al. .... D26/2  
D662,626 S \* 6/2012 Chou ..... D26/2

(Continued)

*Primary Examiner* — Kevin Rudzinski

(74) *Attorney, Agent, or Firm* — Alan Kamrath; Kamrath IP Lawfirm, P.A.

(57) **CLAIM**

The ornamental design for a heat sink of a lamp, as shown and described.

**DESCRIPTION**

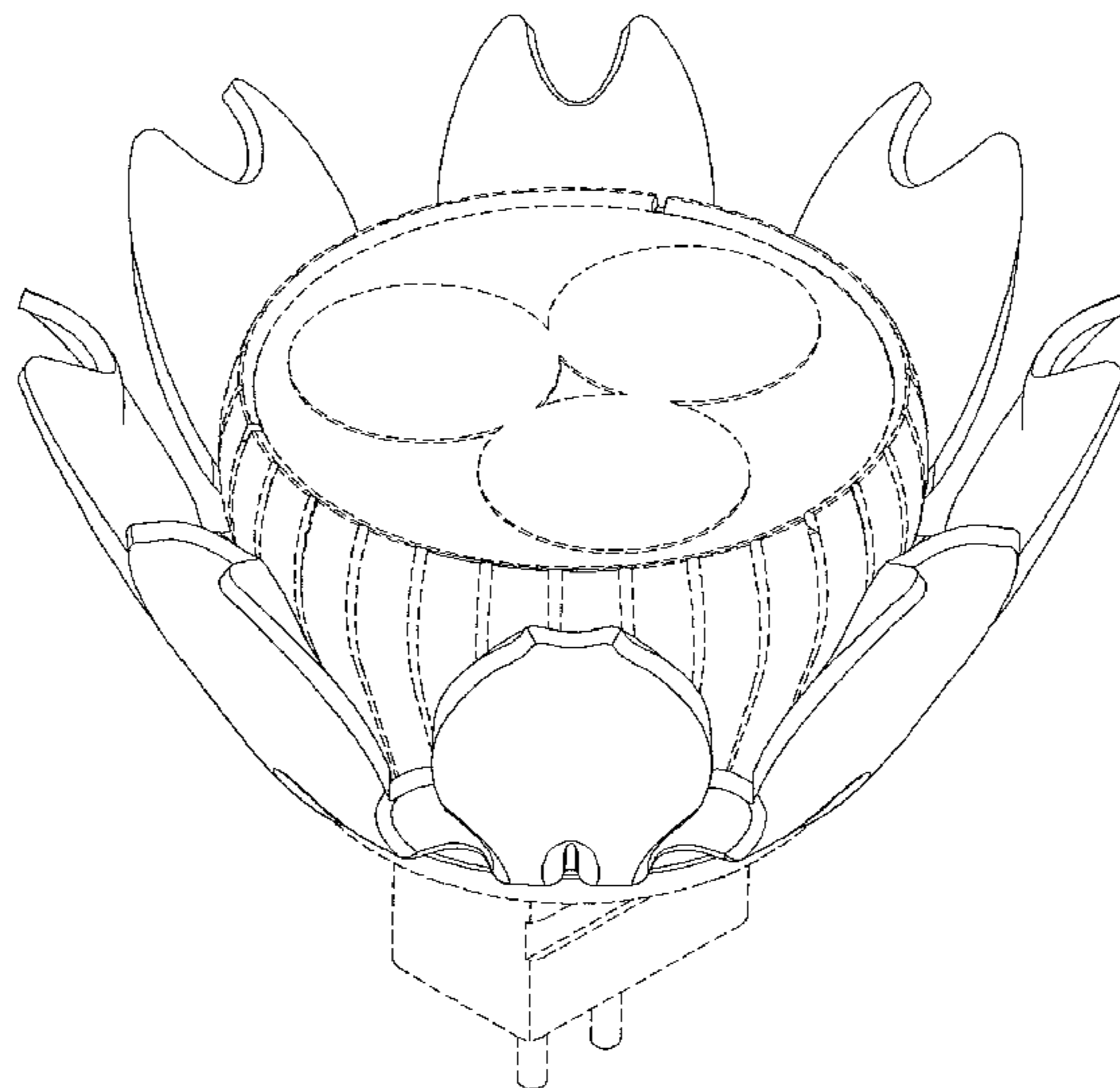
FIG. 1 is a perspective view of a heat sink of a lamp showing my new design;  
FIG. 2 is a left side elevational view of the heat sink of a lamp;  
FIG. 3 is a top plan view thereof;  
FIG. 4 is a front elevational view thereof;  
FIG. 5 is a bottom plan view thereof; and,  
FIG. 6 is a reference view thereof.

The right side elevational view is the same as the left side elevational view shown in FIG. 2.

The rear elevational view is the same as the front elevational view shown in FIG. 4.

The broken lines in the drawings that illustrate a lamp and portions of the heat sink are employed to illustrate environmental structure only and form no part of the claimed design.

**1 Claim, 6 Drawing Sheets**



(56)

**References Cited**

U.S. PATENT DOCUMENTS

D663,050 S \* 7/2012 Chou ..... D26/2  
D667,969 S \* 9/2012 Rioux et al. .... D26/2  
D670,412 S \* 11/2012 Parker et al. .... D26/2  
D674,927 S \* 1/2013 Chinniah et al. .... D26/2  
D675,126 S \* 1/2013 Hauskins ..... D11/117

D676,585 S \* 2/2013 Du et al. .... D26/2  
D682,454 S \* 5/2013 Glenn ..... D26/73  
D683,867 S \* 6/2013 Rioux et al. .... D26/2  
D683,881 S \* 6/2013 Desai ..... D26/73  
D683,912 S \* 6/2013 Muhr et al. .... D30/125  
2006/0274529 A1 \* 12/2006 Cao ..... 362/294  
2008/0130273 A1 \* 6/2008 Norton et al. .... 362/122

\* cited by examiner

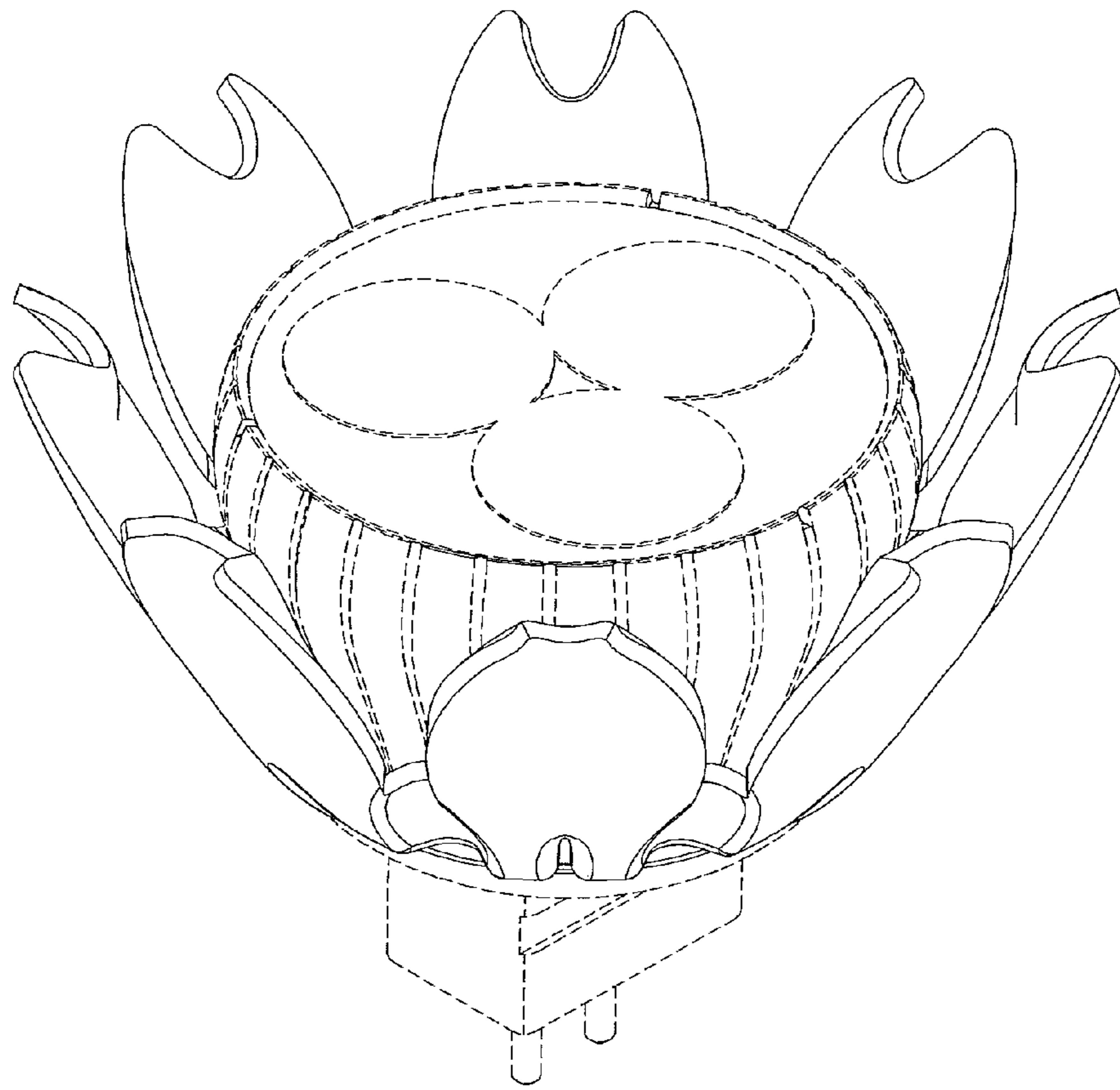


FIG. 1

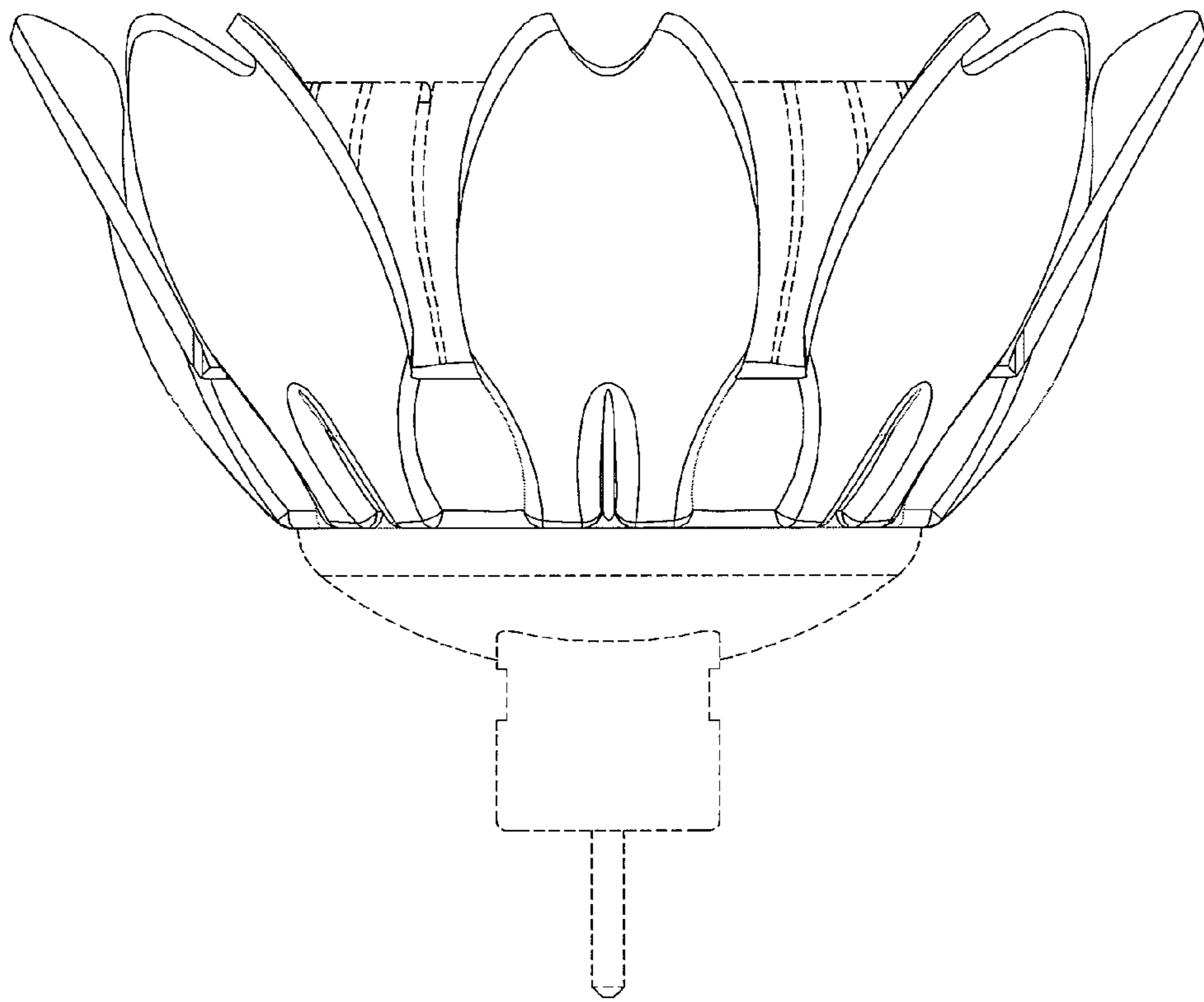


FIG. 2

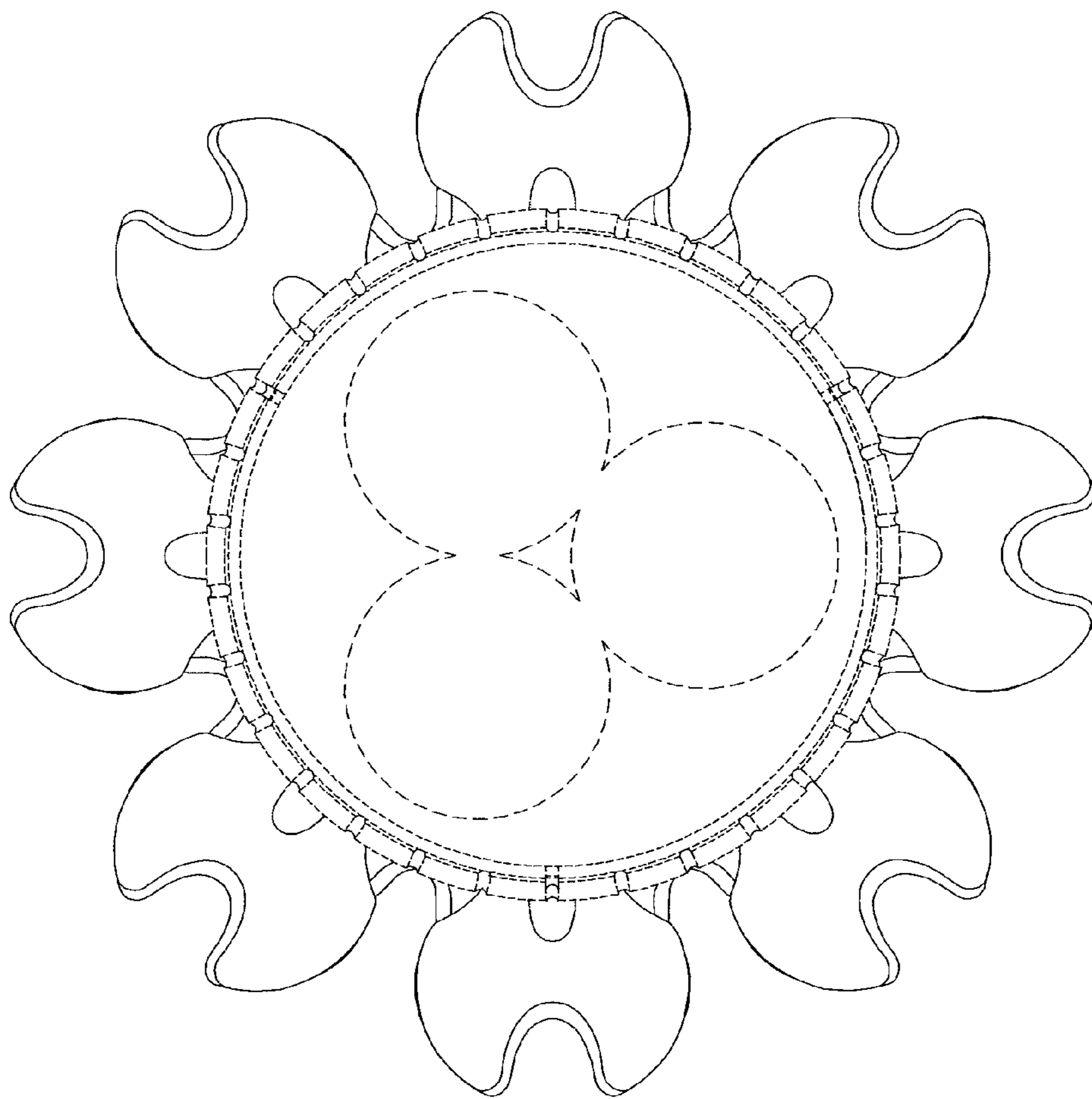


FIG. 3

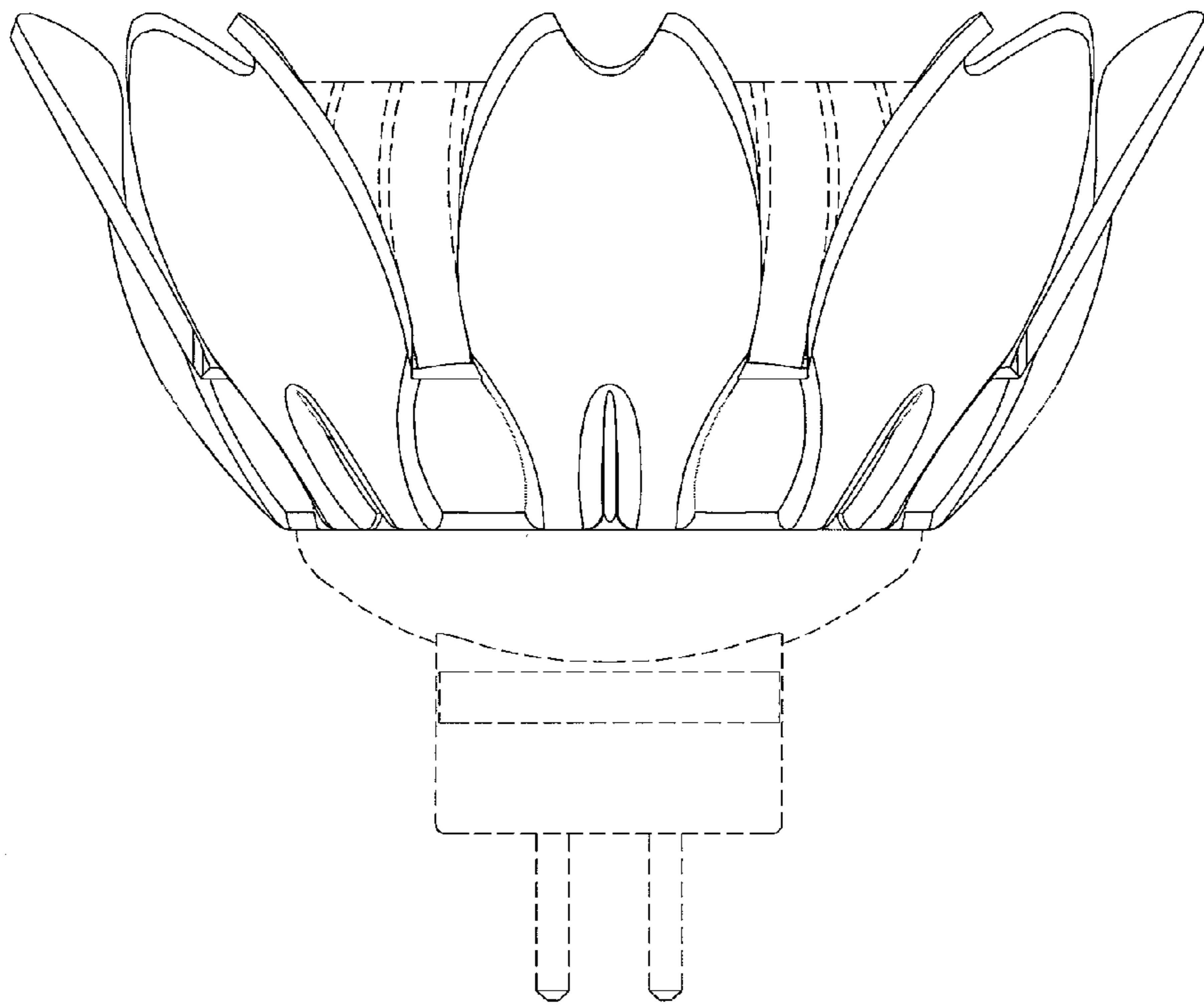


FIG. 4

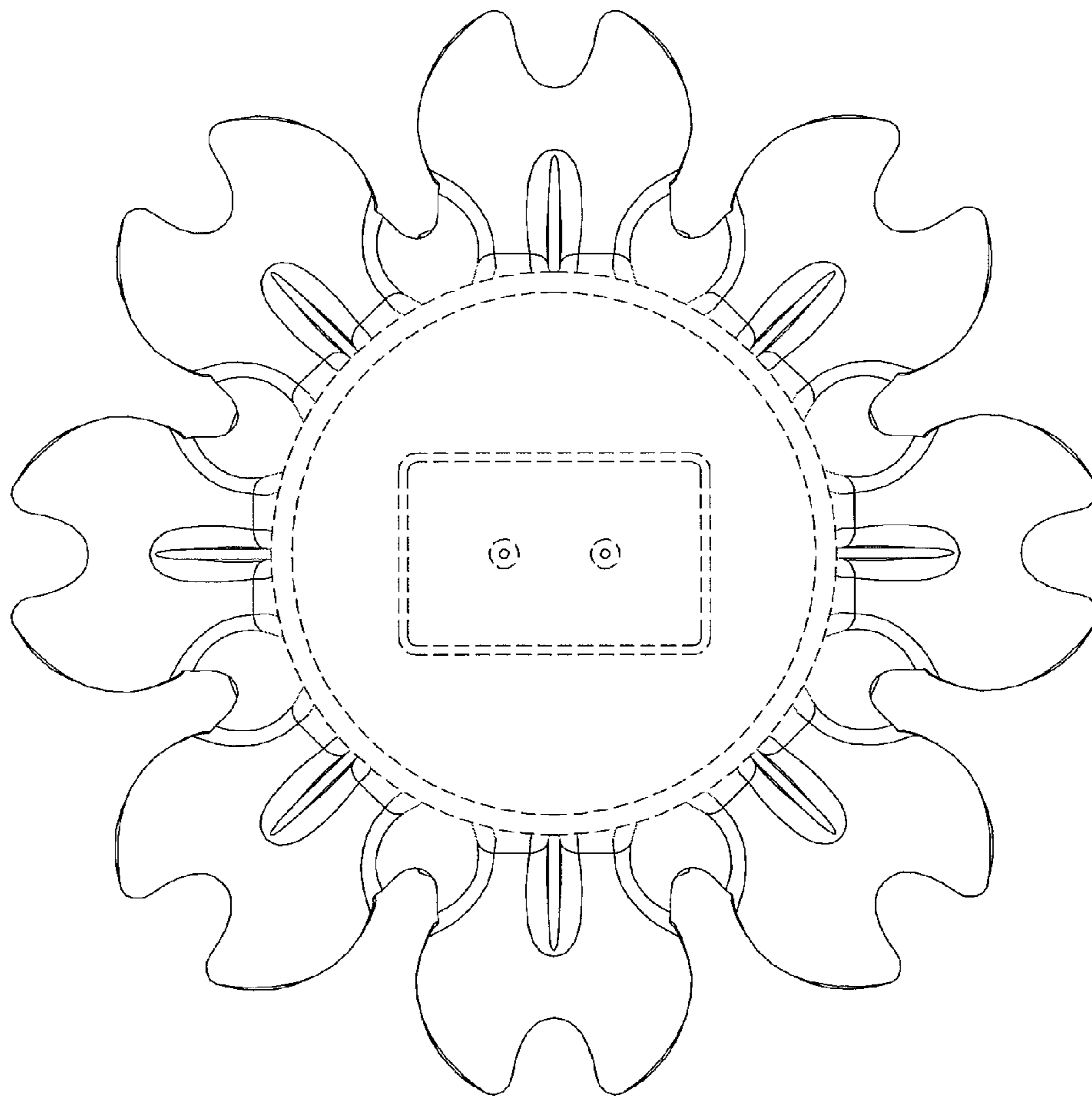


FIG. 5

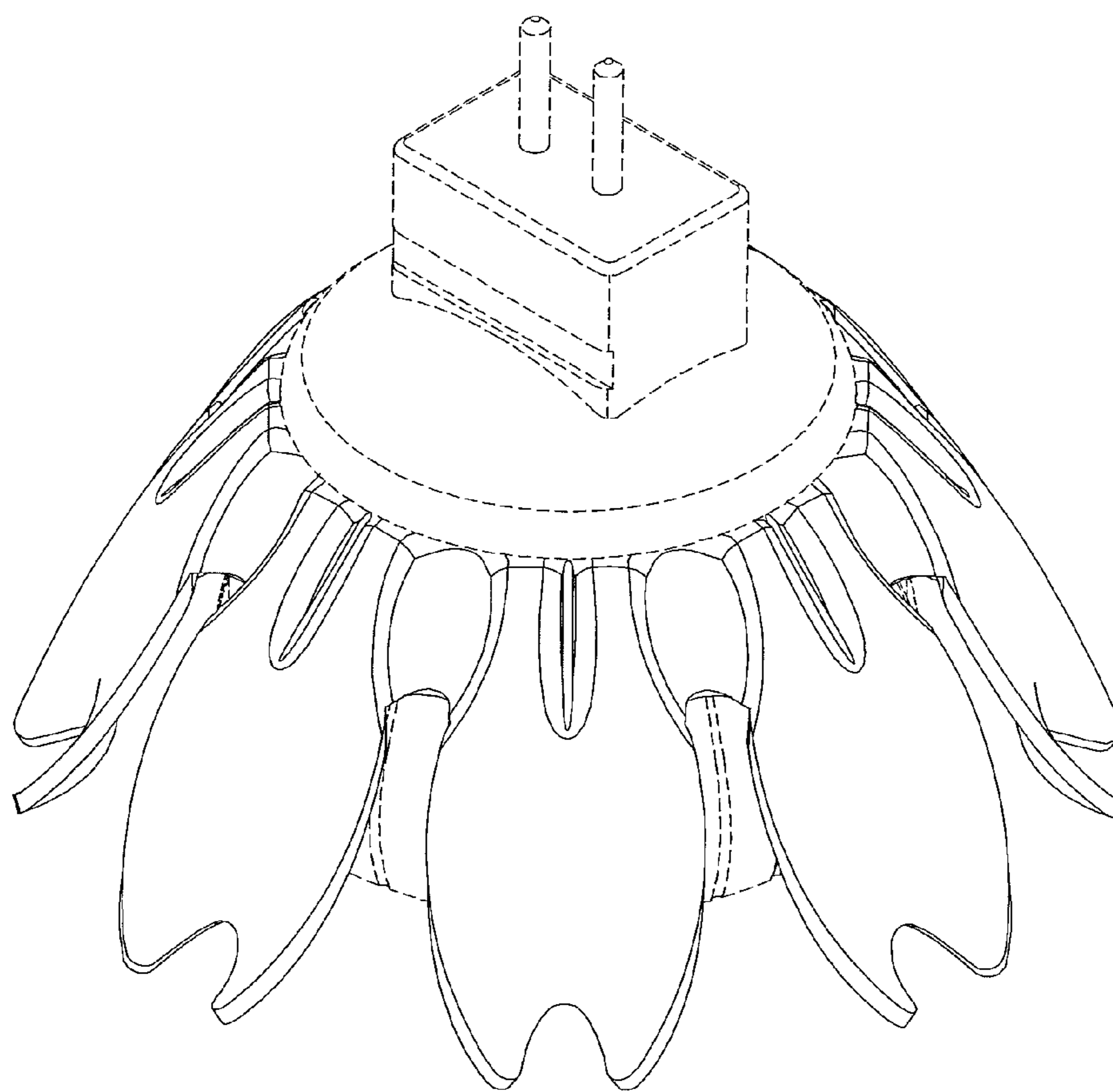


FIG. 6