



US00D701338S

(12) **United States Design Patent**  
**Iida**

(10) **Patent No.:** **US D701,338 S**  
(45) **Date of Patent:** **\*\* Mar. 18, 2014**

- (54) **LAMP FOR AN AUTOMOBILE**
- (71) Applicant: **Hideaki Iida**, London (GB)
- (72) Inventor: **Hideaki Iida**, London (GB)
- (73) Assignee: **Toyota Jidosha Kabushiki Kaisha**,  
Toyota-shi, Aichi-ken (JP)
- (\*\*) Term: **14 Years**
- (21) Appl. No.: **29/444,135**
- (22) Filed: **Jan. 25, 2013**
- (30) **Foreign Application Priority Data**  
Jul. 27, 2012 (JP) ..... 2012-017859
- (51) **LOC (10) Cl.** ..... **26-06**
- (52) **U.S. Cl.**  
USPC ..... **D26/28**
- (58) **Field of Classification Search**  
USPC ..... D26/28-36; 362/459-468, 475-478,  
362/485-487  
See application file for complete search history.

- (56) **References Cited**  
**U.S. PATENT DOCUMENTS**  
D541,445 S \* 4/2007 Lin ..... D26/28  
D549,363 S \* 8/2007 Pfeiffer ..... D26/28  
D550,380 S \* 9/2007 Lin ..... D26/28  
D552,769 S \* 10/2007 Leclercq ..... D26/28  
D553,268 S \* 10/2007 Pfeiffer ..... D26/28  
D553,269 S \* 10/2007 Pfeiffer et al. .... D26/28  
D560,292 S \* 1/2008 Sato ..... D26/28  
D565,211 S \* 3/2008 Haller et al. .... D26/28

- D570,015 S \* 5/2008 Hsu ..... D26/28
- D574,524 S \* 8/2008 Tomatsu ..... D26/28
- D602,616 S \* 10/2009 Okamura et al. .... D26/28
- D605,793 S \* 12/2009 Weil ..... D26/28
- D620,157 S \* 7/2010 Frenzel et al. .... D26/28

**OTHER PUBLICATIONS**

Netcarshow.com; URL: [http://www.netcarshow.com/lexus/2011-ct\\_200h/800x600/wallpaper\\_44.htm](http://www.netcarshow.com/lexus/2011-ct_200h/800x600/wallpaper_44.htm); Mfg.: Lexus; Model: CT 200h (2011); available on at least Jan. 26, 2012.  
Netcarshow.com; URL: [http://www.netcarshow.com/lexus/2013-gs\\_450h/800x600/wallpaper\\_32.htm](http://www.netcarshow.com/lexus/2013-gs_450h/800x600/wallpaper_32.htm); Mfg.: Lexus; Model: GS 450h (2013); available on at least Jan. 26, 2012.

\* cited by examiner

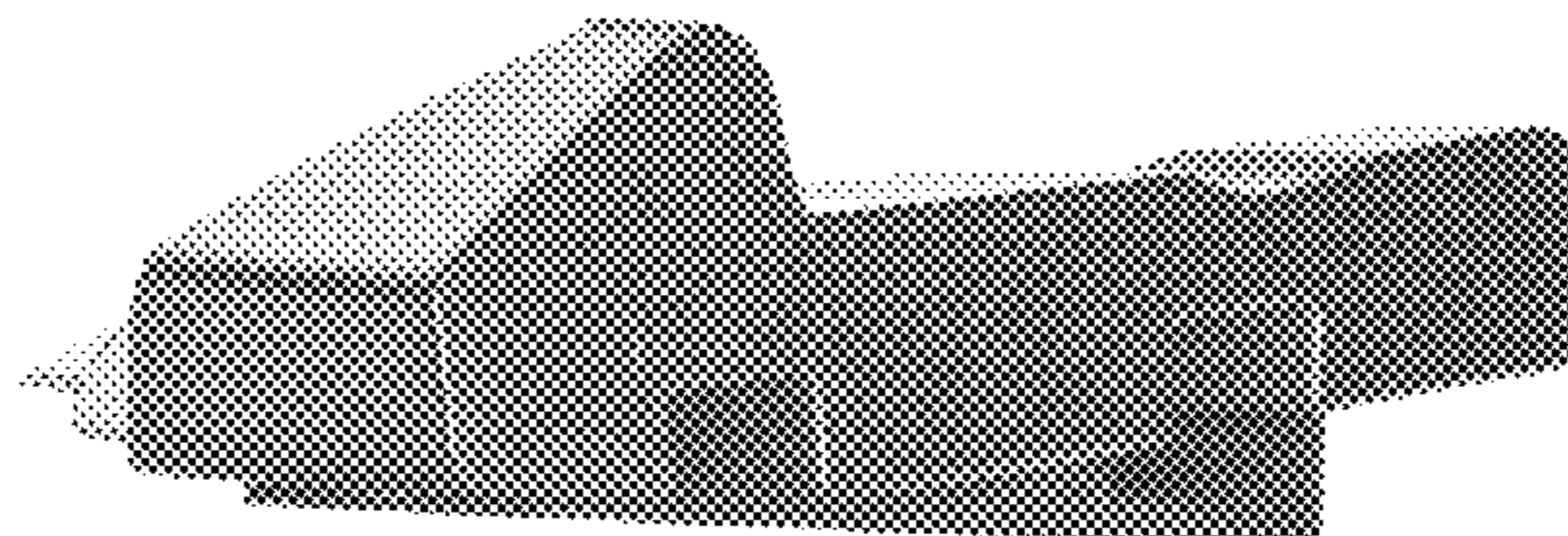
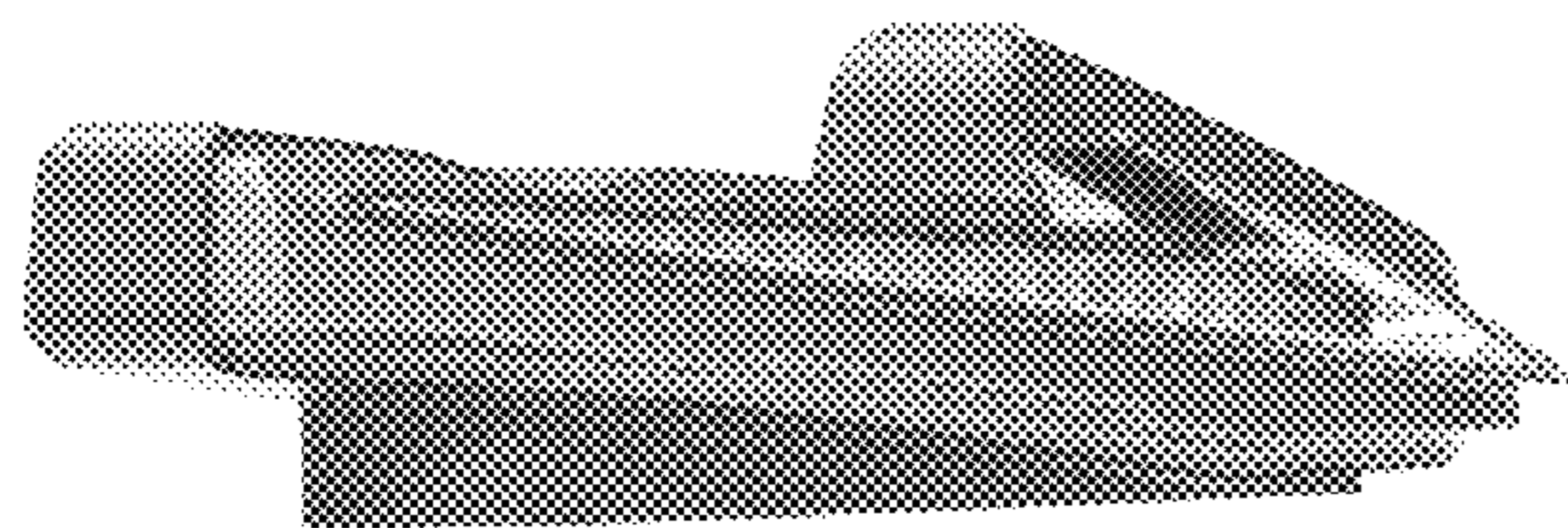
*Primary Examiner* — Marcus Jackson  
(74) *Attorney, Agent, or Firm* — Finnegan, Henderson, Farabow, Garrett & Dunner, LLP

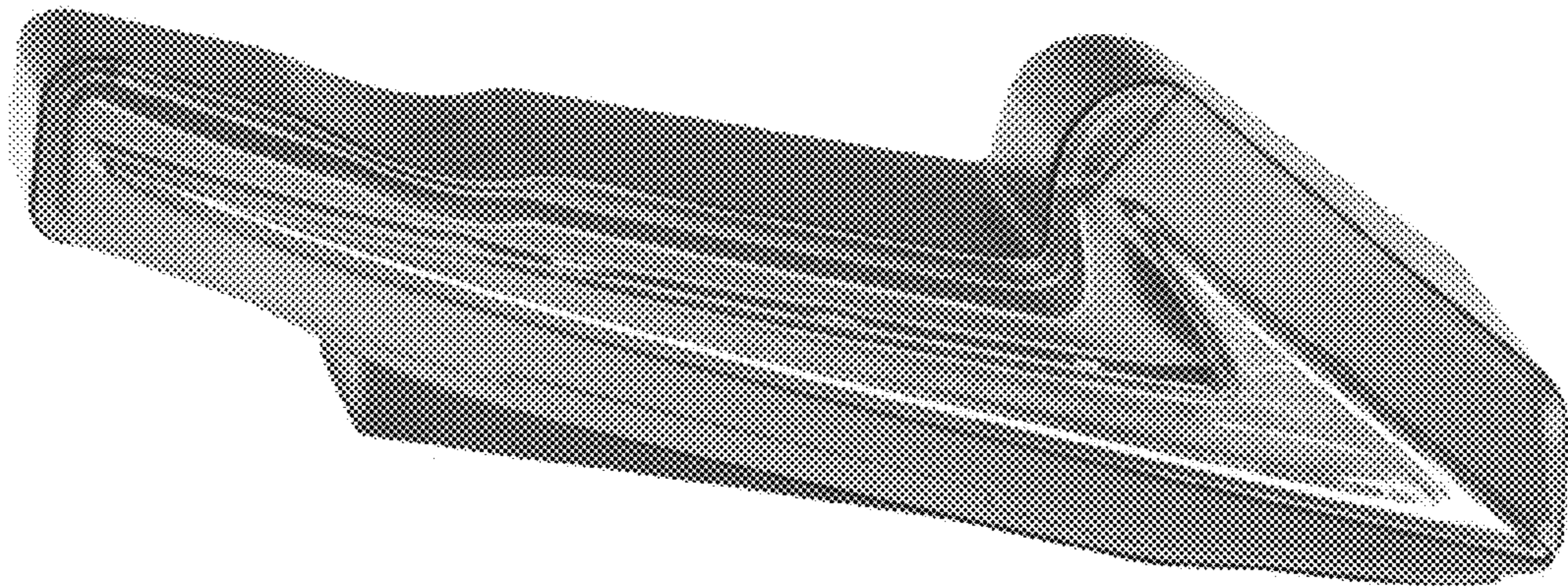
(57) **CLAIM**  
The ornamental design for a lamp for an automobile, as shown and described.

**DESCRIPTION**

FIG. 1 is a perspective view of a lamp for an automobile showing my new design;  
FIG. 2 is a front view thereof;  
FIG. 3 is a rear view thereof;  
FIG. 4 is a left side elevation view thereof;  
FIG. 5 is a right side elevation view thereof;  
FIG. 6 is a top plan view thereof; and,  
FIG. 7 is a bottom view thereof.  
My design includes the mirror image of the embodiment disclosed.

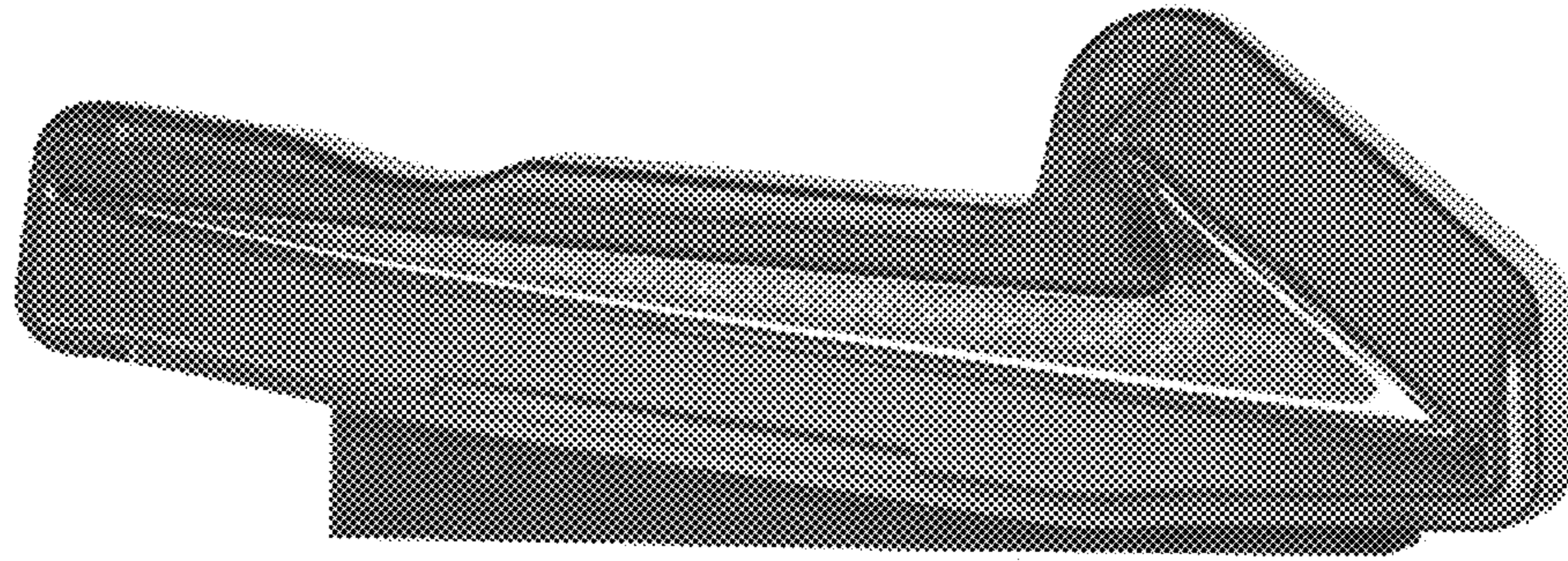
**1 Claim, 4 Drawing Sheets**



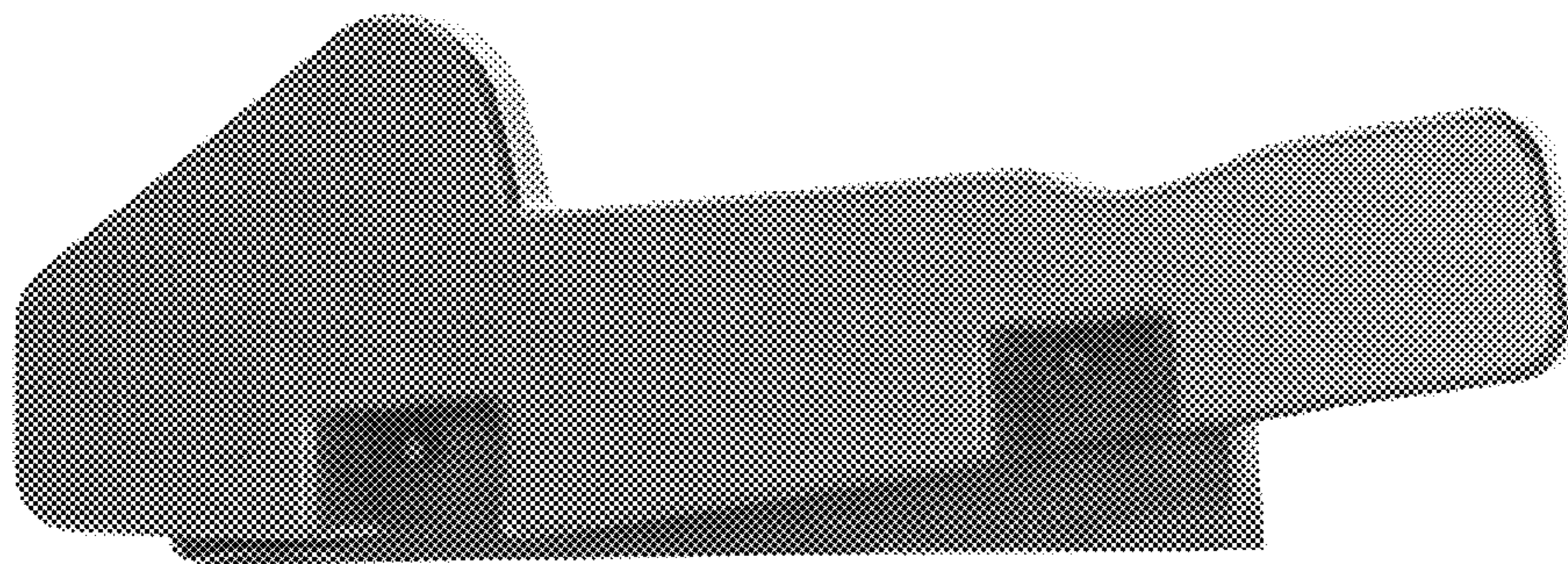


***FIG. 1***

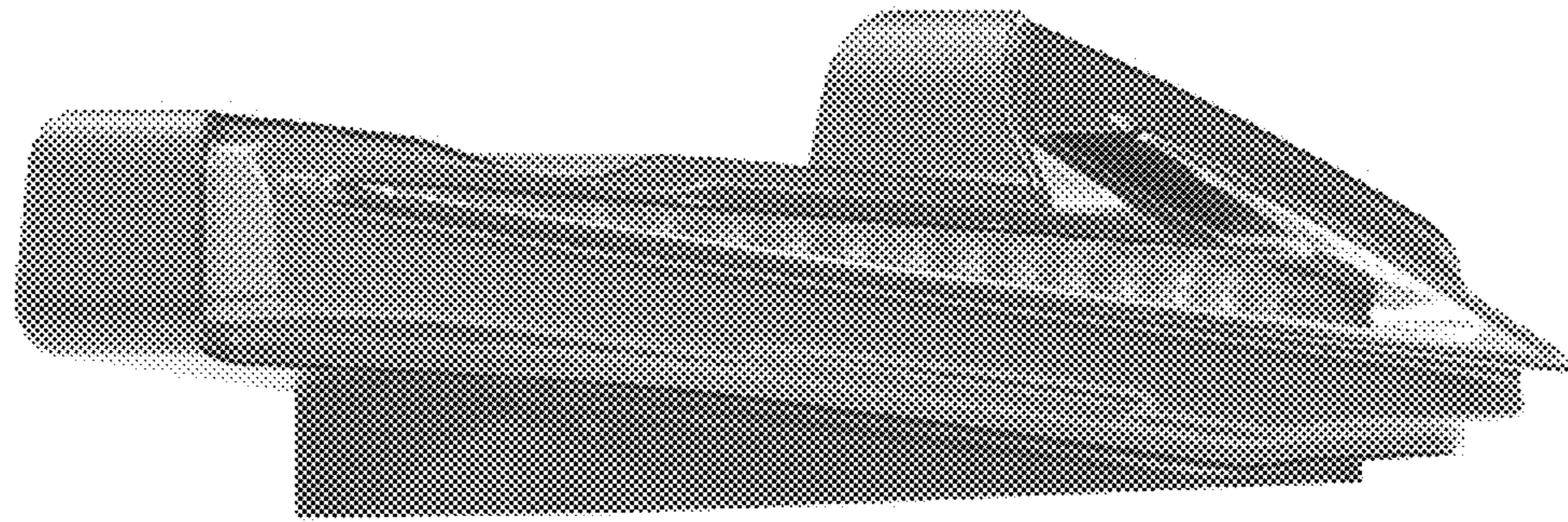




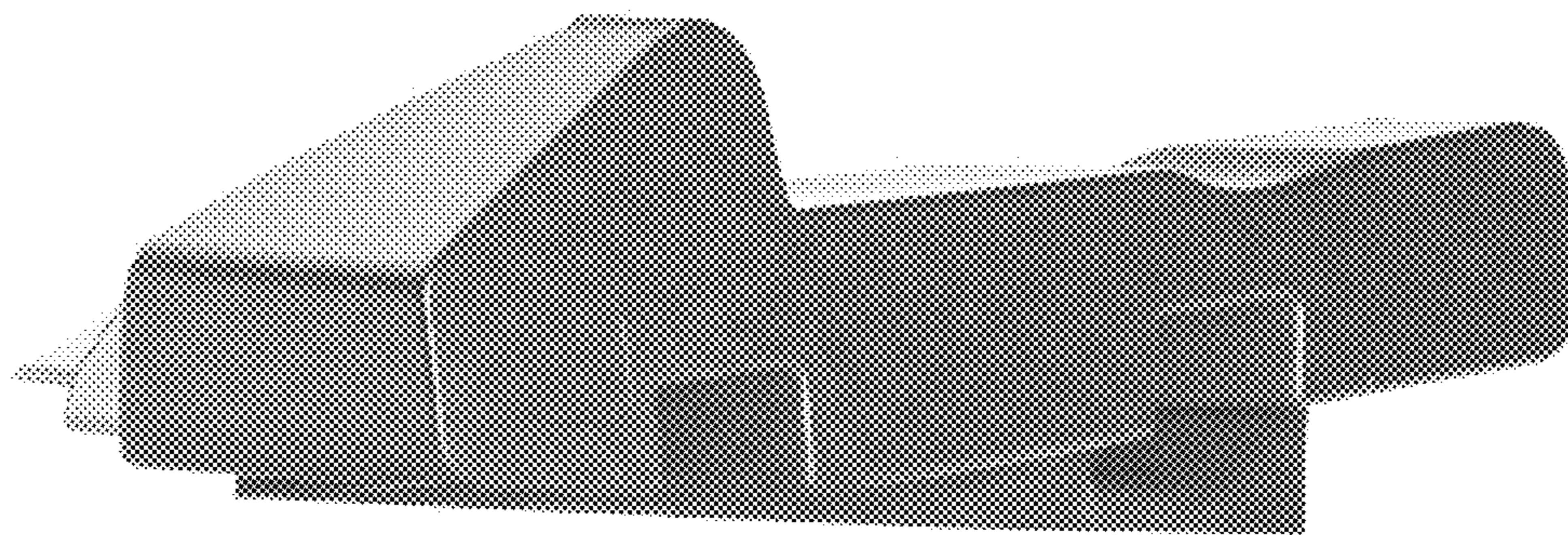
**FIG. 2**



**FIG. 3**



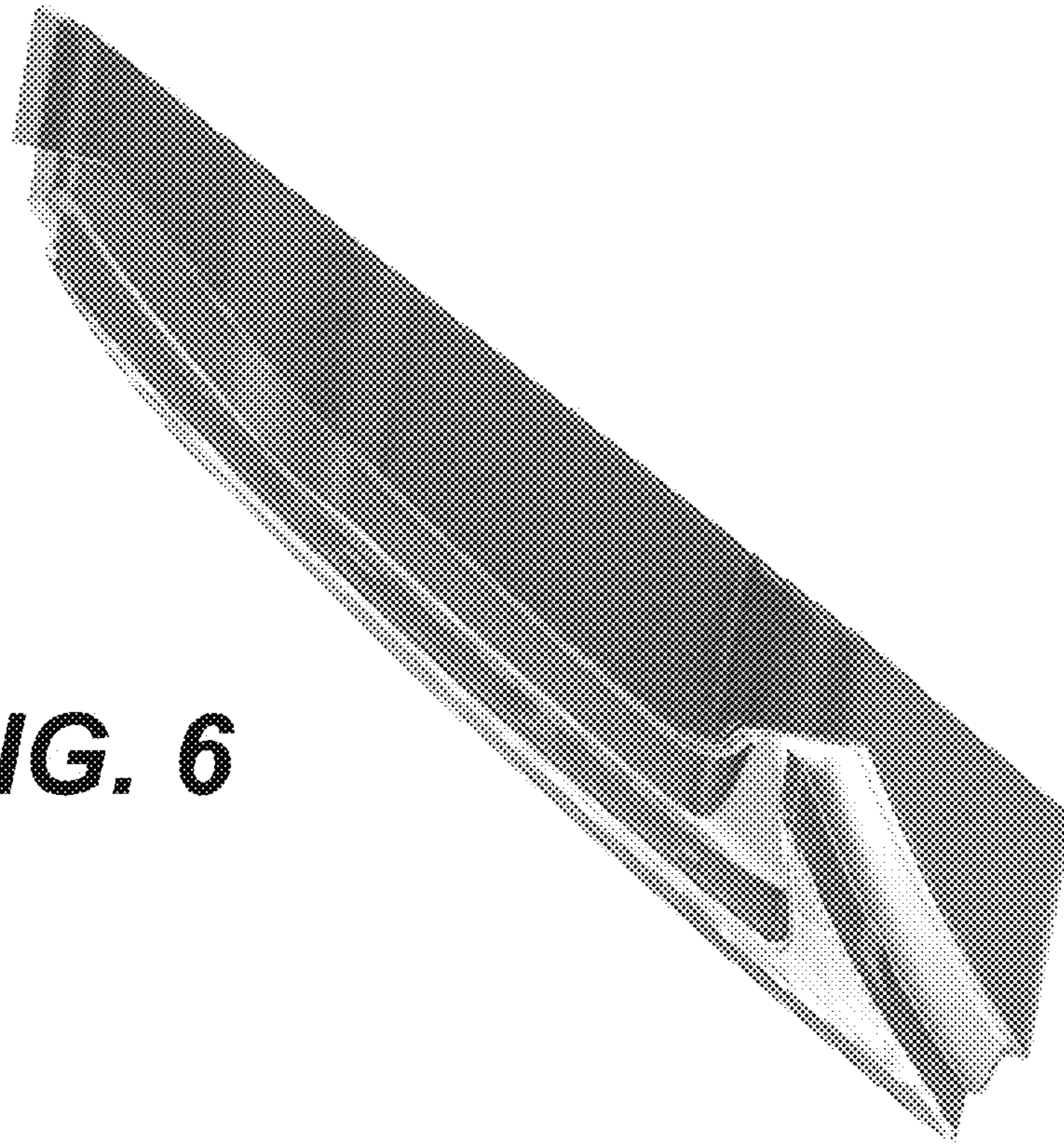
**FIG. 4**



**FIG. 5**



**FIG. 6**



**FIG. 7**

