



US00D701337S

(12) **United States Design Patent**
Iida et al.

(10) **Patent No.:** **US D701,337 S**
(45) **Date of Patent:** **** Mar. 18, 2014**

(54) **REAR COMBINATION LAMP FOR AN
AUTOMOBILE**

D574,524 S * 8/2008 Tomatsu D26/28
D605,793 S * 12/2009 Weil D26/28
D620,157 S * 7/2010 Frenzel et al. D26/28

(71) Applicants: **Hideaki Iida**, London (GB); **Hideaki Suzuki**, Nishio (JP)

OTHER PUBLICATIONS

(72) Inventors: **Hideaki Iida**, London (GB); **Hideaki Suzuki**, Nishio (JP)

Netcarshow.com; URL: http://www.netcarshaw.com/bmw/2012-3-series/800x600/wallpaper_dd.htm; Mfg.; BMW; Model: BMW 3-Series (2012); available on at least Jan. 26, 2012.

(73) Assignee: **Toyota Jidosha Kabushiki Kaisha**, Toyota-shi, Aichi-ken (JP)

Netcarshow.com; URL: http://www.netcarshaw.com/lexus/2013-gs_350/800x600/wallpaper_50.htm; Mfg.: Lexus; Model: Lexus GS 350 (2013); available on at least Jan. 26, 2012.

(**) Term: **14 Years**

* cited by examiner

(21) Appl. No.: **29/444,126**

Primary Examiner — Marcus Jackson

(22) Filed: **Jan. 25, 2013**

(74) *Attorney, Agent, or Firm* — Finnegan, Henderson, Farabow, Garrett & Dunner, LLP

(30) **Foreign Application Priority Data**

(57) **CLAIM**

Jul. 27, 2012 (JP) 2012-017844

The ornamental design for a rear combination lamp for an automobile, as shown and described.

(51) **LOC (10) Cl.** **26-06**

DESCRIPTION

(52) **U.S. Cl.**
USPC **D26/28**

The present application claims priority to Japanese Design Registration Application No. JPD2012-017844, filed Jul. 27, 2012.

(58) **Field of Classification Search**
USPC D26/28-36; 362/459-468, 475-478,
362/485-487

FIG. 1 is a perspective view of a rear combination lamp for an automobile showing our new design;

See application file for complete search history.

FIG. 2 is a front view thereof;

FIG. 3 is a rear view thereof;

(56) **References Cited**

U.S. PATENT DOCUMENTS

D541,445 S * 4/2007 Lin D26/28
D550,380 S * 9/2007 Lin D26/28
D560,292 S * 1/2008 Sato D26/28
D565,211 S * 3/2008 Haller et al. D26/28
D570,015 S * 5/2008 Hsu D26/28

FIG. 4 is a left side elevation view thereof;

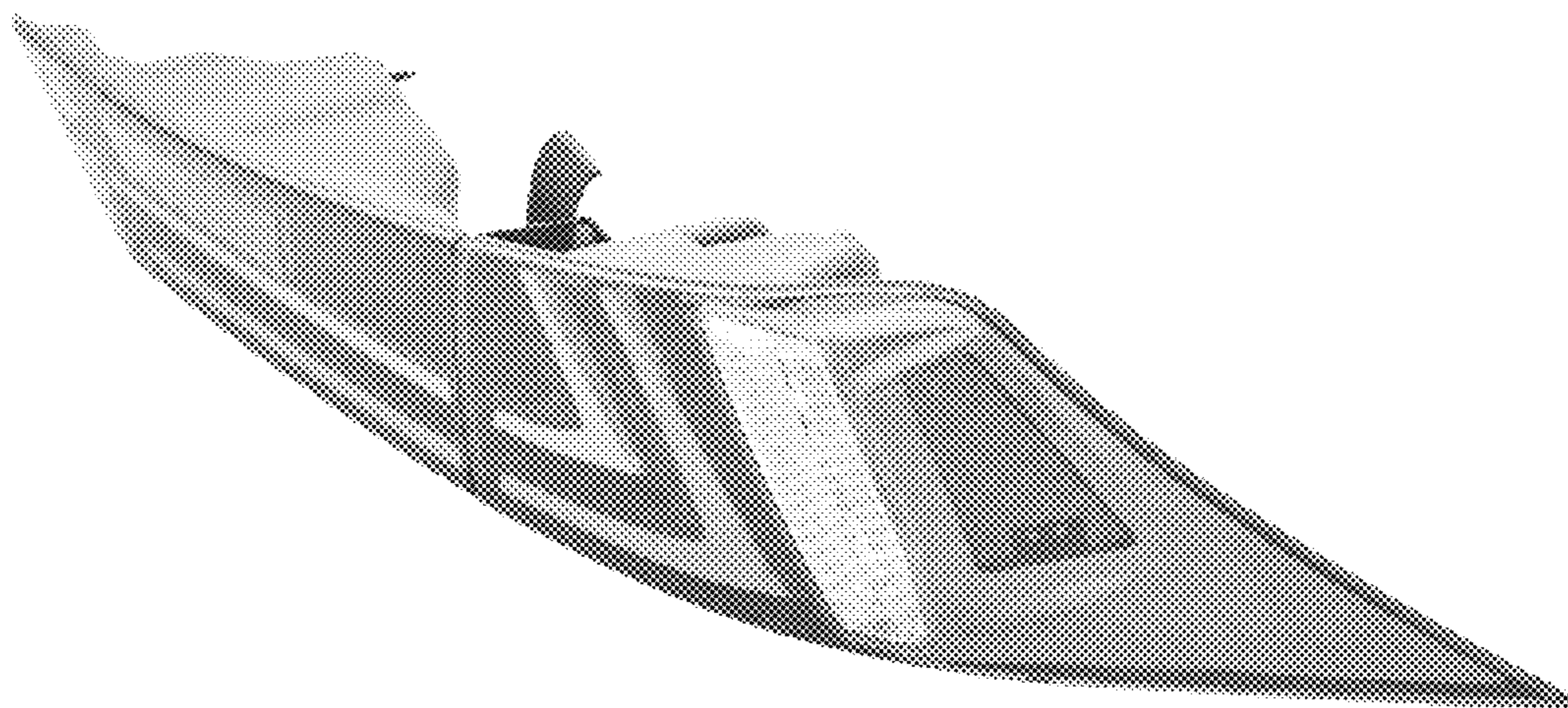
FIG. 5 is a right side elevation view thereof;

FIG. 6 is a top plan view thereof; and,

FIG. 7 is a bottom view thereof.

Our design includes a mirror image of the embodiment depicted.

1 Claim, 4 Drawing Sheets



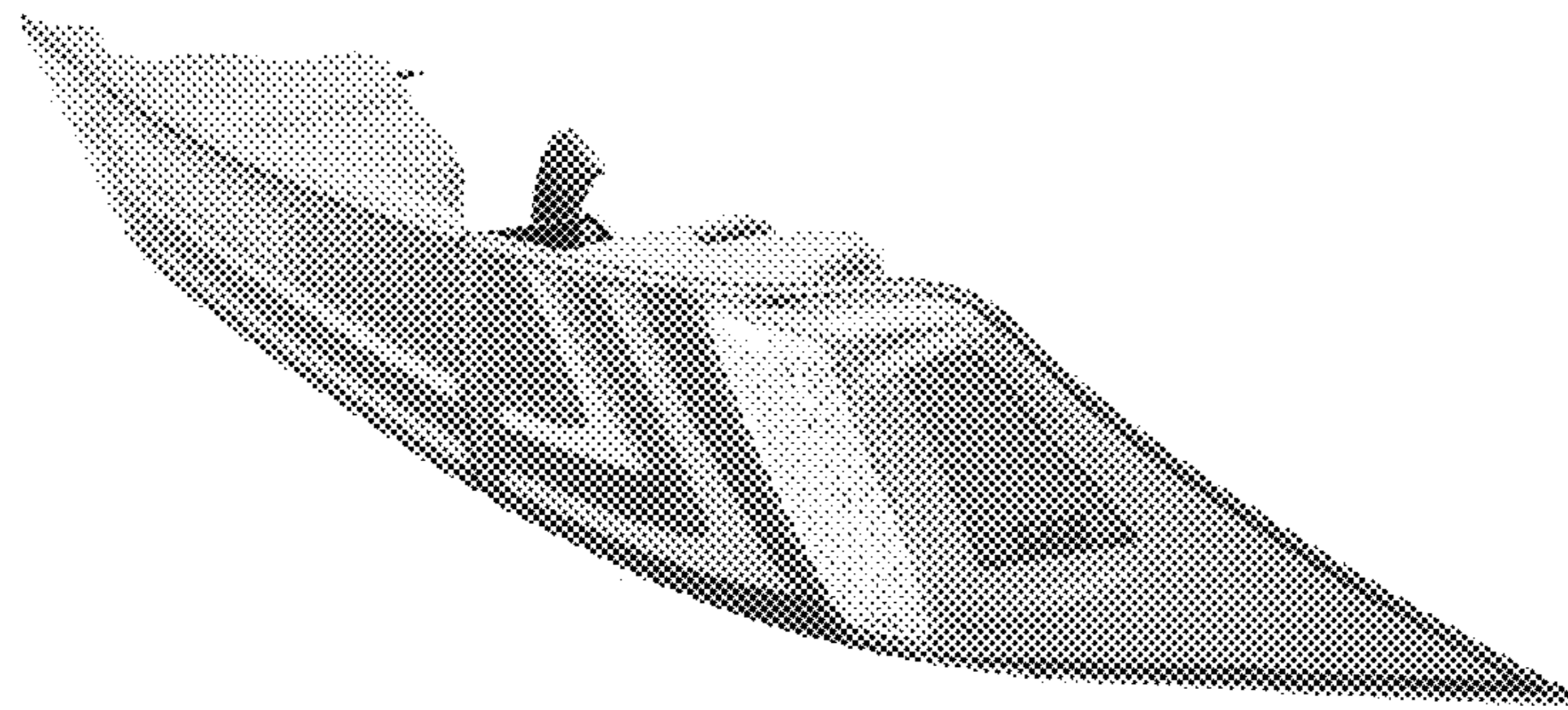


FIG. 1

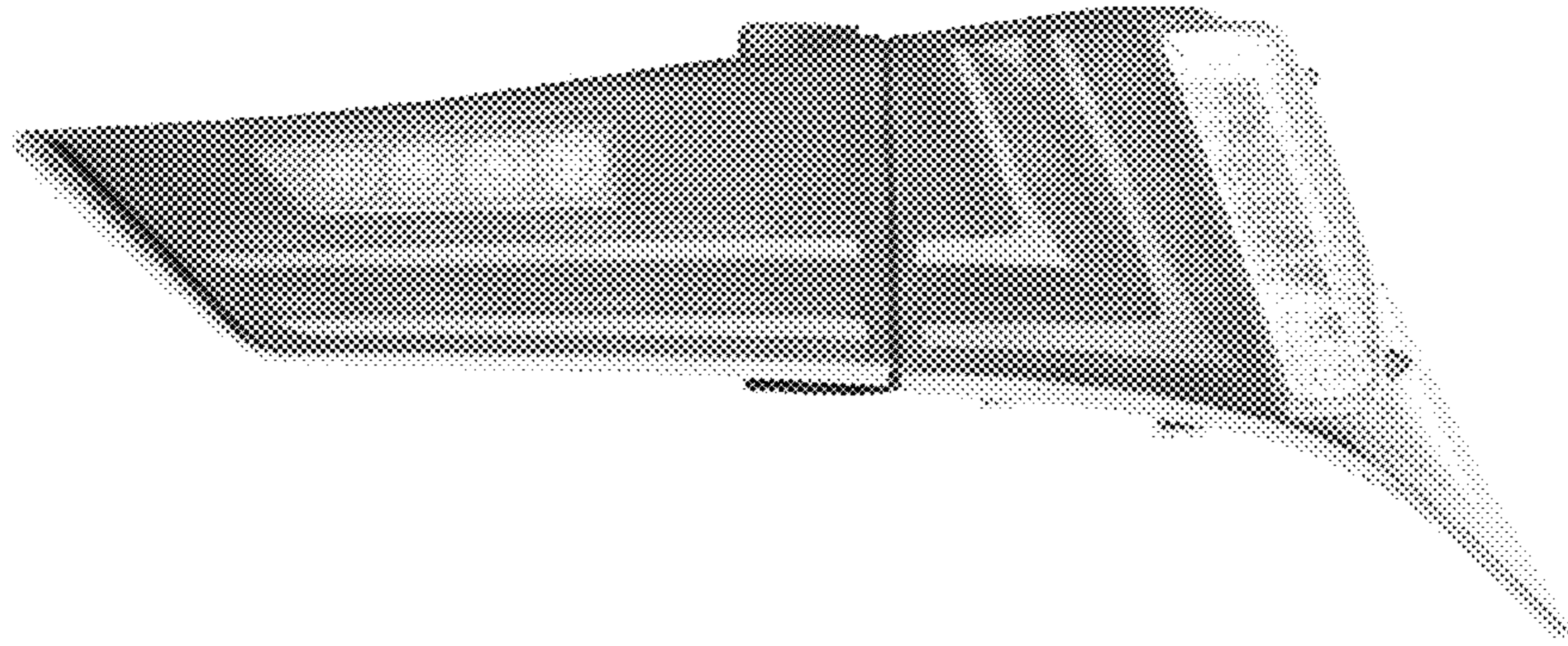


FIG. 2

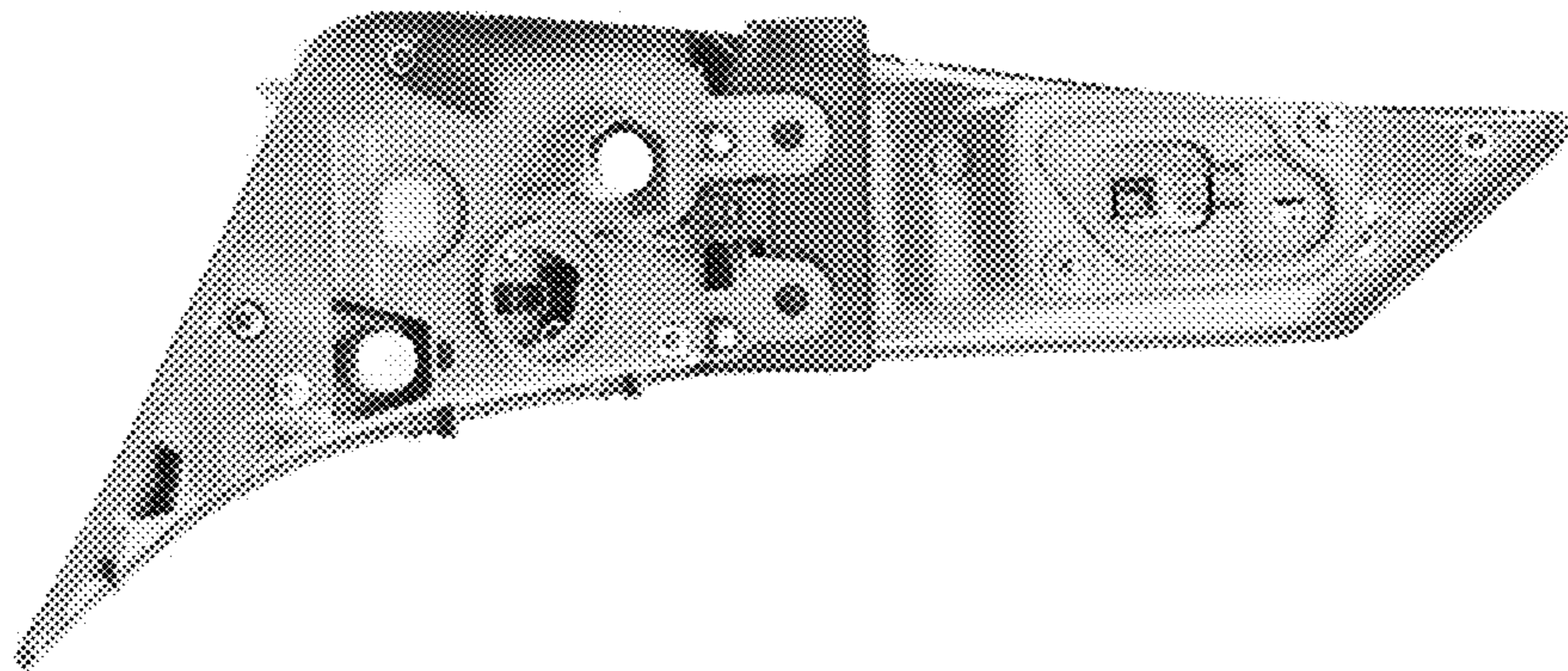


FIG. 3

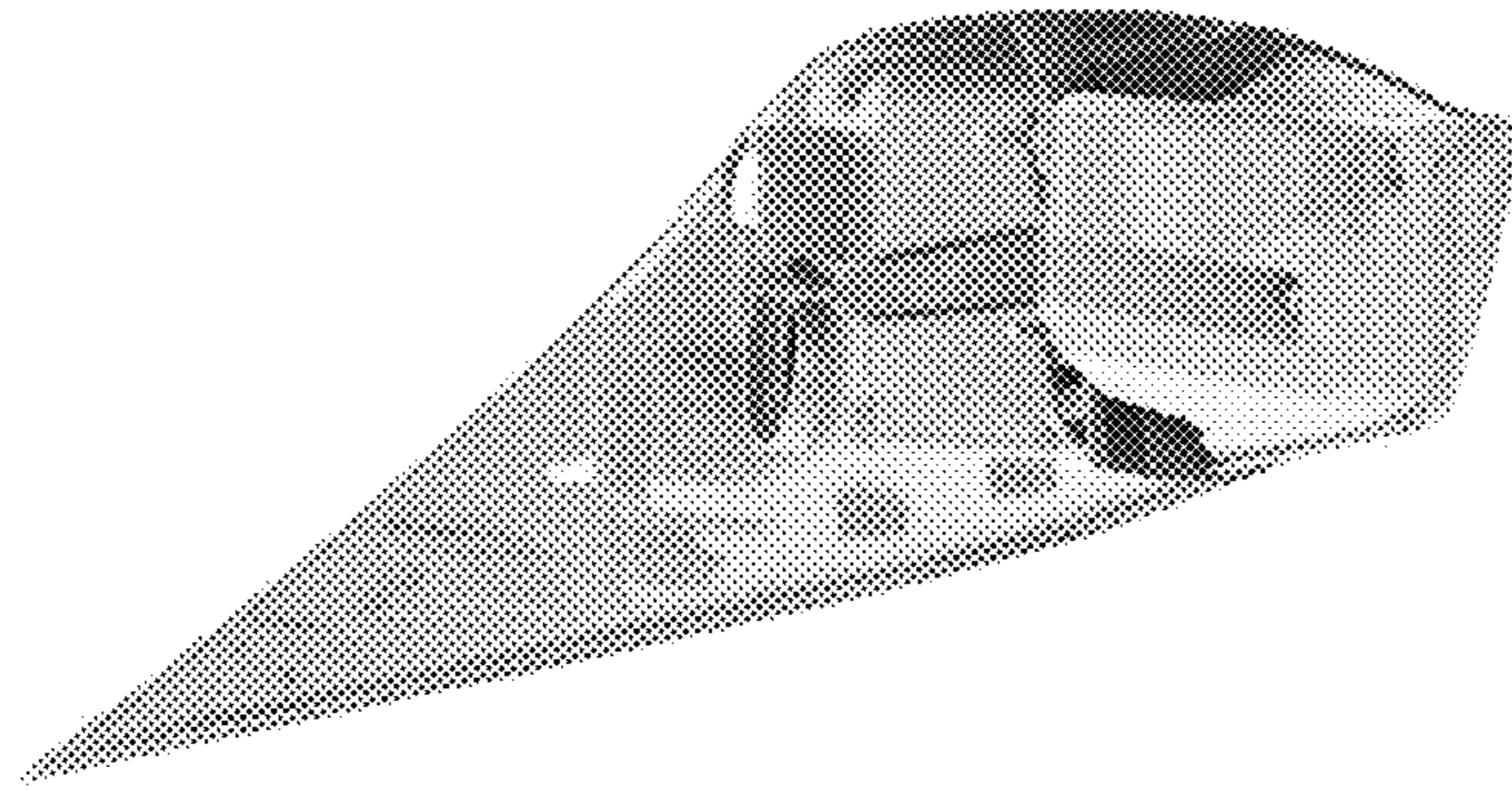


FIG. 4

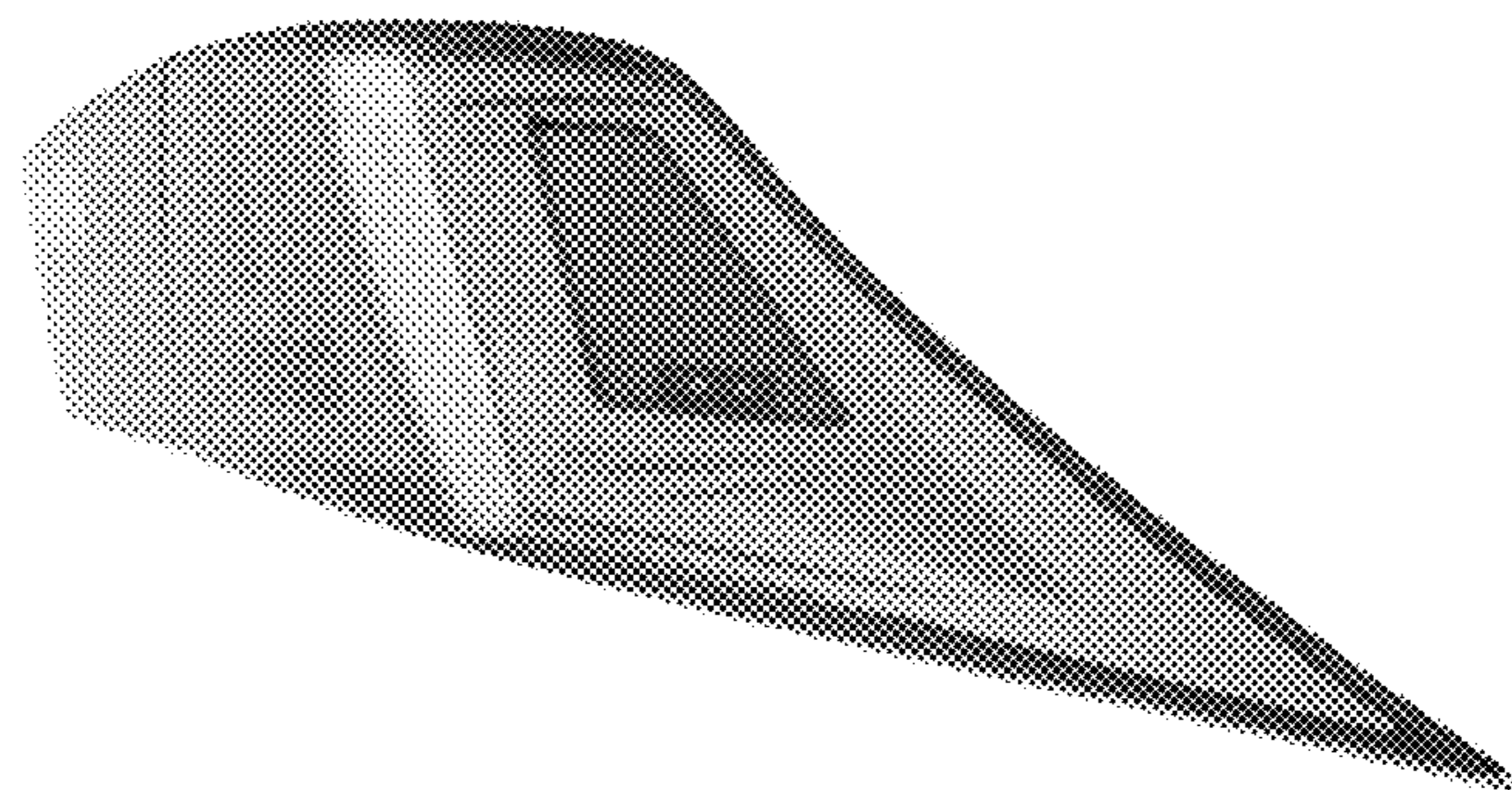


FIG. 5

FIG. 6

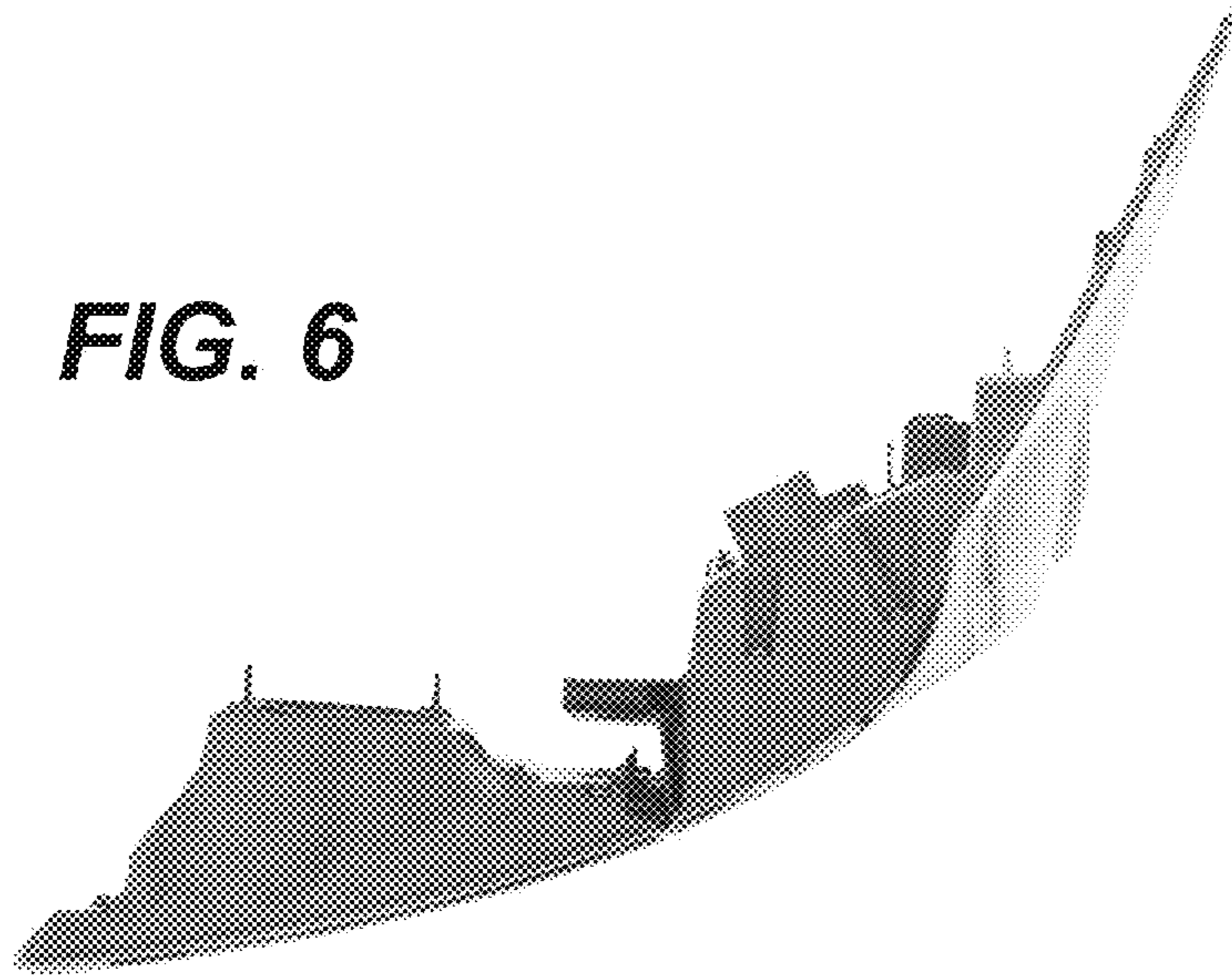


FIG. 7

