



US00D701335S

(12) **United States Design Patent**  
**Jeong et al.**

(10) **Patent No.:** **US D701,335 S**

(45) **Date of Patent:** **\*\* Mar. 18, 2014**

(54) **HEAD LAMP FOR AN AUTOMOBILE**

(71) Applicant: **Kia Motors Corporation**, Seoul (KR)

(72) Inventors: **Byeong Ho Jeong**, Gyeonggi-Do (KR);  
**Han Yong Kim**, Gyeonggi-Do (KR); **Ji Hoon Baek**, Gyeonggi-Do (KR)

(73) Assignee: **Kia Motors Corporation**, Seoul (KR)

(\*\*) Term: **14 Years**

(21) Appl. No.: **29/442,367**

(22) Filed: **Feb. 12, 2013**

(30) **Foreign Application Priority Data**

Sep. 17, 2012 (KR) ..... 30-2012-0044638

(51) **LOC (10) Cl.** ..... **26-06**

(52) **U.S. Cl.**  
USPC ..... **D26/28**

(58) **Field of Classification Search**  
USPC ..... D26/28-36; 362/459-468, 475-478,  
362/485-487

See application file for complete search history.

(56) **References Cited**

**U.S. PATENT DOCUMENTS**

D538,956 S \* 3/2007 Ishii ..... D26/28  
D544,614 S \* 6/2007 Markefka ..... D26/28

D561,358 S \* 2/2008 Tachibana ..... D26/28  
D570,007 S \* 5/2008 Hsu ..... D26/28  
D582,587 S \* 12/2008 Yang ..... D26/28  
D593,232 S \* 5/2009 Koman et al. .... D26/28  
D635,694 S \* 4/2011 Yang et al. .... D26/28

\* cited by examiner

*Primary Examiner* — Marcus Jackson

(74) *Attorney, Agent, or Firm* — Edwards Wildman Palmer LLP

(57) **CLAIM**

The ornamental design for a head lamp for an automobile, as shown and described.

**DESCRIPTION**

FIG. 1 is a perspective view of a head lamp for an automobile according to the present invention.

FIG. 2 is a front view of the head lamp for an automobile of FIG. 1.

FIG. 3 is a rear view of the head lamp for an automobile of FIG. 1.

FIG. 4 is a left side view of the head lamp for an automobile of FIG. 1.

FIG. 5 is a right side view of the head lamp for an automobile of FIG. 1.

FIG. 6 is a top view of the head lamp for an automobile of FIG. 1; and,

FIG. 7 is a bottom view of the head lamp for an automobile of FIG. 1.

**1 Claim, 7 Drawing Sheets**

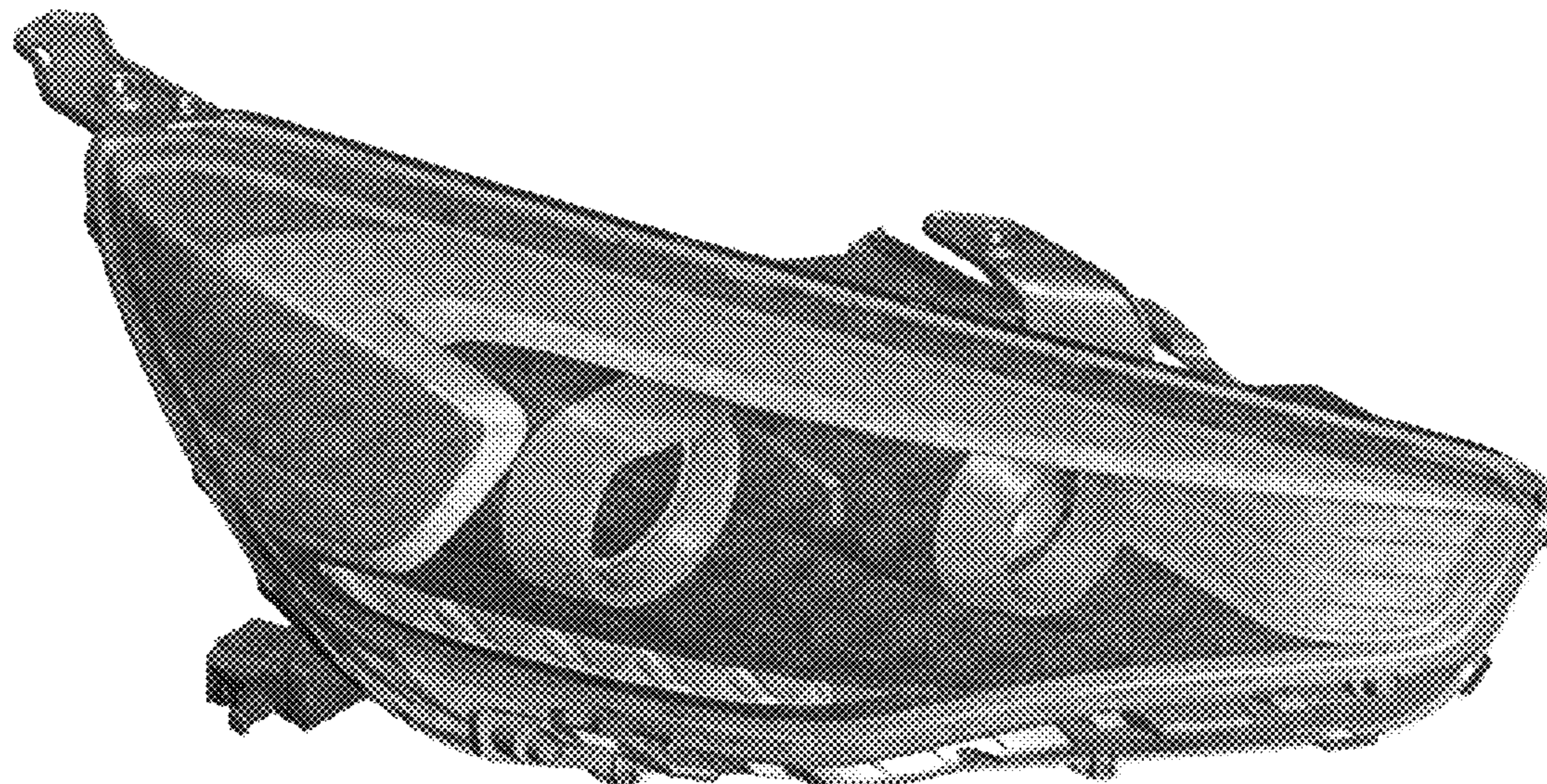


FIG. 1

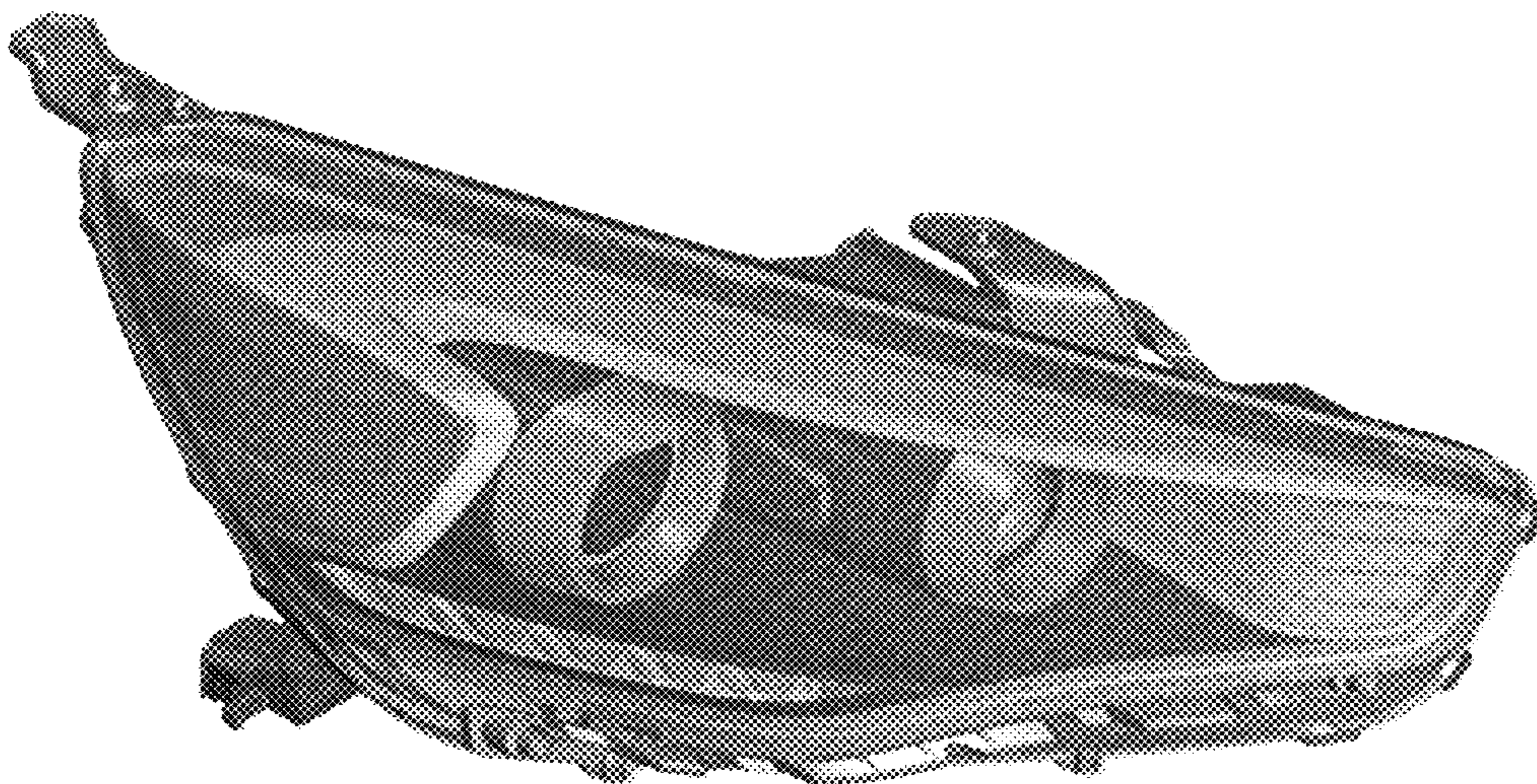


FIG. 2

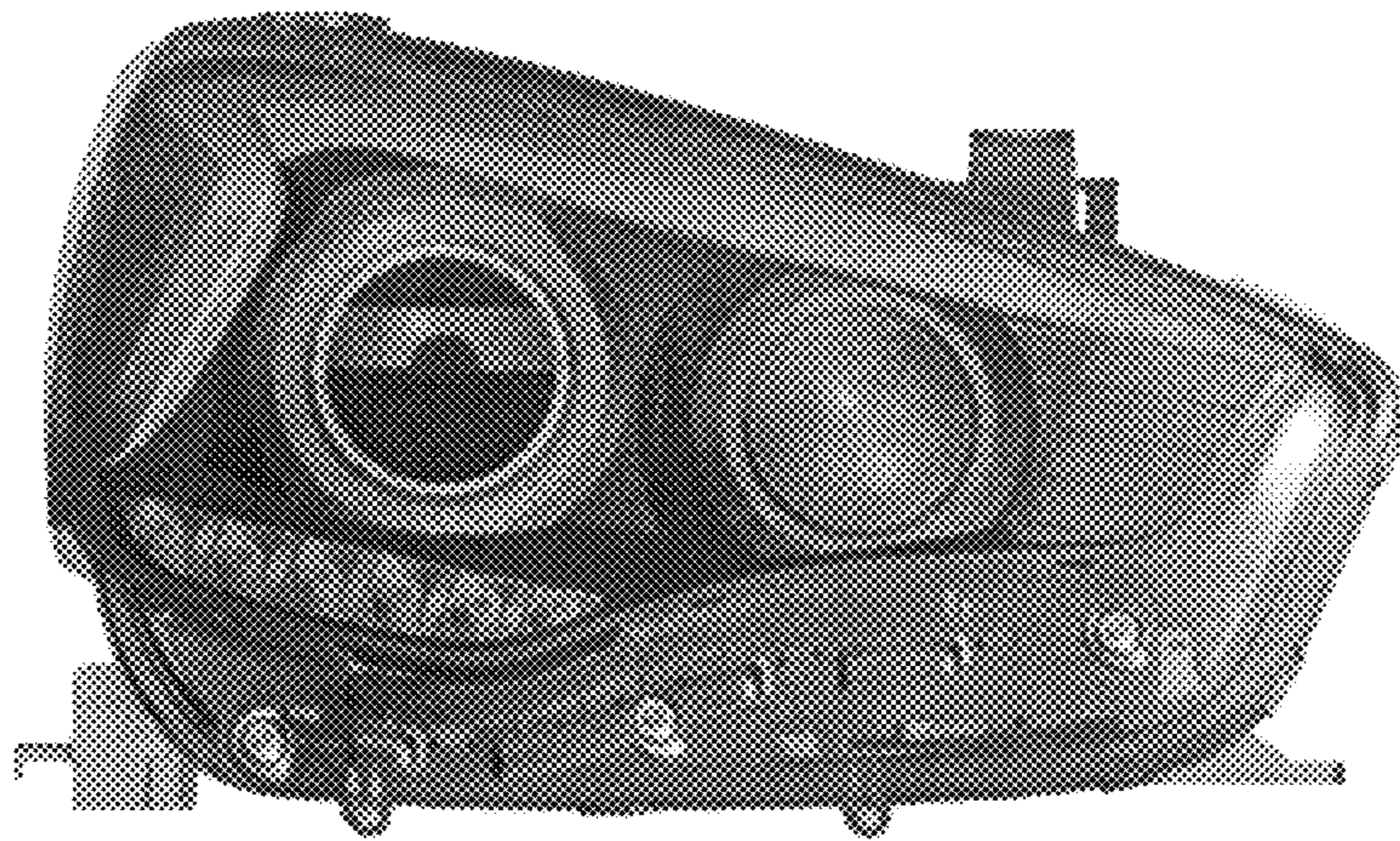


FIG. 3

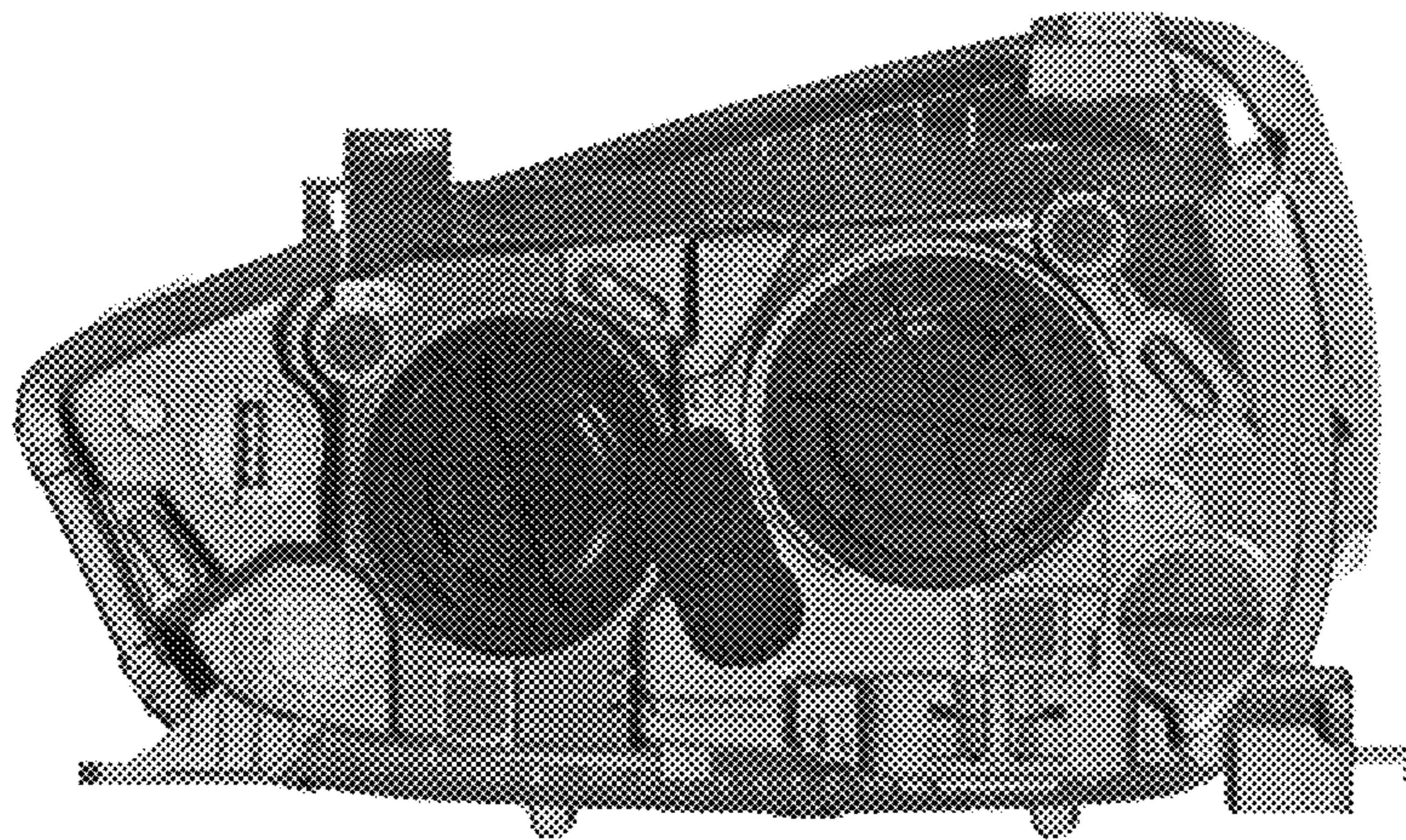


FIG. 4

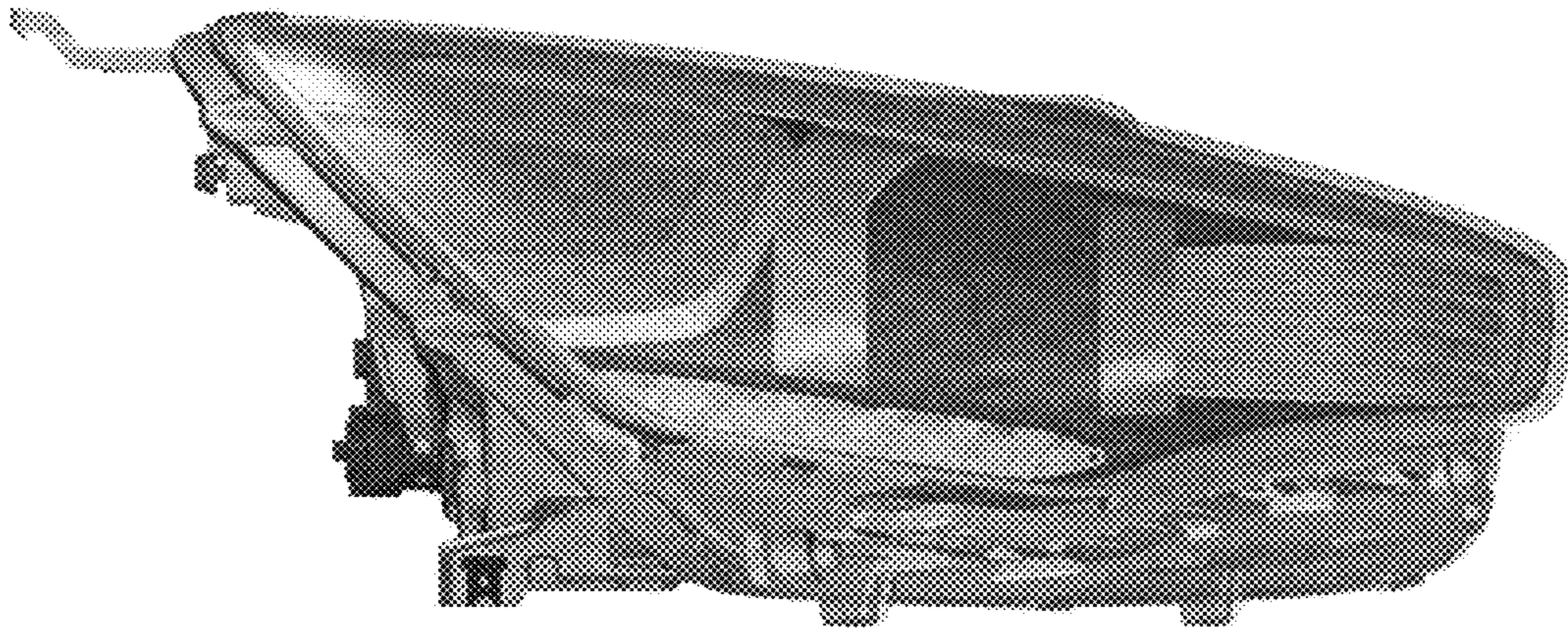


FIG. 5

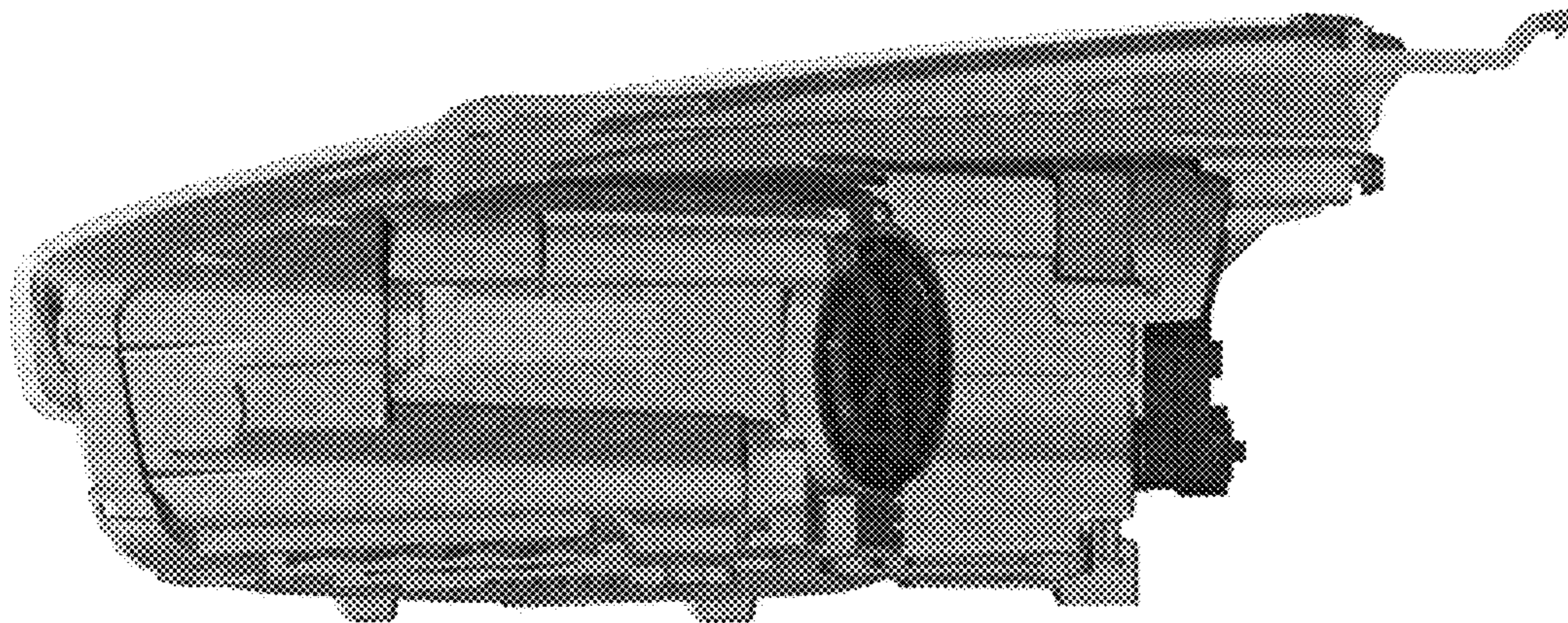


FIG. 6

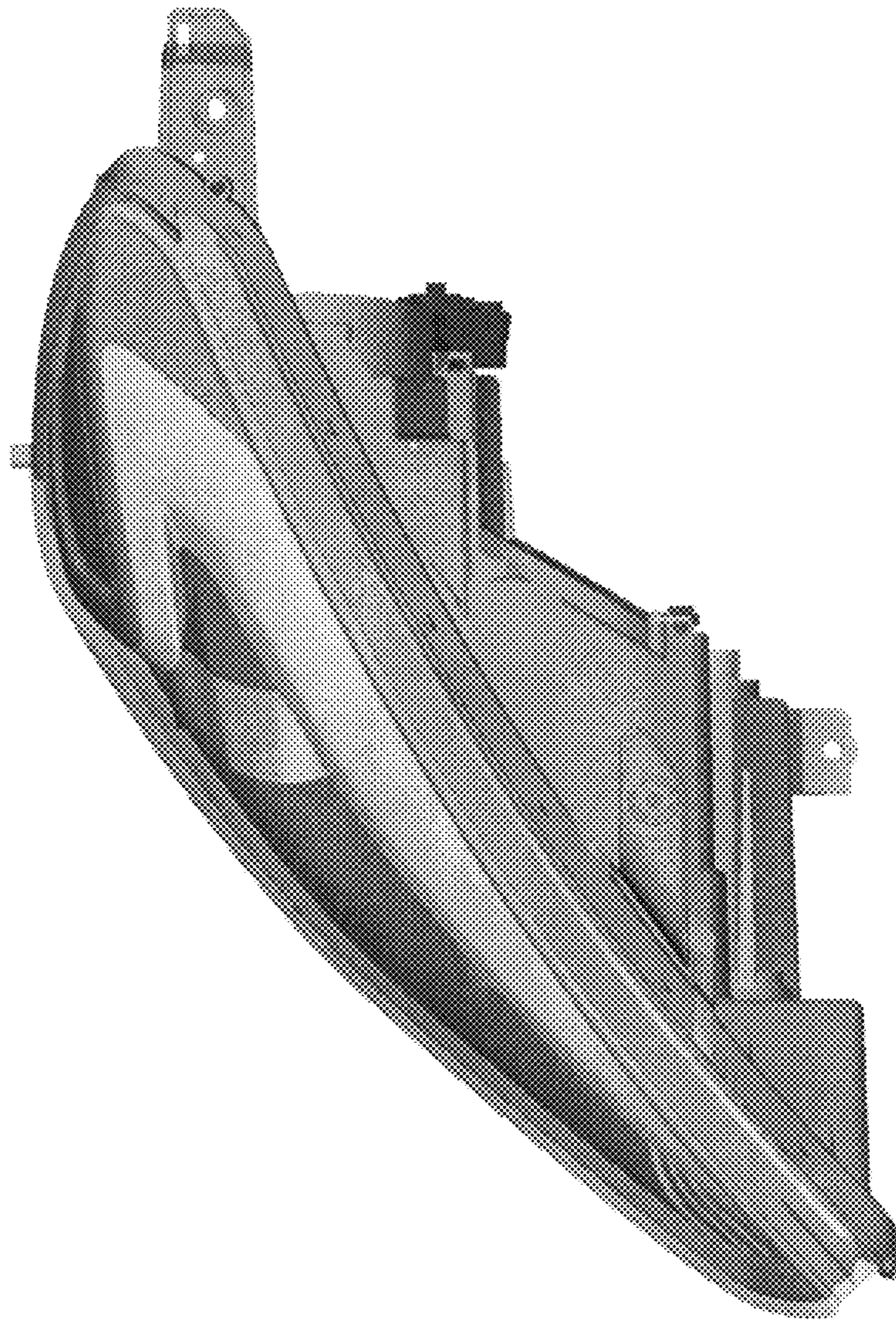


FIG. 7

