



US00D701332S

(12) **United States Design Patent**  
**Yoshinobu**

(10) **Patent No.:** **US D701,332 S**  
(45) **Date of Patent:** **\*\* Mar. 18, 2014**

(54) **LIGHT EMITTING DIODE LAMP**

(56)

**References Cited**

(71) Applicant: **Toshiba Lighting & Technology Corporation**, Kanagawa (JP)

(72) Inventor: **Masayuki Yoshinobu**, Yokosuka (JP)

(73) Assignee: **Toshiba Lighting & Technology Corporation**, Kanagawa (JP)

(\*\*) Term: **14 Years**

(21) Appl. No.: **29/452,009**

(22) Filed: **Apr. 11, 2013**

(30) **Foreign Application Priority Data**

Oct. 16, 2012 (JP) ..... 2012-025014

(51) **LOC (10) Cl.** ..... **26-04**

(52) **U.S. Cl.**  
USPC ..... **D26/2**

(58) **Field of Classification Search**  
USPC ..... D26/1-4; 313/313, 315, 316, 317, 318,  
313/493; 315/52, 53, 56, 57, 58

See application file for complete search history.

U.S. PATENT DOCUMENTS

D535,038 S *	1/2007	Egawa et al. ....	D26/2
D582,578 S *	12/2008	Tsai et al. ....	D26/2
D584,838 S *	1/2009	To et al. ....	D26/2
D594,995 S *	6/2009	Komar ....	D26/2
D601,722 S *	10/2009	Foo ....	D26/2
D631,989 S *	2/2011	Bobel ....	D26/2
D635,280 S *	3/2011	Chao ....	D26/2
D640,805 S *	6/2011	Li et al. ....	D26/2
D645,580 S *	9/2011	Yoshinobu ....	D26/2
D657,075 S *	4/2012	Guohui ....	D26/2
D673,308 S *	12/2012	Tsai ....	D26/2

\* cited by examiner

*Primary Examiner* — Marcus Jackson

(74) *Attorney, Agent, or Firm* — Jianq Chyun IP Office

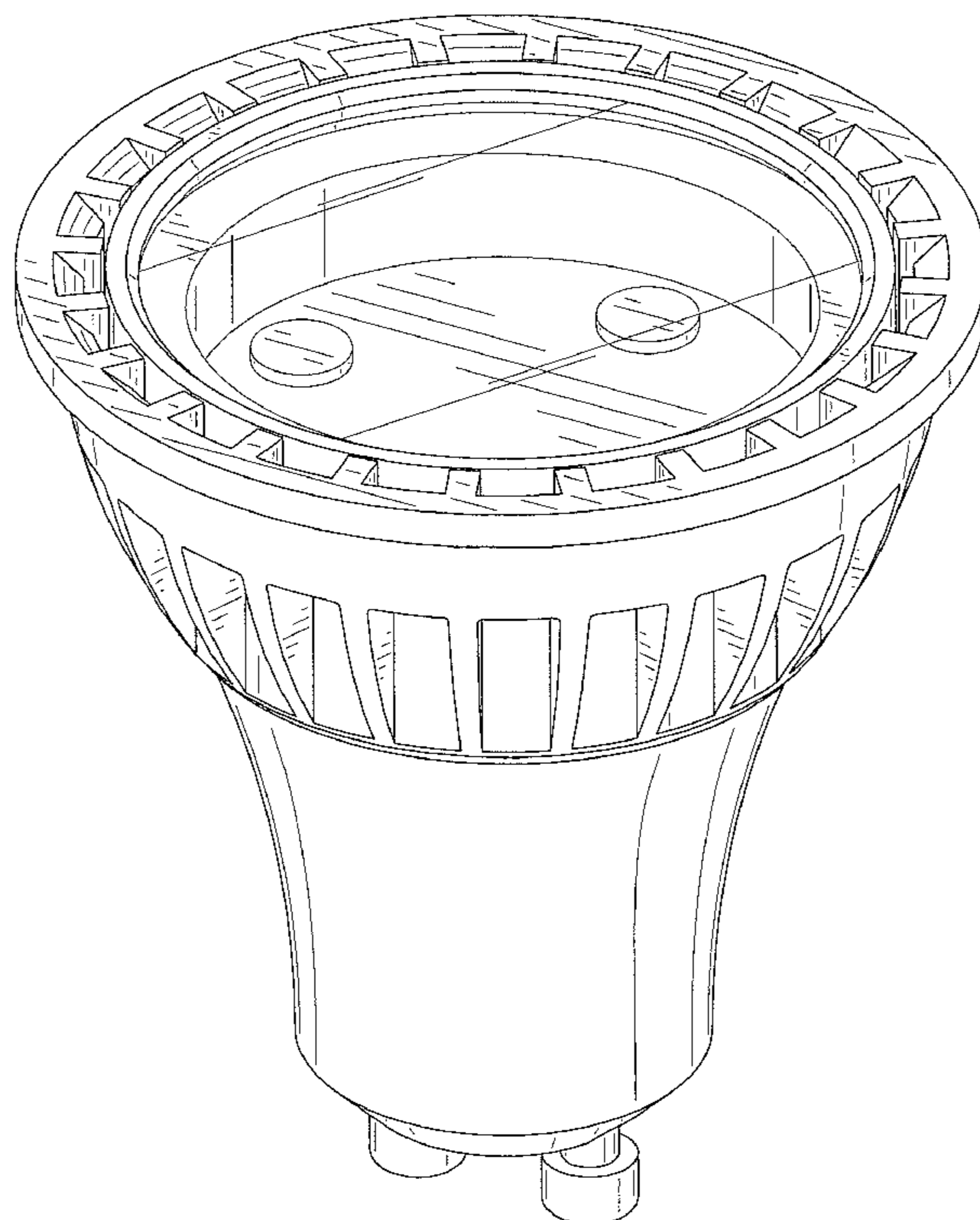
(57) **CLAIM**

The ornamental design for a light emitting diode lamp, as shown and described.

**DESCRIPTION**

FIG. 1 is a perspective view of a light emitting diode lamp showing my new design;  
FIG. 2 is a front view thereof, the rear view being identical to the front view;  
FIG. 3 is a right side view thereof, the left side view being identical to the right side view;  
FIG. 4 is a top view thereof; and,  
FIG. 5 is a bottom view thereof.

**1 Claim, 5 Drawing Sheets**



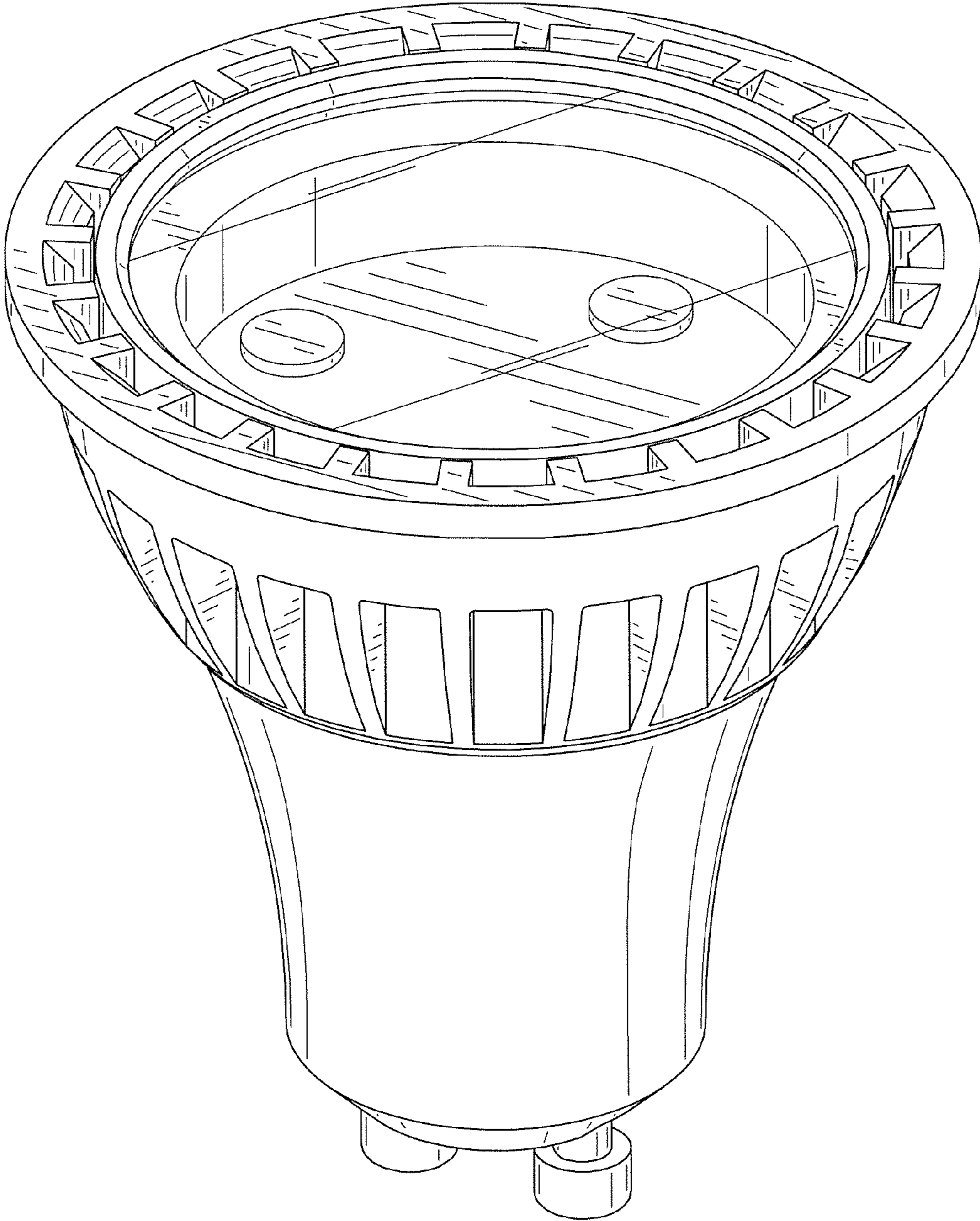


FIG. 1

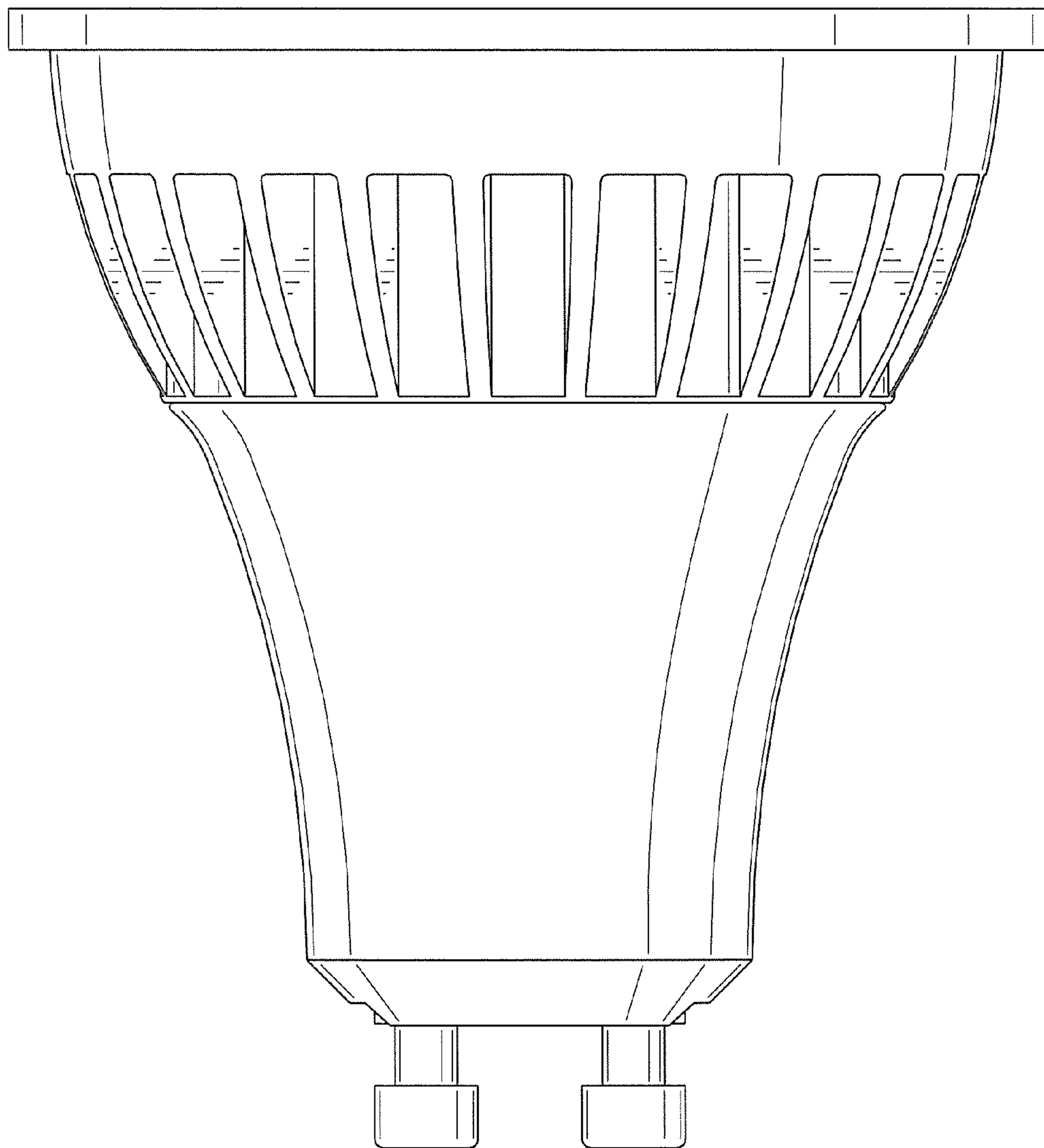


FIG. 2

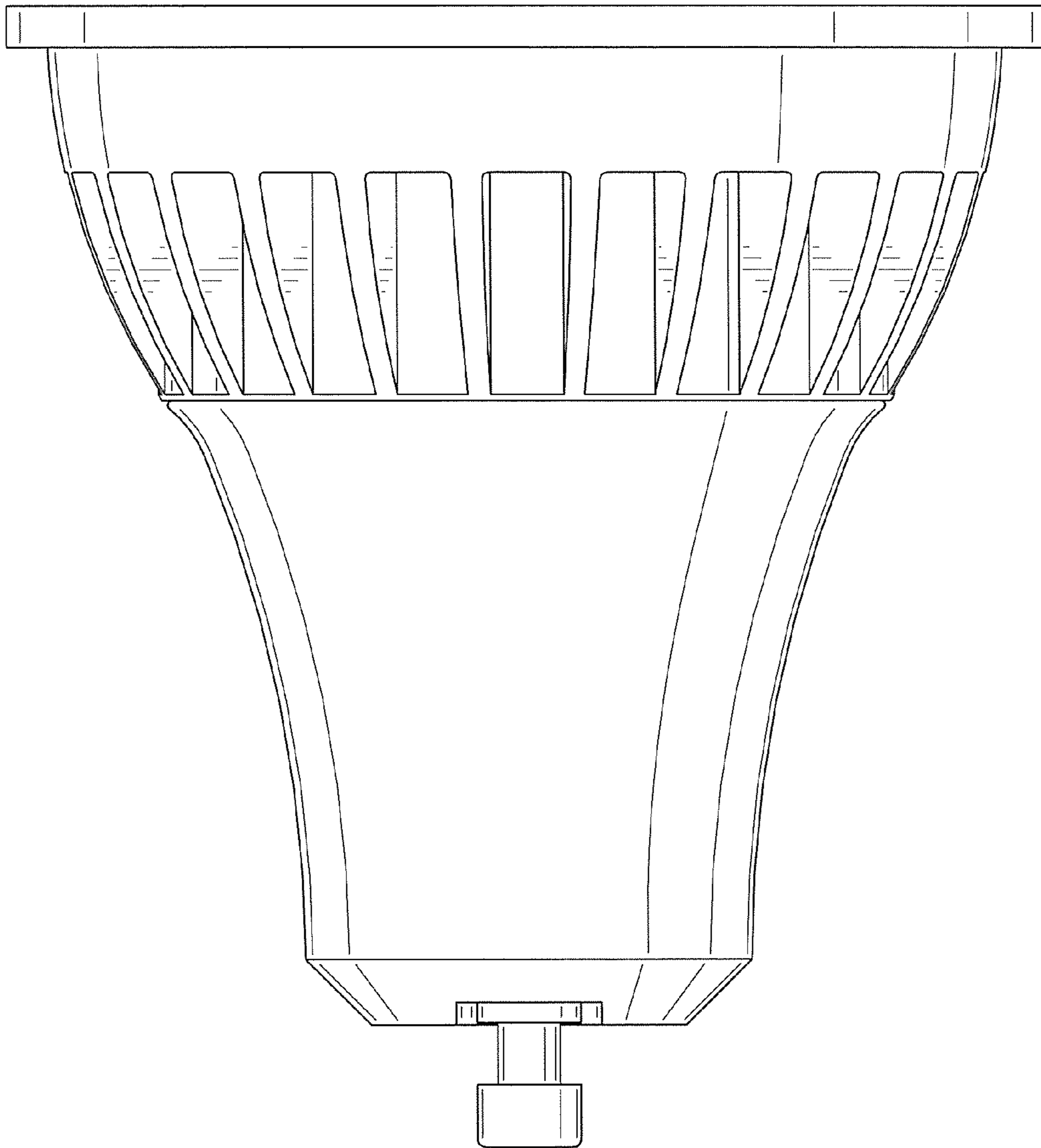


FIG. 3

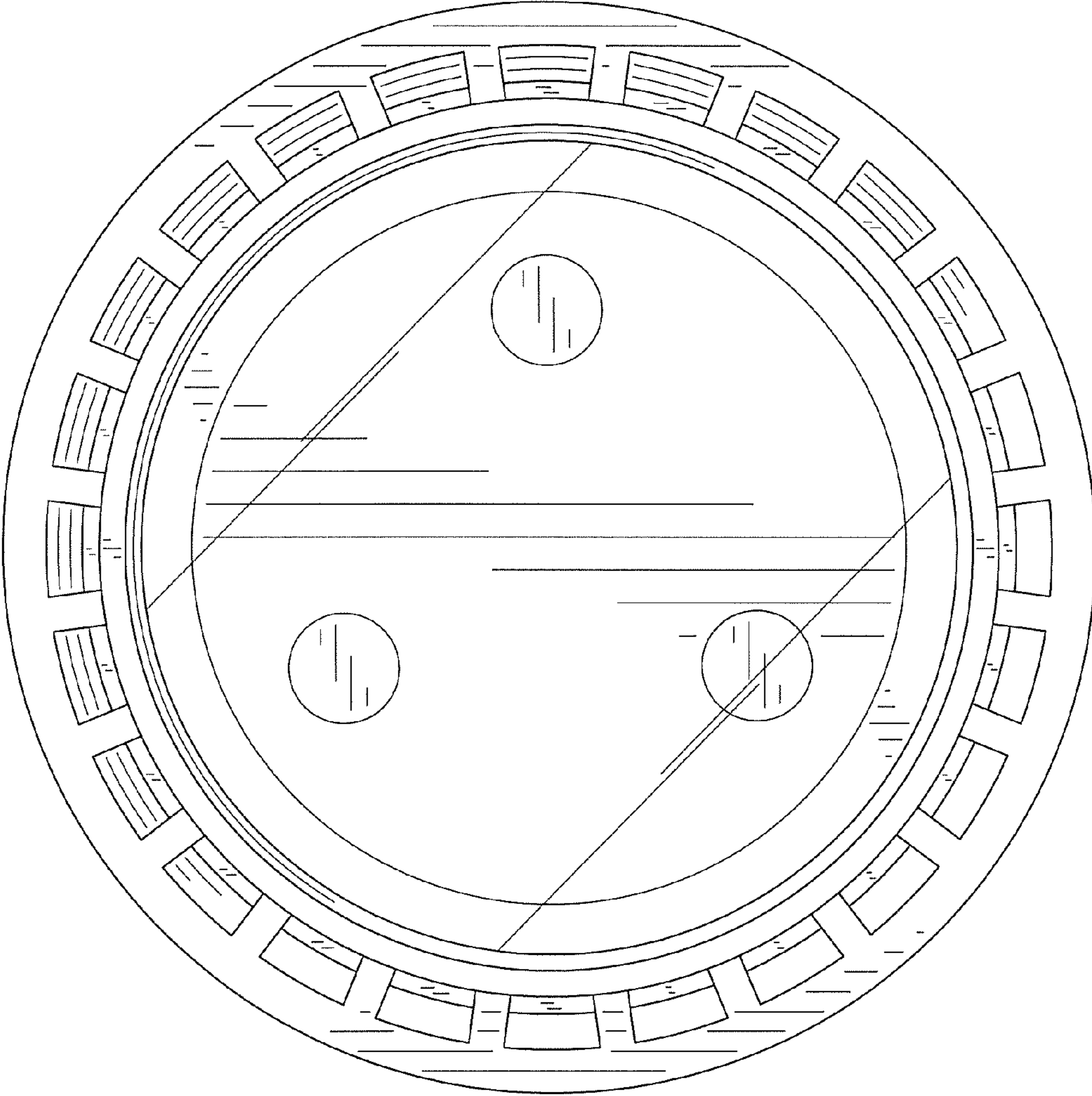


FIG. 4

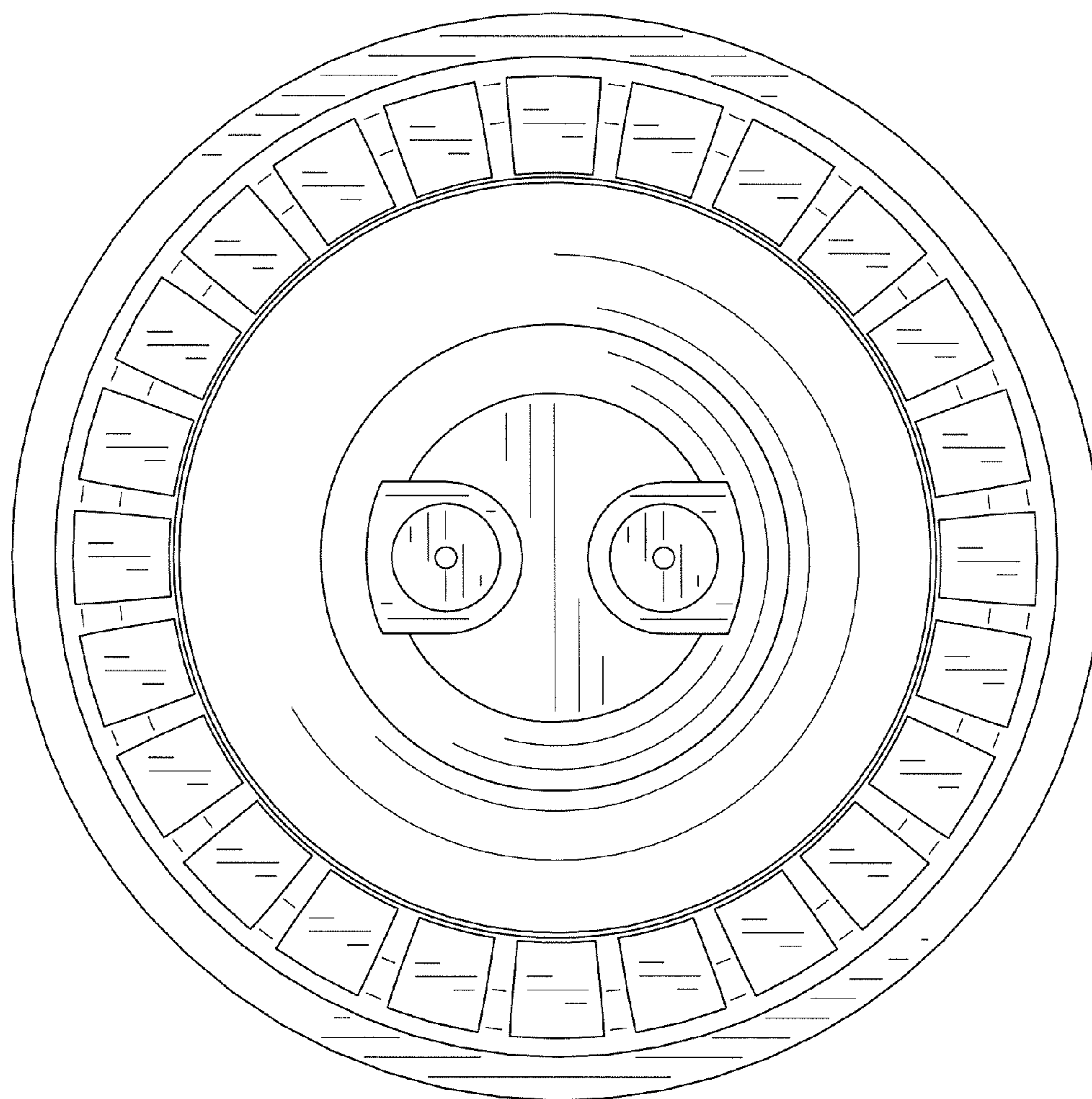


FIG. 5