



US00D701329S

(12) **United States Design Patent**
Tiner et al.

(10) **Patent No.:** **US D701,329 S**
(45) **Date of Patent:** **** Mar. 18, 2014**

(54) **SUBSTRATE SUPPORT**

2007/0029642 A1* 2/2007 Inagawa et al. 257/625

(75) Inventors: **Robin L. Tiner**, Santa Cruz, CA (US);
Shinichi Kurita, San Jose, CA (US)

* cited by examiner

(73) Assignee: **Applied Materials, Inc.**, Santa Clara,
CA (US)

Primary Examiner — T. Chase Nelson

Assistant Examiner — Ania Aman

(74) *Attorney, Agent, or Firm* — Patterson & Sheridan, LLP

(**) Term: **14 Years**

(57) **CLAIM**

An ornamental design for a substrate support, as shown.

(21) Appl. No.: **29/413,676**

DESCRIPTION

(22) Filed: **Feb. 17, 2012**

FIG. 1 is a top perspective view of a substrate support.

FIG. 2 is a bottom perspective view of the substrate support.

FIG. 3 is a top plan view of the substrate support.

FIG. 4 is a bottom view of the substrate support.

FIG. 5 is a front view of the substrate support, the back view
the mirror image thereof.

FIG. 6 is a side view of the substrate support, the other side
view the mirror image thereof.

FIG. 7 is a partial sectional view of the substrate support taken
along section line 7-7 of FIG. 3; and,

FIG. 8 is a partial sectional view of the substrate support taken
along section line 8-8 of FIG. 3.

The broken lines in the figures form no part of the claimed
design.

(51) **LOC (10) Cl.** **25-99**

(52) **U.S. Cl.**
USPC **D25/199; D13/199**

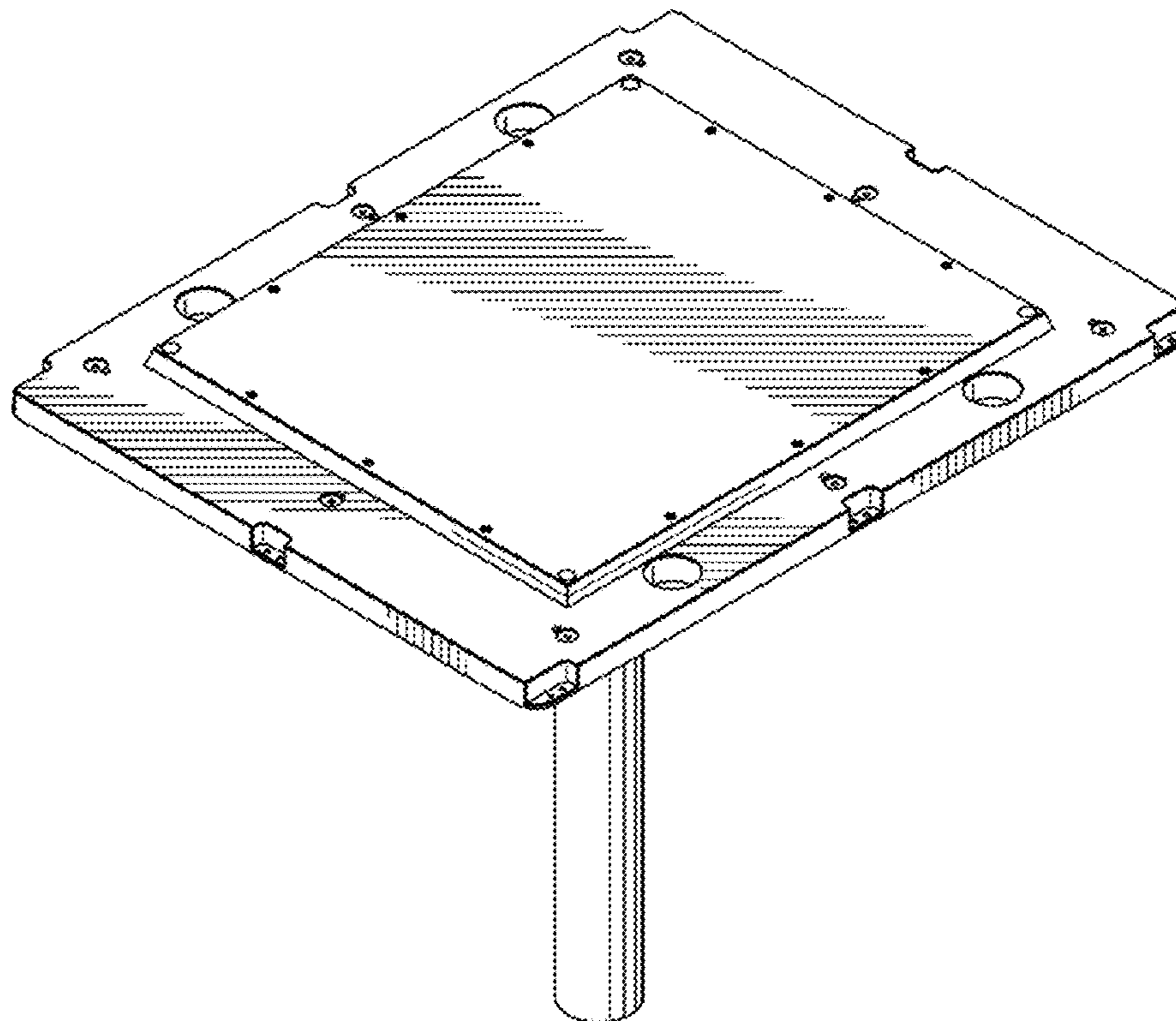
(58) **Field of Classification Search**
USPC D25/199; D23/199, 182; 438/6, 67,
438/107, 149; D13/199; 257/625
See application file for complete search history.

(56) **References Cited**

U.S. PATENT DOCUMENTS

5,844,205 A * 12/1998 White et al. 219/390
D675,172 S * 1/2013 Tiner D13/199

1 Claim, 8 Drawing Sheets



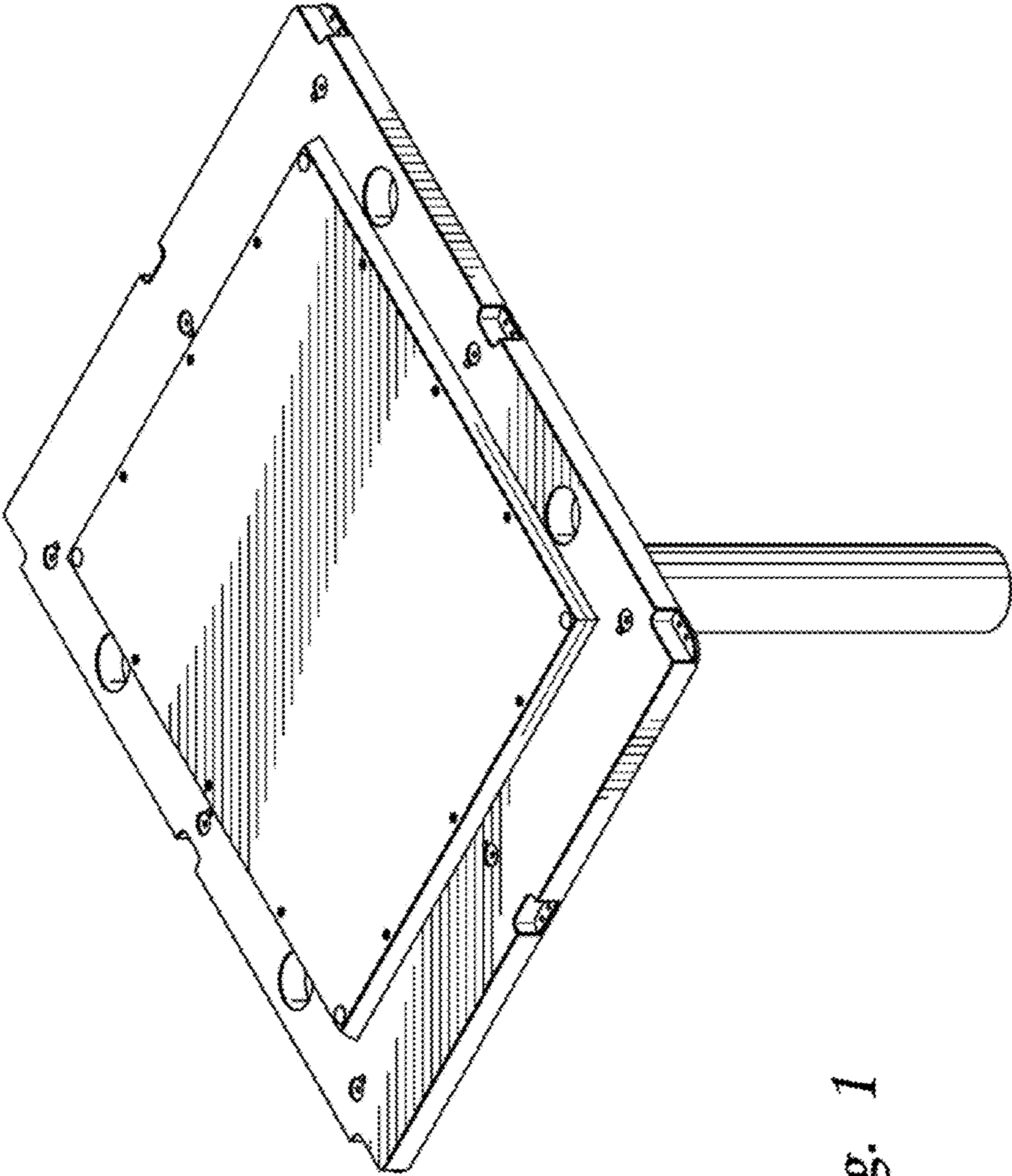


Fig. 1

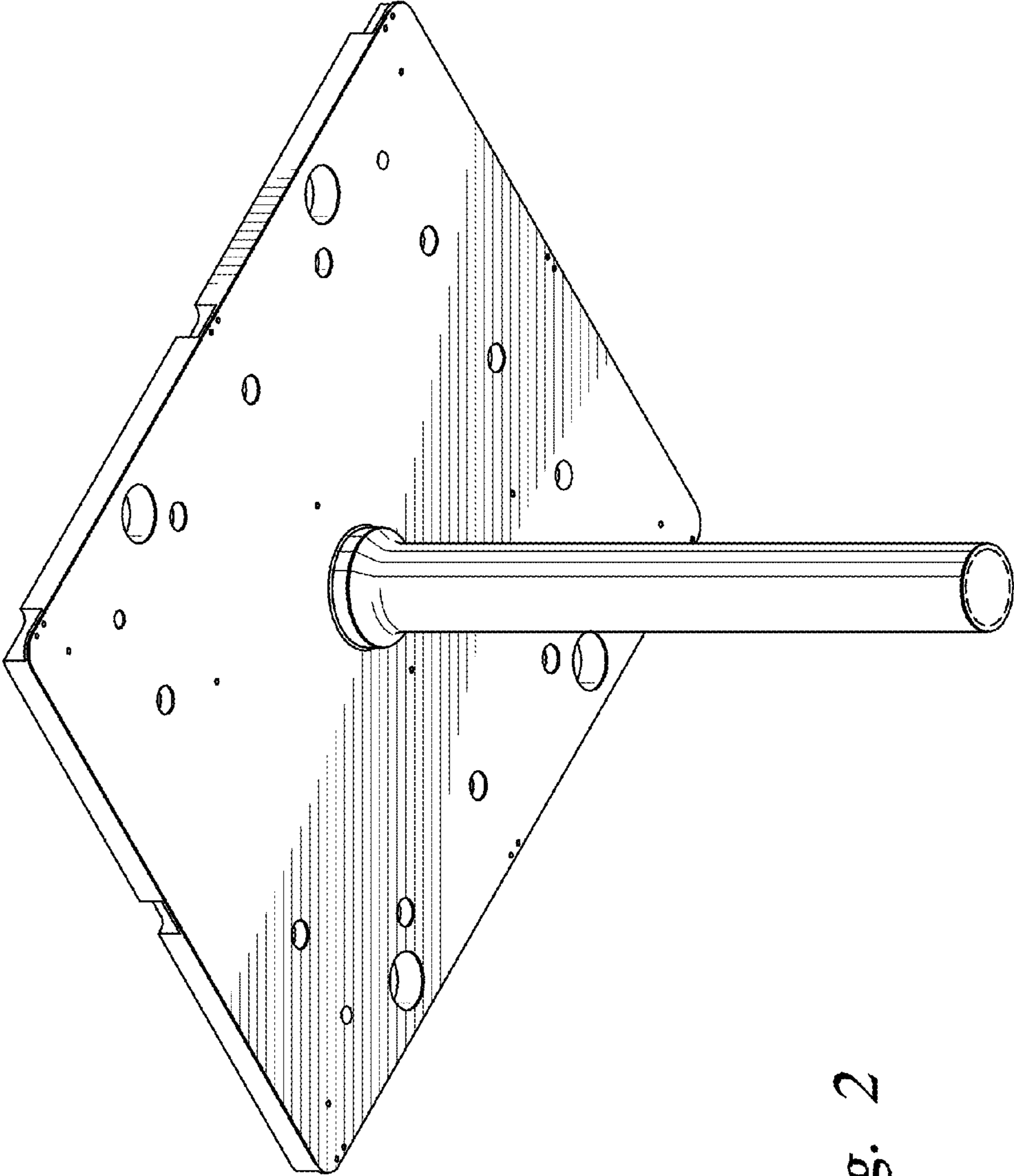


Fig. 2

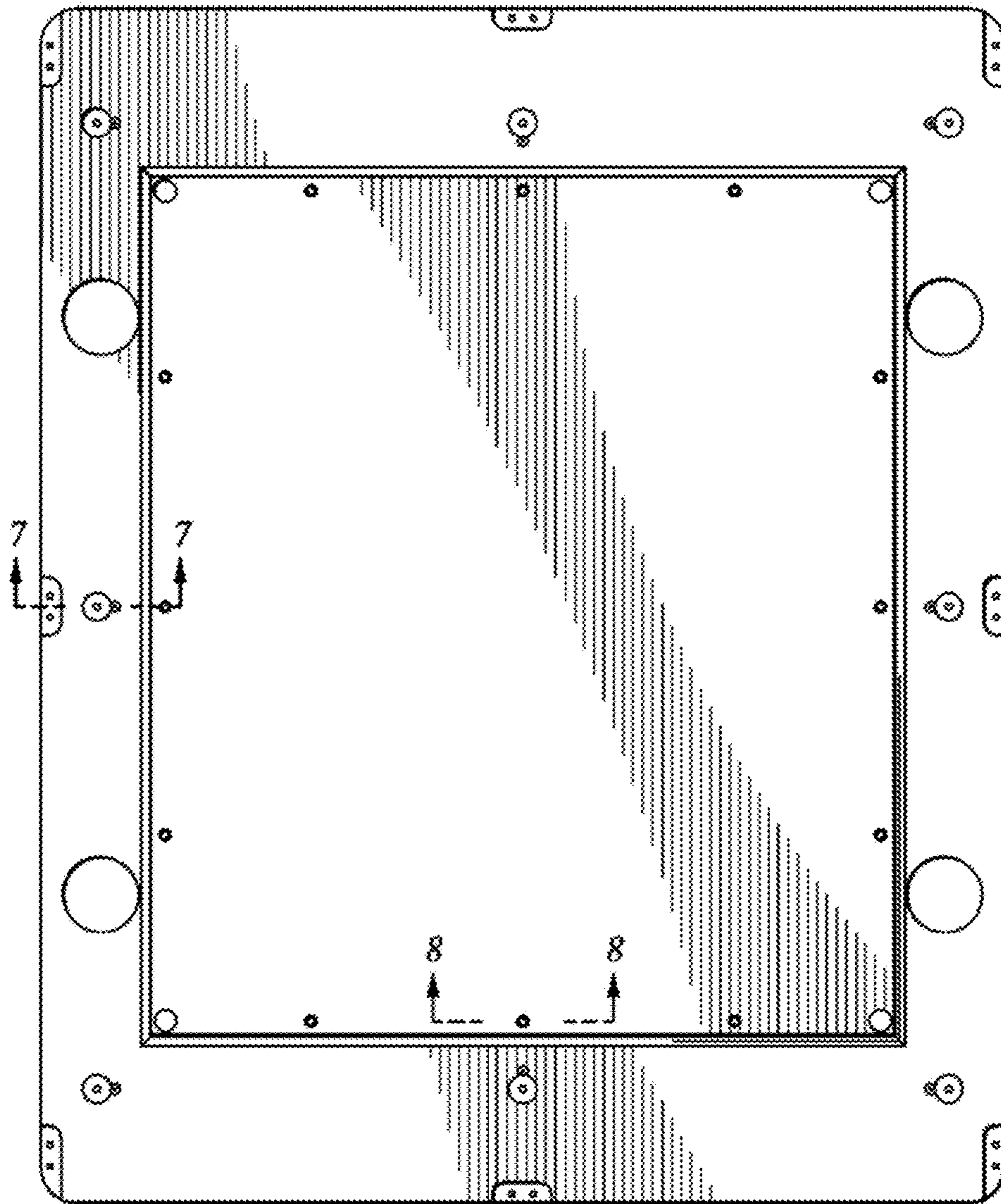


Fig. 3

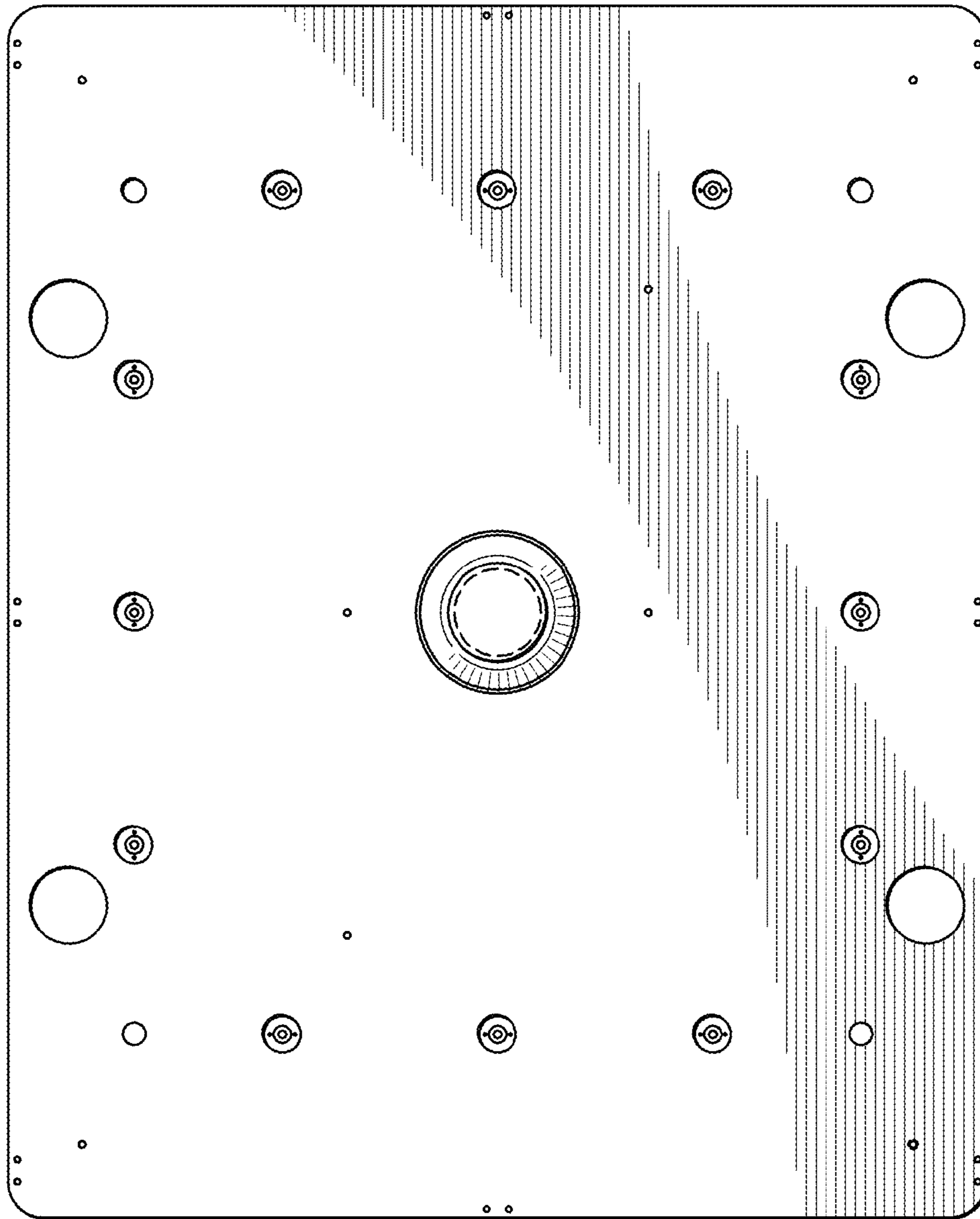


Fig. 4

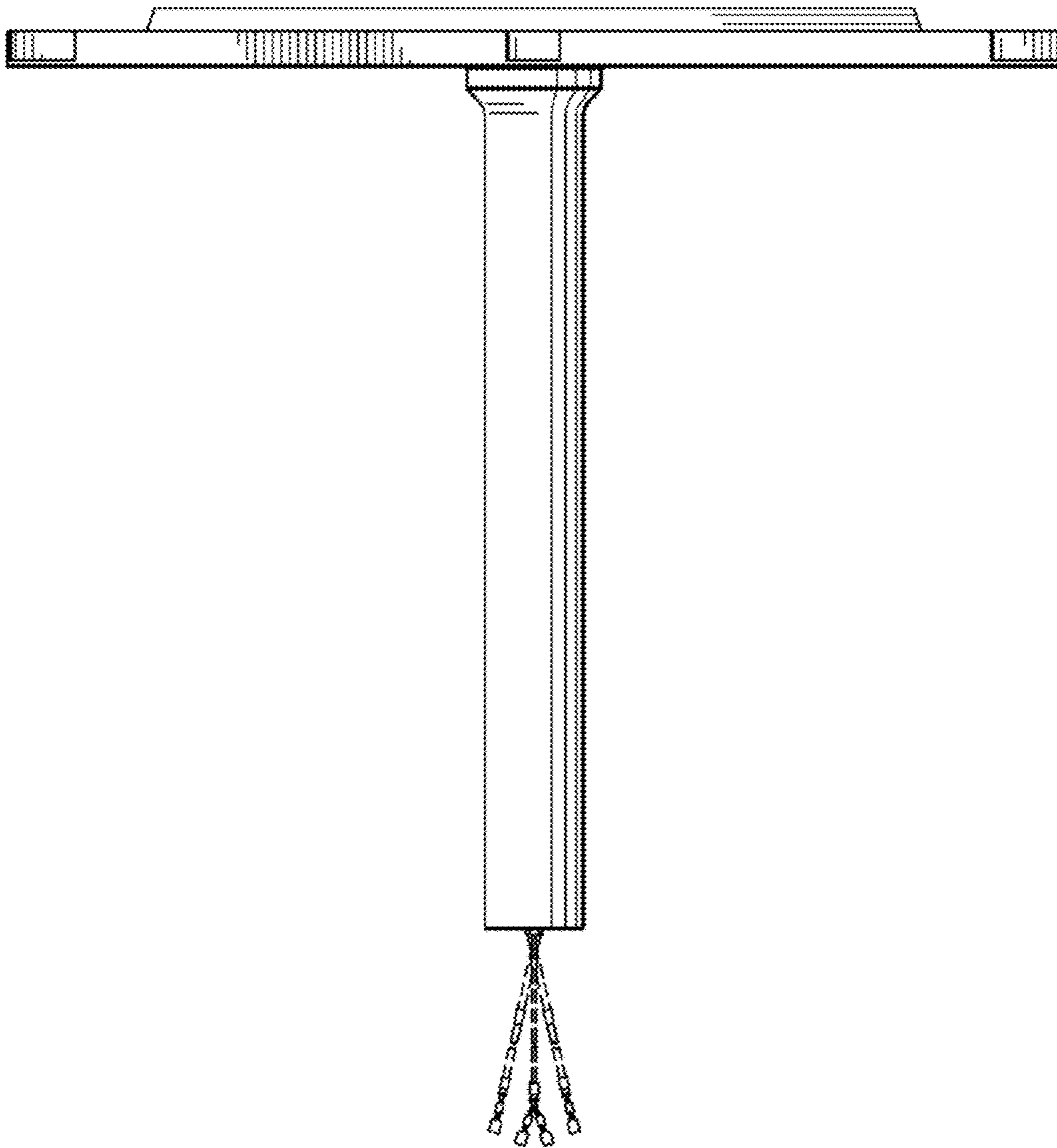


Fig. 5

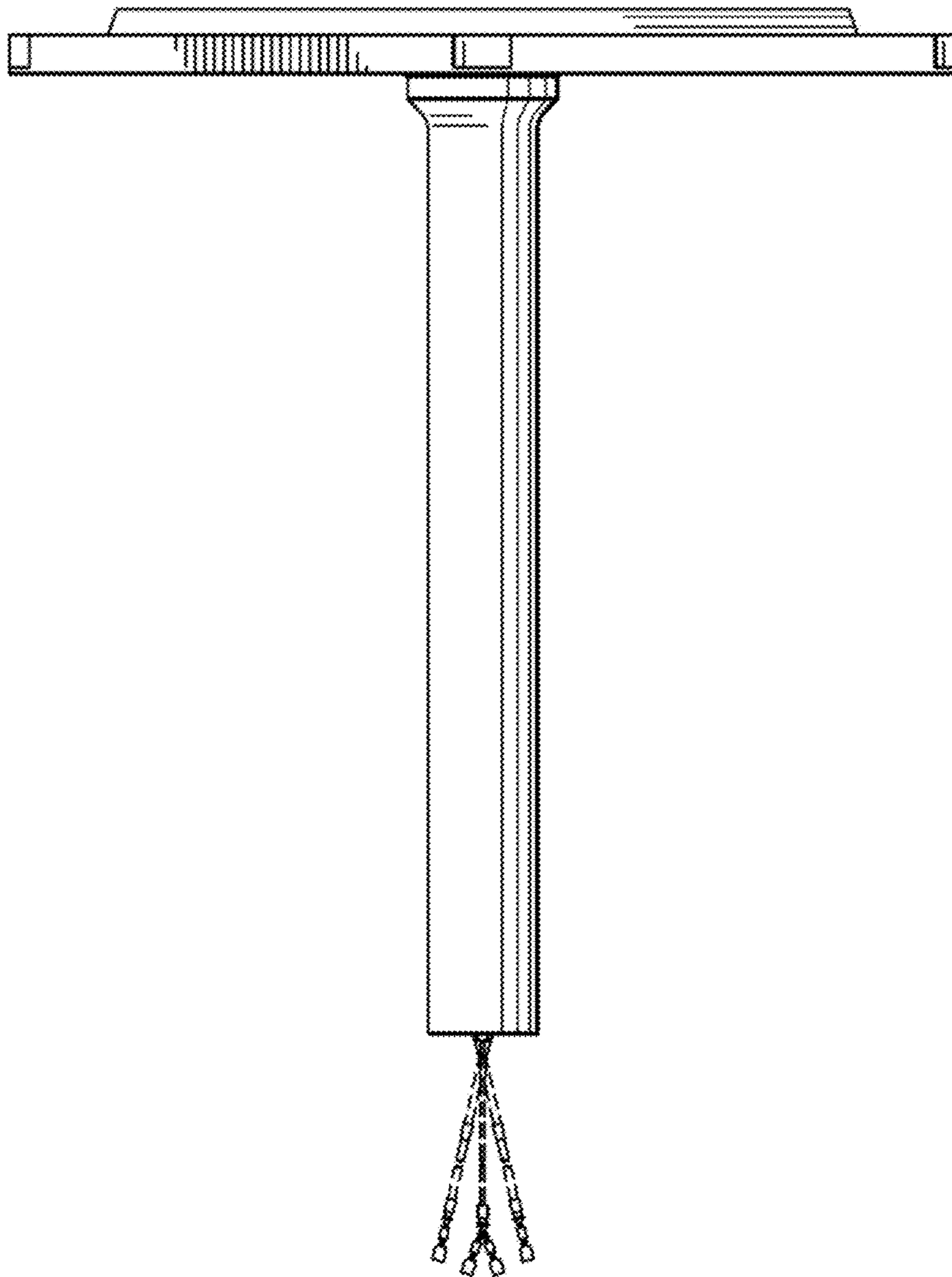


Fig. 6

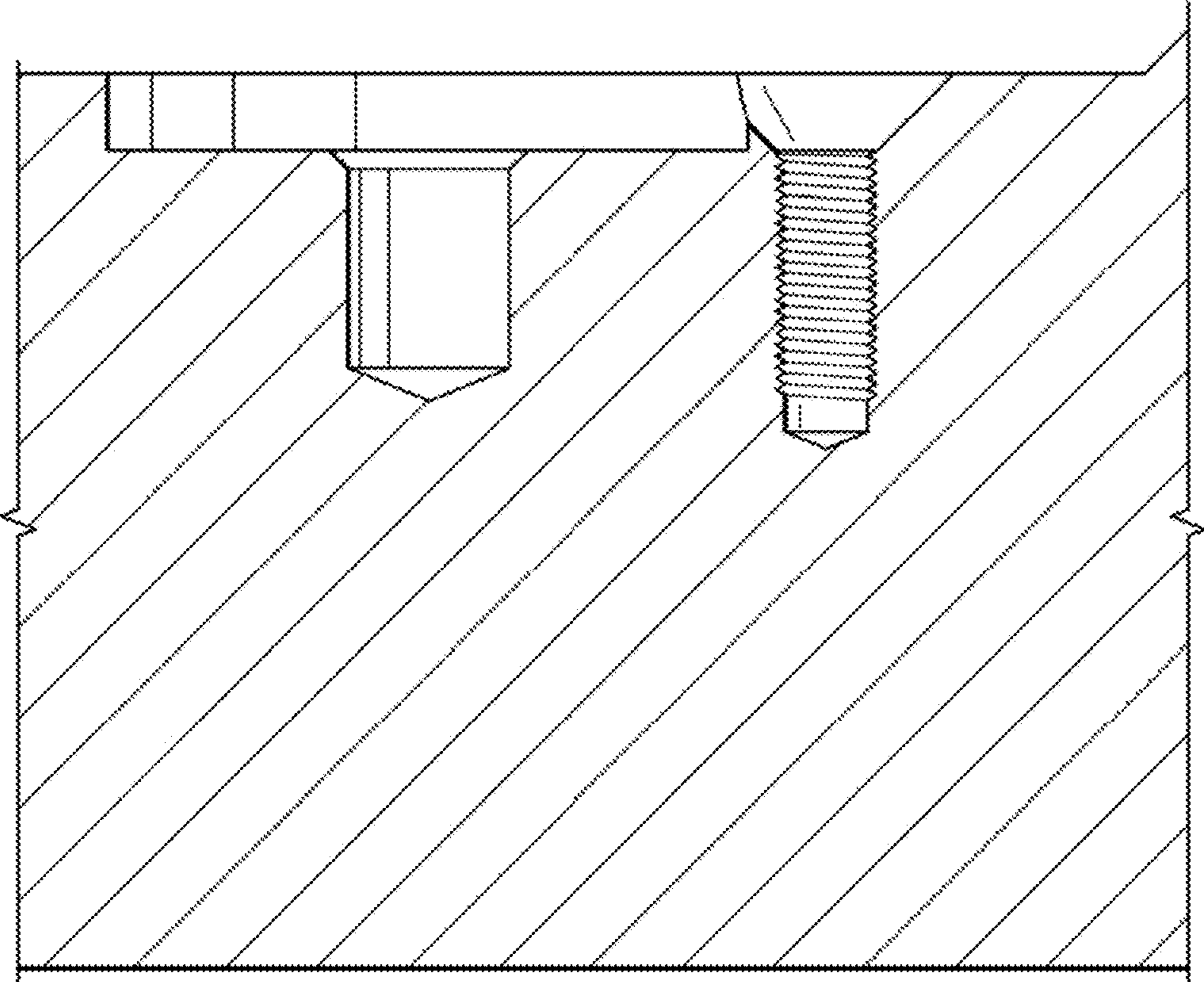


Fig. 7

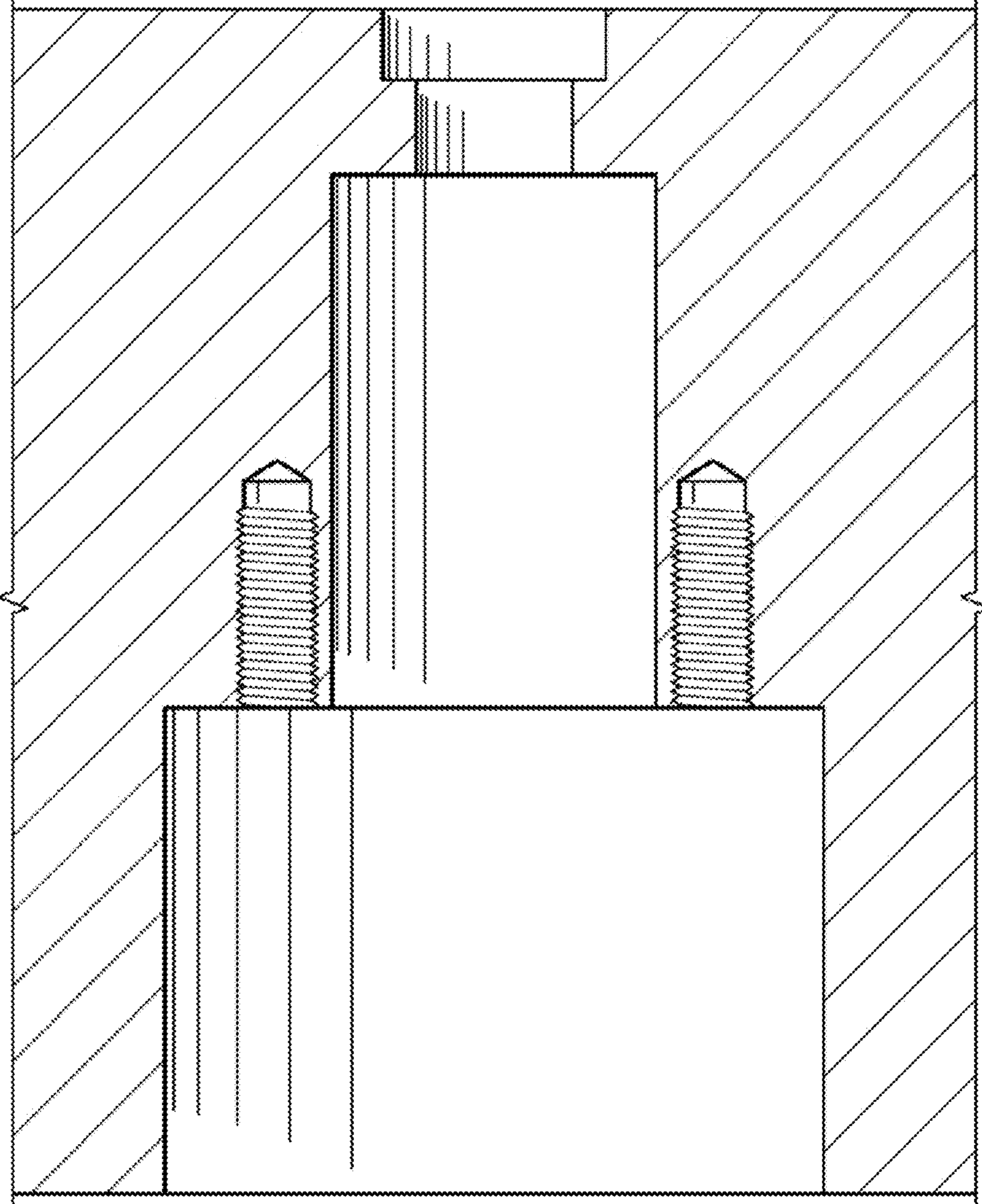


Fig. 8