

US00D701326S

(12) **United States Design Patent**  
**Riccobene et al.**

(10) **Patent No.:** **US D701,326 S**  
(45) **Date of Patent:** **\*\* Mar. 18, 2014**

- (54) **LANDSCAPING BLOCK**
- (71) Applicants: **Thomas S. Riccobene**, Albuquerque, NM (US); **Robert A. MacDonald**, Plymouth, MN (US)
- (72) Inventors: **Thomas S. Riccobene**, Albuquerque, NM (US); **Robert A. MacDonald**, Plymouth, MN (US)
- (73) Assignee: **Keystone Retaining Wall Systems LLC**, West Chester, OH (US)
- (\*\*) Term: **14 Years**
- (21) Appl. No.: **29/446,965**

D397,230 S	8/1998	Forsberg	
D397,451 S	8/1998	Stevenson	
D397,808 S	9/1998	Dawson	
5,865,006 A	2/1999	Dawson	
5,913,790 A	6/1999	Dawson	
D430,308 S	8/2000	Dawson	
6,149,352 A	11/2000	MacDonald	
6,178,715 B1	1/2001	Pacitto et al.	
D451,208 S *	11/2001	Falconer	D25/113
D462,785 S *	9/2002	Aurelius	D25/113
6,536,994 B2	3/2003	Race	
D479,340 S *	9/2003	Sooferian	D25/113
6,615,561 B2	9/2003	MacDonald et al.	
6,709,201 B2	3/2004	Race	
D488,242 S	4/2004	MacDonald	
D488,568 S	4/2004	MacDonald	
D488,569 S	4/2004	Dawson	
D490,542 S	5/2004	MacDonald	

(Continued)

- (22) Filed: **Feb. 28, 2013**
- (51) **LOC (10) Cl.** ..... **25-01**
- (52) **U.S. Cl.**  
USPC ..... **D25/113**
- (58) **Field of Classification Search**  
USPC ..... D25/102, 103, 106, 109, 112-118, 136,  
D25/138, 152, 159-162, 164;  
D21/484-491, 499-504; 405/16, 284,  
405/286; 52/503-505, 574, 575, 596-612;  
404/27-42  
See application file for complete search history.

**FOREIGN PATENT DOCUMENTS**

GB	248234 A	3/1926
GB	944066	* 12/1963

*Primary Examiner* — Anhdao Doan

(74) *Attorney, Agent, or Firm* — Popovich, Wiles & O'Connell, P.A.

(57) **CLAIM**

The ornamental design for a landscaping block, as shown and described.

(56) **References Cited**

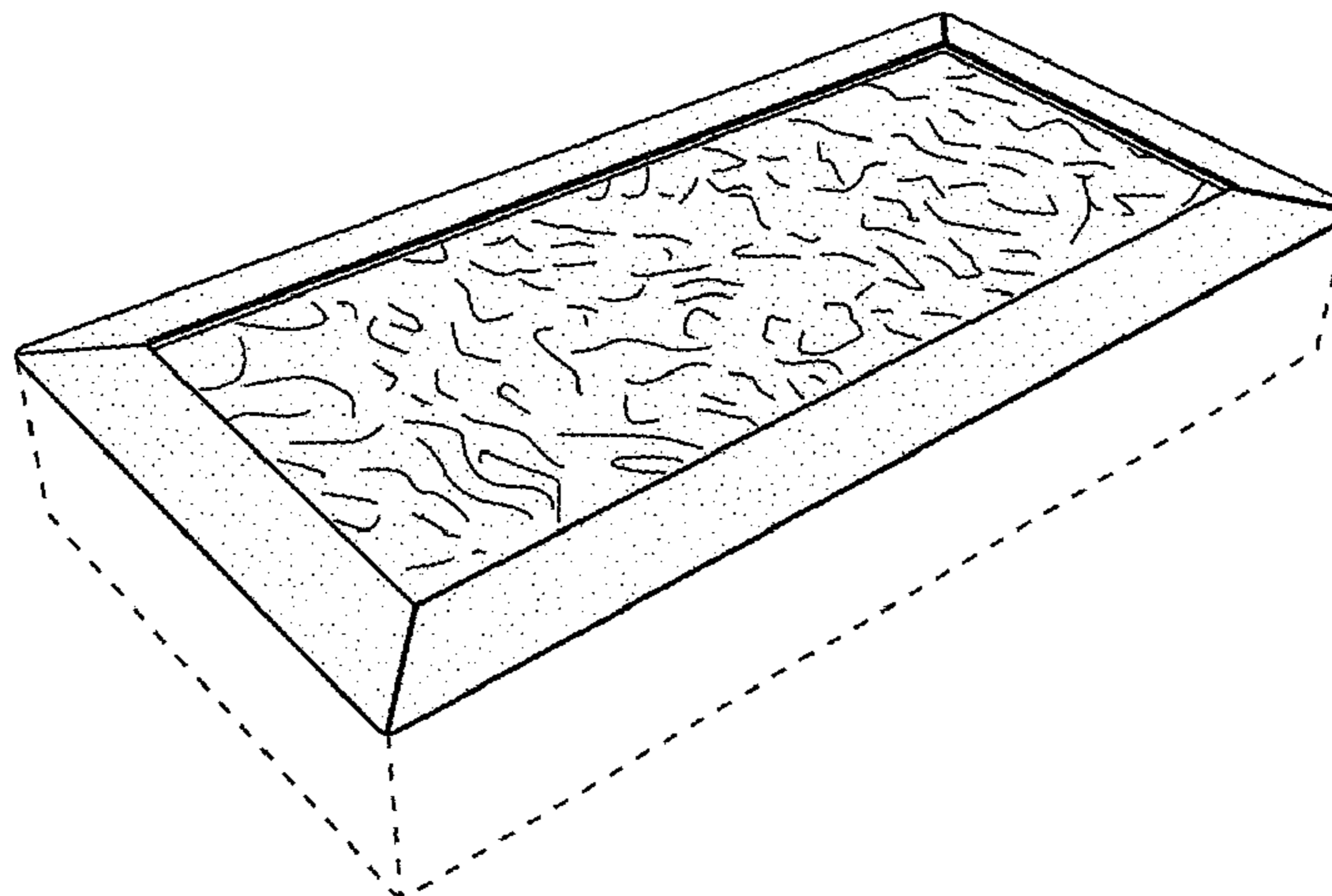
**U.S. PATENT DOCUMENTS**

1,794,572 A	3/1931	Wyatt	
1,949,079 A *	2/1934	Loeffler	52/599
2,131,803 A *	10/1938	Henderson	52/204.1
4,094,380 A *	6/1978	Kobayashi et al.	181/285
5,252,017 A	10/1993	Hodel	
D366,704 S *	1/1996	Bryant	D25/113
5,568,994 A	10/1996	Dawson	
5,601,384 A	2/1997	Dawson	
D380,560 S	7/1997	Forsberg	
D381,086 S	7/1997	Forsberg	
D384,168 S	9/1997	Stevenson	
D387,434 S	12/1997	Dawson	

**DESCRIPTION**

FIG. 1 is a perspective view of a landscaping block;  
 FIG. 2 is a top plan view thereof;  
 FIG. 3 is a front elevational view thereof, a rear side elevational view being a mirror image;  
 FIG. 4 is a left side elevational view thereof, a right side elevational view being a mirror image; and,  
 FIG. 5 is a bottom plan view thereof.  
 The portions of the landscaping block shown in broken lines form no part of the claimed design.

**1 Claim, 1 Drawing Sheet**



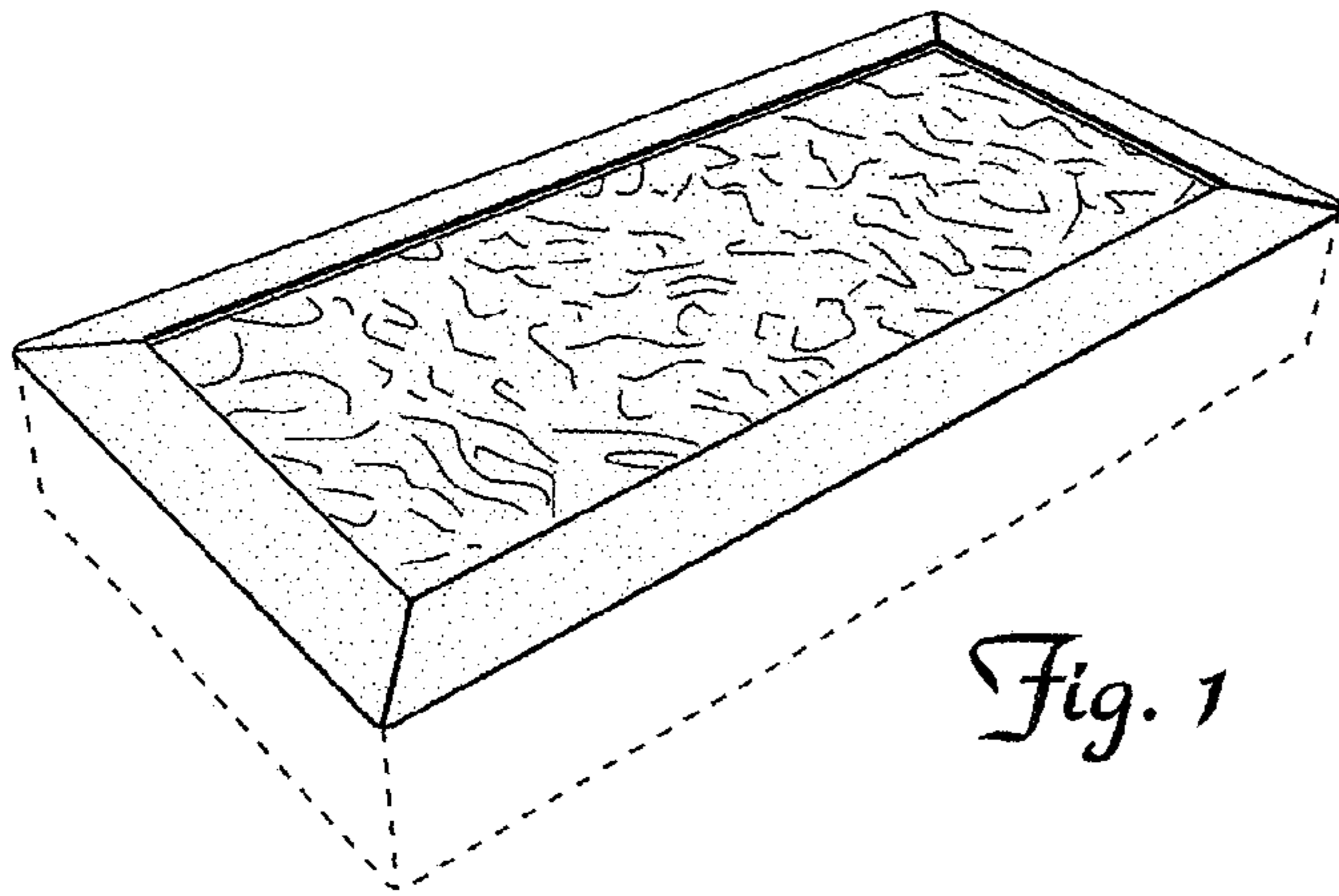
(56)

References Cited

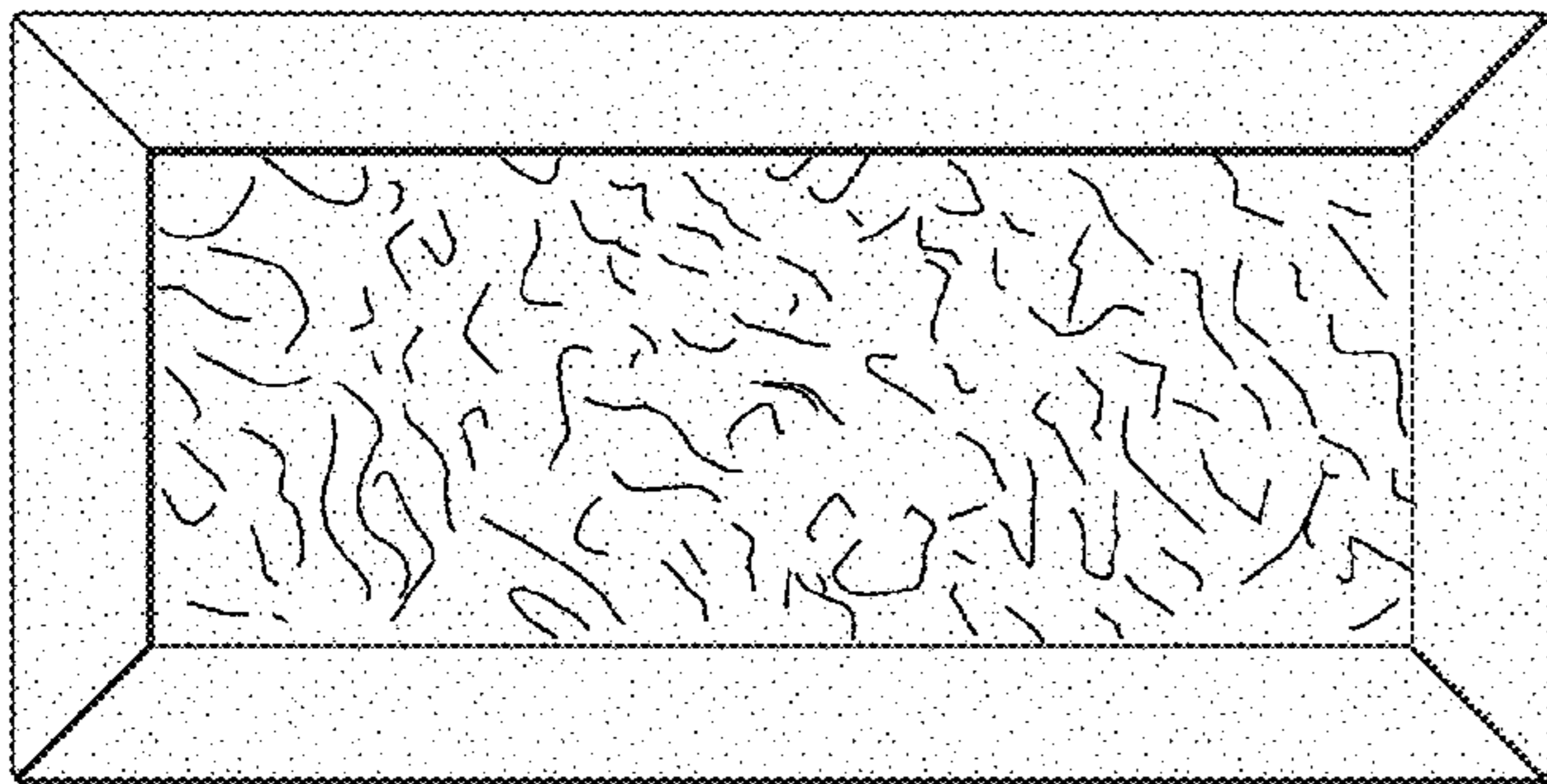
U.S. PATENT DOCUMENTS

6,803,002 B2	10/2004	Suto et al.	7,971,407 B2	7/2011	MacDonald
6,821,058 B1	11/2004	Dawson	D645,982 S	9/2011	Amend
D501,935 S	2/2005	Dawson et al.	D661,408 S *	6/2012	Riccobene ..... D25/113
6,854,231 B2	2/2005	MacDonald et al.	2006/0110223 A1	5/2006	Dawson
6,912,823 B2	7/2005	MacDonald et al.	2007/0166102 A1 *	7/2007	Cornaz ..... 404/34
7,011,474 B2	3/2006	MacDonald	2008/0174049 A1	7/2008	Hammer et al.
D521,654 S	5/2006	Anderson et al.	2008/0277561 A1	11/2008	MacDonald
7,168,892 B1	1/2007	MacDonald et al.	2008/0289282 A1	11/2008	MacDonald
7,448,830 B2	11/2008	MacDonald et al.	2008/0302350 A1	12/2008	LaCroix
D582,056 S *	12/2008	Plies ..... D25/113	2008/0307740 A1	12/2008	MacDonald
D582,057 S *	12/2008	Plies ..... D25/113	2008/0313988 A1	12/2008	MacDonald
7,641,178 B2	1/2010	MacDonald et al.	2009/0120029 A1	5/2009	LaCroix et al.
D610,710 S	2/2010	LaCroix et al.	2009/0151281 A1	6/2009	MacDonald et al.
7,654,776 B2	2/2010	MacDonald et al.	2009/0188196 A1	7/2009	MacDonald
7,687,005 B2	3/2010	Skidmore et al.	2009/0308015 A1	12/2009	MacDonald et al.
D618,823 S *	6/2010	Lallas ..... D25/113	2009/0313936 A1	12/2009	MacDonald et al.
D620,615 S	7/2010	MacDonald et al.	2010/0308502 A1	12/2010	LaCroix et al.
7,780,141 B2	8/2010	Dawson et al.	2010/0310695 A1	12/2010	LaCroix et al.
7,934,351 B2	5/2011	Clarno	2011/0072753 A1	3/2011	MacDonald
			2011/0217127 A1	9/2011	MacDonald
			2011/0243669 A1	10/2011	Friederichs et al.

\* cited by examiner



*Fig. 1*



*Fig. 2*



*Fig. 3*



*Fig. 4*



*Fig. 5*