



US00D701323S

(12) **United States Design Patent**  
**Fortun et al.**

(10) **Patent No.:** **US D701,323 S**  
(45) **Date of Patent:** **\*\* Mar. 18, 2014**

(54) **PROTECTIVE COVER**

- (71) Applicant: **Endura Products, Inc.**, Colfax, NC (US)
- (72) Inventors: **Mark Fortun**, Summerfield, NC (US);  
**Brent Van Camp**, Kernersville, NC (US)
- (73) Assignee: **Endura Products, Inc.**, Colfax, NC (US)
- (\*\*) Term: **14 Years**
- (21) Appl. No.: **29/454,377**
- (22) Filed: **May 9, 2013**

**Related U.S. Application Data**

- (63) Continuation of application No. 13/852,525, filed on Mar. 28, 2013.
- (51) **LOC (10) Cl.** ..... **25-02**
- (52) **U.S. Cl.**  
USPC ..... **D25/48.2**
- (58) **Field of Classification Search**  
USPC ..... D25/48.2; 49/467, 475.1, 468  
See application file for complete search history.

(56) **References Cited**

**U.S. PATENT DOCUMENTS**

2,290,472 A	7/1942	Hendrick
2,332,579 A	10/1943	Kirby
4,079,550 A	3/1978	Bursk et al.
4,193,375 A	3/1980	Sharland et al.
4,310,991 A	1/1982	Seely
4,357,898 A	11/1982	Fehrenbacher
5,018,307 A	5/1991	Burrous et al.
5,426,894 A	6/1995	Headrick
5,588,266 A	12/1996	Headrick
5,611,173 A	3/1997	Headrick et al.

(Continued)

**FOREIGN PATENT DOCUMENTS**

GB	2161726 A	1/1986
GB	2373812 A	10/2002
GB	2418448 A	3/2006

**OTHER PUBLICATIONS**

Web page entitled "Job Site Sill Covers," <http://www.enduraproducts.com/product-overview/components/sill-components/job%20site%20covers.aspx>. Known as of Mar. 27, 2013. 1 page.

(Continued)

*Primary Examiner* — Doris Clark

(74) *Attorney, Agent, or Firm* — Womble Carlyle Sandridge & Rice, LLP

(57) **CLAIM**

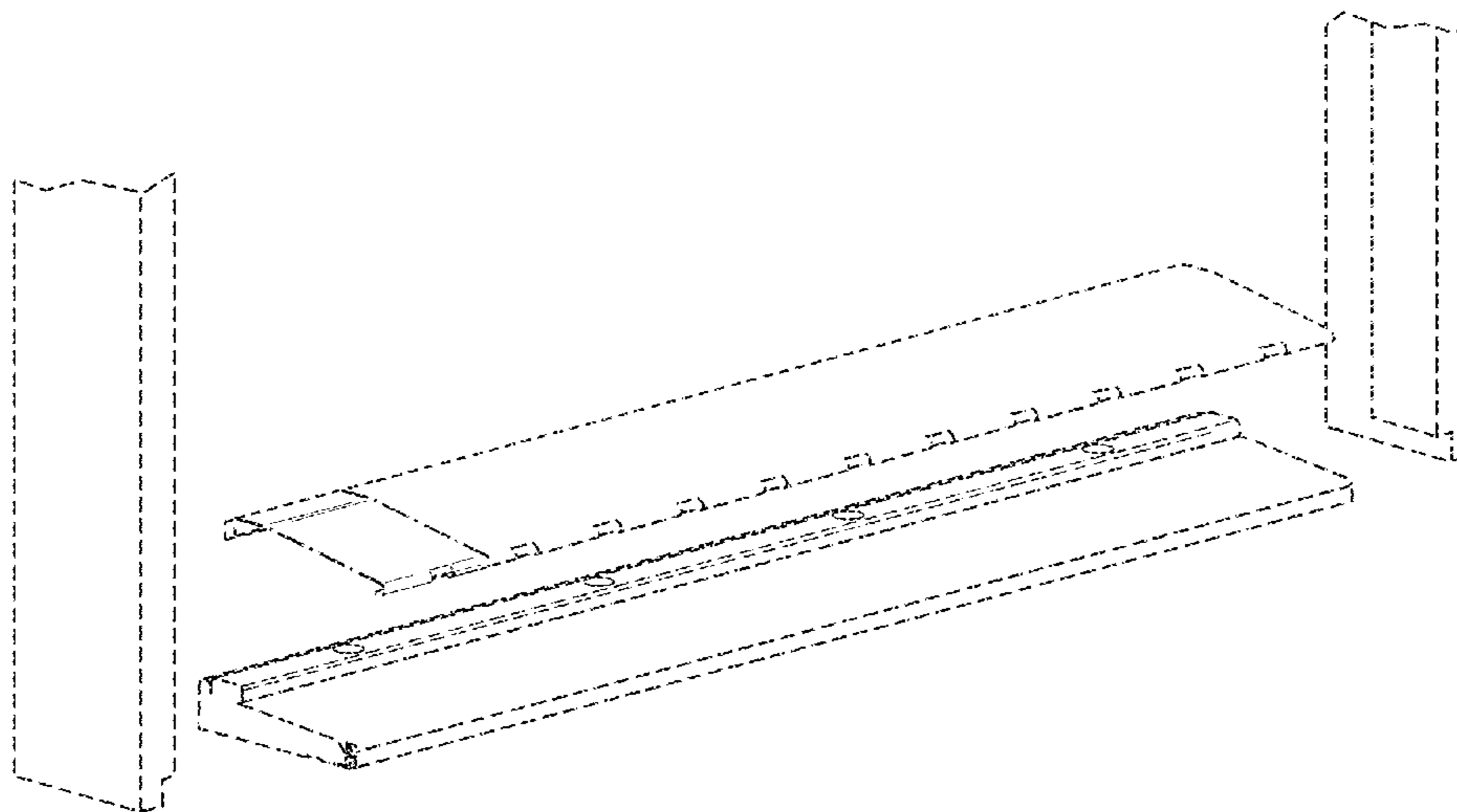
The ornamental design for a protective cover, as shown and described.

**DESCRIPTION**

FIG. 1 is a left front perspective view of our new design; FIG. 2 is a left side view thereof; the right side view being a mirror image thereof; FIG. 3 is a front view thereof; FIG. 4 is a rear view thereof; FIG. 5 is a top view thereof; and, FIG. 6 is an exploded view showing our new design with respect to door threshold elements.

The views of the protective cover not shown form no part of the claimed design. The dash-dot lines in the Figures immediately adjacent to the shaded area represent unclaimed boundaries of the design. The dash-dash lines elsewhere in the Figures refer to environmental elements only and form no part of the claimed design.

**1 Claim, 5 Drawing Sheets**



(56)

**References Cited**

U.S. PATENT DOCUMENTS

6,044,600	A	4/2000	McCollough	
6,052,949	A *	4/2000	Procton et al.	49/506
6,138,413	A	10/2000	Fehr	
6,216,395	B1	4/2001	Kelly	
6,269,591	B1	8/2001	Kelly	
D474,844	S *	5/2003	Babka et al.	D25/48.2
6,829,864	B2	12/2004	Mitchell et al.	
2005/0210754	A1 *	9/2005	Ferrell	49/468
2006/0005470	A1	1/2006	Mullen et al.	
2010/0300001	A1	12/2010	Wernlund et al.	

OTHER PUBLICATIONS

Web page entitled "High Dam Sills," <http://www.codeentrysystems.com/features/sills.aspx?tabIndex=3>. Known as of Mar. 27, 2013. 1 page.

Web page entitled "New Sill Protector by Pollard Windows Inc.," [http://www.pollardwindows.com/press\\_releases/pr\\_sill\\_protector.htm](http://www.pollardwindows.com/press_releases/pr_sill_protector.htm). Known as of Mar. 27, 2013. 1 page.

Web page entitled "Sure Sill," <http://www.enduraproducts.com/product-overview/components/sill-components/suresill.aspx>. Known as of Mar. 27, 2013, 1 page.

\* cited by examiner

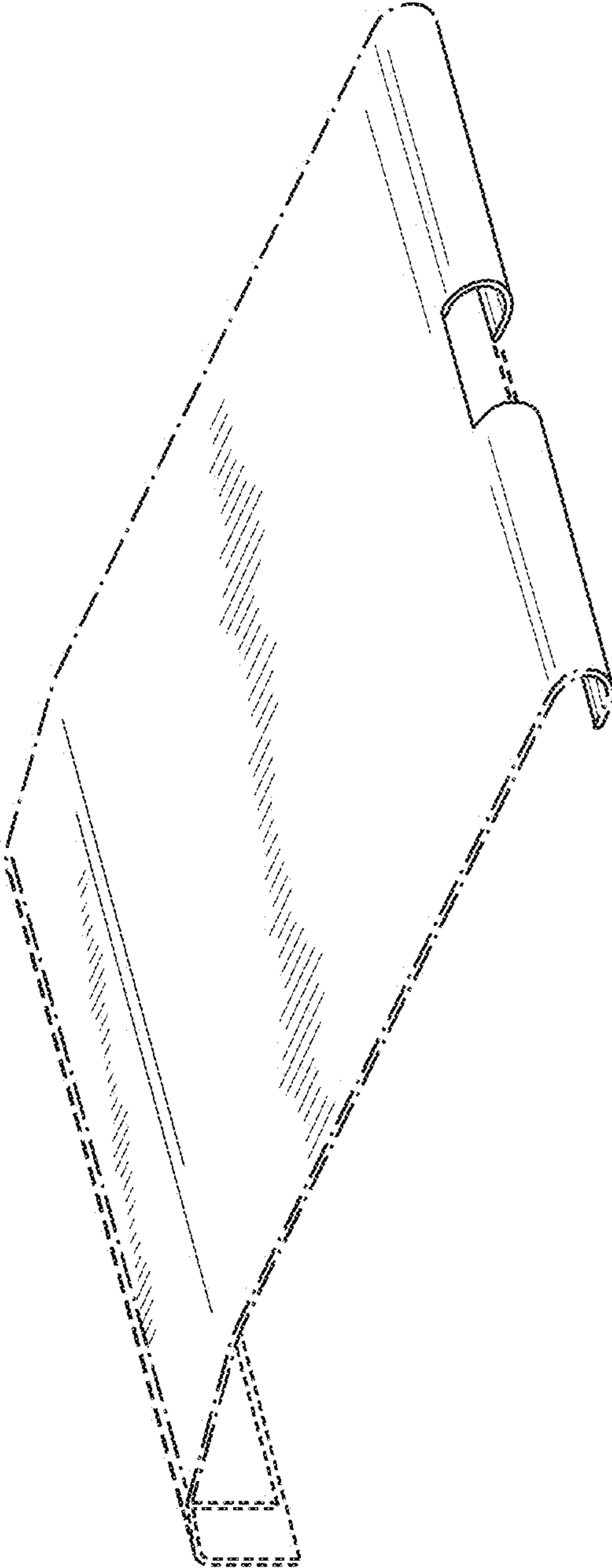


FIG. 1

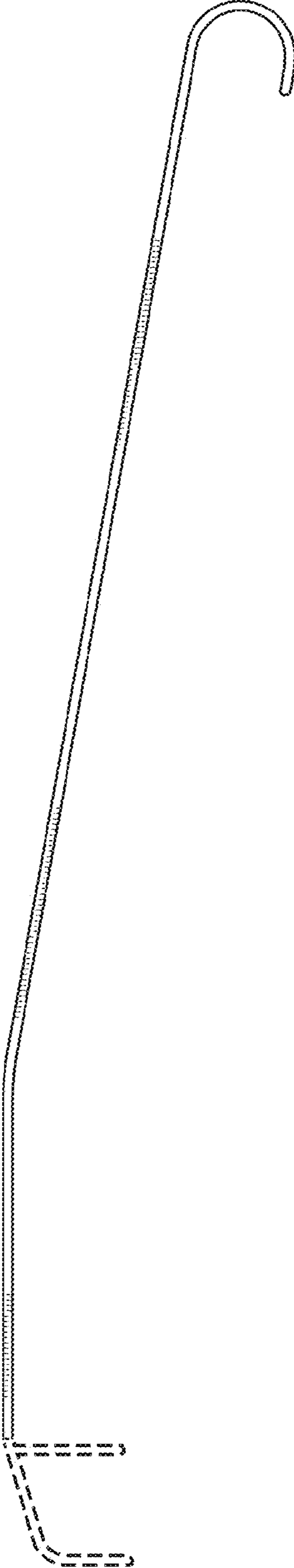
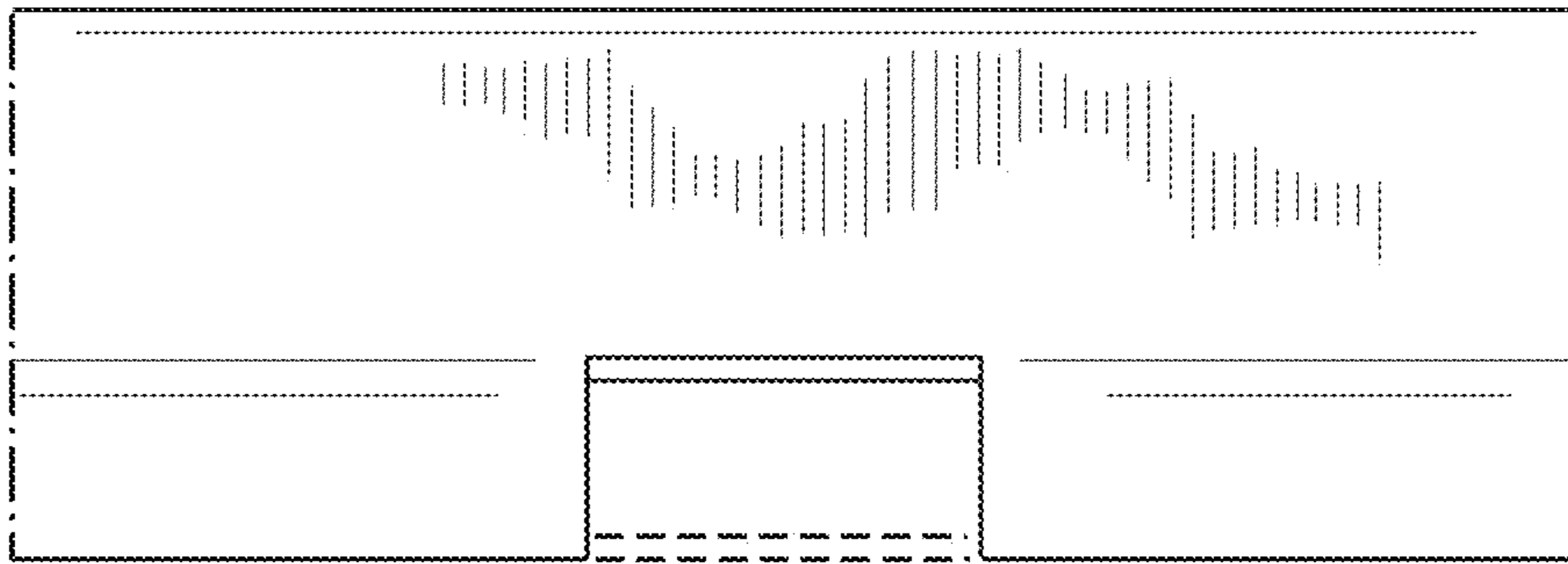
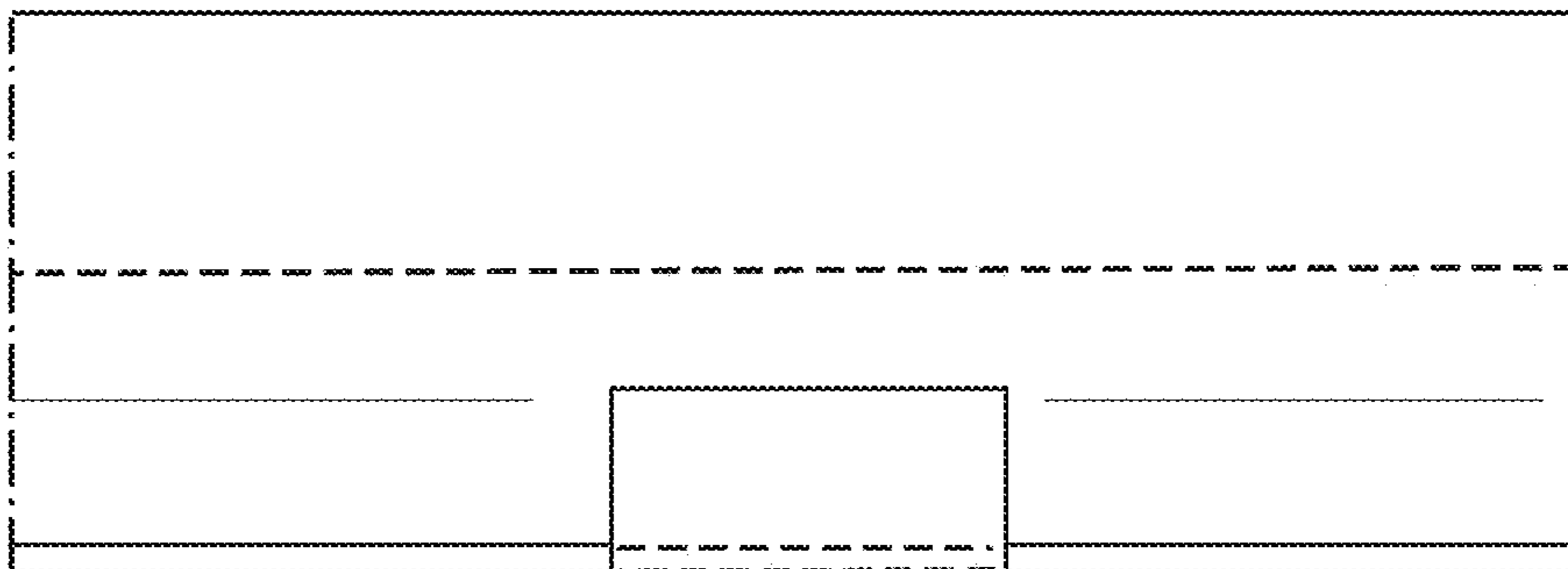


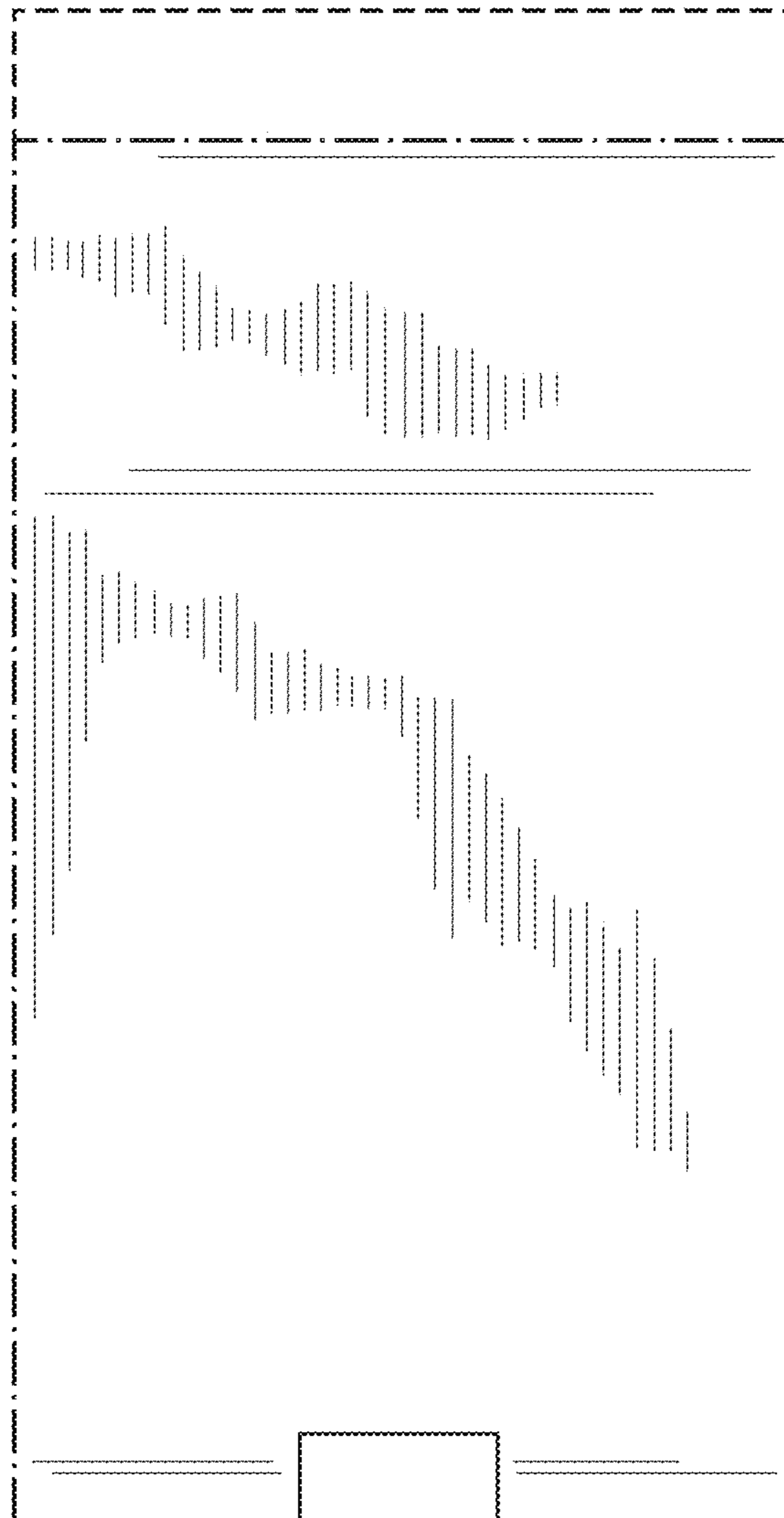
FIG. 2



**FIG. 3**



**FIG. 4**



**FIG. 5**

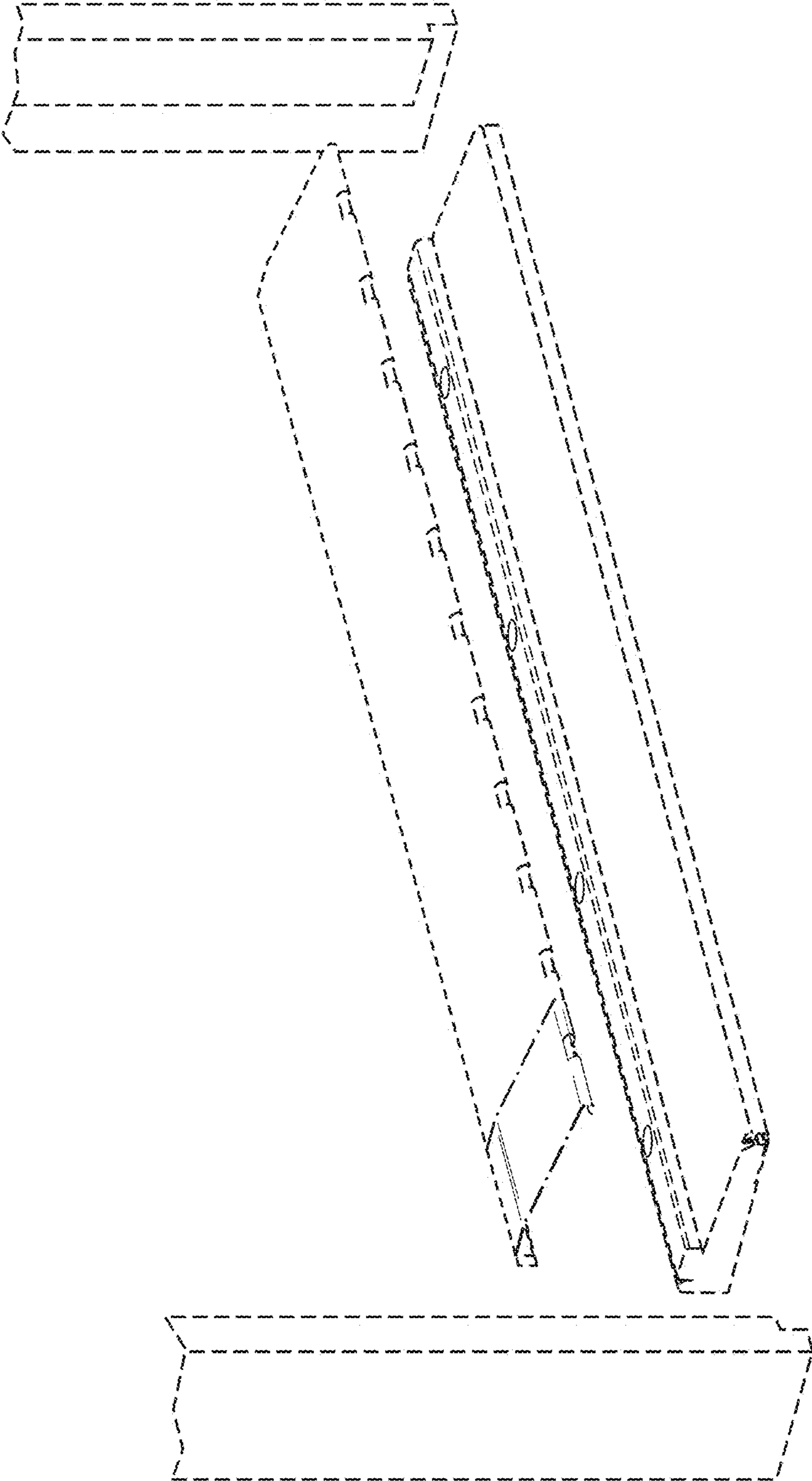


FIG. 6