



US00D701322S

(12) **United States Design Patent**
McCue et al.

(10) **Patent No.:** **US D701,322 S**
(45) **Date of Patent:** **** Mar. 18, 2014**

- (54) **CART STORAGE STATION**
- (75) Inventors: **David S. McCue**, Manchester, MA (US);
Brent Hild, Belmont, MA (US);
Teodoro A. Mesa, Lynn, MA (US)
- (73) Assignee: **McCue Corporation**, Salem, MA (US)
- (**) Term: **14 Years**
- (21) Appl. No.: **29/411,462**
- (22) Filed: **Jan. 20, 2012**
- (51) **LOC (10) Cl.** **25-03**
- (52) **U.S. Cl.**
USPC **D25/32**
- (58) **Field of Classification Search**
USPC D25/1-33; 211/17, 22; 52/33; 194/905;
D6/462
See application file for complete search history.

8,205,757 B2 * 6/2012 Allen 211/17
 D667,504 S * 9/2012 Allen D20/19
 2010/0327245 A1 * 12/2010 Allen 256/25

* cited by examiner

Primary Examiner — Eric Goodman

(74) *Attorney, Agent, or Firm* — Occhiuti Rohlicek & Tsao LLP

(57) **CLAIM**

The ornamental design for a cart storage station, as shown and described.

DESCRIPTION

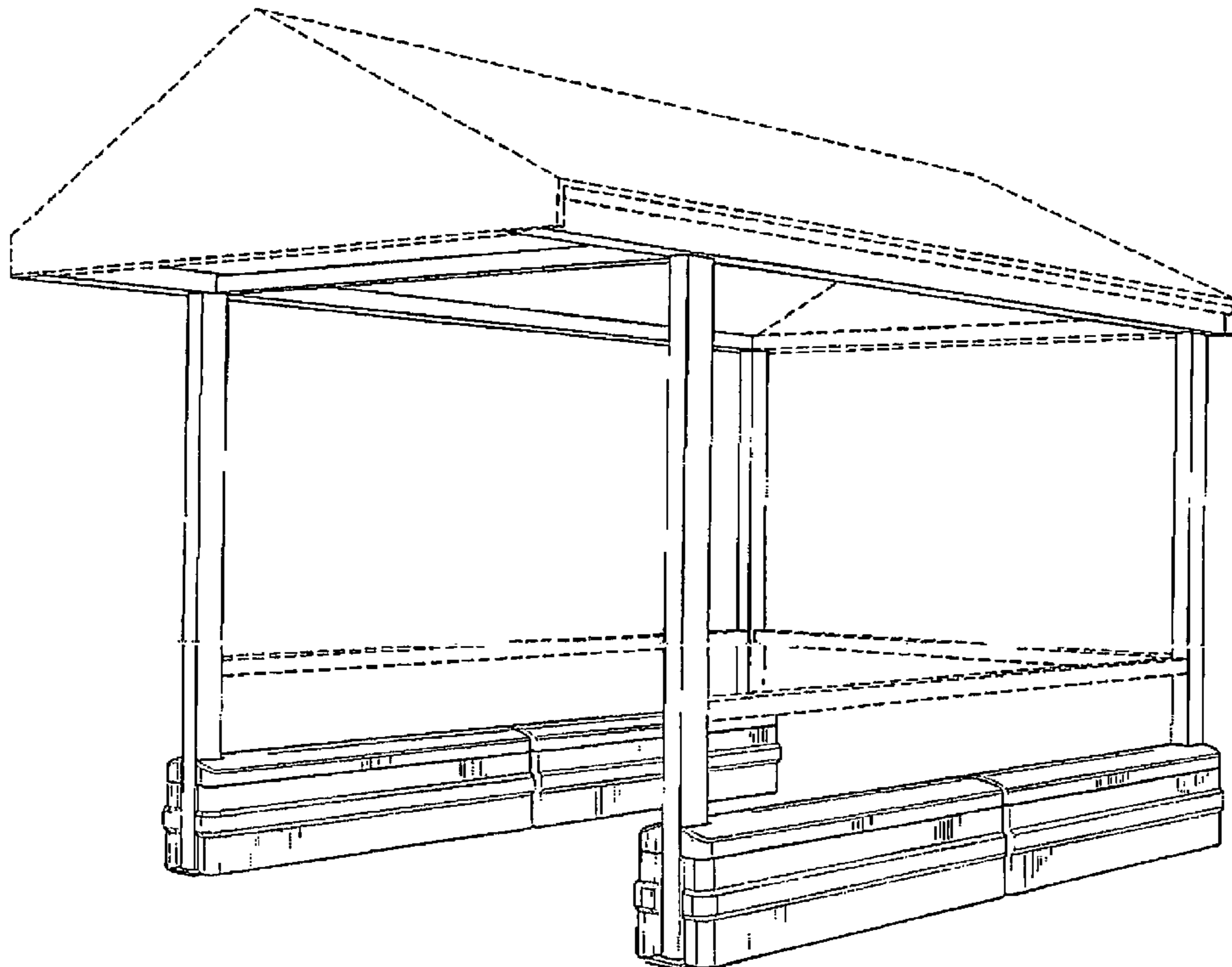
FIG. 1 is a front perspective view of a building structure;
 FIG. 2 is a top plan view thereof;
 FIG. 3 is a front elevation view thereof;
 FIG. 4 is a left elevation view thereof;
 FIG. 5 is a right elevation view thereof;
 FIG. 6 is a rear elevation view thereof;
 FIG. 7 is a front perspective view of a building structure according to an alternative embodiment;
 FIG. 8 is a top plan view of the embodiment of FIG. 7;
 FIG. 9 is a front elevation view of the embodiment of FIG. 7;
 FIG. 10 is a left elevation view of the embodiment of FIG. 7;
 FIG. 11 is a right elevation view of the embodiment of FIG. 7;
 and,
 FIG. 12 is a rear elevation view of the embodiment of FIG. 7.
 The roof and plantings are shown in broken lines for illustrative purposes only and form no part of the claimed design.

(56) **References Cited**

U.S. PATENT DOCUMENTS

5,201,426	A *	4/1993	Cruwell, Jr.	211/17
5,551,578	A *	9/1996	McCue et al.	211/17
D376,854	S *	12/1996	DiPaolo et al.	D25/18
6,581,616	B1 *	6/2003	Venegas, Jr.	135/121
D537,952	S *	3/2007	Anton	D25/18
D540,472	S *	4/2007	Van Es	D25/22
D615,129	S *	5/2010	Allen	D20/19
7,814,723	B2 *	10/2010	VanElverdinghe	52/641
D655,945	S *	3/2012	McCue et al.	D6/462

1 Claim, 12 Drawing Sheets



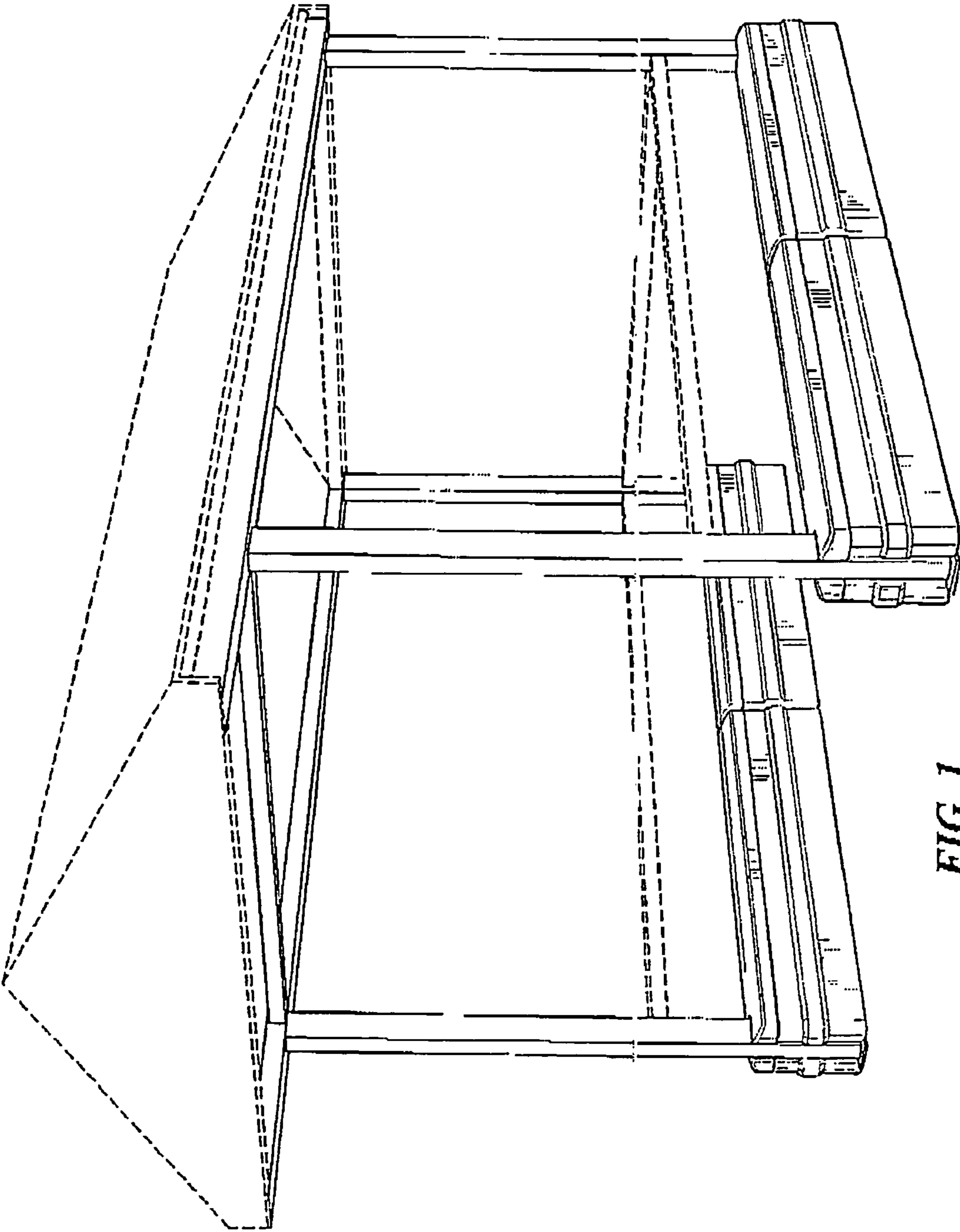


FIG. 1

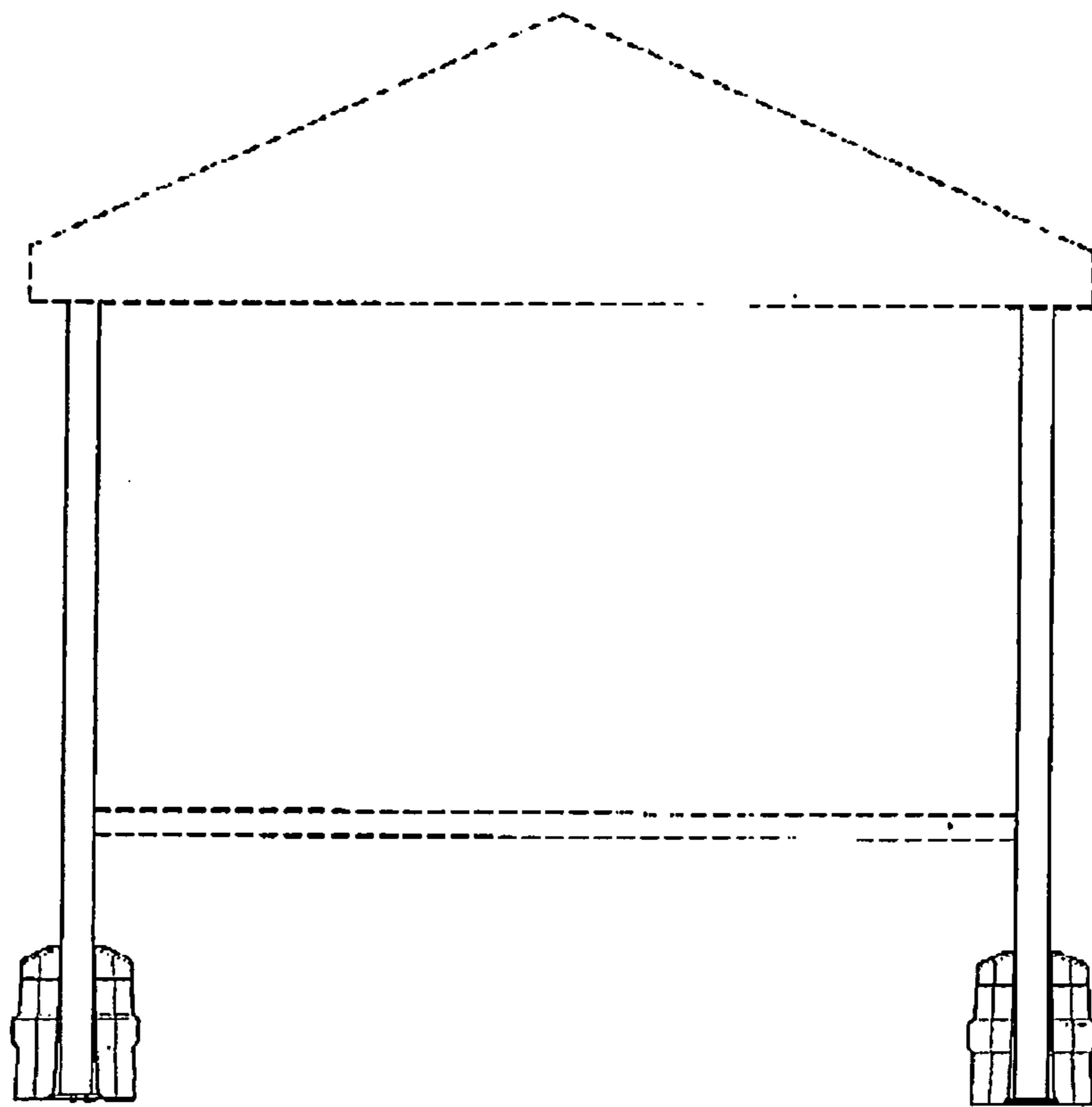


FIG. 2

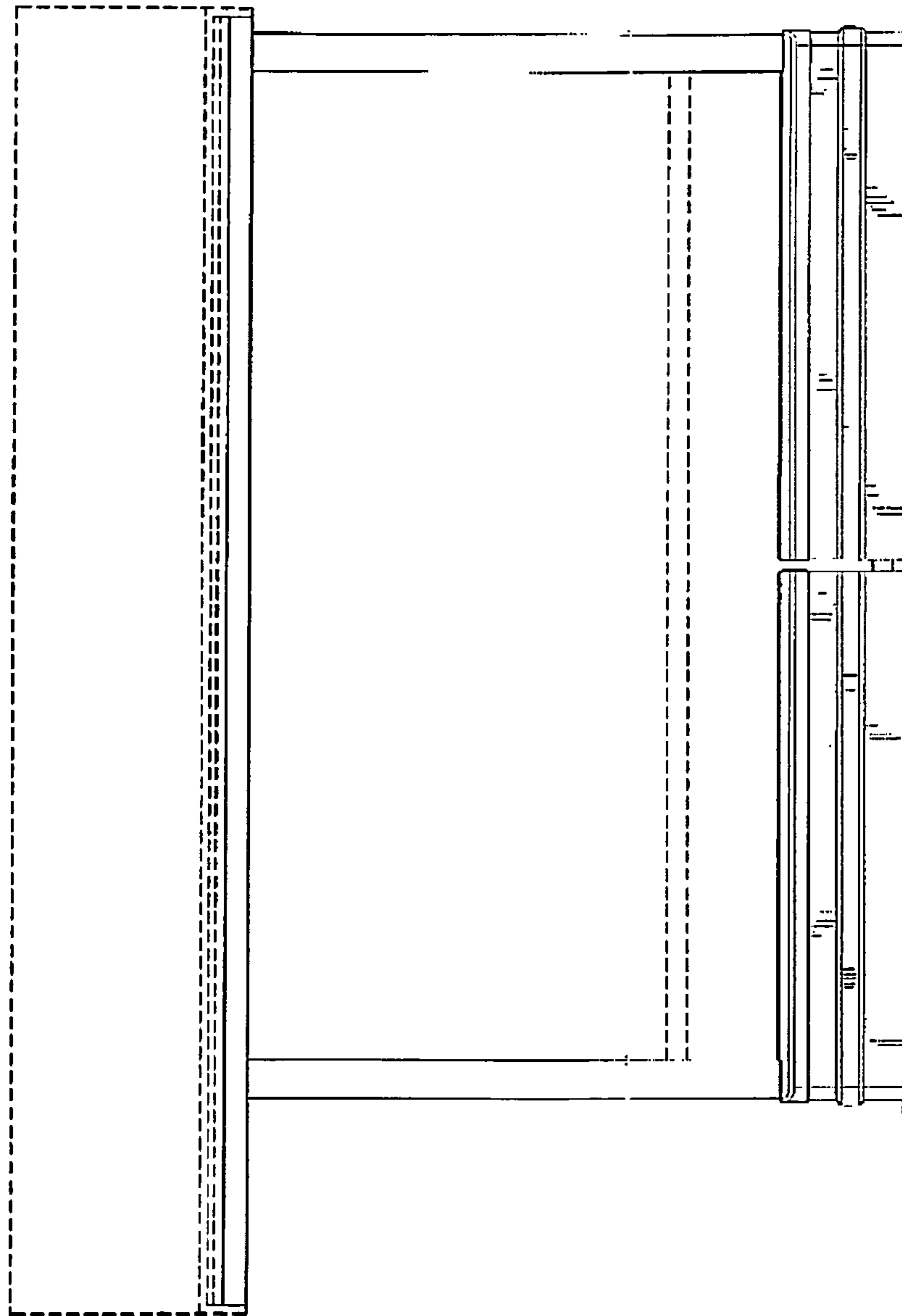


FIG. 3

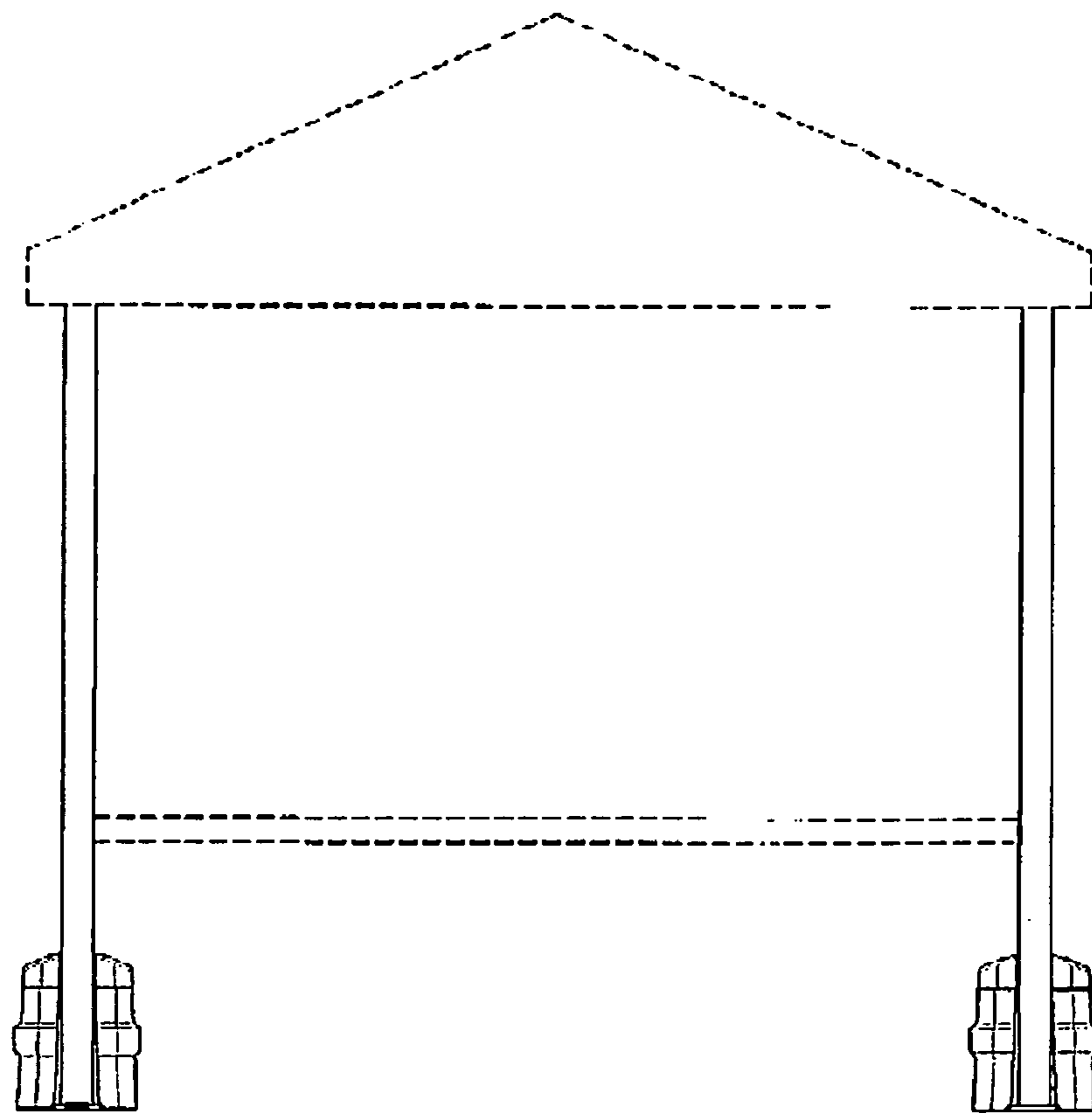


FIG. 4

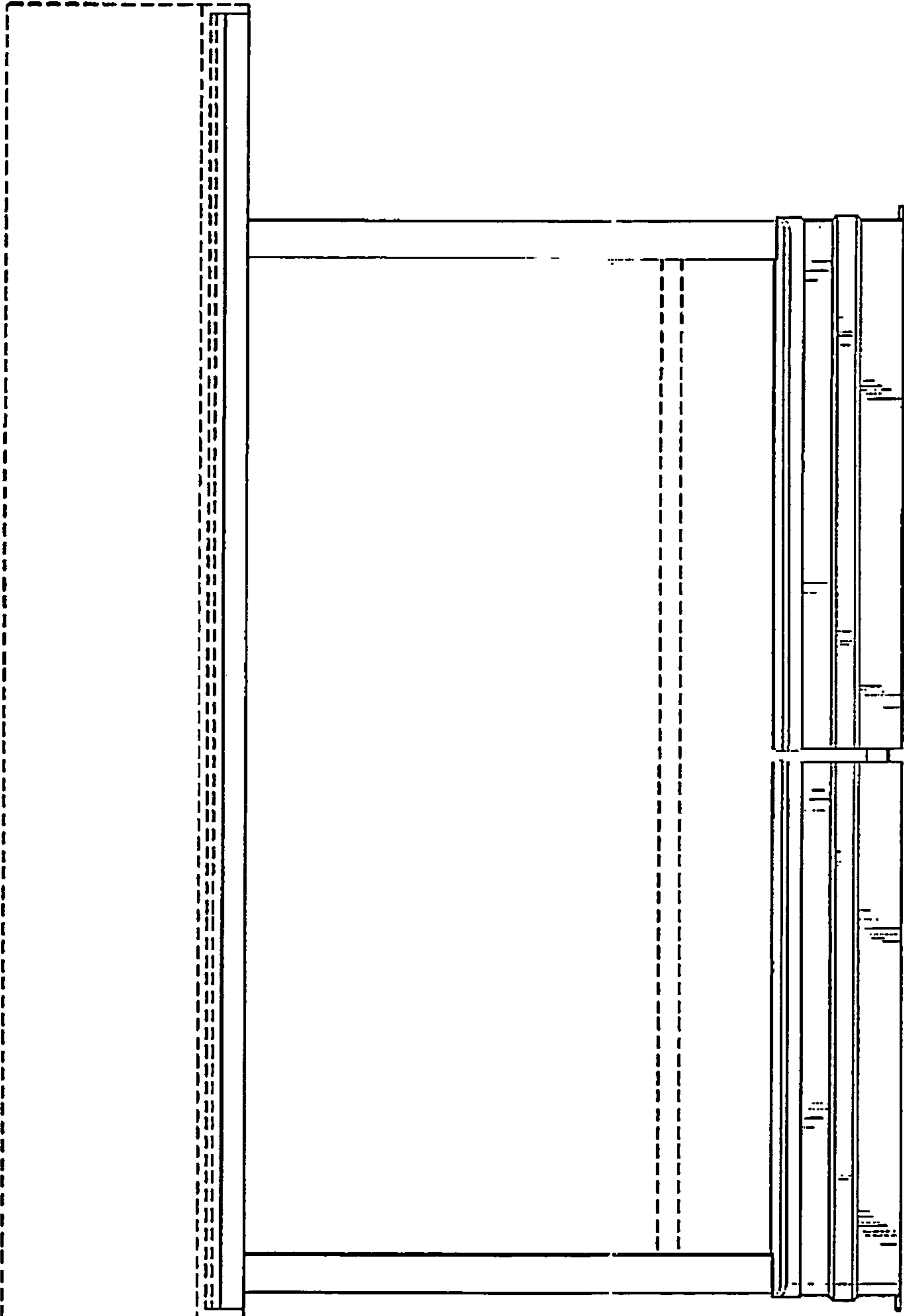


FIG. 5

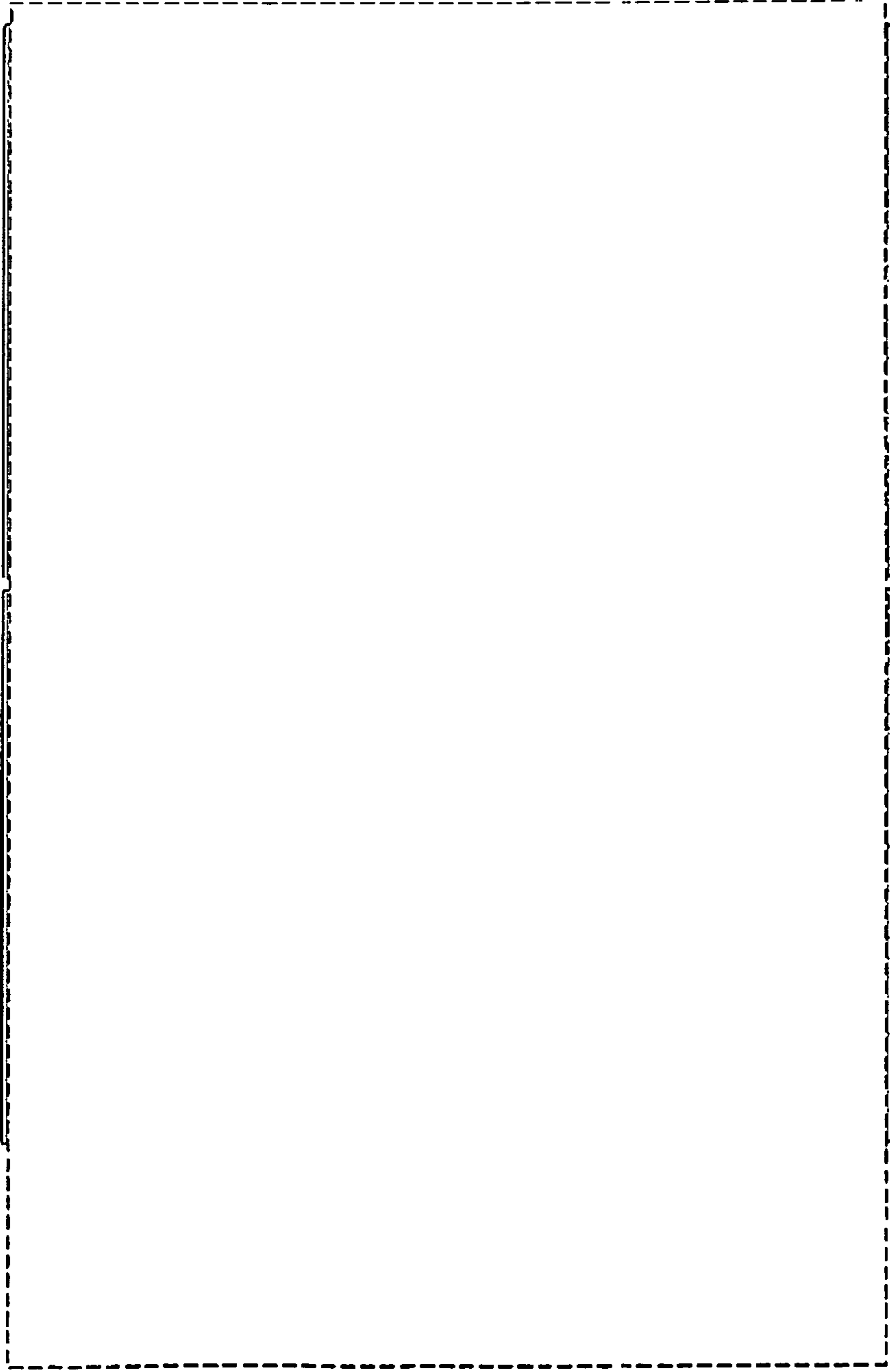


FIG. 6

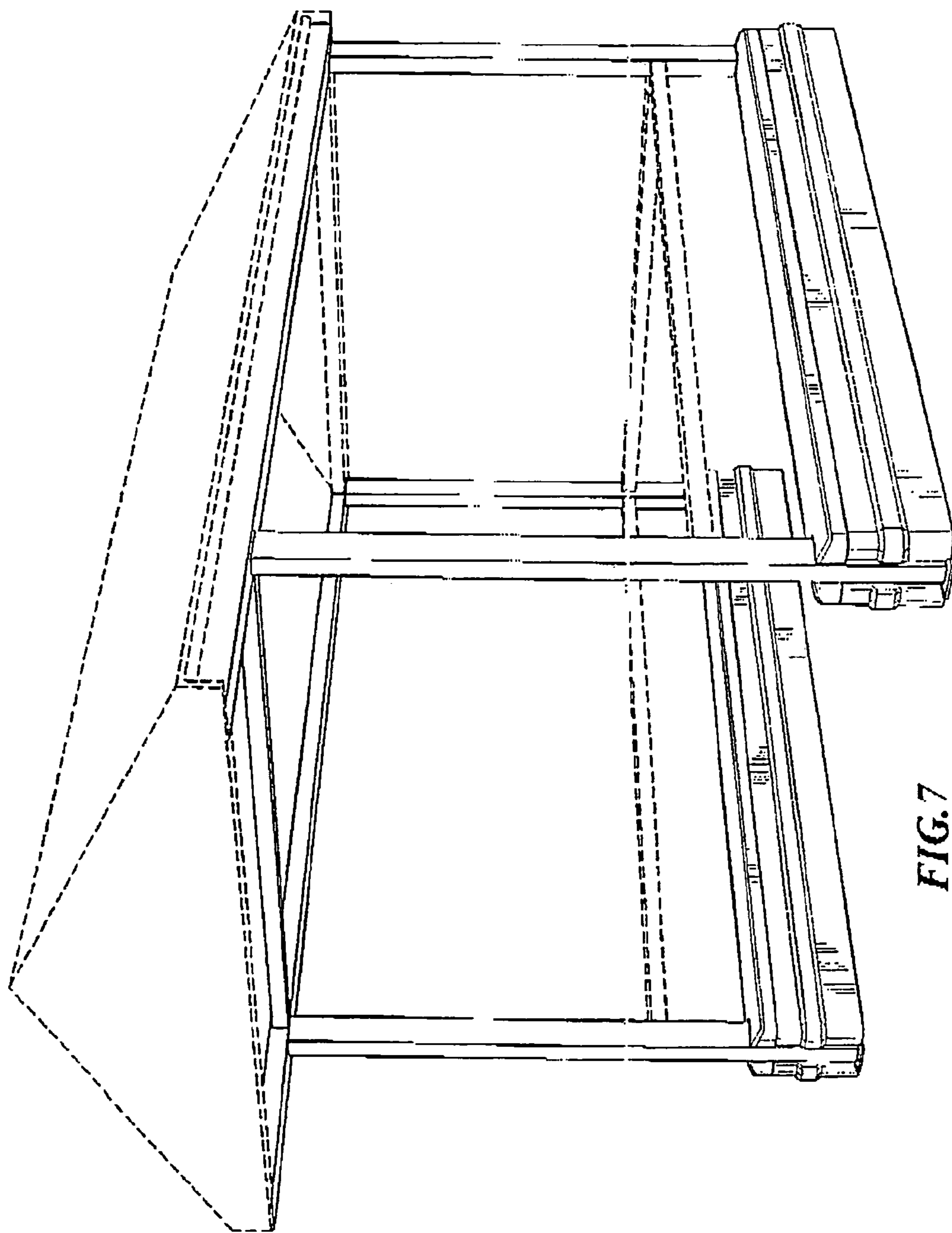


FIG. 7

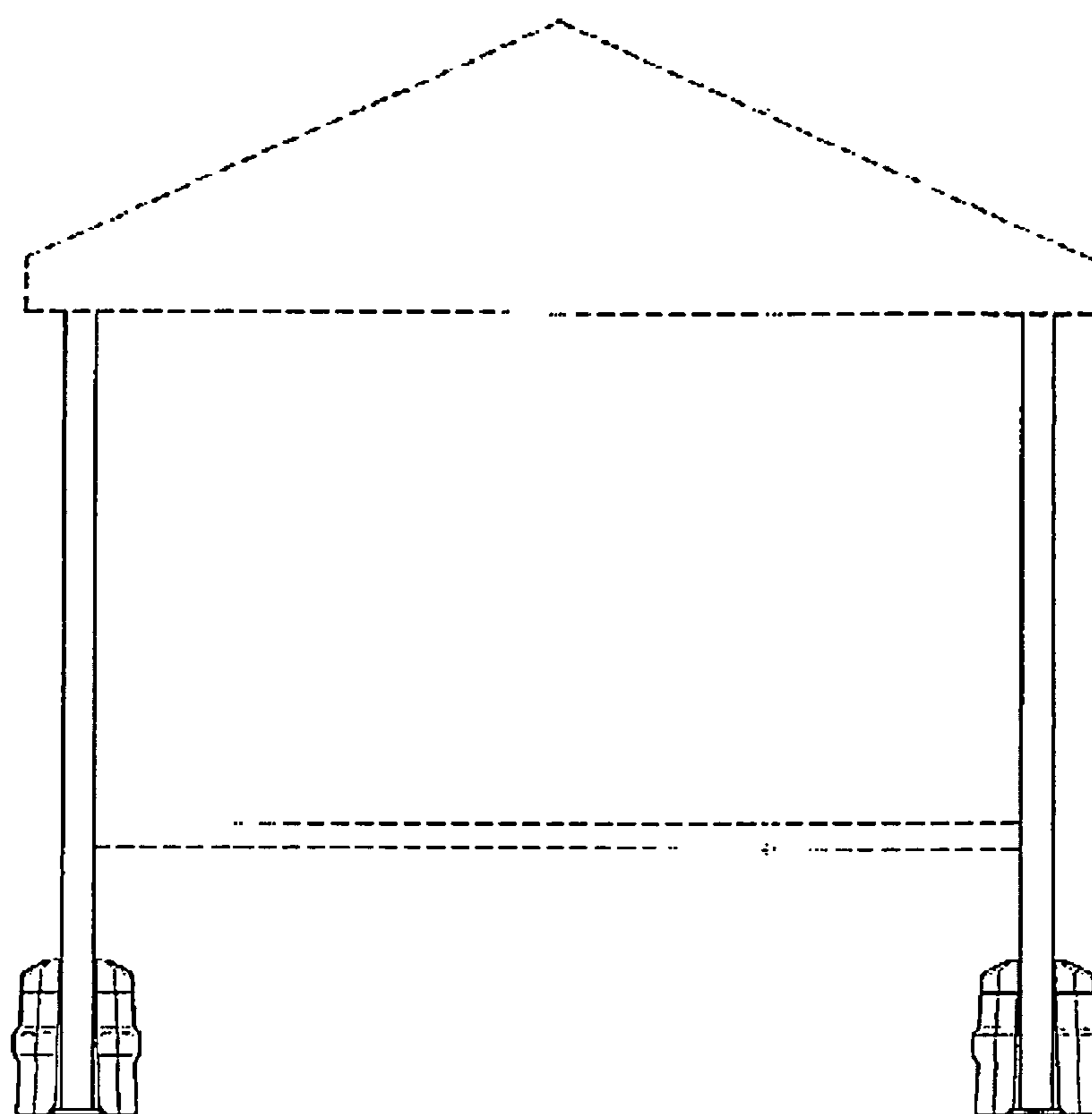


FIG. 8

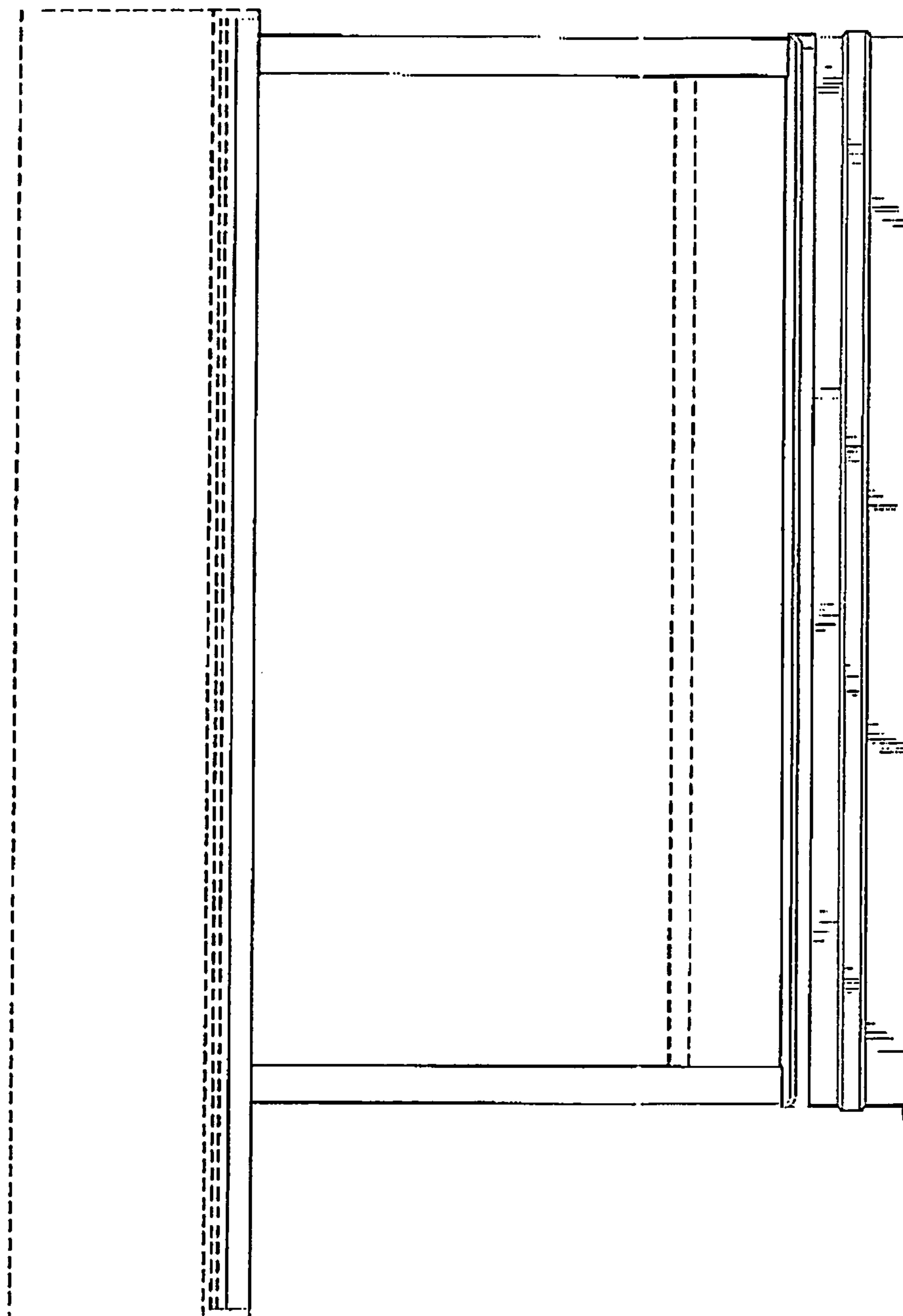


FIG. 9

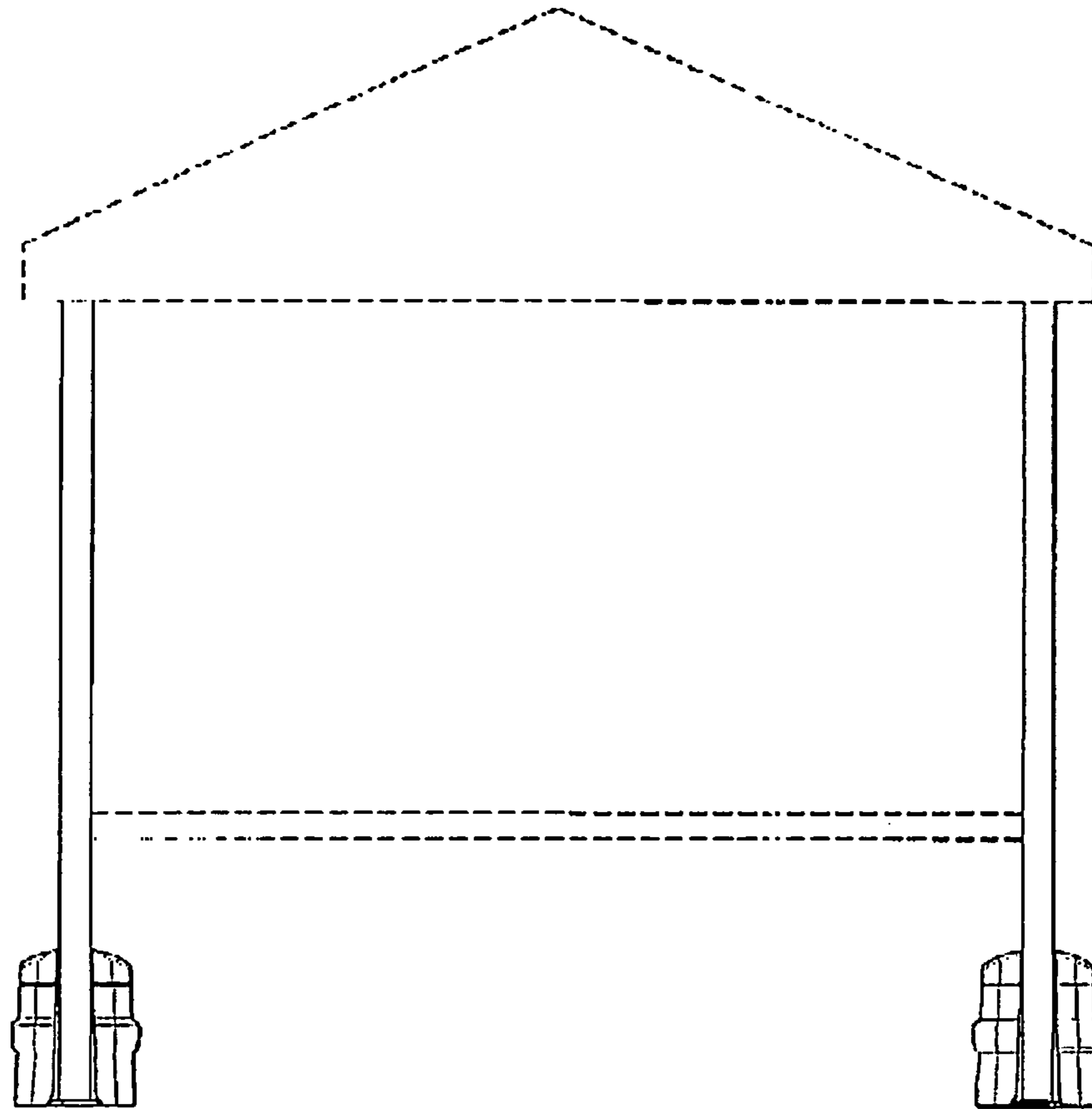


FIG. 10

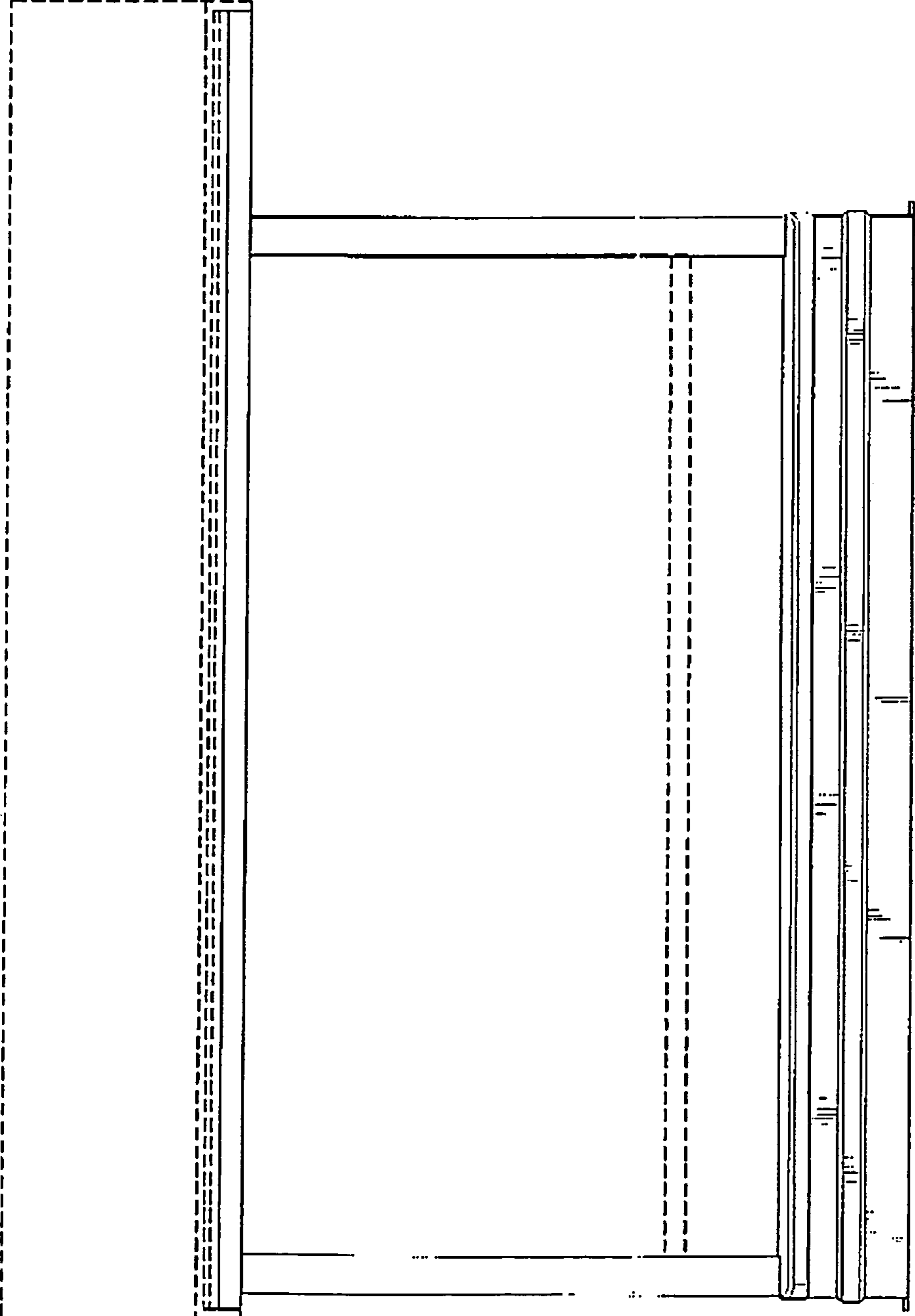


FIG. 11

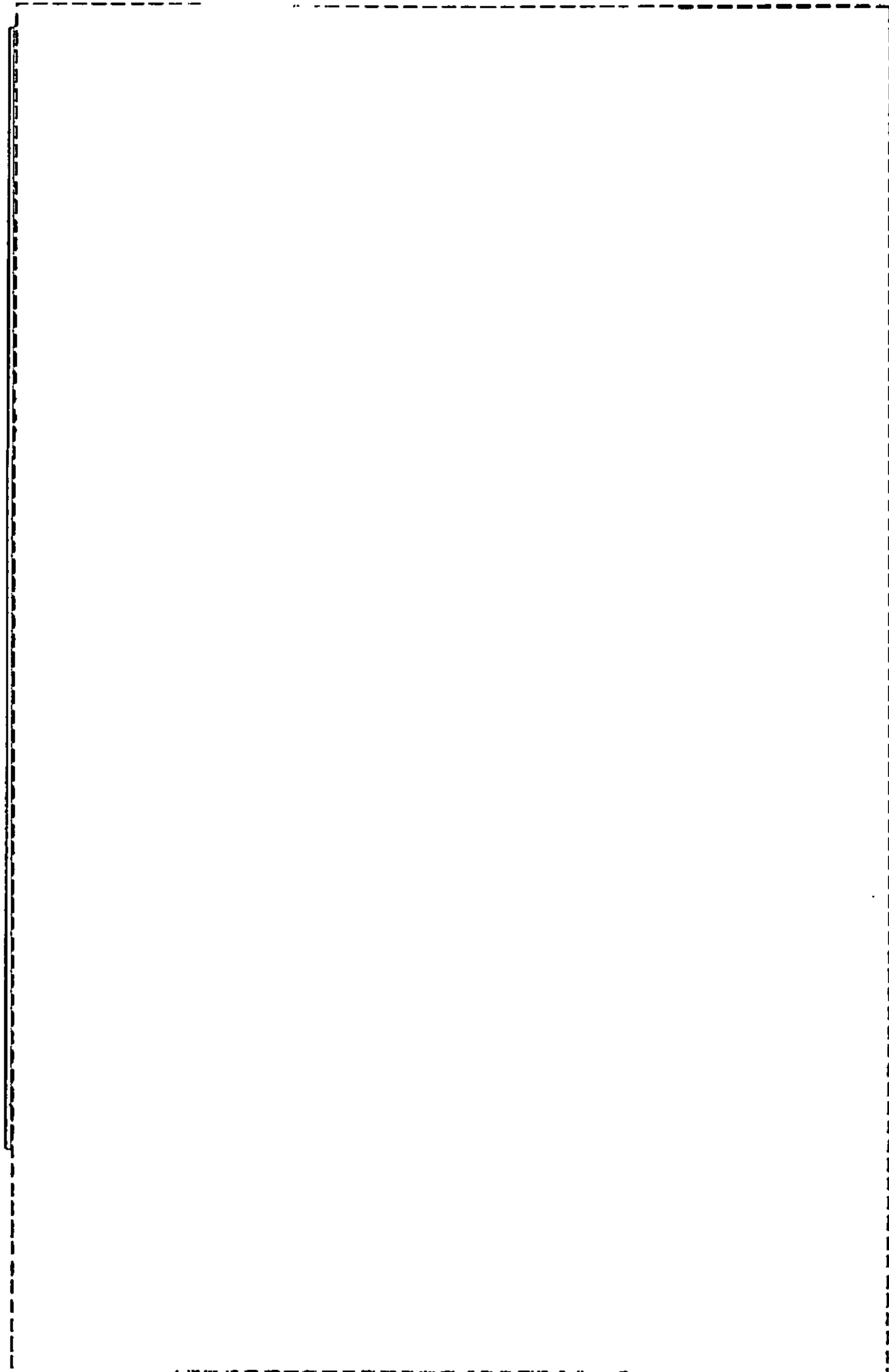


FIG. 12