



US00D701320S

(12) **United States Design Patent**  
**Quilter et al.**

(10) **Patent No.:** **US D701,320 S**  
(45) **Date of Patent:** **\*\* Mar. 18, 2014**

(54) **ADAPTABLE HOUSING FOR MOBILE  
DEVICE BASED DRUG TESTING**

(75) Inventors: **Eric J. Quilter**, Park City, UT (US);  
**James Steven Buckmiller**, Salt Lake  
City, UT (US); **Scott M. Clark**, Cape  
Elizabeth, ME (US)

(73) Assignee: **Compliance Software, Inc.**, Salt Lake  
City, UT (US)

(\*\*) Term: **14 Years**

(21) Appl. No.: **29/419,180**

(22) Filed: **Apr. 25, 2012**

(51) **LOC (10) Cl.** ..... **24-01**

(52) **U.S. Cl.**  
USPC ..... **D24/216; D24/186**

(58) **Field of Classification Search**  
USPC ..... D24/216, 217, 219, 223, 231, 232, 233,  
D24/107, 169, 186, 128, 227; D10/81;  
422/62-65, 67, 500, 547; 436/43, 45,  
436/47; 435/287.1, 287.3; D14/432, 433,  
D14/434, 447, 217; D13/107; 248/918  
See application file for complete search history.

(56) **References Cited**

**U.S. PATENT DOCUMENTS**

D275,788 S \* 10/1984 Givner et al. .... D24/223  
D355,493 S \* 2/1995 Gropper et al. .... D24/216

D617,666 S \* 6/2010 Stowers et al. .... D10/81  
D625,014 S \* 10/2010 Hansen et al. .... D24/186  
D625,015 S \* 10/2010 Hansen et al. .... D24/186  
D629,805 S \* 12/2010 Nysen et al. .... D14/433  
D654,597 S \* 2/2012 Hiramura ..... D24/186  
D661,810 S \* 6/2012 Zanoni et al. .... D24/186

\* cited by examiner

*Primary Examiner* — Anhdao Doan

(74) *Attorney, Agent, or Firm* — Workman Nydegger

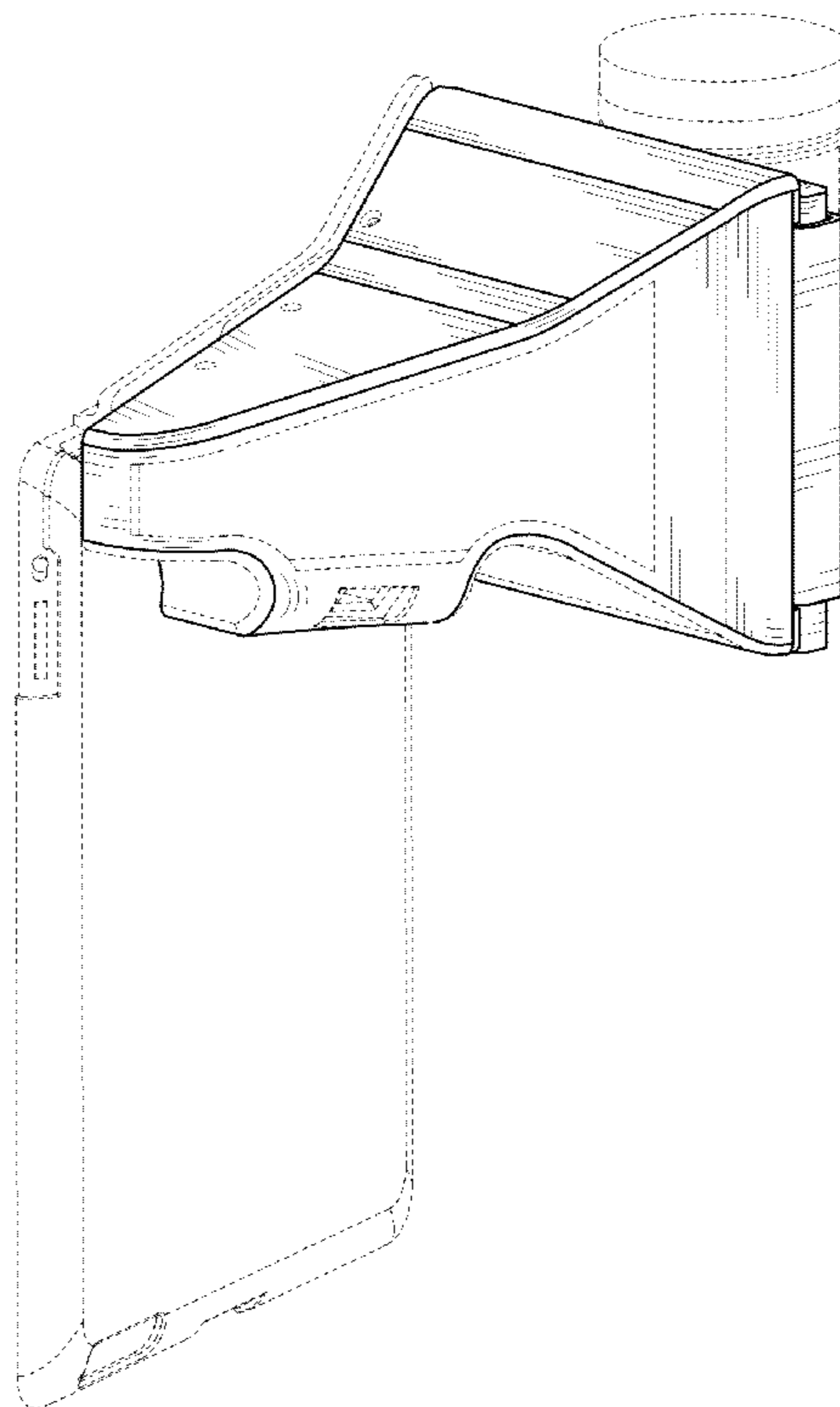
(57) **CLAIM**

The ornamental design for an adaptable housing for mobile  
device based drug testing, as shown and described.

**DESCRIPTION**

FIG. 1 is a perspective view of an adaptable housing for  
mobile device based drug testing incorporating our new  
design secured to a first mobile device;  
FIG. 2 is a rear elevational view thereof;  
FIG. 3 is a front elevational view thereof;  
FIG. 4 is a left-side elevational view thereof;  
FIG. 5 is a right-side elevational view thereof;  
FIG. 6 is a top plan view thereof;  
FIG. 7 is a bottom plan view thereof;  
FIG. 8 is an exploded view thereof;  
FIG. 9 is a perspective view of thereof secured to a second  
mobile device; and,  
FIG. 10 is an exploded view thereof.  
The broken lines included in the drawings are for illustrative  
or environmental purposes and form no part of the claimed  
design.

**1 Claim, 9 Drawing Sheets**



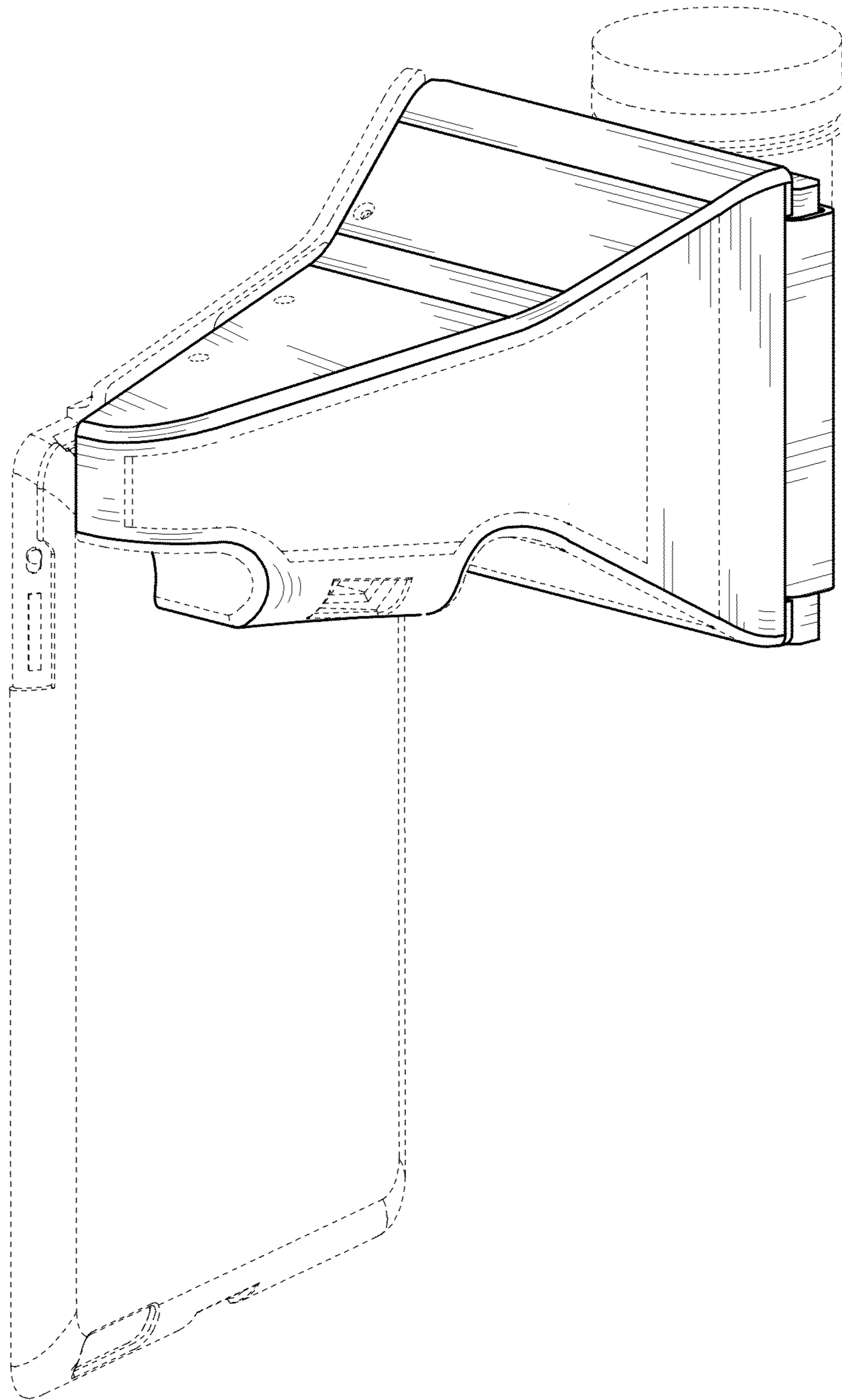


FIG. 1

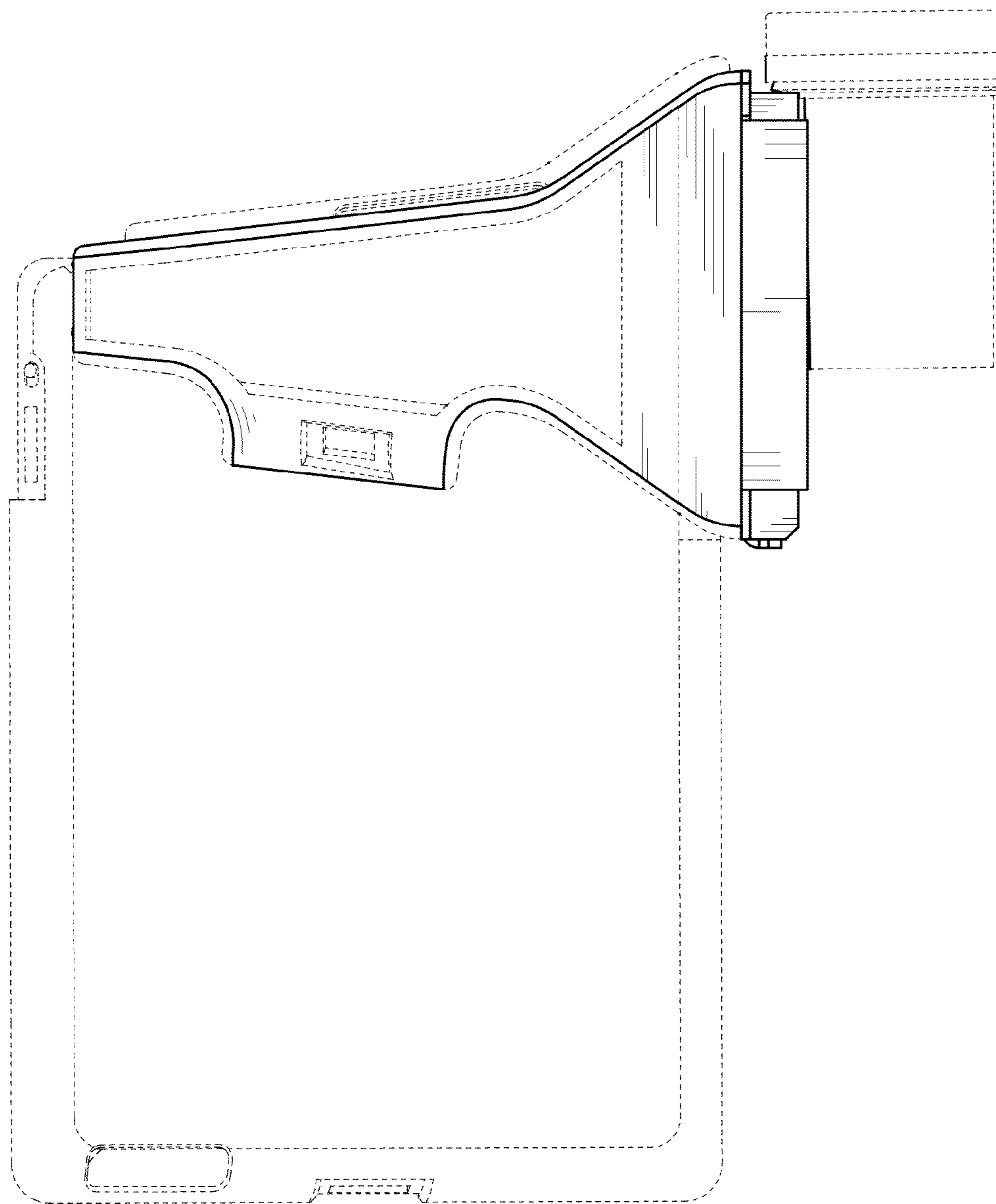


FIG. 2

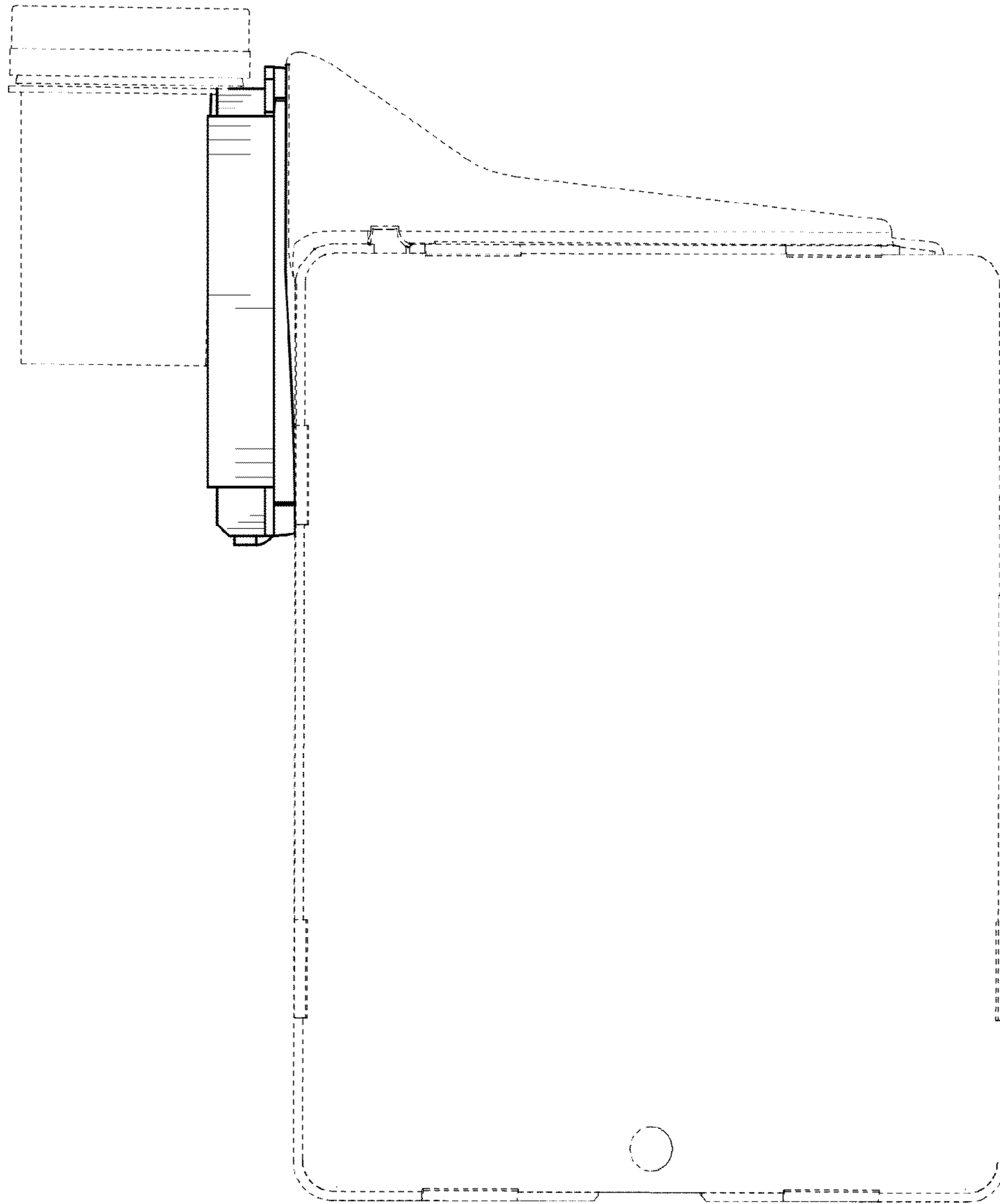


FIG. 3

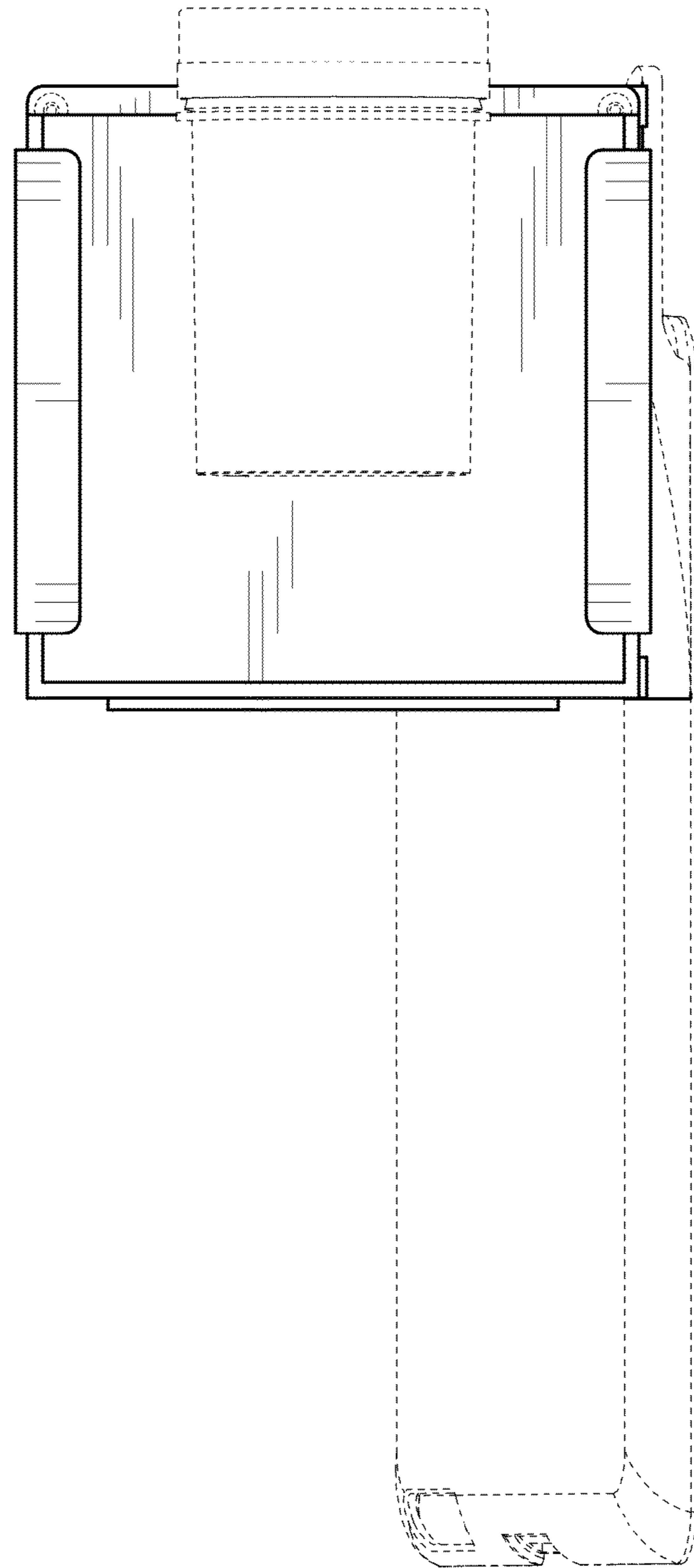


FIG. 4

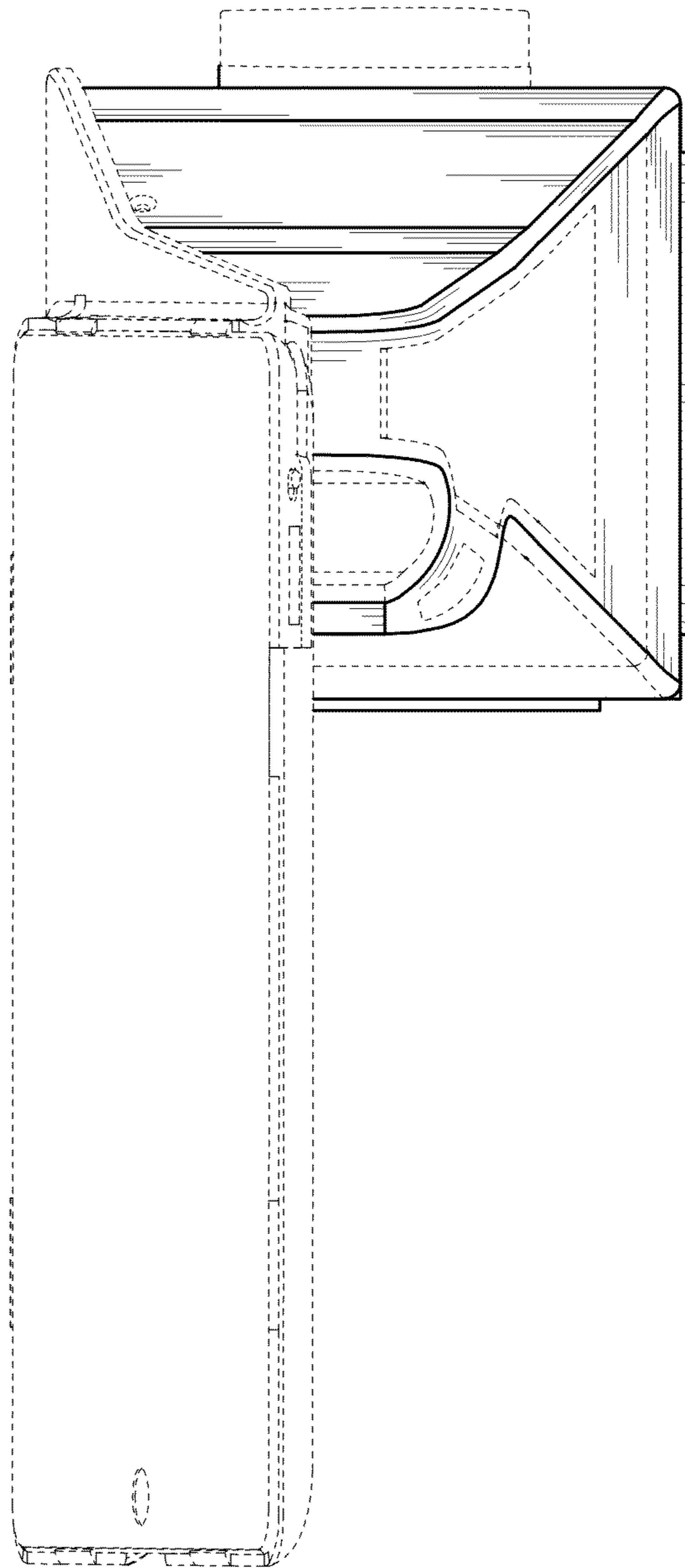


FIG. 5

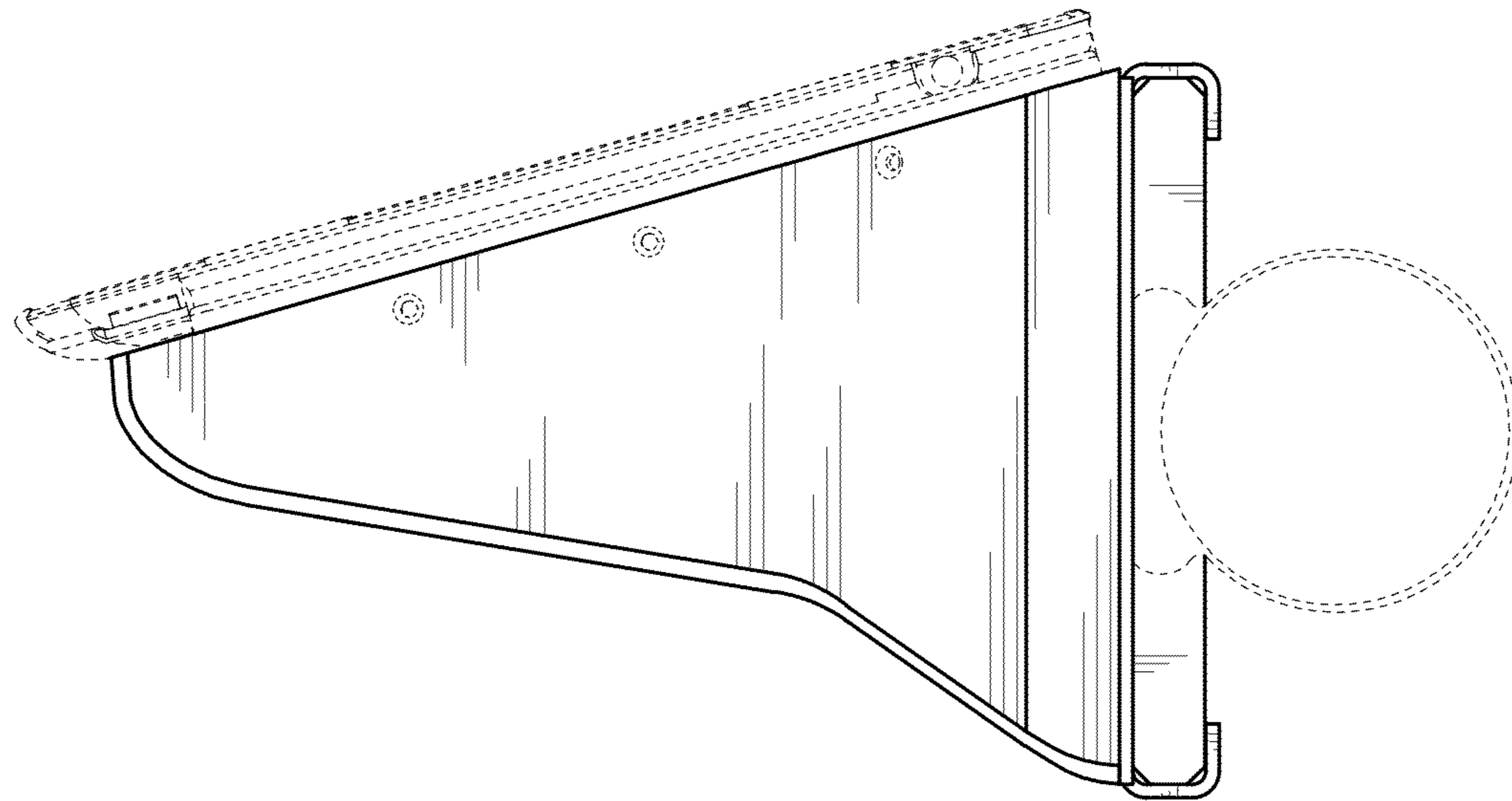


FIG. 6

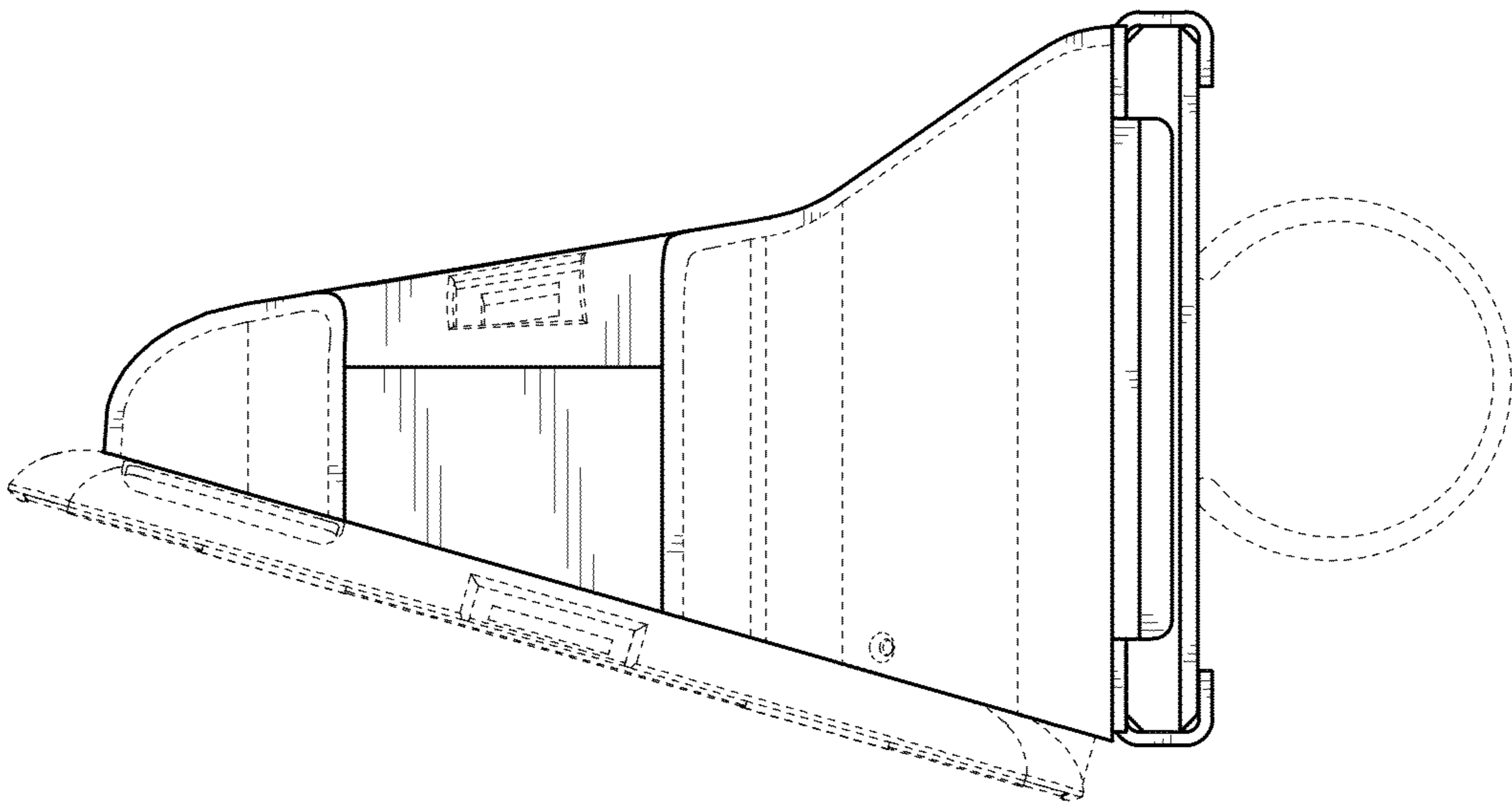
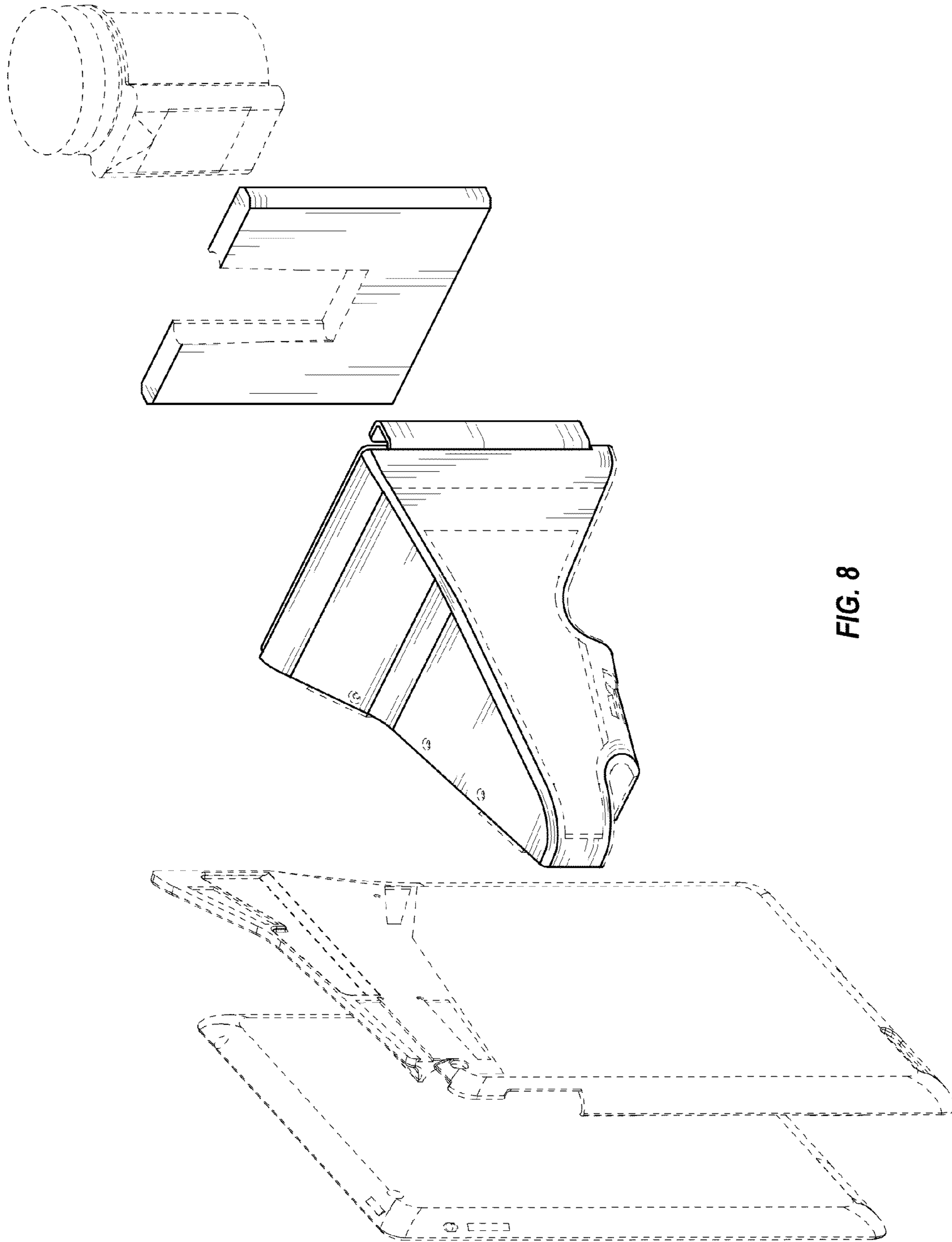


FIG. 7





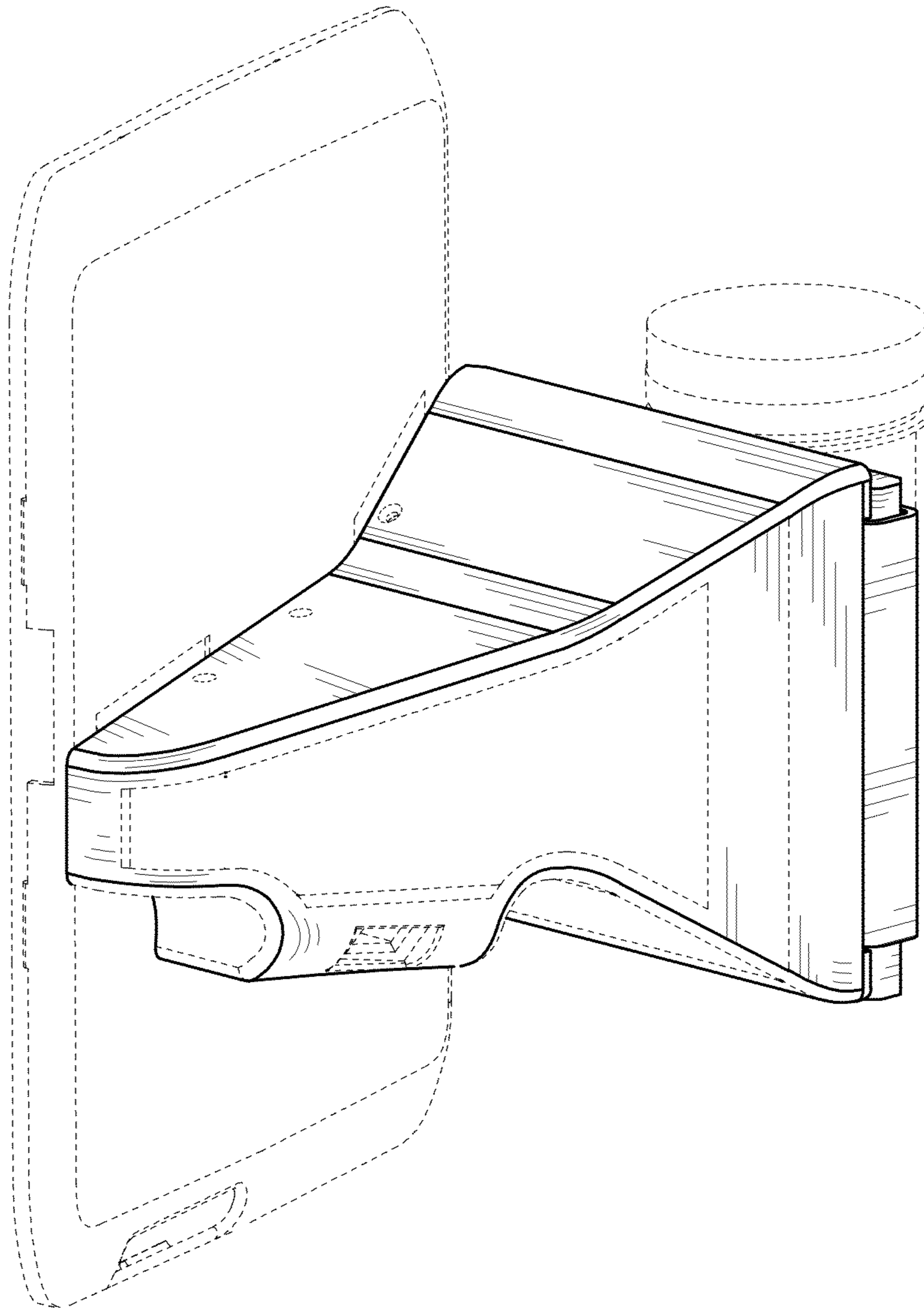


FIG. 9

