

US00D701319S

(12) **United States Design Patent**
Meziere

(10) **Patent No.:** **US D701,319 S**
(45) **Date of Patent:** **** *Mar. 18, 2014**

(54) **BIO IMAGING DEVICE**

(75) Inventor: **Cyril Meziere**, Villeurbanne (FR)

(73) Assignee: **bioMerieux Societe Anonyme a Conseil d'Administration**, Marcy l'Etoile (FR)

(*) Notice: This patent is subject to a terminal disclaimer.

(**) Term: **14 Years**

(21) Appl. No.: **29/395,784**

(22) Filed: **Mar. 29, 2012**

(51) **LOC (10) Cl.** **24-01**

(52) **U.S. Cl.**
USPC **D24/216**

(58) **Field of Classification Search**
USPC D24/216, 217, 219, 223, 231, 232, 233,
D24/107, 169, 186, 158; D10/81;
422/62-65, 67, 500, 547; 436/43, 45,
436/47; 435/287.1, 287.3, 288.7, 808;
D16/130, 131; 356/302-305
See application file for complete search history.

(56) **References Cited**

U.S. PATENT DOCUMENTS

D377,455 S	*	1/1997	Burchard et al.	D24/169
D410,080 S	*	5/1999	Heidsiek et al.	D24/107
D503,808 S	*	4/2005	Stokes et al.	D24/216
D515,707 S	*	2/2006	Shinohara et al.	D24/216
D630,535 S	*	1/2011	Hoshino	D10/81
D648,035 S	*	11/2011	Philipak et al.	D24/216
D662,431 S	*	6/2012	Kimura	D10/81

D670,400 S	*	11/2012	O'Sullivan et al.	D24/216
D674,830 S	*	1/2013	Stoiakine	D16/131
2007/0077550 A1	*	4/2007	Tohma et al.	435/287.1

OTHER PUBLICATIONS

U.S. Appl. No. 29/416,997, Meziere, C.

* cited by examiner

Primary Examiner — Anhdao Doan

(74) *Attorney, Agent, or Firm* — Winstead PC

(57) **CLAIM**

The ornamental design for a bio imaging device, as shown and described.

DESCRIPTION

This patent application incorporates by reference the disclosure of a US design patent application entitled Bio Imaging Device filed on today's date as application Ser. No. 29/416,997.

The file of this patent contains at least one drawing/photograph executed in color. Copies of this patent with color drawing(s)/photographs(s) will be provided by the Office upon request and payment of the necessary fee.

FIG. 1 is a front view of the bio imaging device, showing the new design in color;

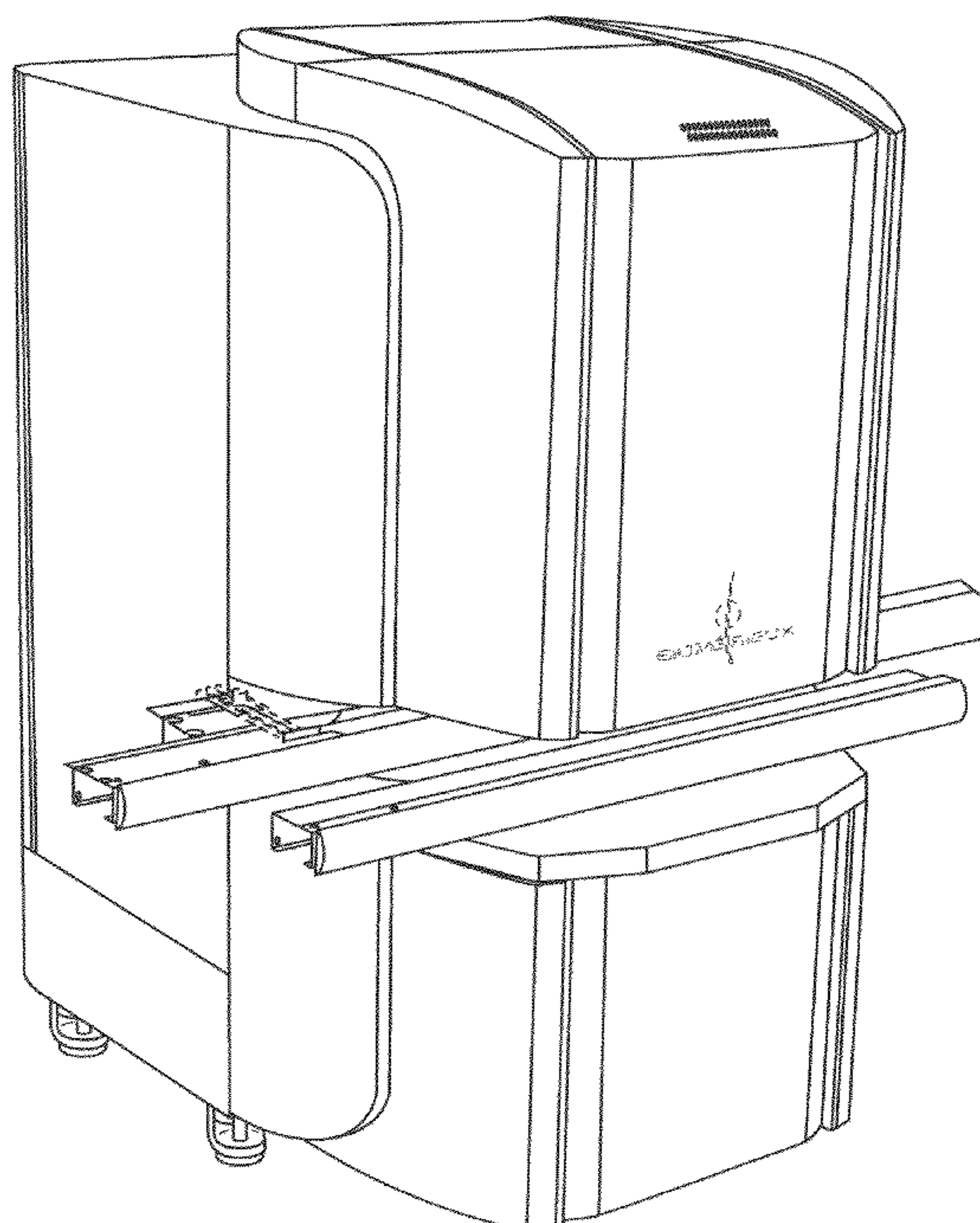
FIG. 2 is a perspective view thereof in color;

FIG. 3 is a front view of the bio imaging device, showing the new design; and,

FIG. 4 is a perspective view thereof.

The text BIOMERIEUX and accompanying logo visible in the FIGURES form no part of the claimed design.

1 Claim, 4 Drawing Sheets
(2 of 4 Drawing Sheet(s) Filed in Color)



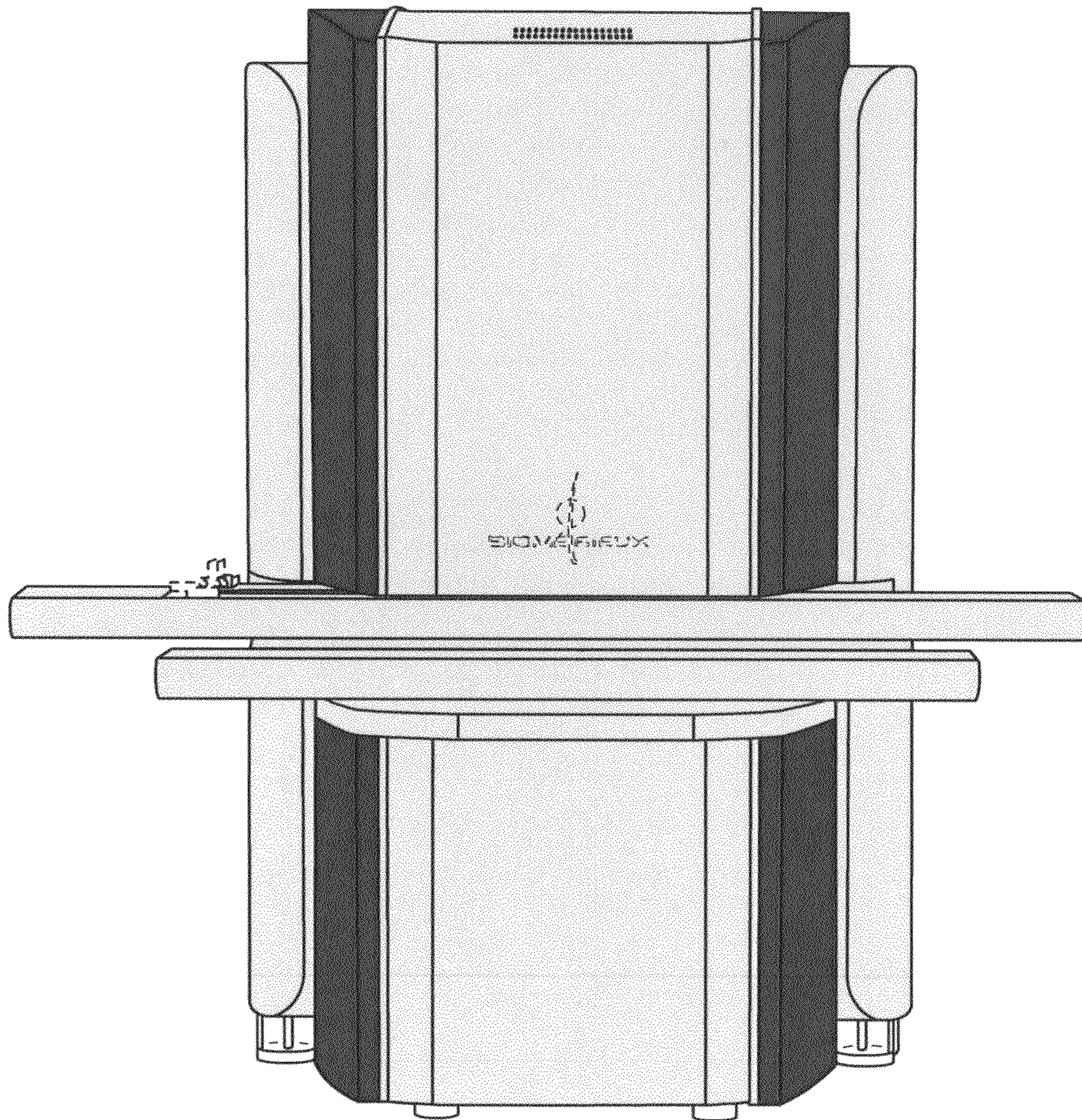


FIG. 1

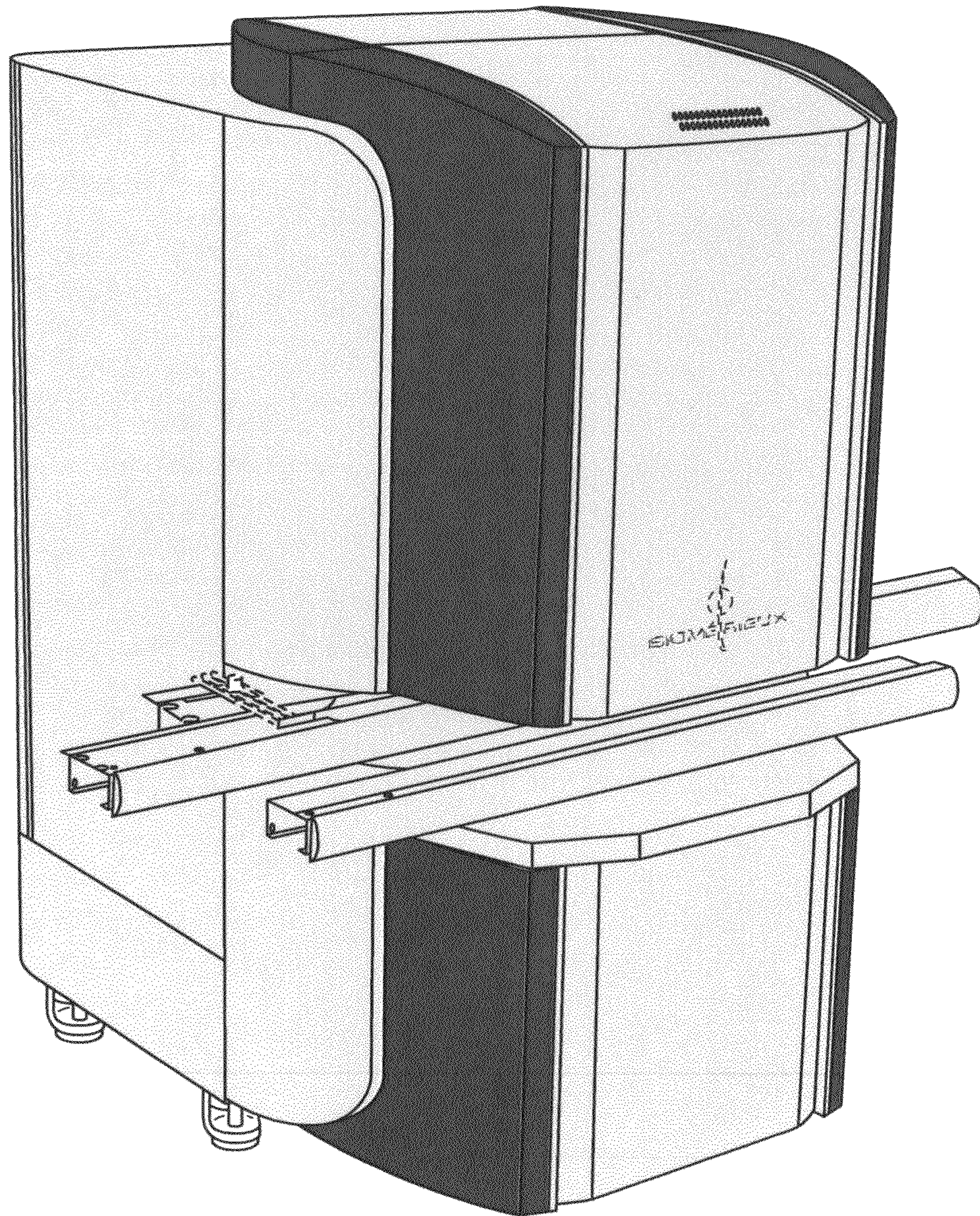


FIG. 2

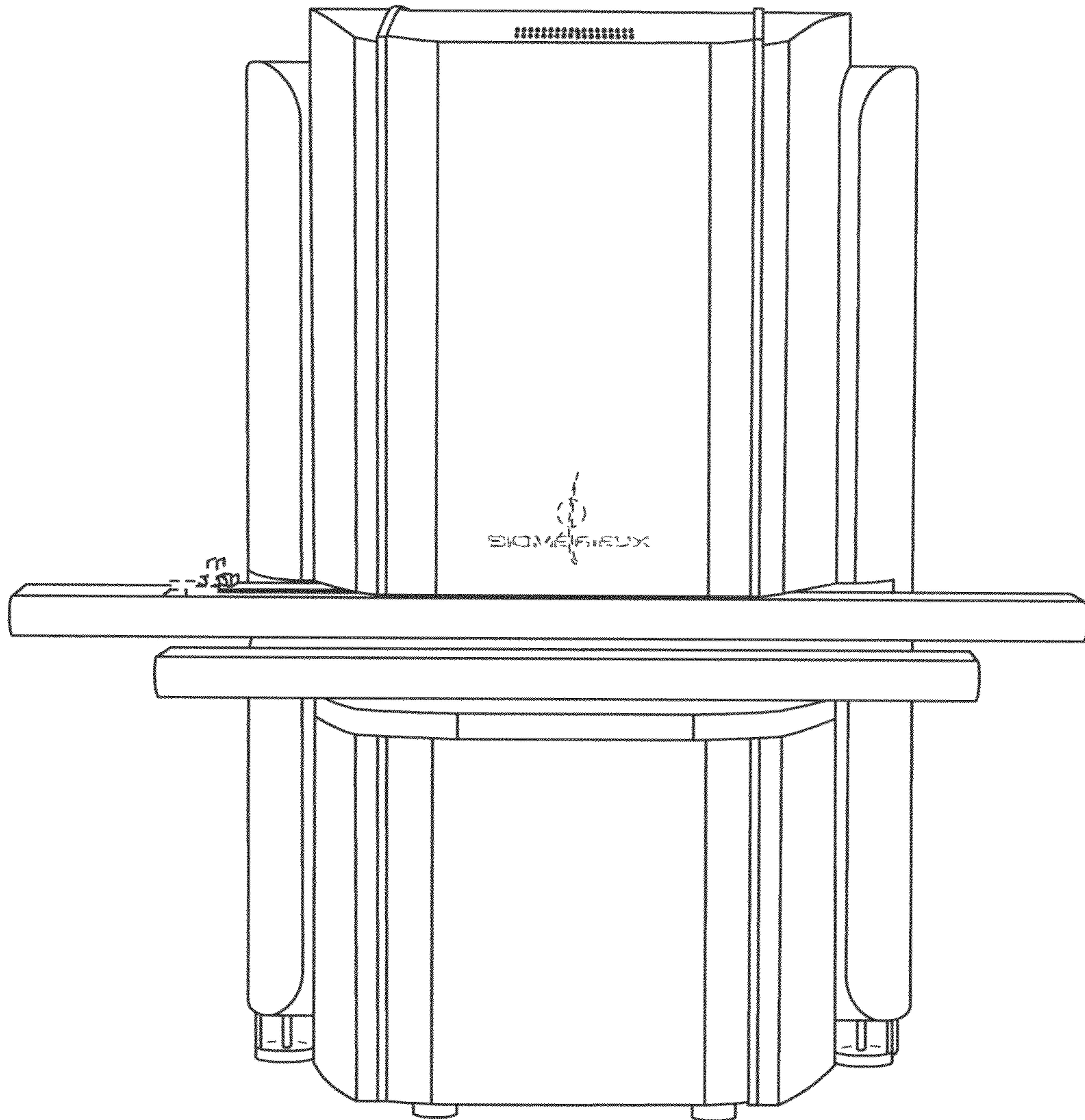


FIG. 3

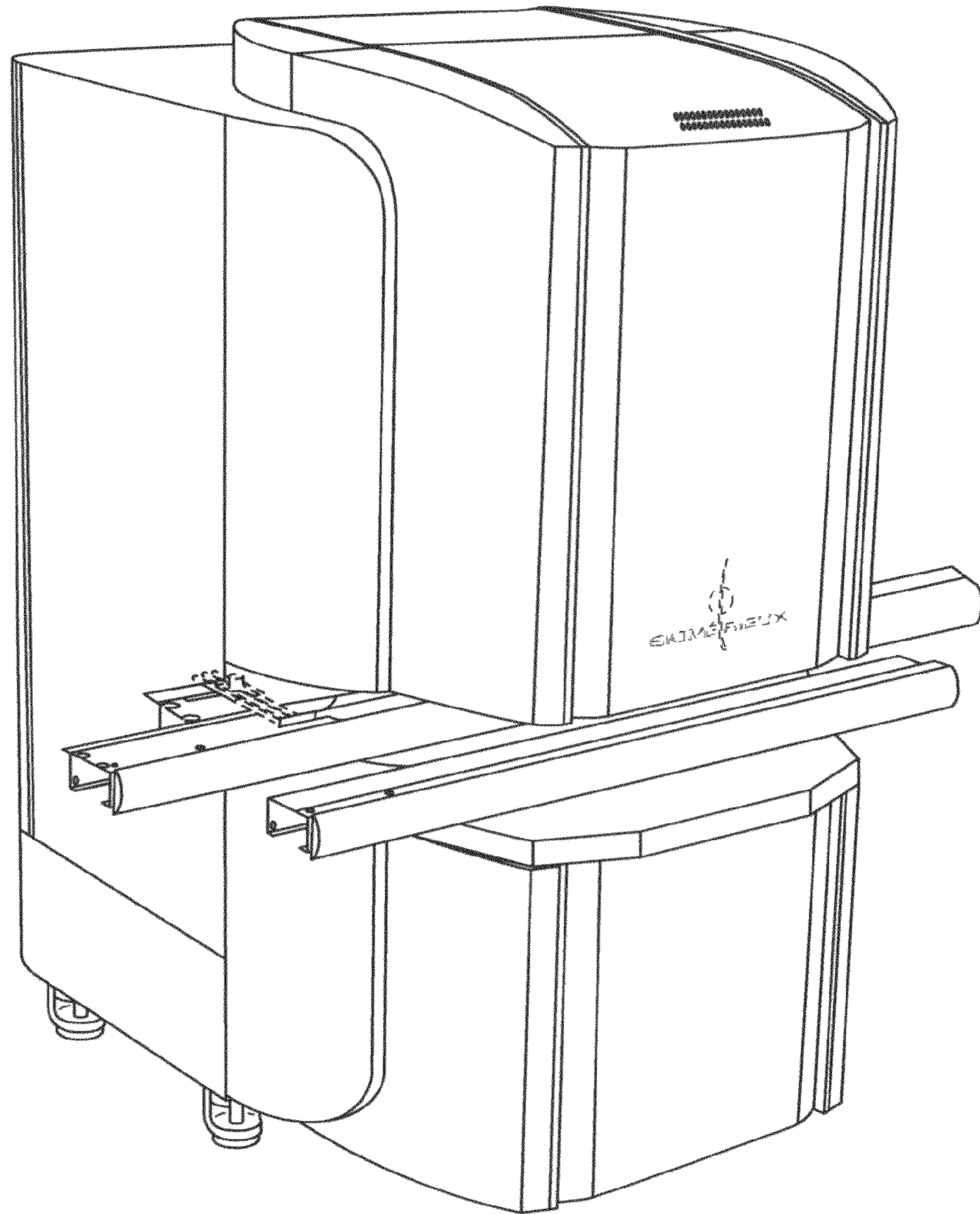


FIG. 4