



US00D701316S

(12) **United States Design Patent**
Buckley

(10) **Patent No.:** **US D701,316 S**
(45) **Date of Patent:** **** Mar. 18, 2014**

(54) **CARTRIDGE FOR RESPIRATORY APPARATUS**

(75) Inventor: **Daniel John Buckley**, Wokingham (GB)

(73) Assignee: **Intersurgical AG**, Vaduz (LI)

(**) Term: **14 Years**

(21) Appl. No.: **29/420,946**

(22) Filed: **May 15, 2012**

(30) **Foreign Application Priority Data**

Nov. 15, 2011 (EP) 001947490

(51) **LOC (10) Cl.** **24-00**

(52) **U.S. Cl.**
USPC **D24/164**

(58) **Field of Classification Search**
USPC D24/163, 164, 110, 110.5, 110.6, 167,
D24/186, 185, 231, 234, 129, 118; 600/424,
600/426, 407, 484, 534, 390, 533; 606/96,
606/97, 98; 95/96, 121
See application file for complete search history.

(56) **References Cited**

U.S. PATENT DOCUMENTS

4,212,846	A	7/1980	Wise	
D436,401	S *	1/2001	Remes et al.	D24/164
D437,056	S *	1/2001	Remes et al.	D24/164
D550,360	S *	9/2007	McCombs et al.	D24/164
D568,999	S *	5/2008	McGroary et al.	D24/164
D572,365	S *	7/2008	Bonnell et al.	D24/164
7,487,776	B2	2/2009	Kleinschmidt	
7,850,765	B2	12/2010	Kleinschmidt	
D634,429	S	3/2011	Nordgren et al.	
D653,760	S *	2/2012	Johnson	D24/164
D660,434	S *	5/2012	Basford et al.	D24/164
2008/0295841	A1	12/2008	Lischinski	
2008/0295844	A1	12/2008	Turker et al.	

FOREIGN PATENT DOCUMENTS

EM 000825658-0008 12/2007
EP 000628375-0001 1/2007

* cited by examiner

Primary Examiner — Robert M Spear
Assistant Examiner — Rhea Shields

(74) *Attorney, Agent, or Firm* — LeClairRyan, a Professional Corporation

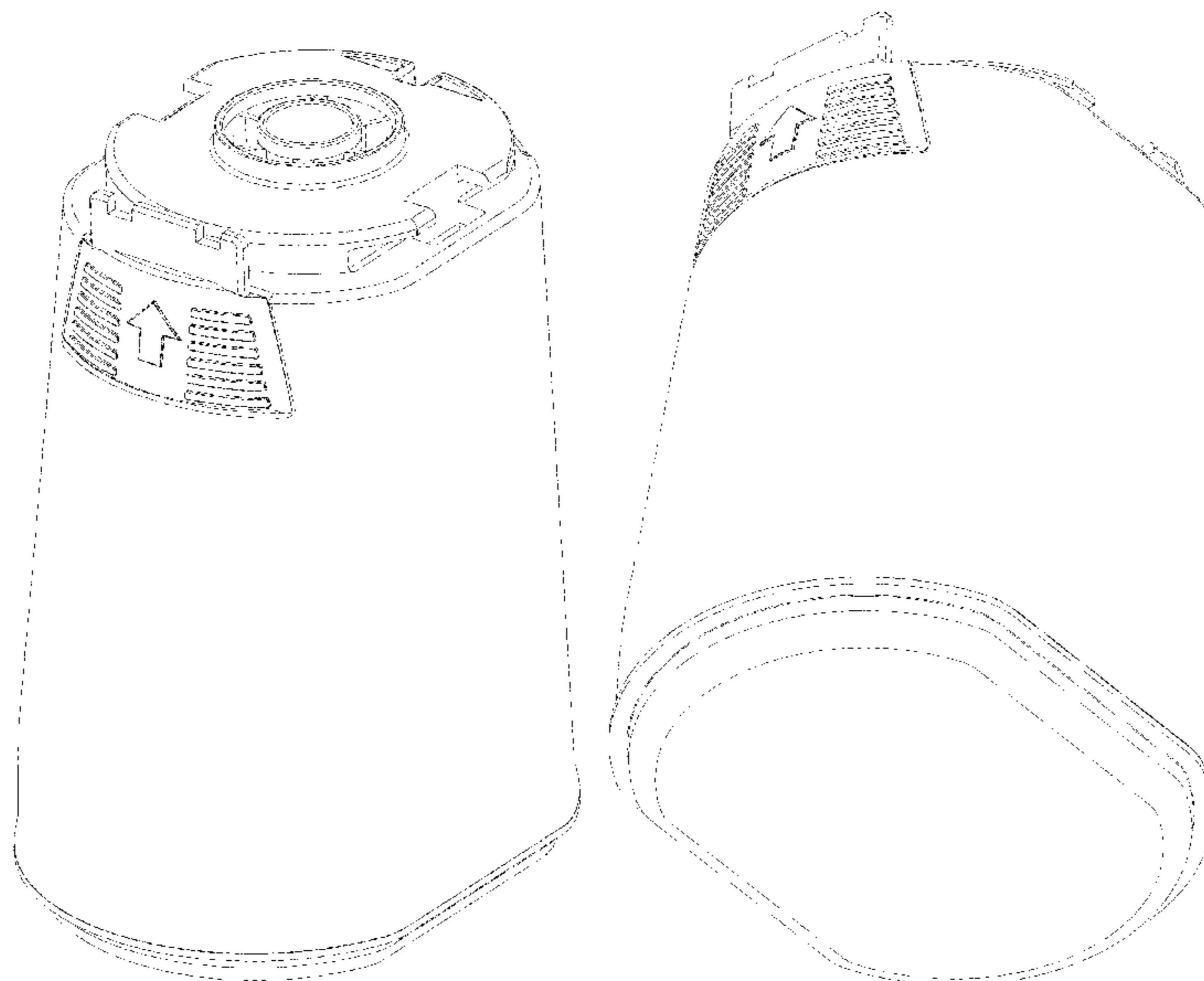
(57) **CLAIM**

The ornamental design for a cartridge for respiratory apparatus, as shown and described.

DESCRIPTION

FIG. 1 is a front elevational view of a cartridge for respiratory apparatus.
FIG. 2 is a rear elevational view of the cartridge for respiratory apparatus shown in FIG. 1.
FIG. 3 is a right side elevational view of the cartridge for respiratory apparatus shown in FIG. 1. The left side elevational view is the mirror image of the right side elevational view.
FIG. 4 is a top plan view of the cartridge for respiratory apparatus shown in FIG. 1.
FIG. 5 is a bottom plan view of the cartridge for respiratory apparatus shown in FIG. 1.
FIG. 6 is a front right perspective view of the cartridge for respiratory apparatus shown in FIG. 1.
FIG. 7 is a bottom, front right perspective view of the cartridge for respiratory apparatus shown in FIG. 1.
FIG. 8 is a rear right perspective view of the cartridge for respiratory apparatus shown in FIG. 1; and,
FIG. 9 is bottom, rear right perspective view of the cartridge for respiratory apparatus shown in FIG. 1.

1 Claim, 9 Drawing Sheets



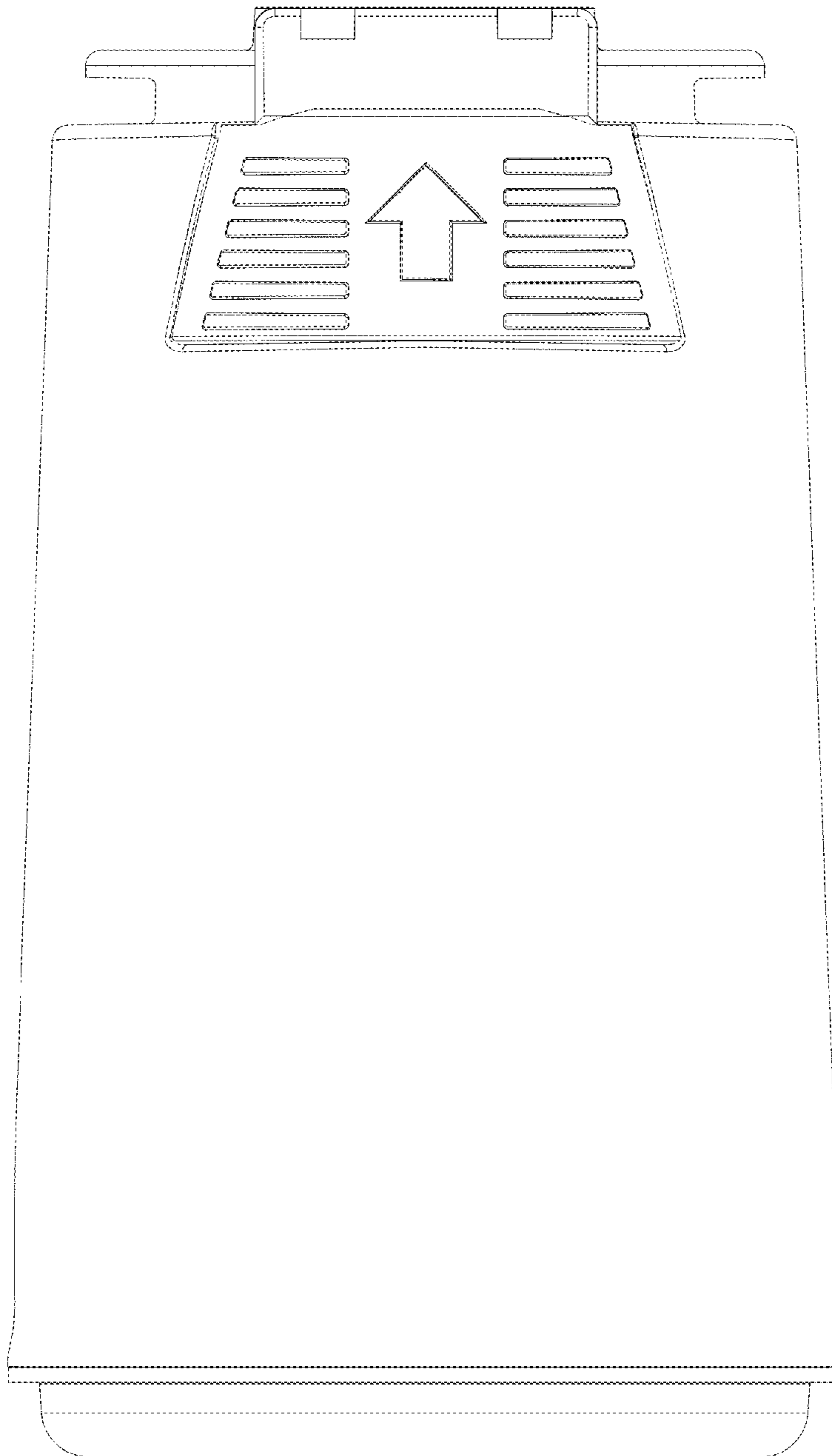


FIG. 1

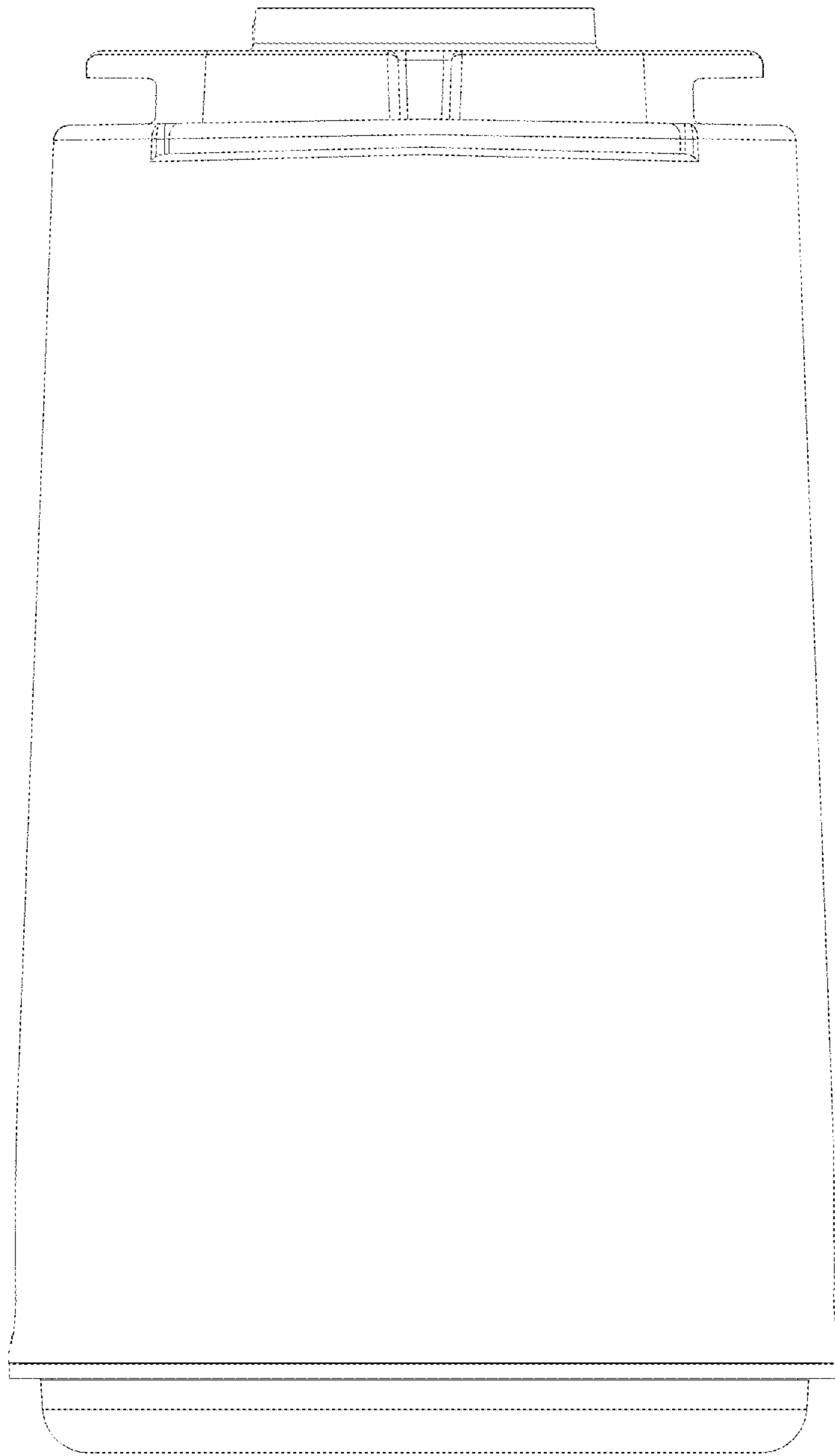


FIG. 2

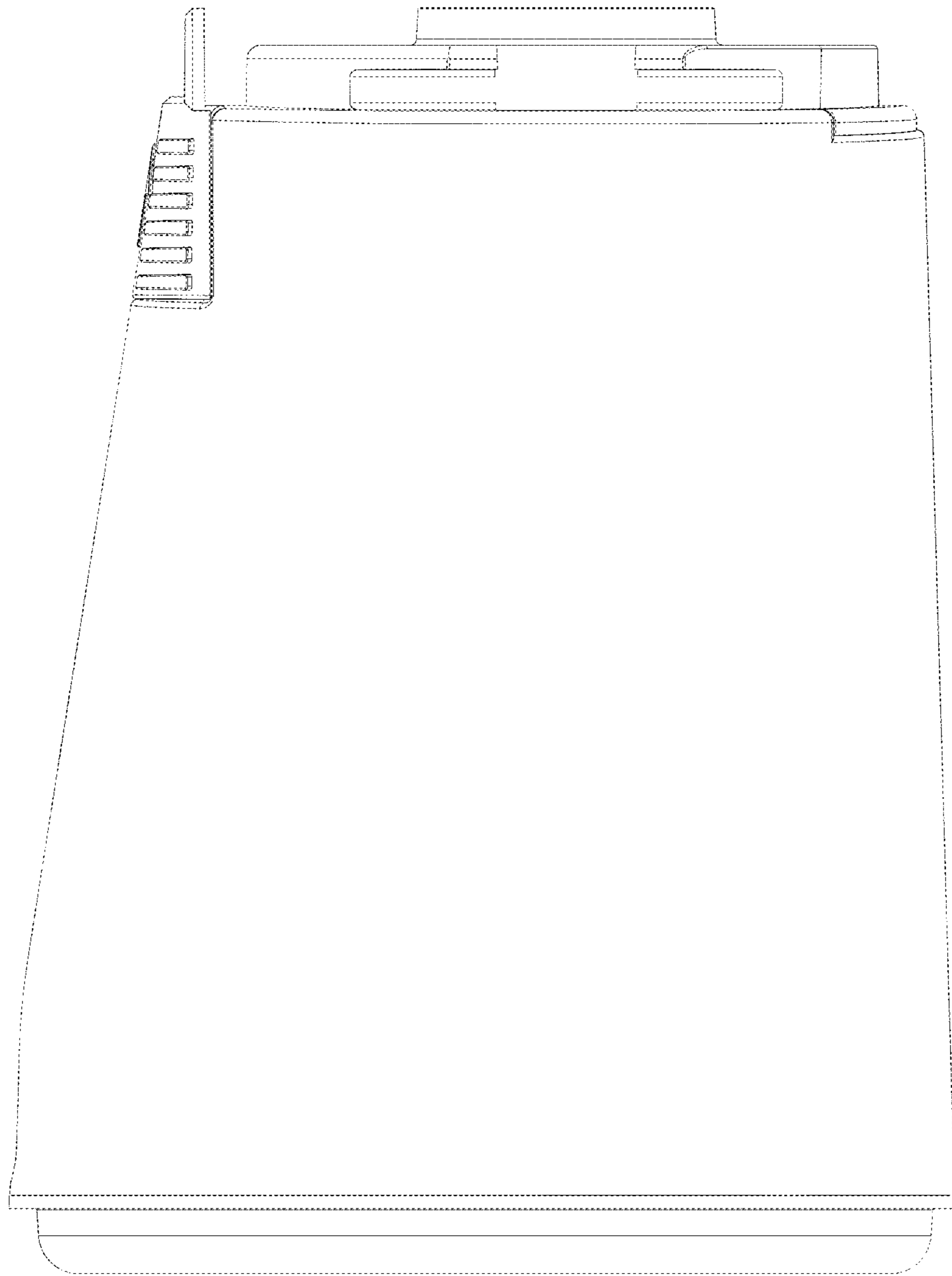


FIG. 3

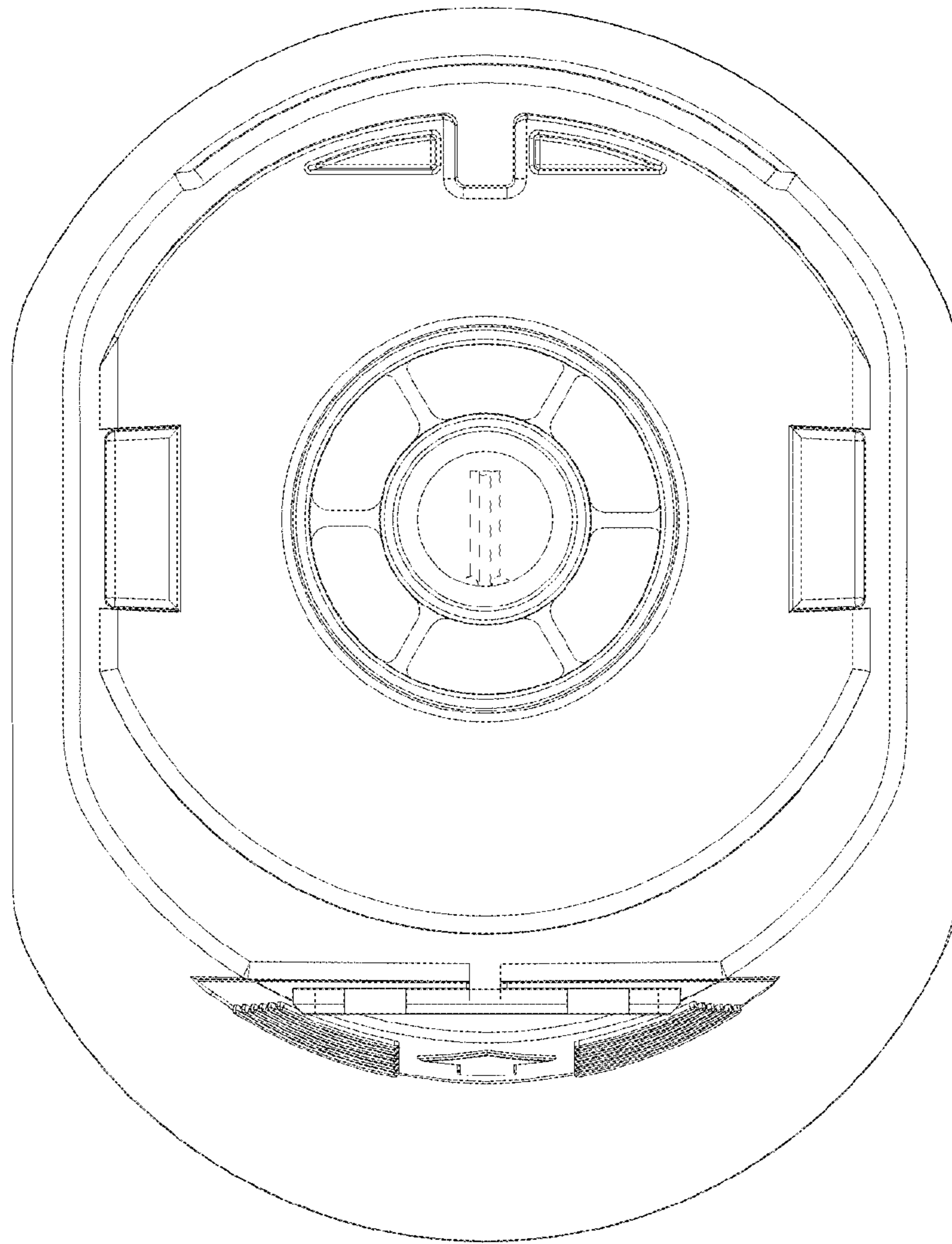


FIG. 4

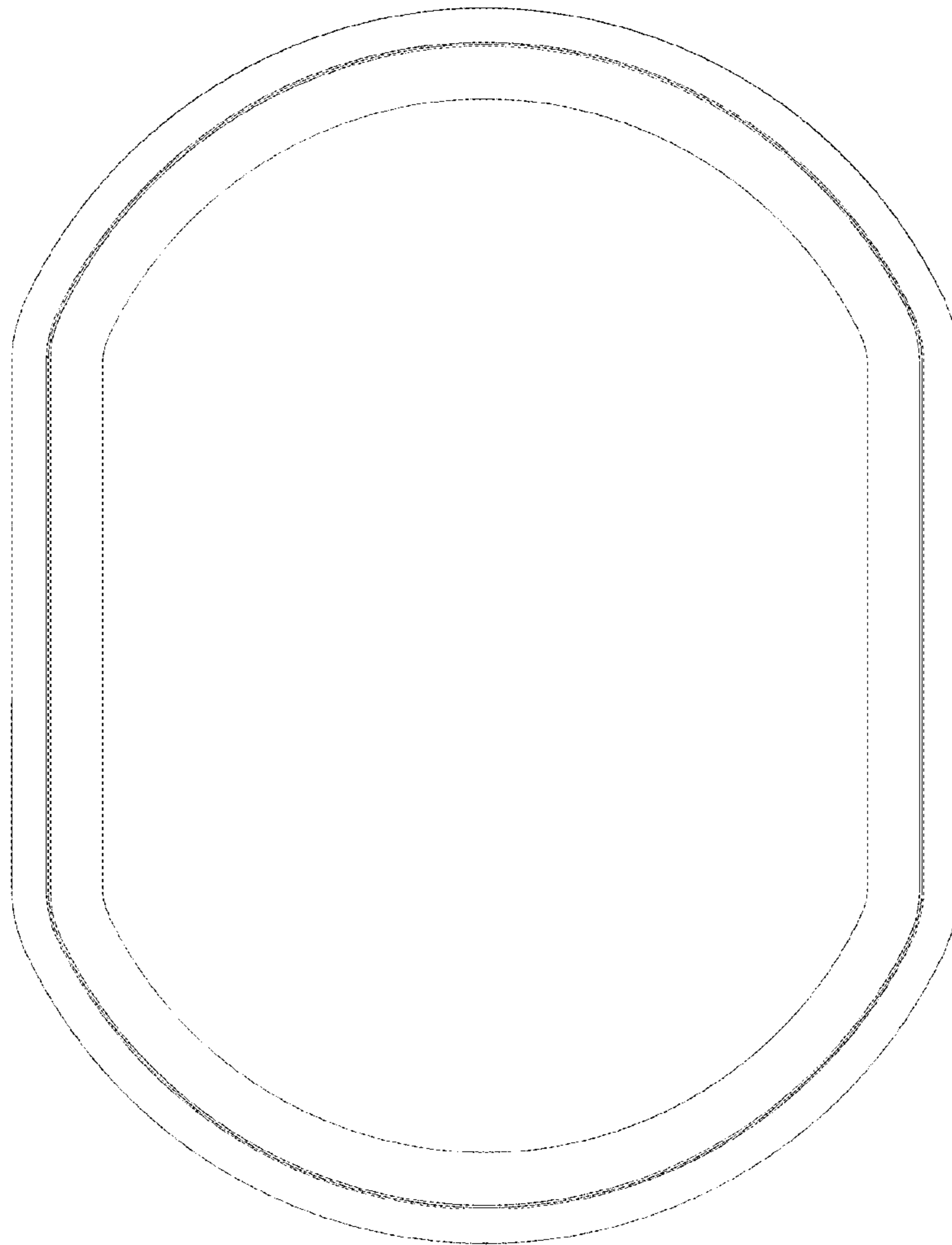


FIG. 5

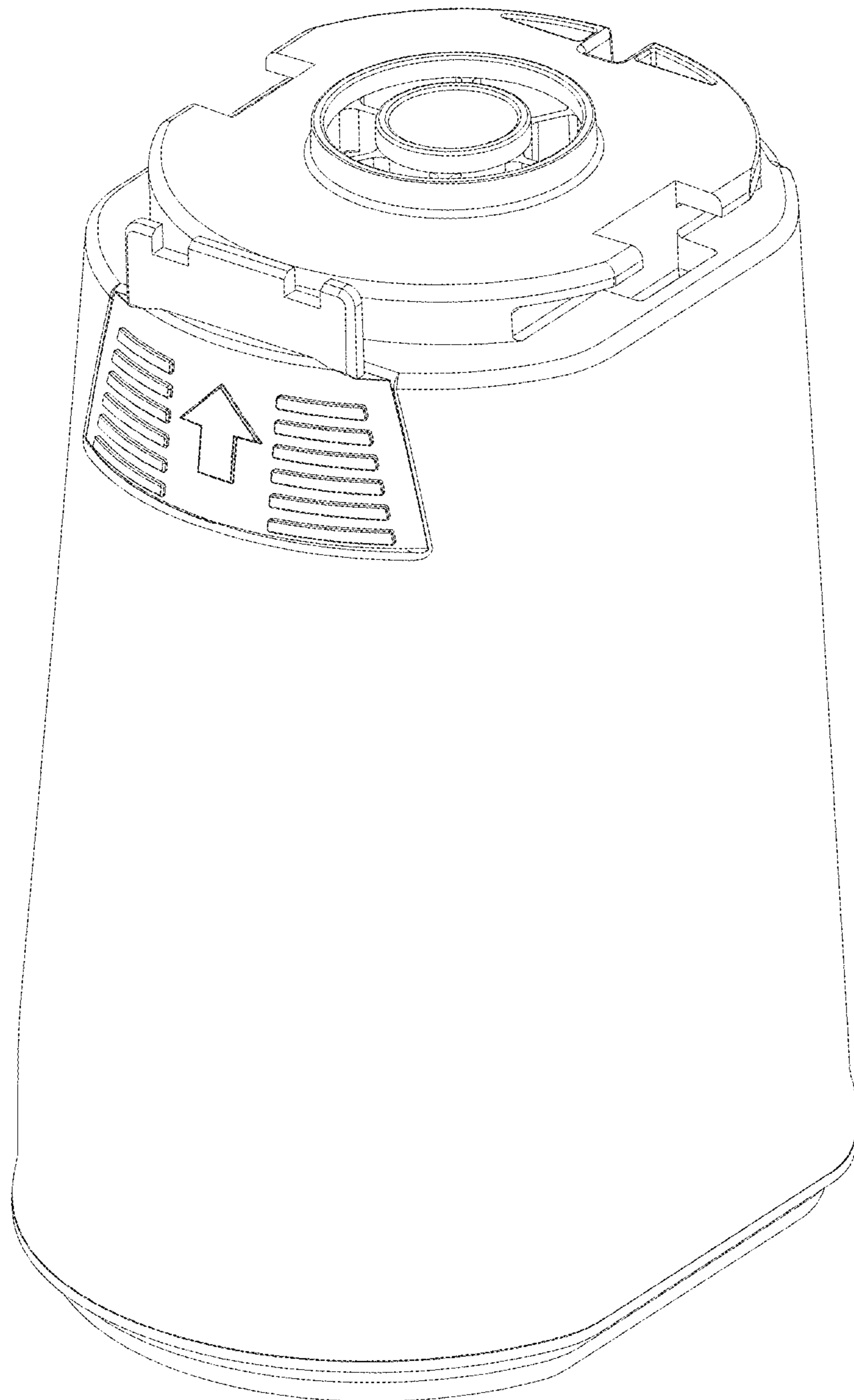


FIG. 6

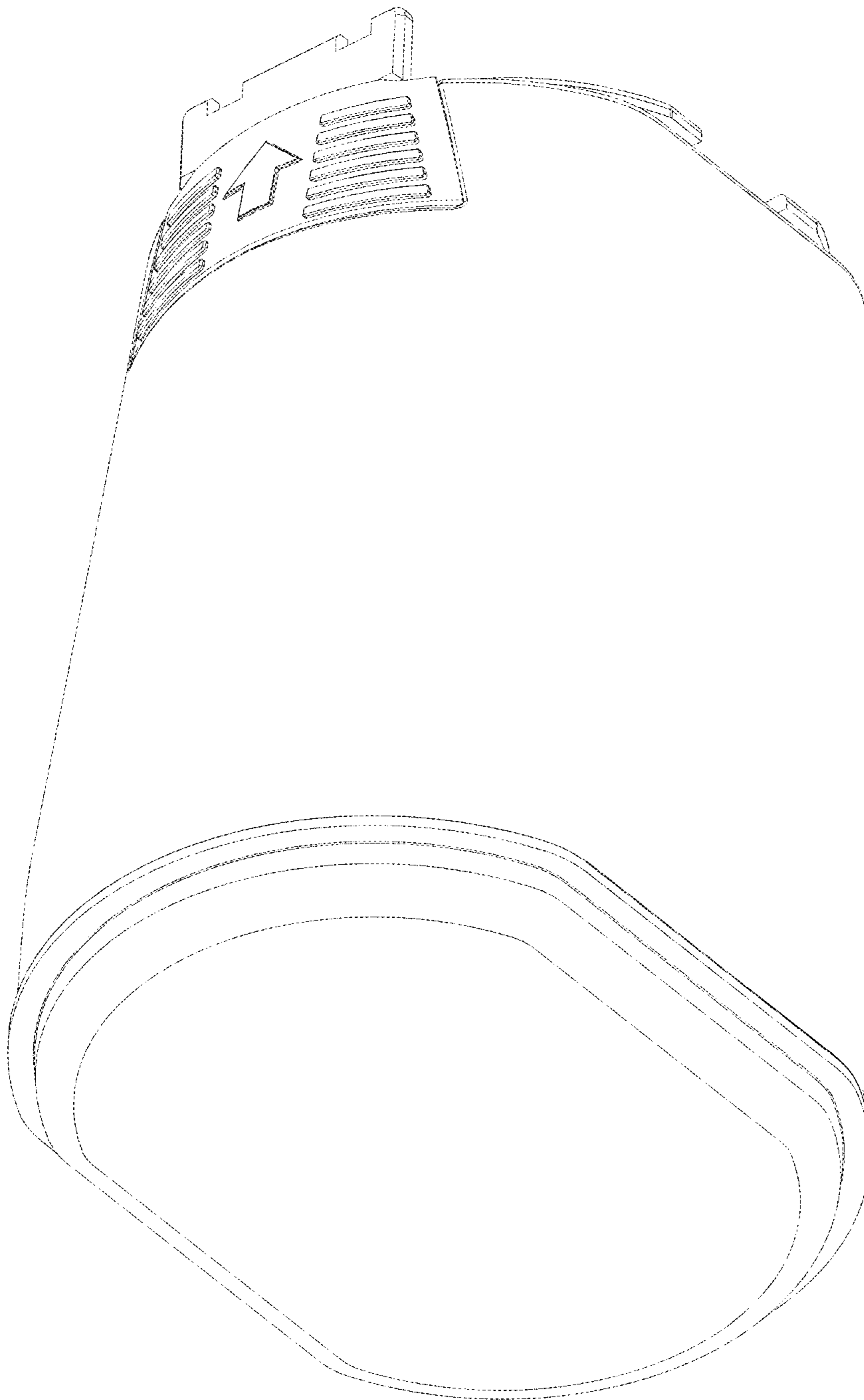


FIG. 7

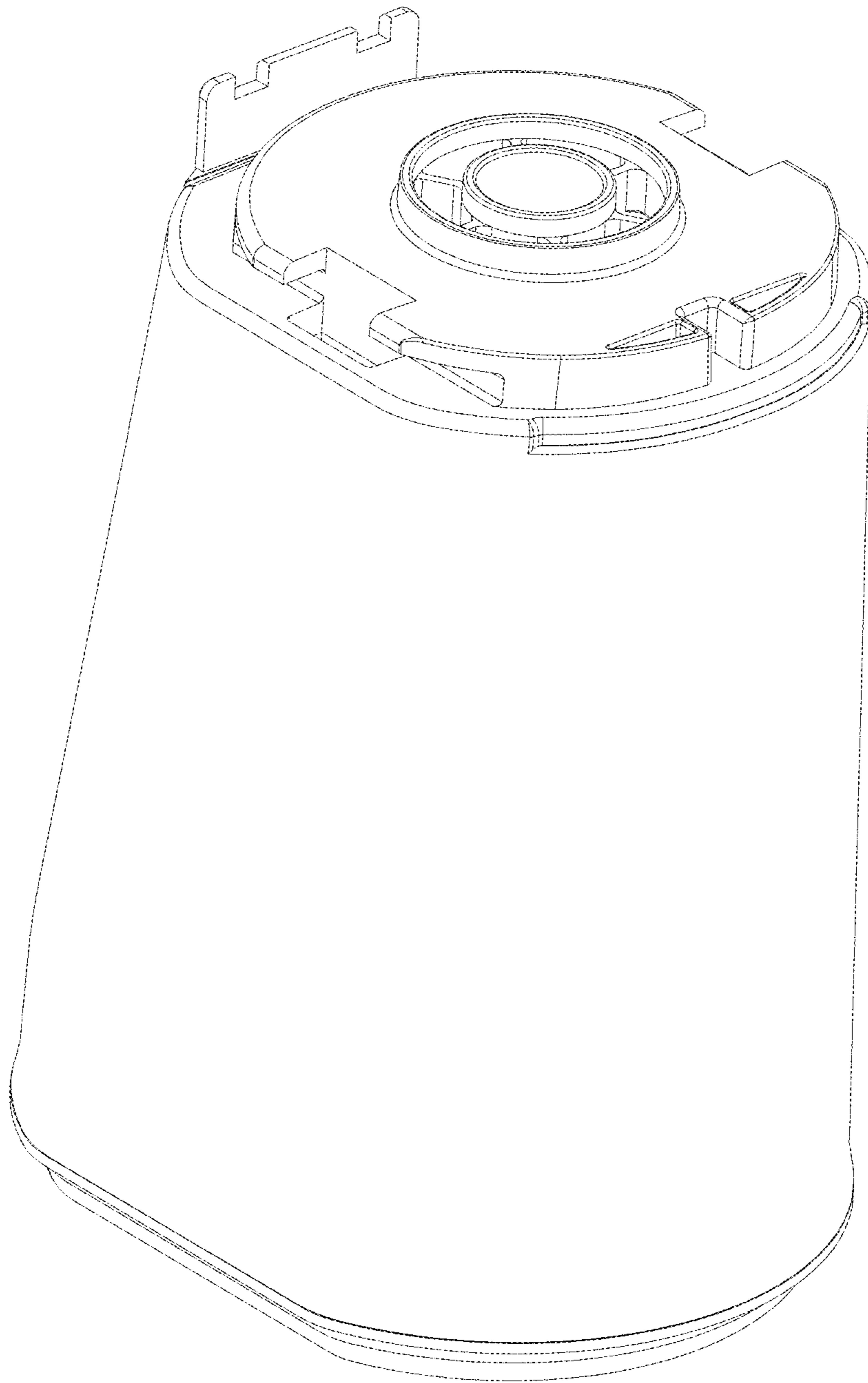


FIG. 8

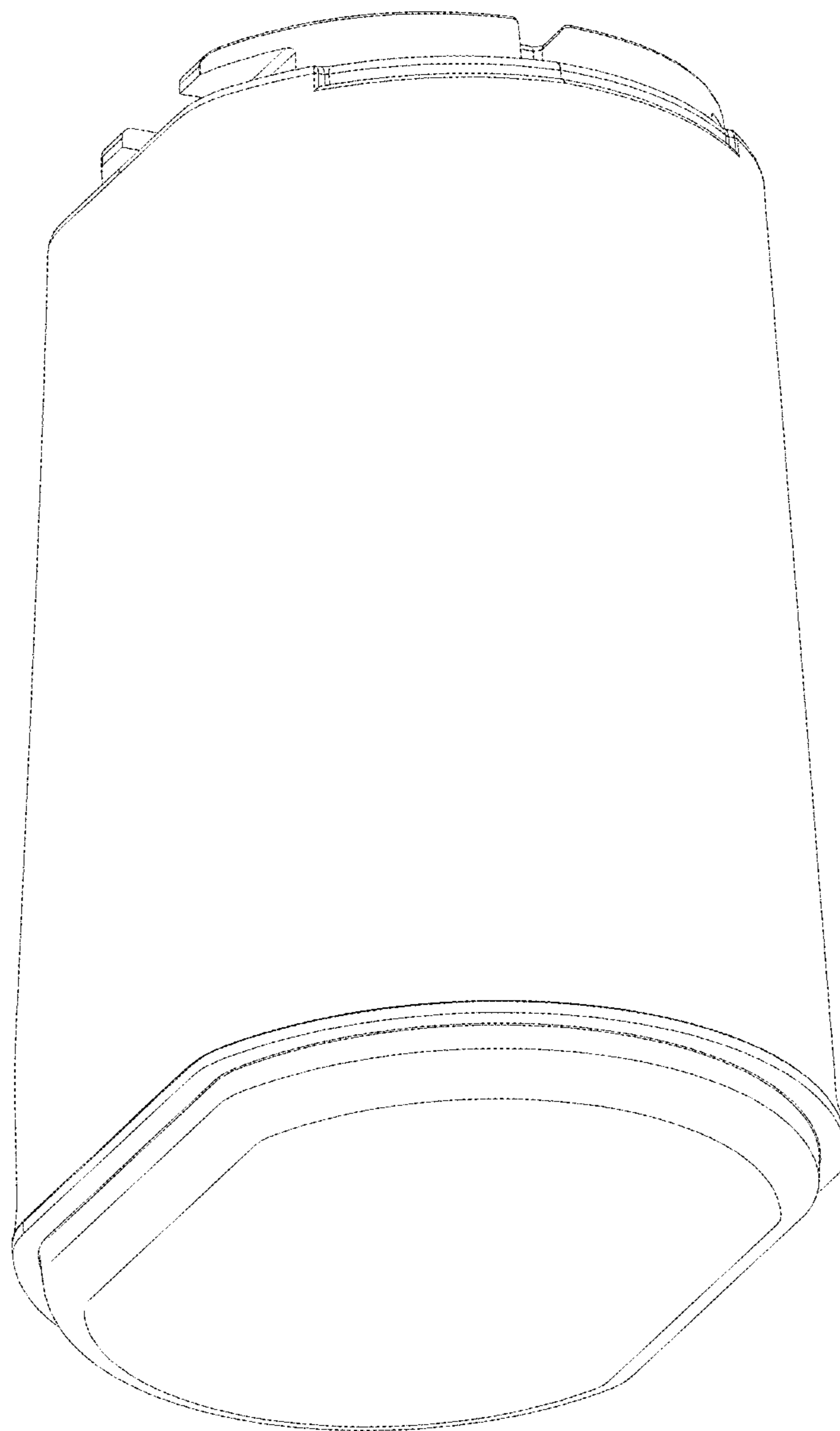


FIG. 9