



US00D701314S

(12) **United States Design Patent**
Davis et al.

(10) **Patent No.:** **US D701,314 S**
(45) **Date of Patent:** **** Mar. 18, 2014**

(54) **ANTERIOR ANTENNA CASING FOR A
MAGNETIC RESONANCE IMAGING
RECEIVE COIL**

(71) Applicant: **Mentis LLC**, Richardson, TX (US)

(72) Inventors: **Albert Michael Davis**, Richardson, TX
(US); **James Allen Higgins**, Plano, TX
(US)

(73) Assignee: **Mentis LLC**, Dallas, TX (US)

(**) Term: **14 Years**

(21) Appl. No.: **29/458,237**

(22) Filed: **Jun. 18, 2013**

D320,660 S	10/1991	Foreman et al.	
5,150,710 A	9/1992	Hall et al.	
5,361,765 A	11/1994	Herlihy et al.	
5,363,845 A	11/1994	Chowdhury et al.	
5,386,191 A	1/1995	McCarten et al.	
D380,832 S	7/1997	Isshiki et al.	
D393,068 S	3/1998	Isshiki	
D408,915 S *	4/1999	Ogiwara	D24/158
D441,866 S *	5/2001	Marchesi	D24/159
6,591,128 B1	7/2003	Wu et al.	
6,644,852 B2	11/2003	Crain et al.	
6,650,926 B1	11/2003	Chan et al.	
6,778,849 B1 *	8/2004	Ninomiya et al.	600/422
D563,555 S *	3/2008	Kasai et al.	D24/158
D563,556 S *	3/2008	Baba	D24/158
D591,862 S *	5/2009	Taniguchi et al.	D24/158
D592,751 S *	5/2009	Ninomiya et al.	D24/158
8,188,740 B2 *	5/2012	Ninomiya et al.	324/318
D683,024 S *	5/2013	Baba	D24/158

* cited by examiner

Related U.S. Application Data

(62) Division of application No. 29/406,775, filed on Nov. 18, 2011, now Pat. No. Des. 686,324.

(51) **LOC (10) Cl.** **24-01**

(52) **U.S. Cl.**
USPC **D24/158**

(58) **Field of Classification Search**
USPC D24/158-161, 185, 186; 378/4, 15, 17,
378/20, 21, 23-27, 62, 68, 146, 195-198,
378/57; 600/410, 421, 422
See application file for complete search history.

(56) **References Cited**

U.S. PATENT DOCUMENTS

4,634,980 A *	1/1987	Misic et al.	D24/158
4,763,345 A	8/1988	Barbaric et al.	
D313,073 S *	12/1990	Kaufman et al.	D24/158

Primary Examiner — Anhdao Doan

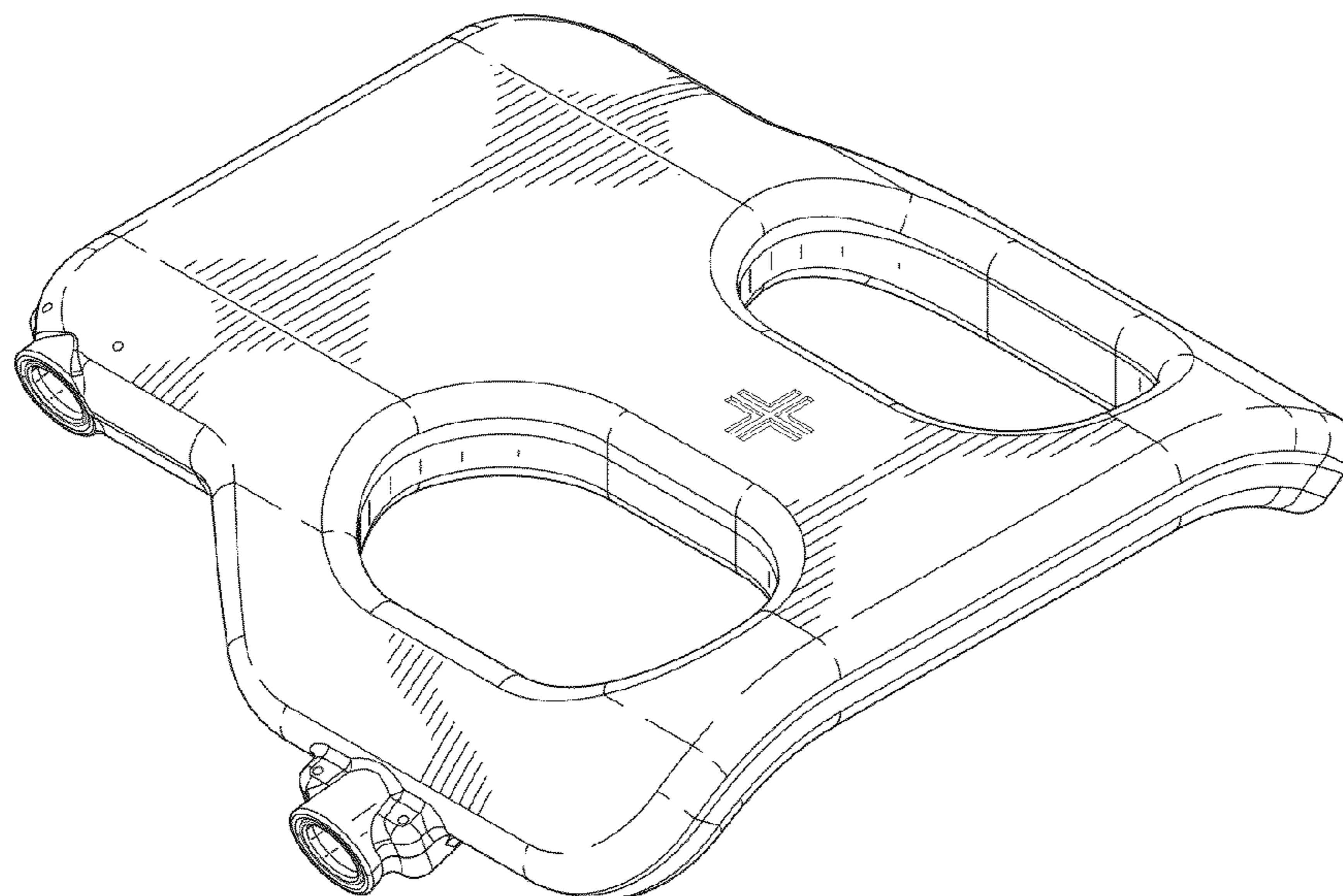
(57) **CLAIM**

We claim the ornamental design for an anterior antenna casing for a magnetic resonance imaging receive coil, as shown and described.

DESCRIPTION

FIG. 1 is a back perspective view of an anterior antenna casing for a magnetic resonance imaging receive coil;
FIG. 2 is a left side view thereof;
FIG. 3 is a right side view thereof;
FIG. 4 is a front view thereof;
FIG. 5 is a back view thereof;
FIG. 6 is a top view thereof; and,
FIG. 7 is a bottom view thereof.

1 Claim, 4 Drawing Sheets



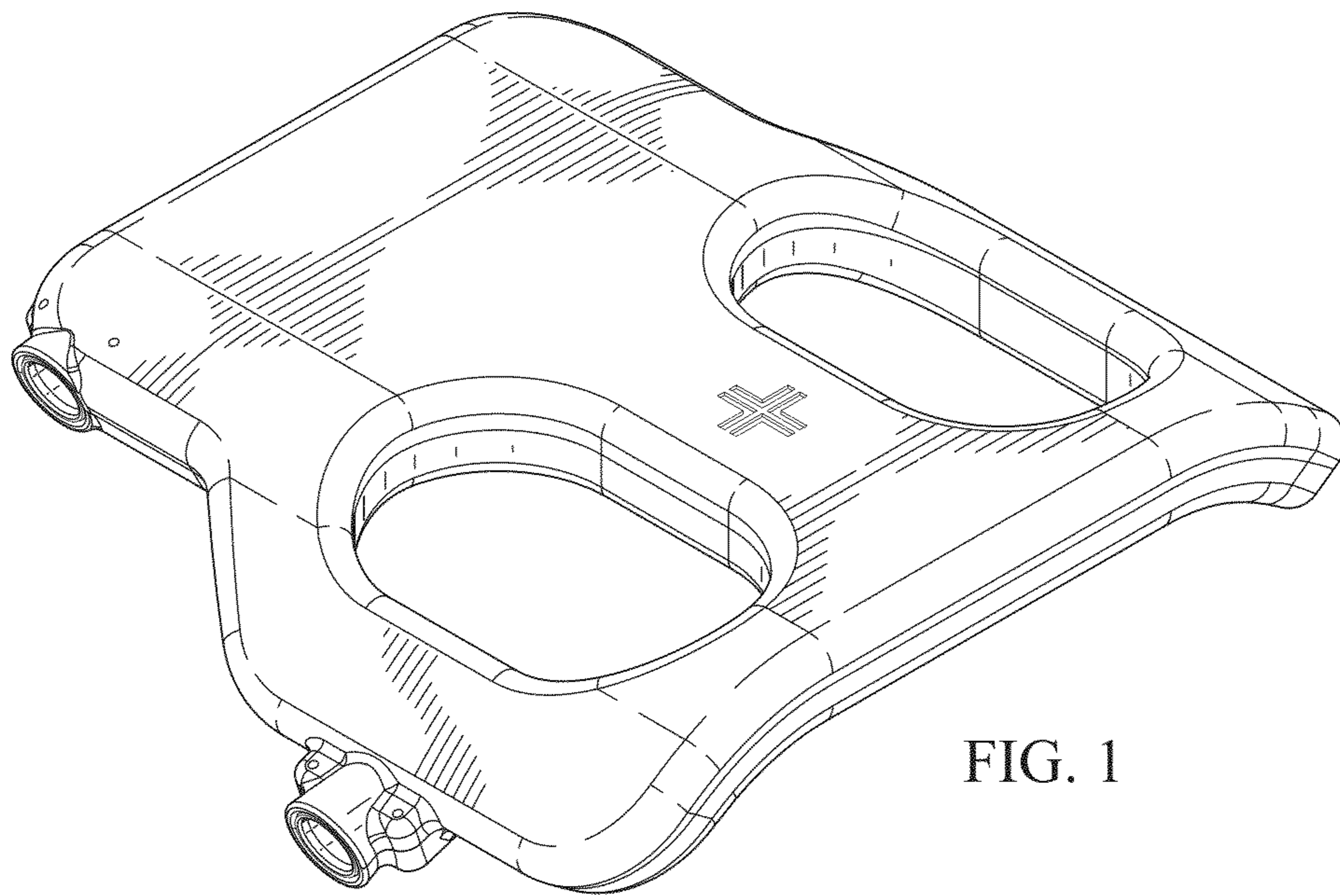


FIG. 1

FIG. 2

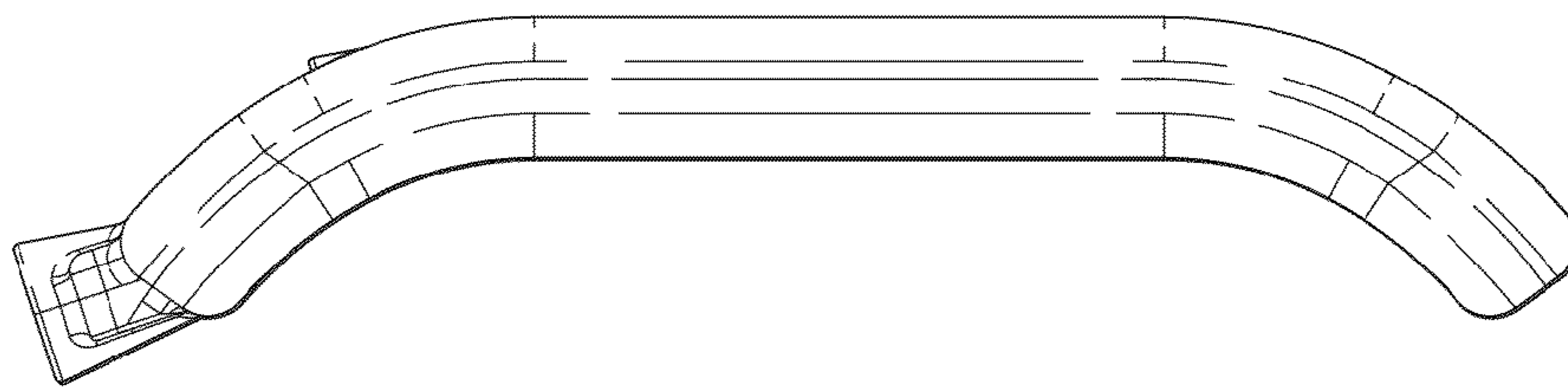


FIG. 3

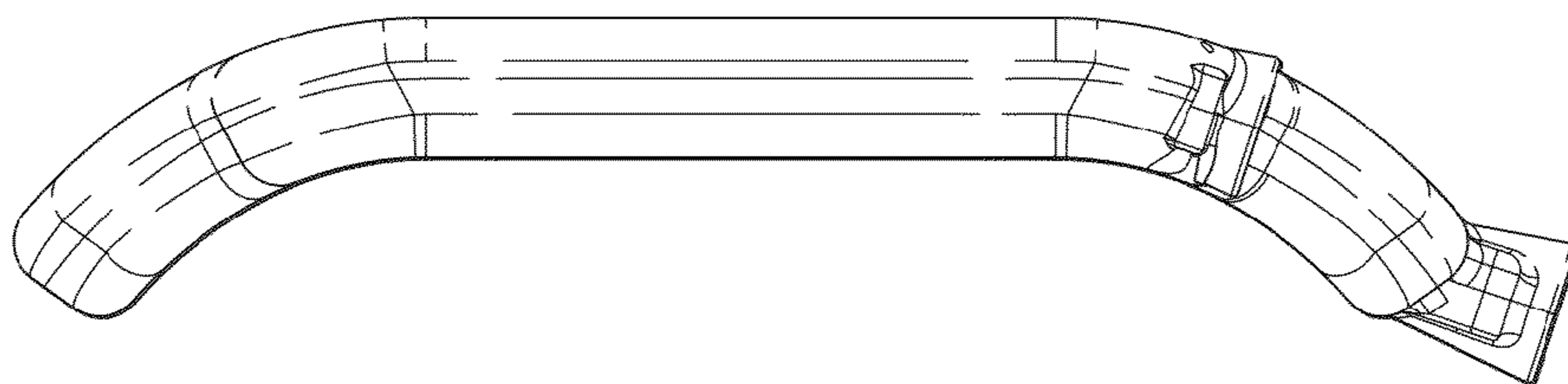


FIG. 4

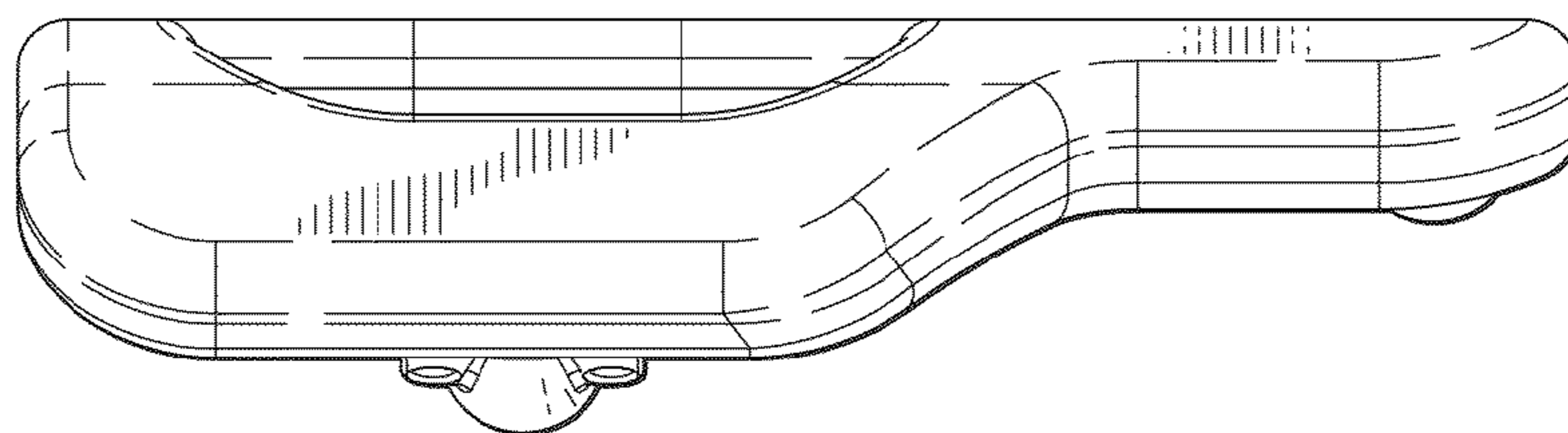
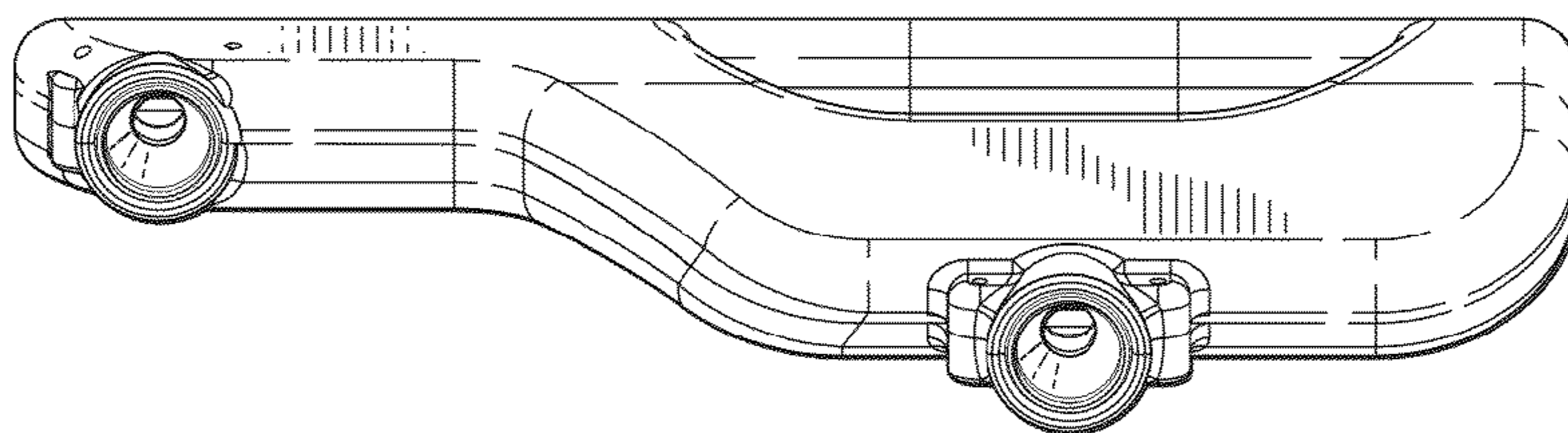


FIG. 5



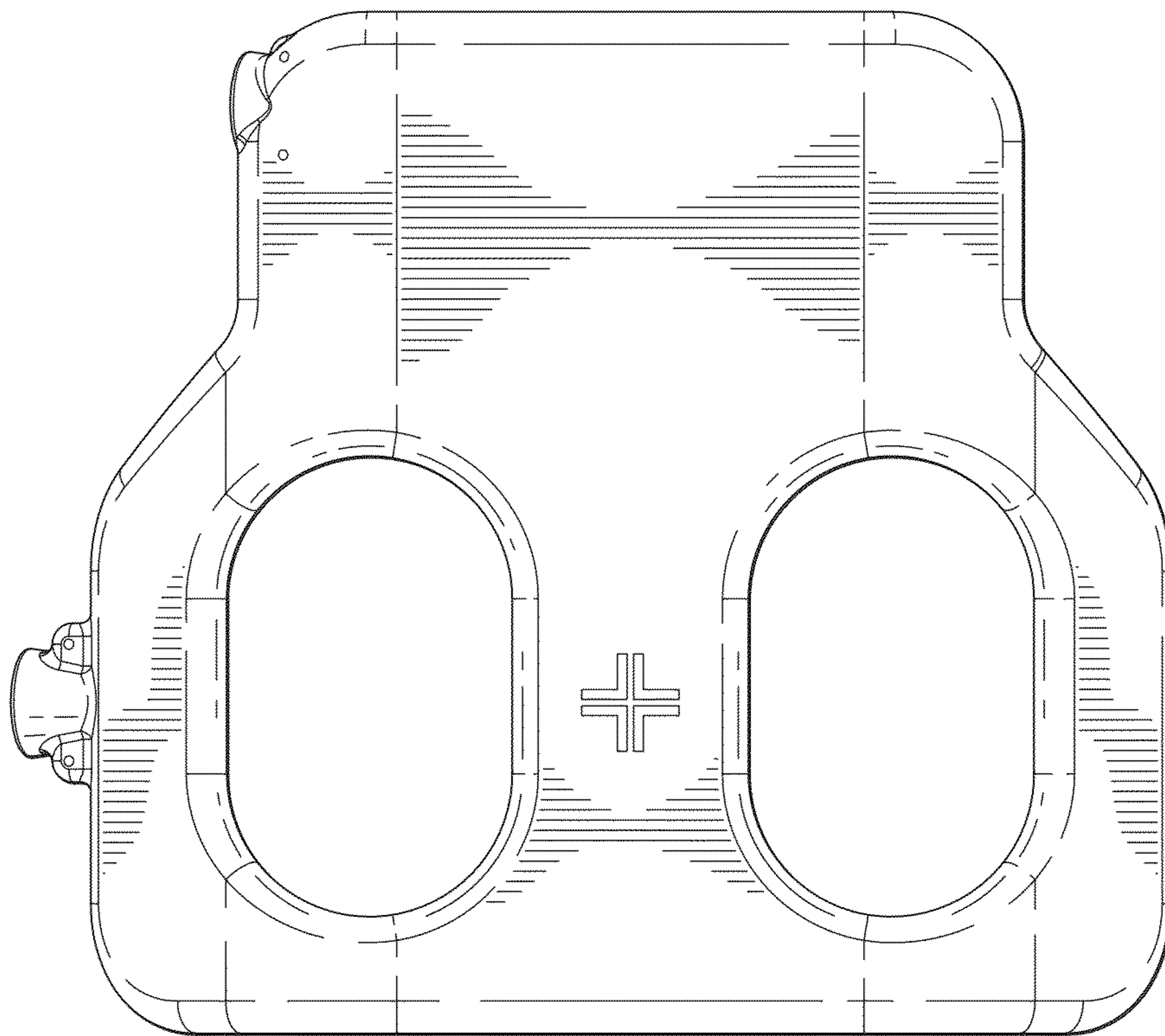


FIG. 6

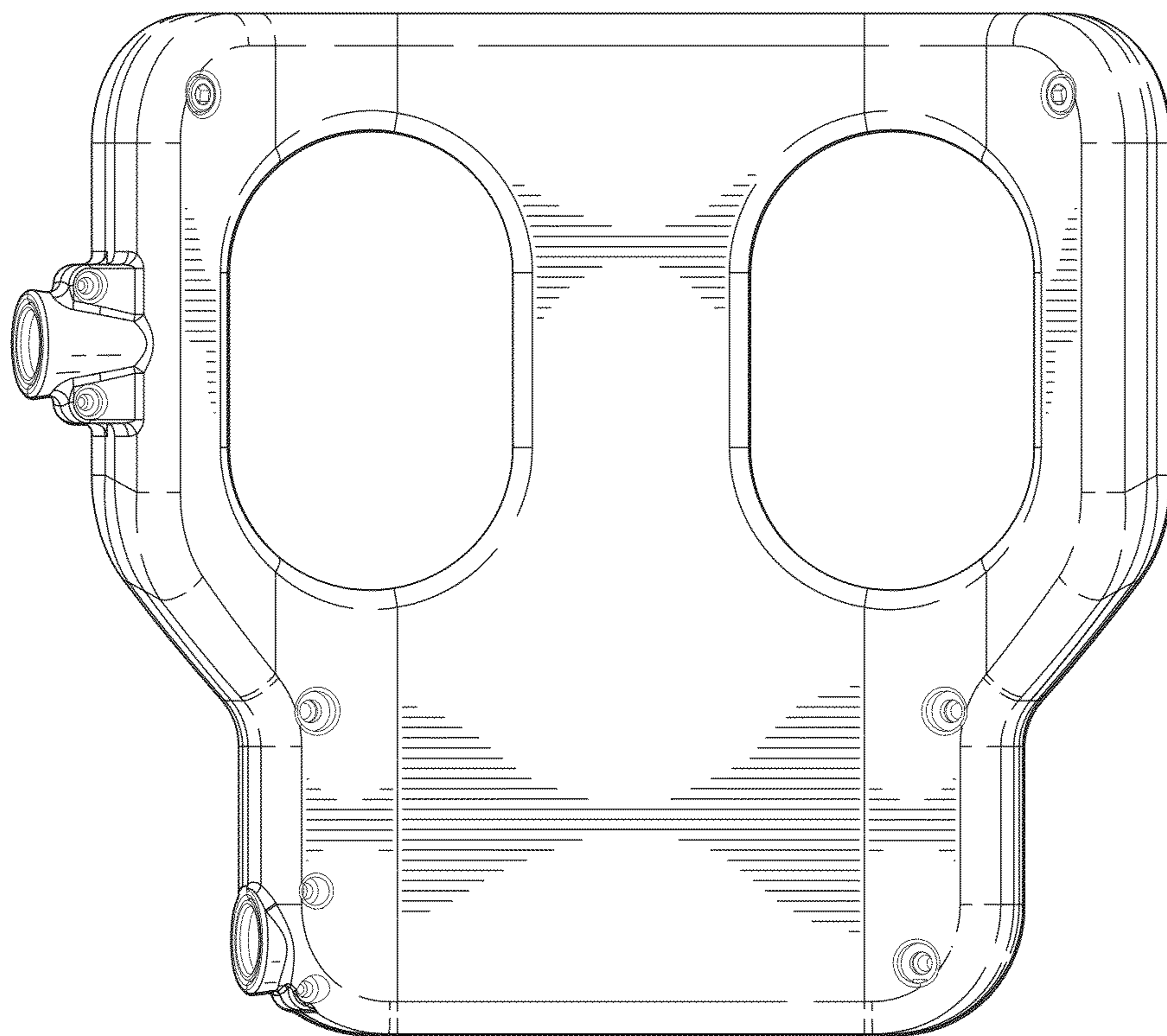


FIG. 7