



US00D701312S

(12) **United States Design Patent**
Ohmukai

(10) **Patent No.:** **US D701,312 S**
(45) **Date of Patent:** **** Mar. 18, 2014**

- (54) **SCANNER FOR AN X-RAY TOMOGRAPHY DIAGNOSIS APPARATUS**
- (71) Applicants: **Kabushiki Kaisha Toshiba**, Tokyo (JP);
Toshiba Medical Systems Corporation,
Otagawa (JP)
- (72) Inventor: **Shinya Ohmukai**, Tokyo (JP)
- (73) Assignees: **Kabushiki Kaisha Toshiba**, Tokyo (JP);
Toshiba Medical Systems Corporation,
Tochigi-Ken (JP)
- (**) Term: **14 Years**
- (21) Appl. No.: **29/455,951**
- (22) Filed: **May 28, 2013**
- (30) **Foreign Application Priority Data**
 - Nov. 29, 2012 (JP) 2012-029118
 - Nov. 29, 2012 (JP) 2012-029119
- (51) **LOC (10) Cl.** **24-01**
- (52) **U.S. Cl.**
USPC **D24/158**
- (58) **Field of Classification Search**
USPC D24/158-161, 185, 186; 378/4, 15, 17,
378/20, 21, 23-27, 62, 68, 146, 195-198,
378/57; 600/410, 421, 422
See application file for complete search history.

- (56) **References Cited**
U.S. PATENT DOCUMENTS
 - D414,868 S * 10/1999 Baars D24/158
 - D420,134 S * 2/2000 Kitayama D24/159

(Continued)

- FOREIGN PATENT DOCUMENTS**
 - JP 129954 5/2007
 - JP 1325882 3/2008

(Continued)

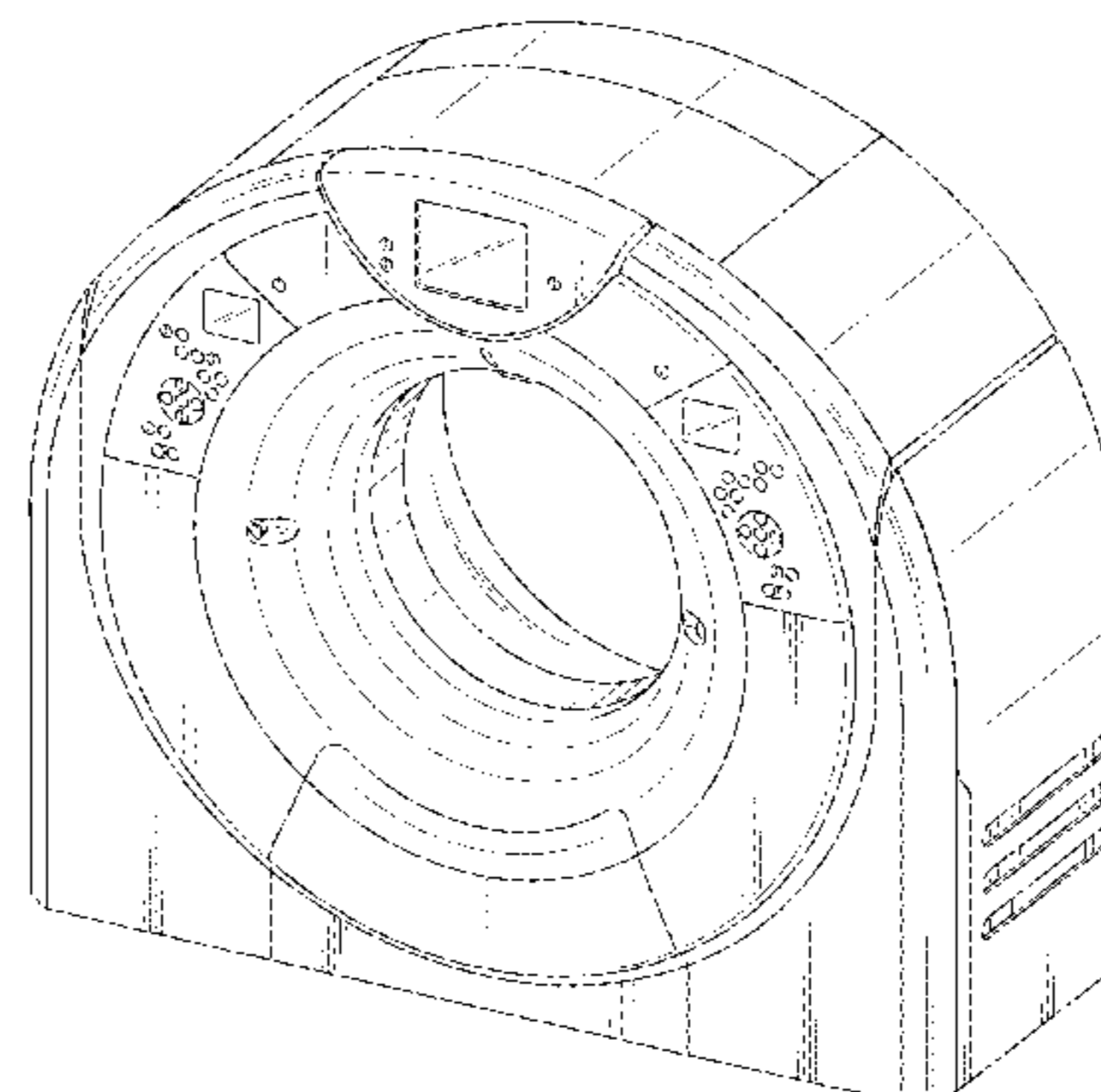
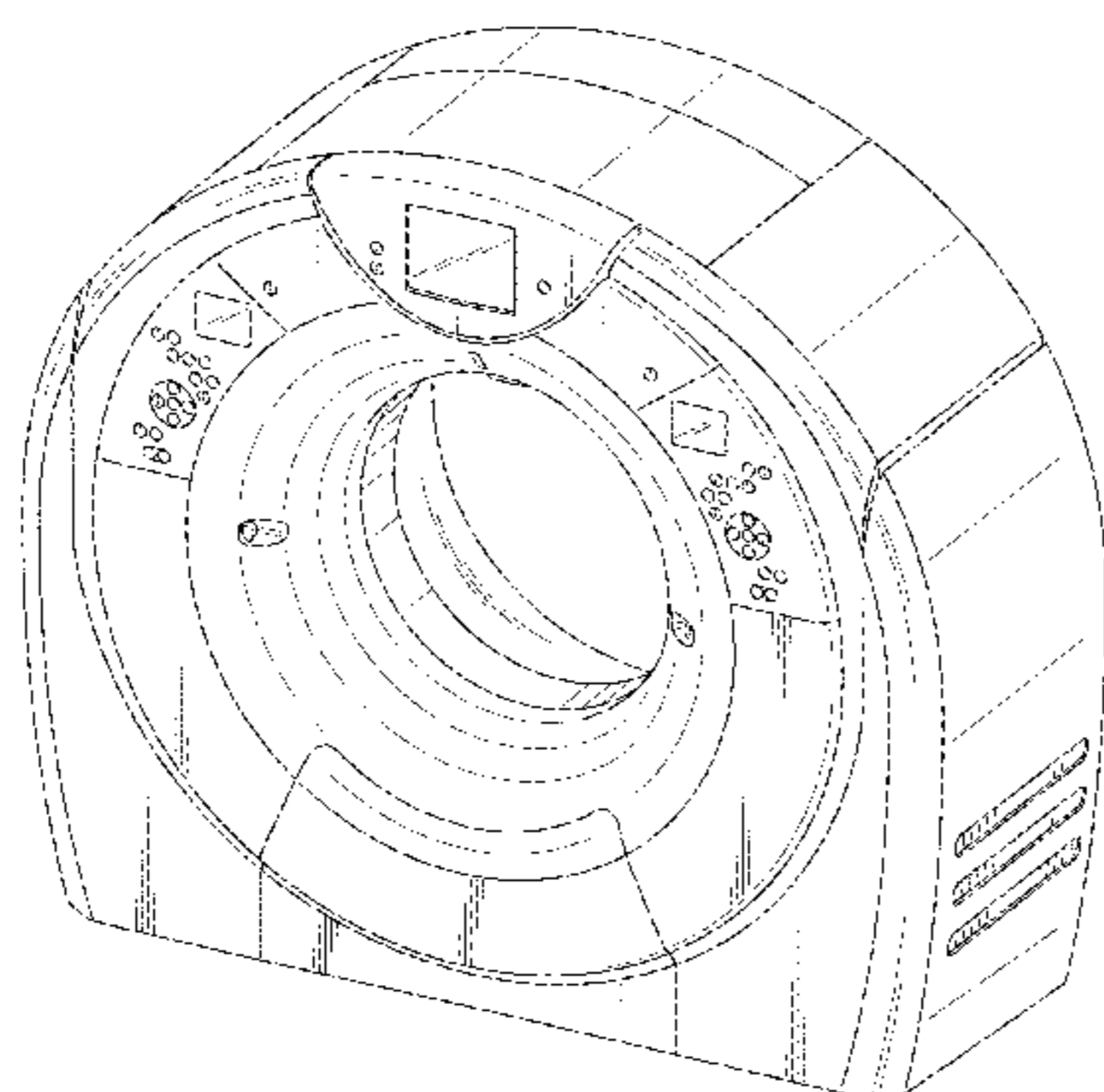
Primary Examiner — Anhdao Doan
(74) *Attorney, Agent, or Firm* — Banner & Witcoff, Ltd

(57) **CLAIM**
The ornamental design for a scanner for an x-ray tomography diagnosis apparatus, as shown and described.

DESCRIPTION

FIG. 1 is a front, top and right side perspective view of a scanner for an x-ray tomography diagnosis apparatus, showing my new design;
FIG. 2 is a rear, top and right side perspective view thereof;
FIG. 3 is a front view thereof;
FIG. 4 is a rear view thereof;
FIG. 5 is a top view thereof;
FIG. 6 is a bottom view thereof;
FIG. 7 is a right side view thereof;
FIG. 8 is a left side view thereof;
FIG. 9 is a cross sectional view thereof, taken along the line 9-9 in FIG. 3, with its internal mechanisms omitted;
FIG. 10 is a cross sectional view thereof, taken along the line 10-10 in FIG. 3, with its internal mechanisms omitted;
FIG. 11 is a right side view thereof, showing the moved state;
FIG. 12 is a front, top and right side perspective view of a second embodiment of the scanner for an x-ray tomography diagnosis apparatus, showing my new design;
FIG. 13 is a rear, top and right side perspective view thereof;
FIG. 14 is a front view thereof;
FIG. 15 is a rear view thereof;
FIG. 16 is a top view thereof;
FIG. 17 is a bottom view thereof;
FIG. 18 is a right side view thereof;
FIG. 19 is a left side view thereof;
FIG. 20 is a cross sectional view thereof, taken along the line 20-20 in FIG. 14, with its internal mechanisms omitted;
FIG. 21 is a cross sectional view thereof, taken along the line 21-21 in FIG. 14, with its internal mechanisms omitted; and,
FIG. 22 is a right side view thereof, showing the moved state.
The broken lines shown in FIGS. 9, 10, 20 and 21 are for environmental purposes only and form no part of the claimed design.

1 Claim, 18 Drawing Sheets



(56)

References Cited

U.S. PATENT DOCUMENTS

D557,418 S * 12/2007 Onuma et al. D24/158
D590,504 S * 4/2009 Ogiwara D24/158
D625,416 S * 10/2010 Kasai et al. D24/158
D628,294 S * 11/2010 Baba D24/158
D649,250 S * 11/2011 Ishihara et al. D24/158
D666,723 S * 9/2012 Laukkanen et al. D24/158
D683,023 S * 5/2013 Andersson et al. D24/158

D683,025 S * 5/2013 Banryu D24/158
2013/0188768 A1* 7/2013 Lee 378/4

FOREIGN PATENT DOCUMENTS

JP 1359834 3/2010
JP 1363978 4/2010
JP 1433559 2/2012

* cited by examiner

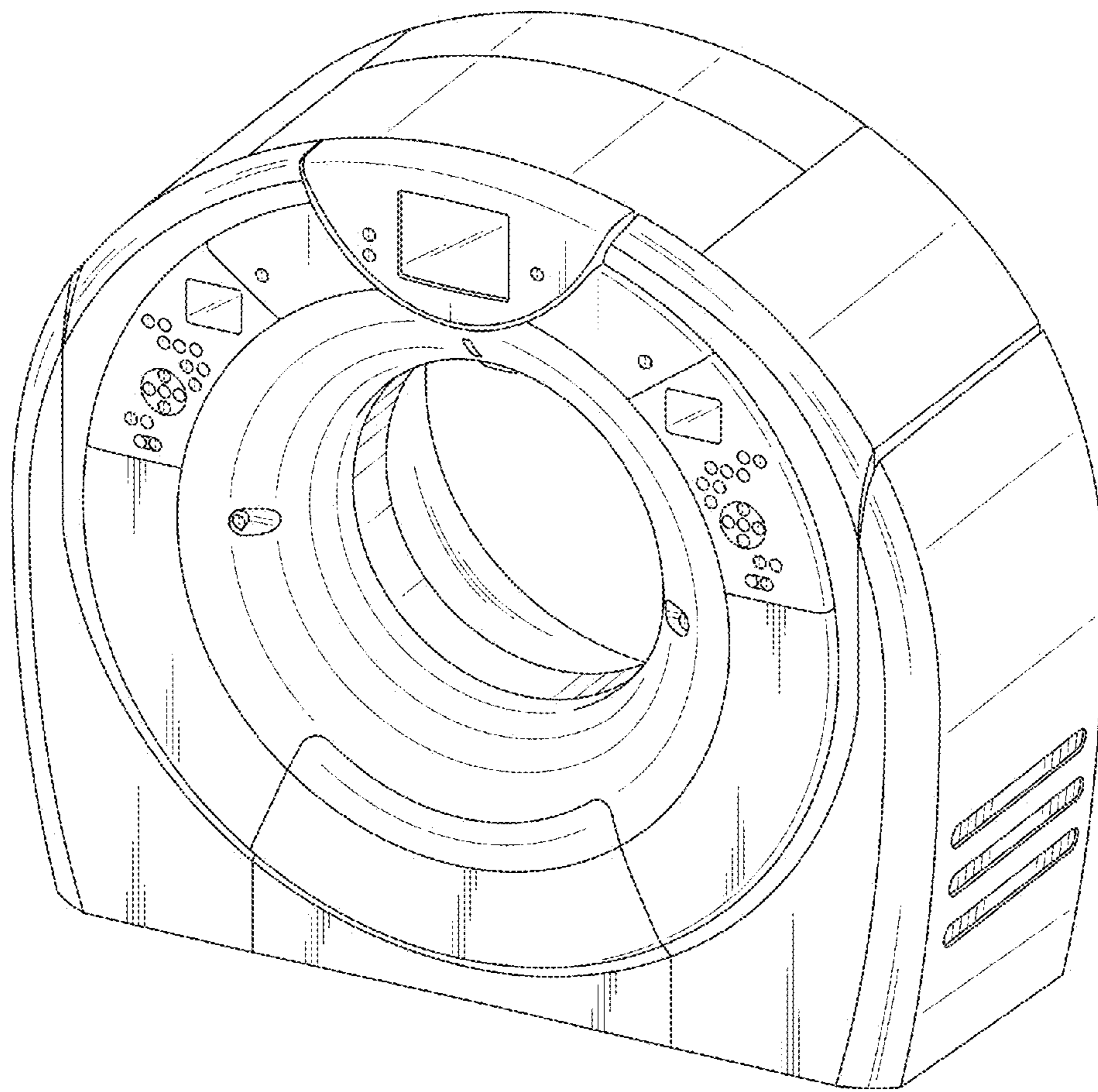


FIG. 1

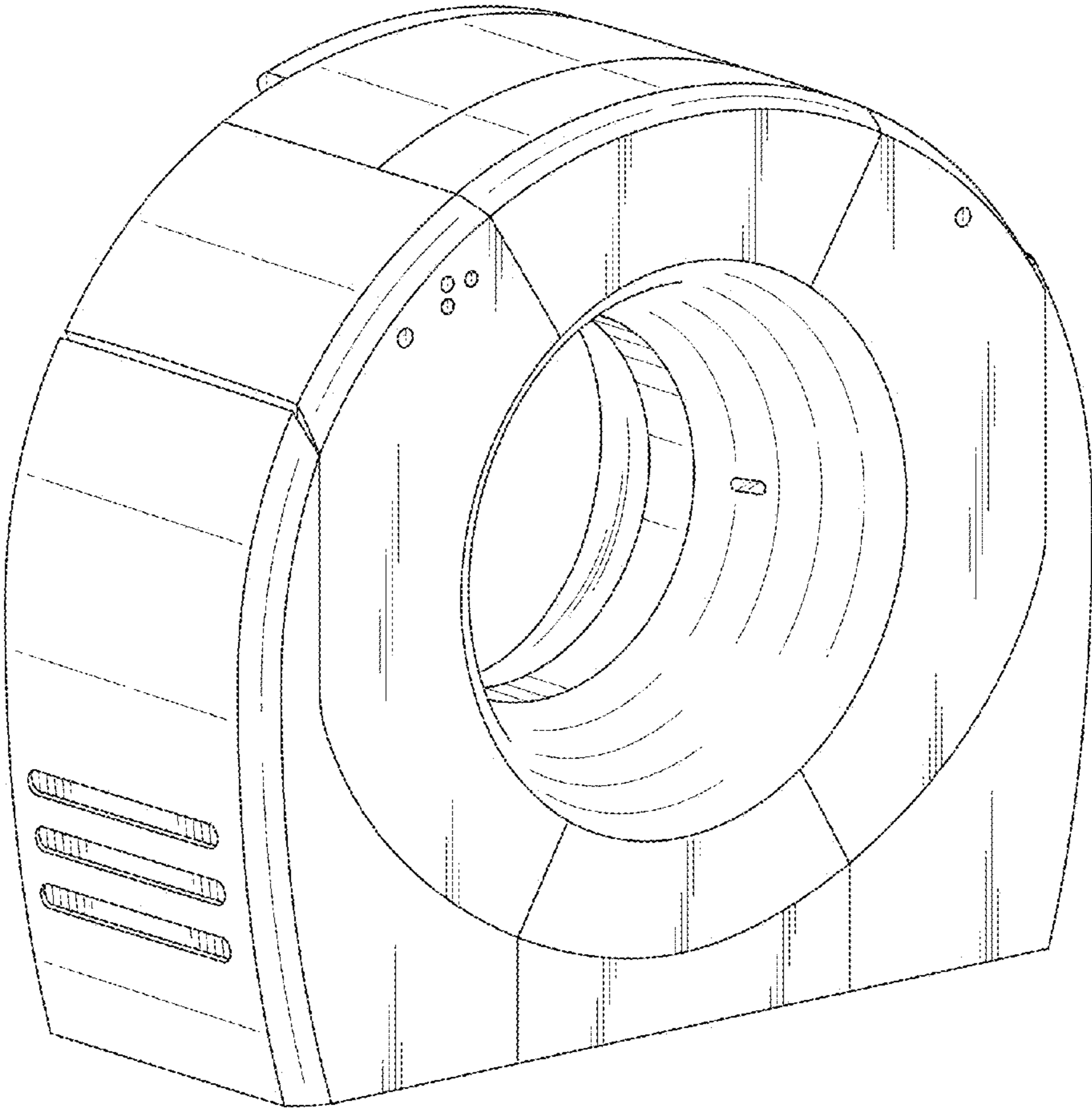


FIG. 2

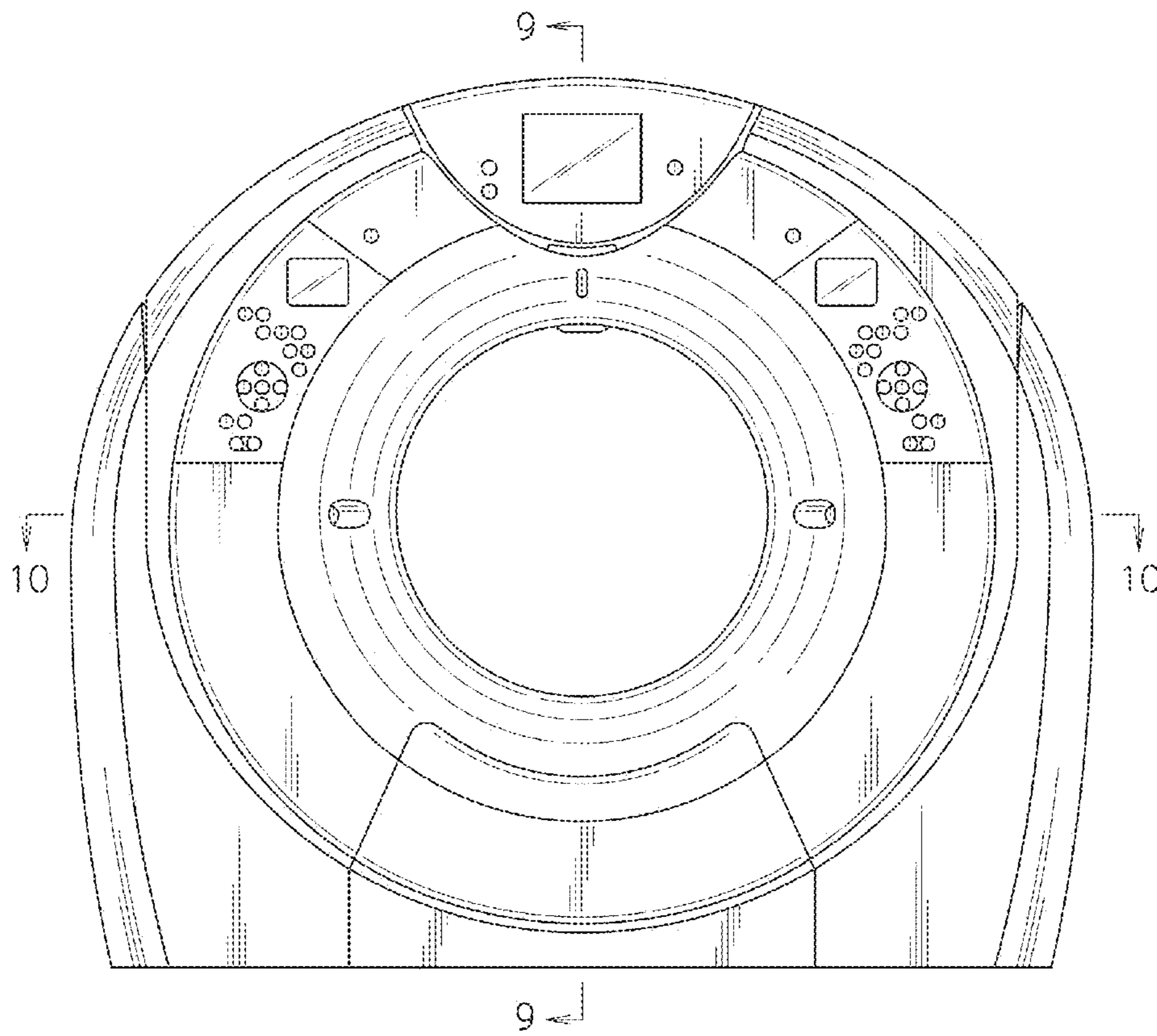


FIG. 3

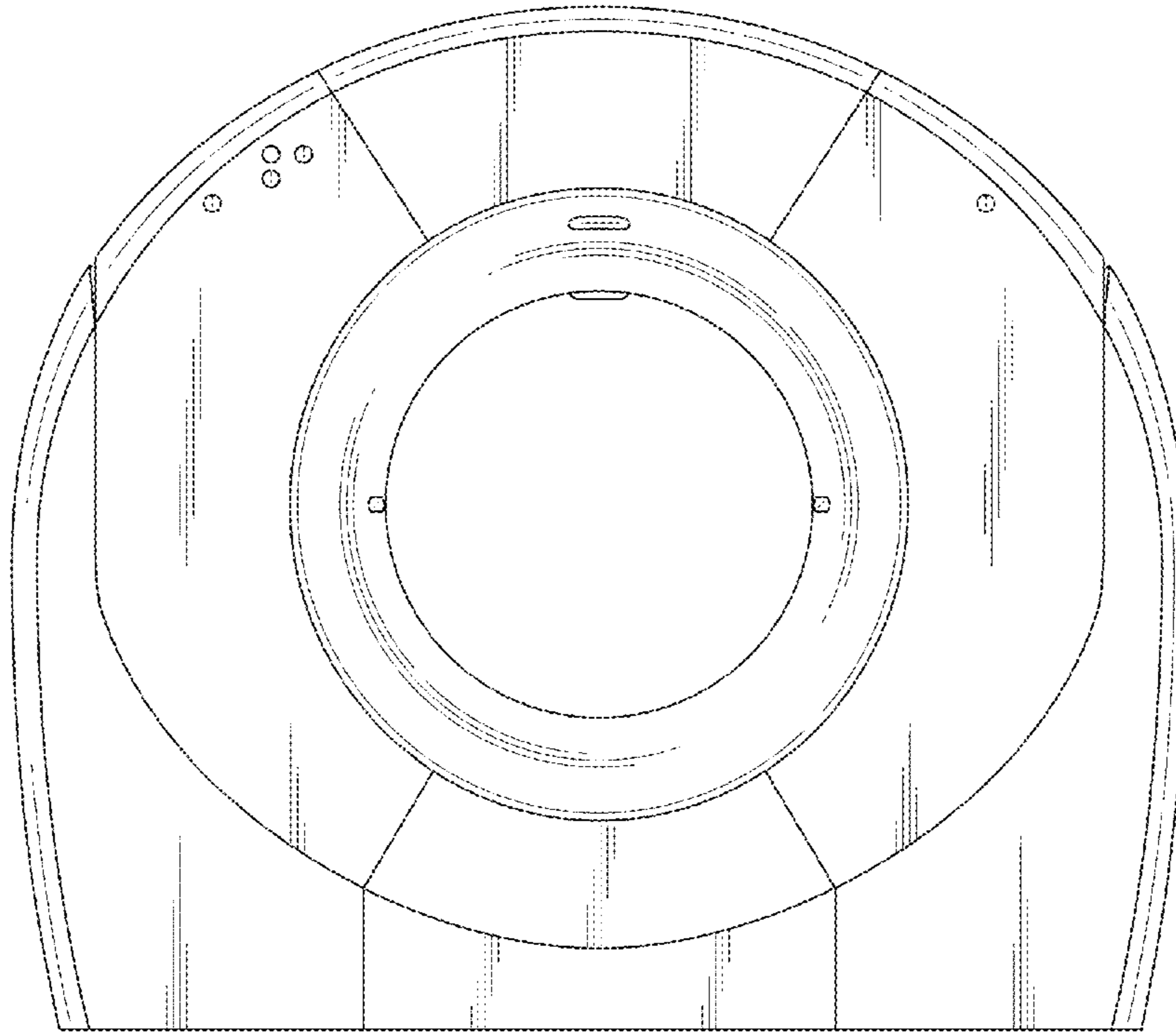


FIG. 4

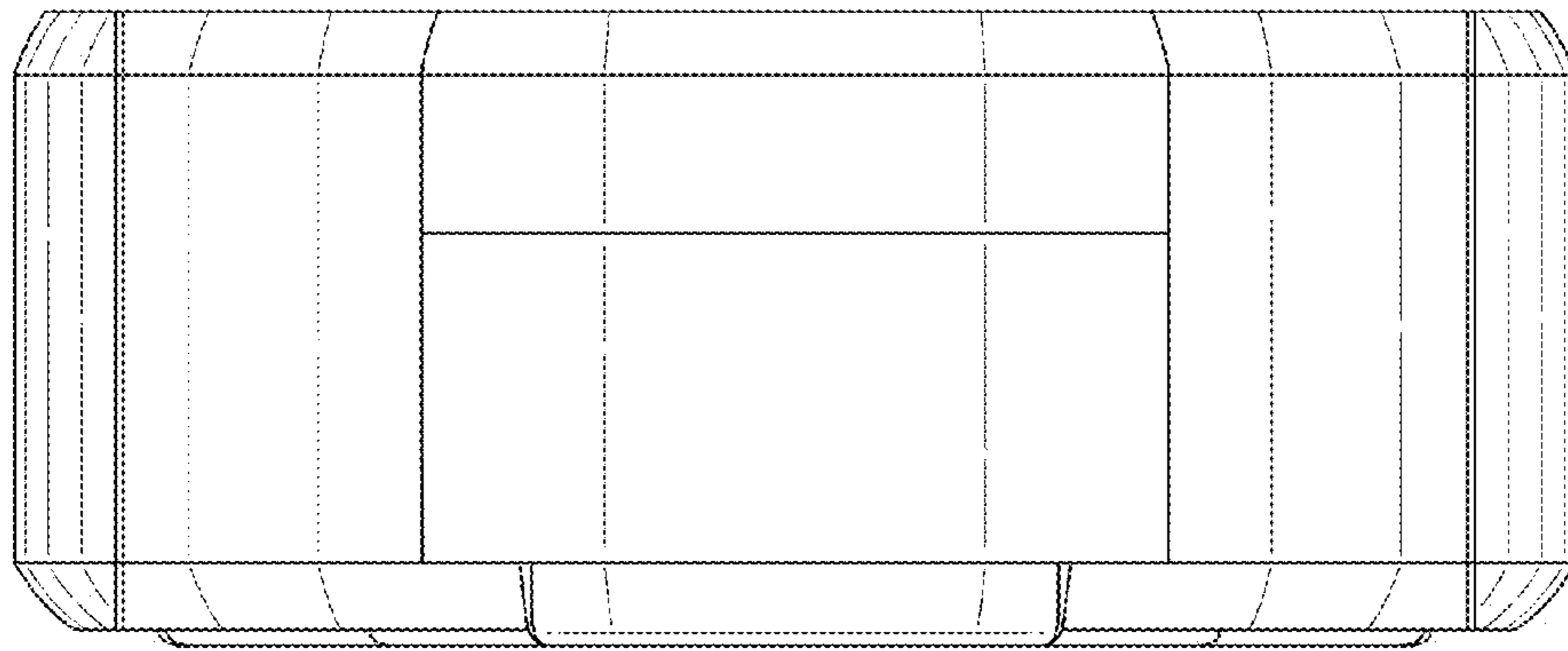


FIG. 5

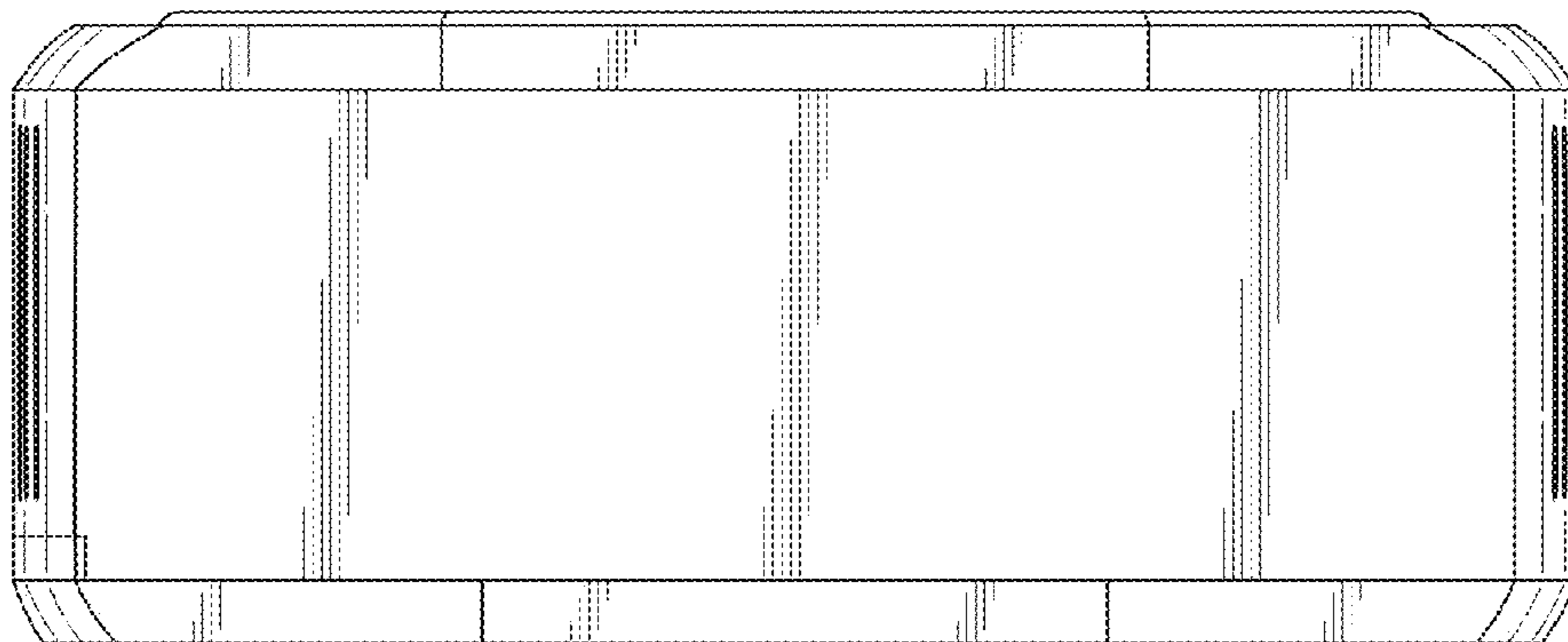


FIG. 6

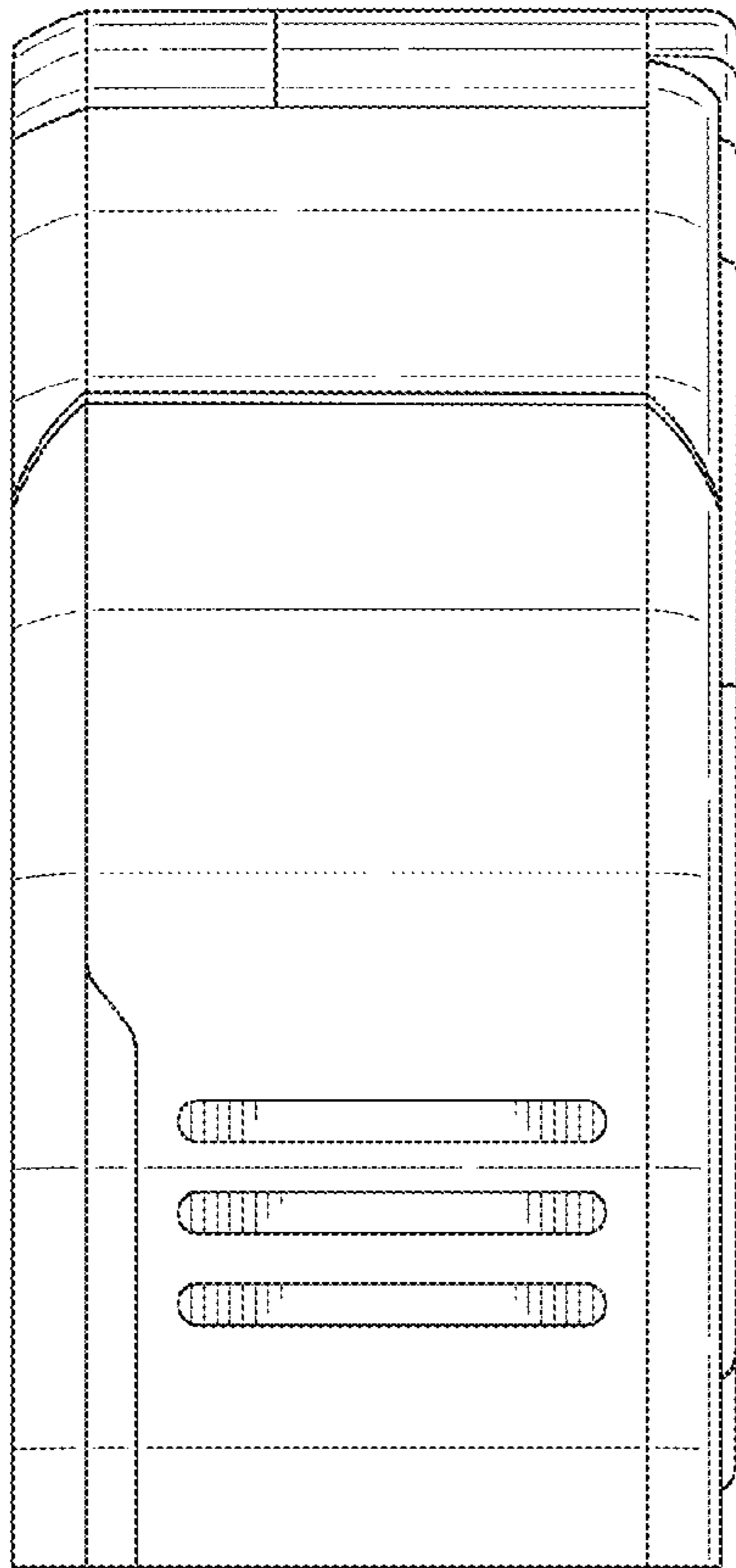


FIG. 8

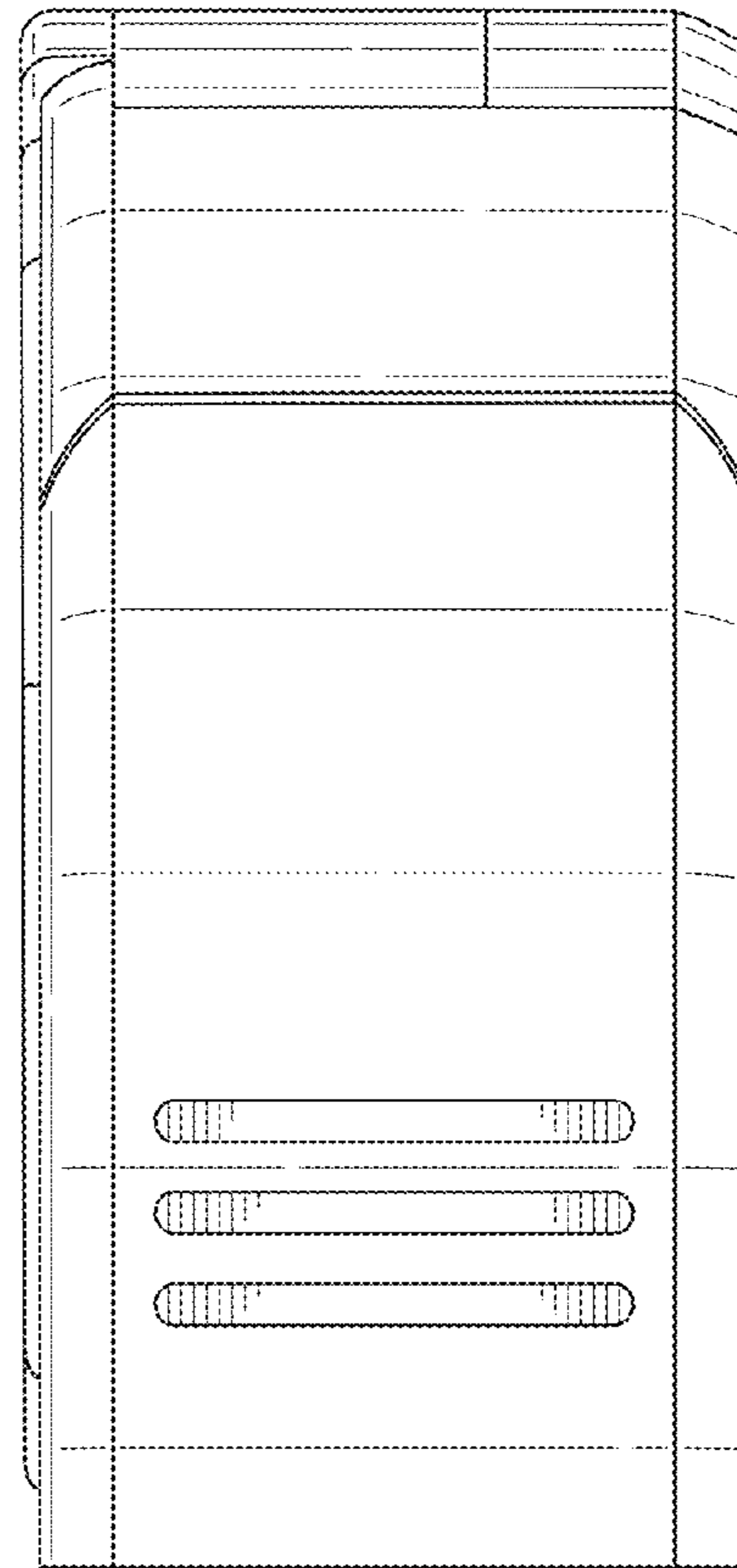


FIG. 7

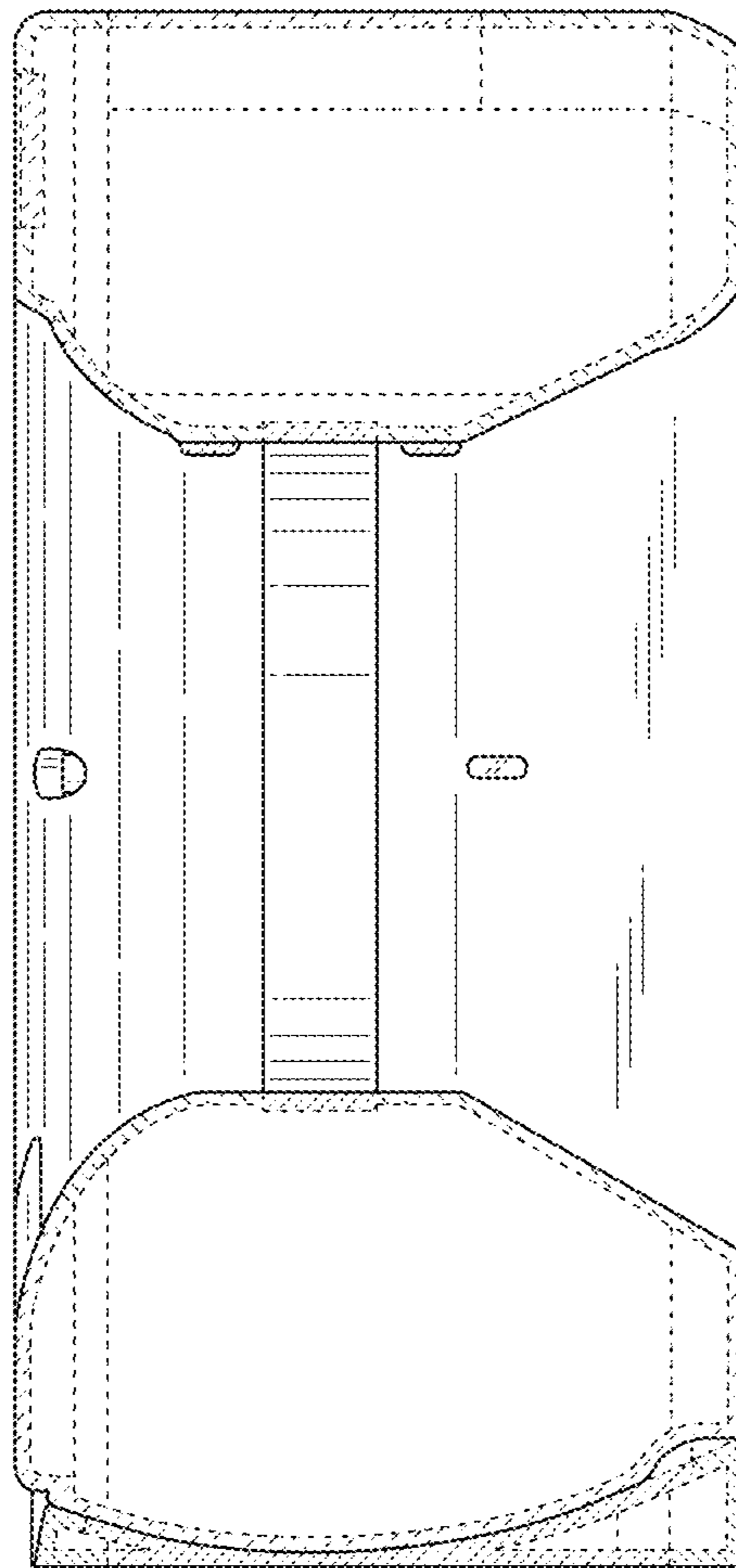


FIG. 9

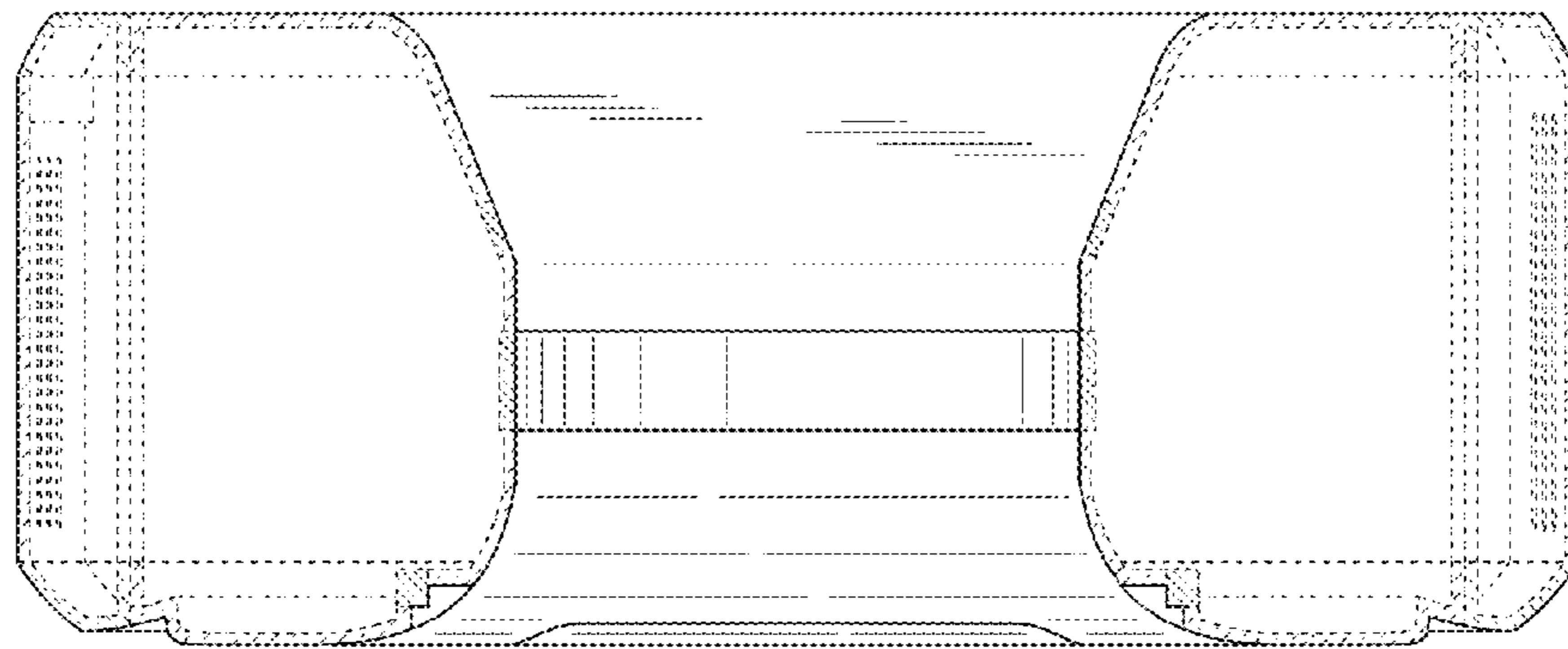


FIG. 10

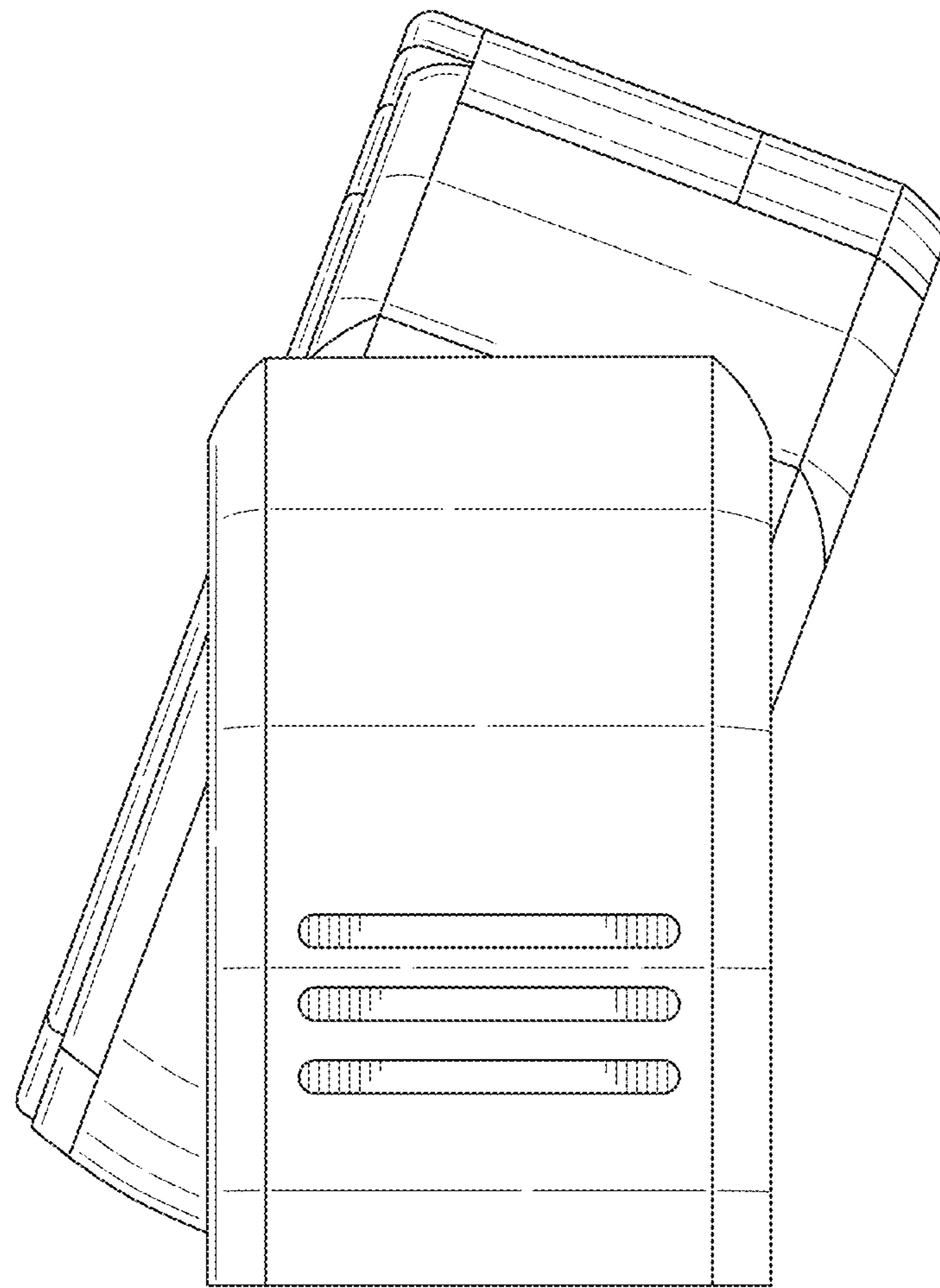


FIG. 11

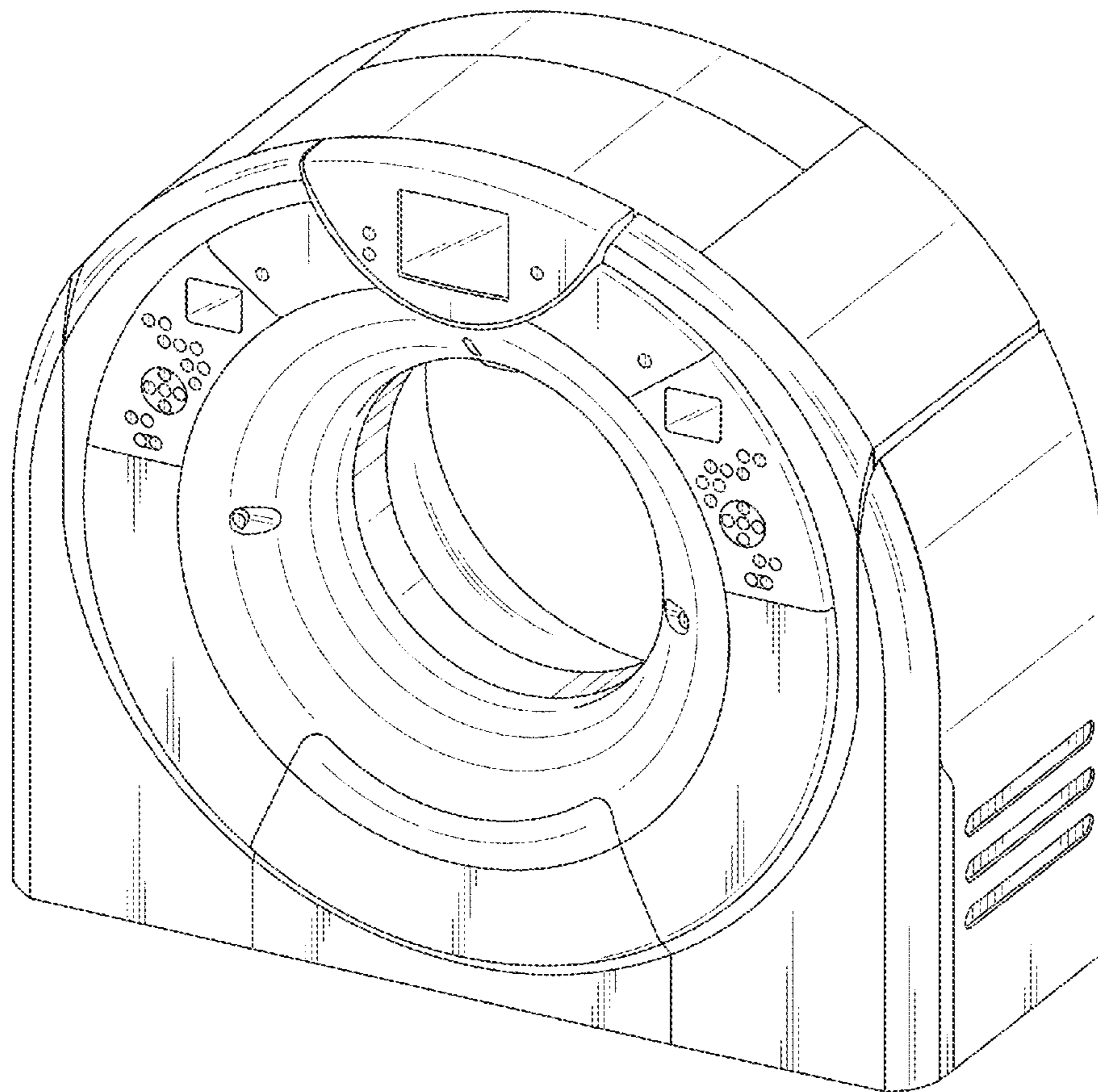


FIG. 12

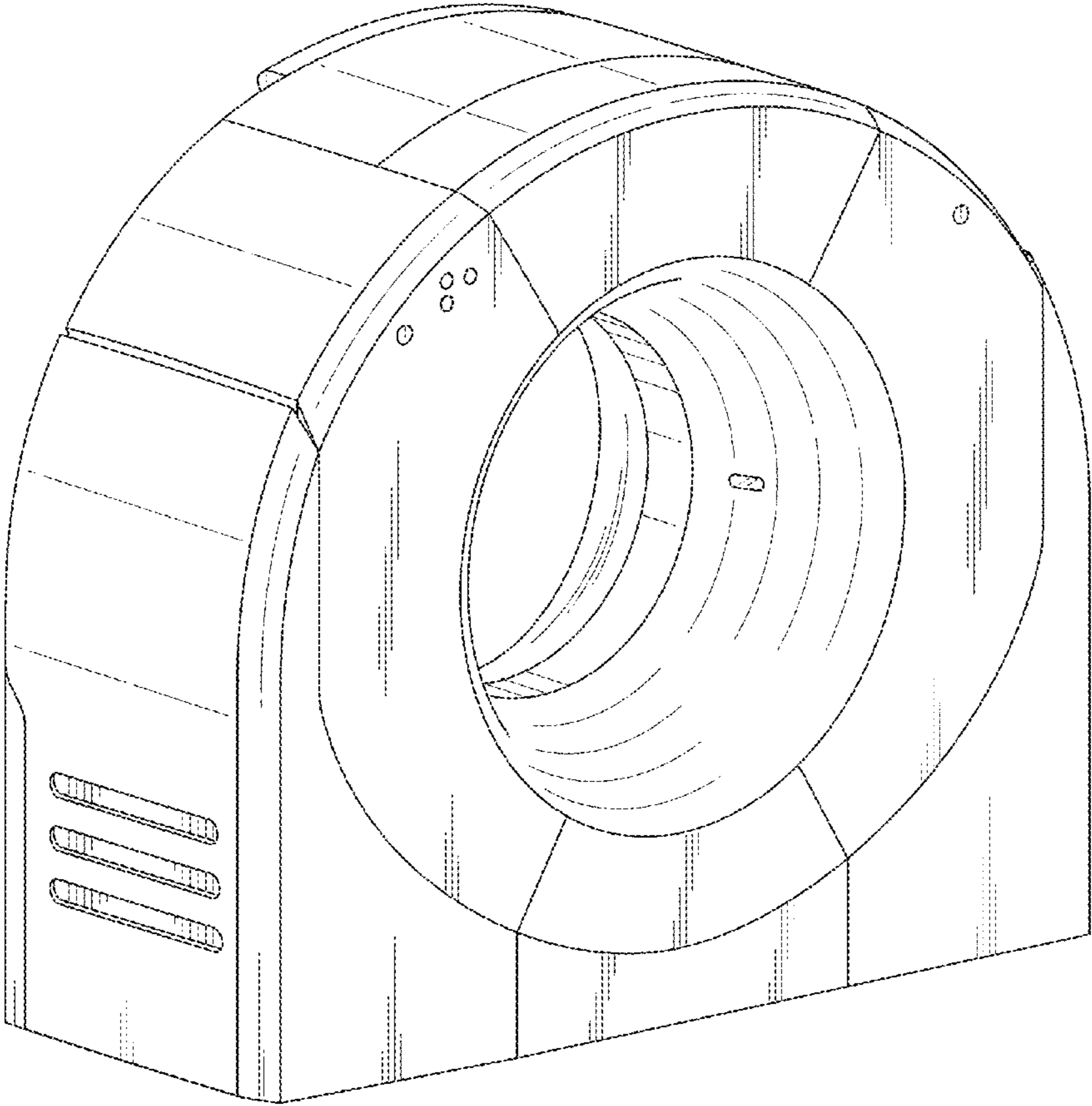


FIG. 13

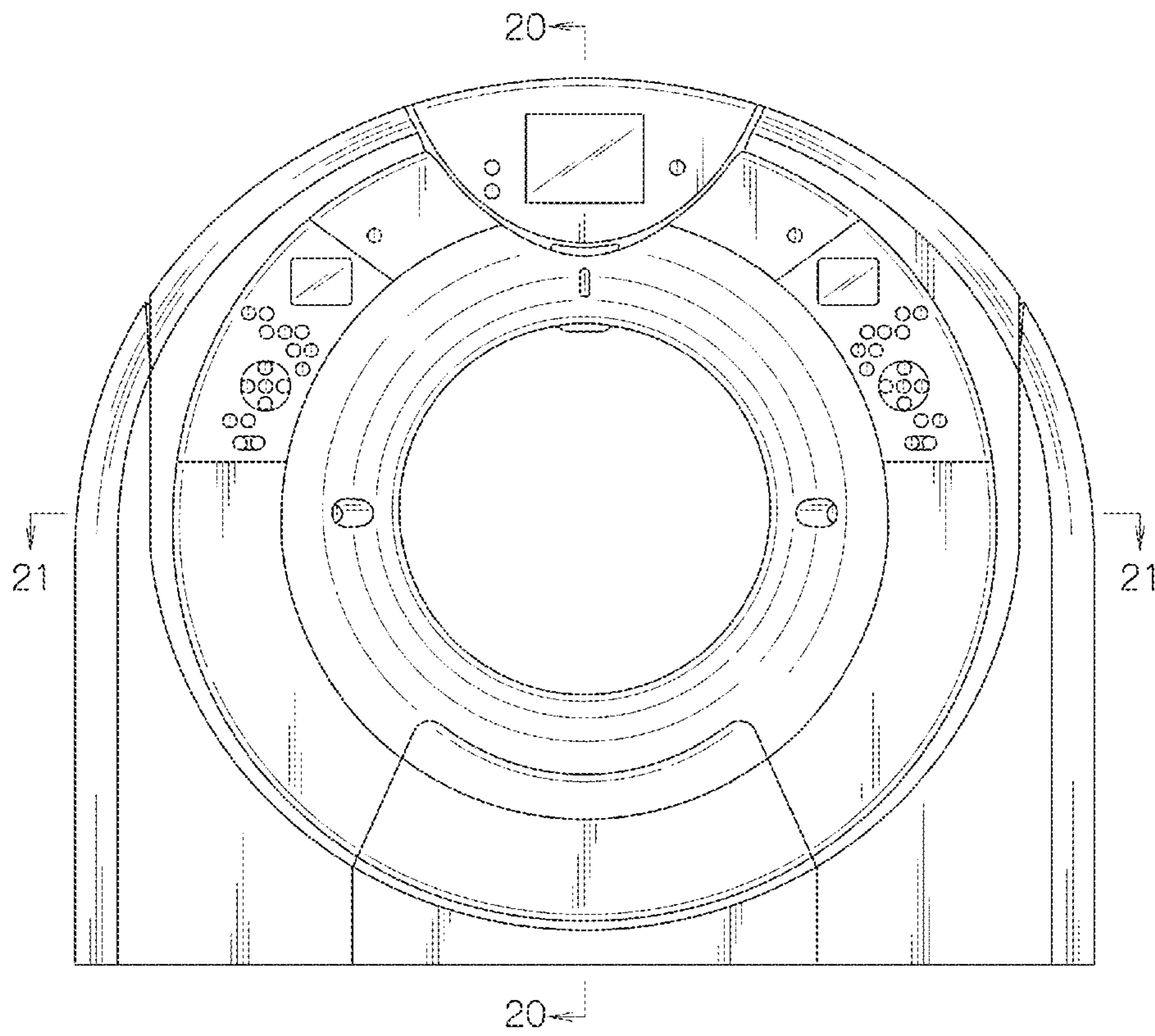


FIG. 14

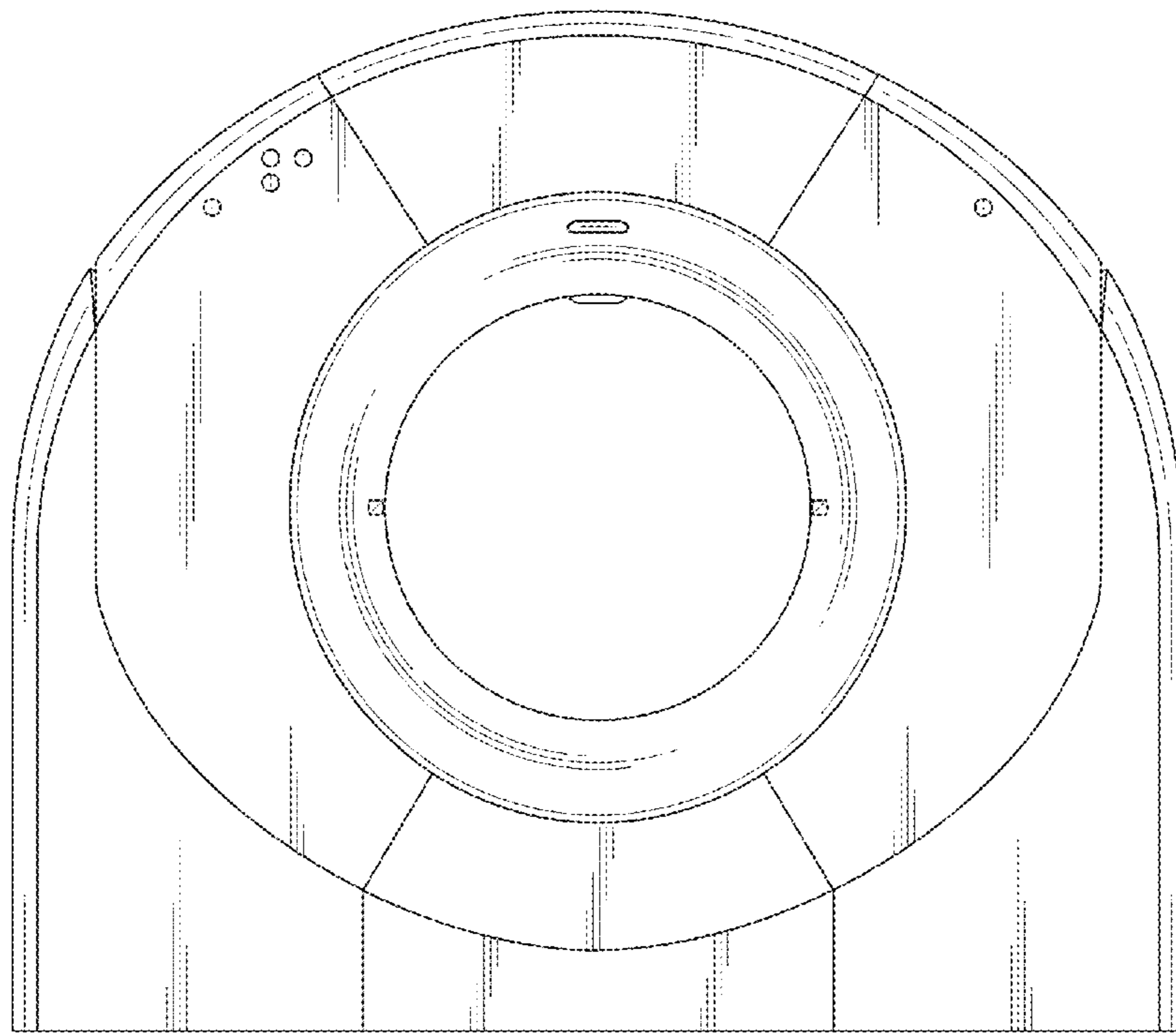


FIG. 15

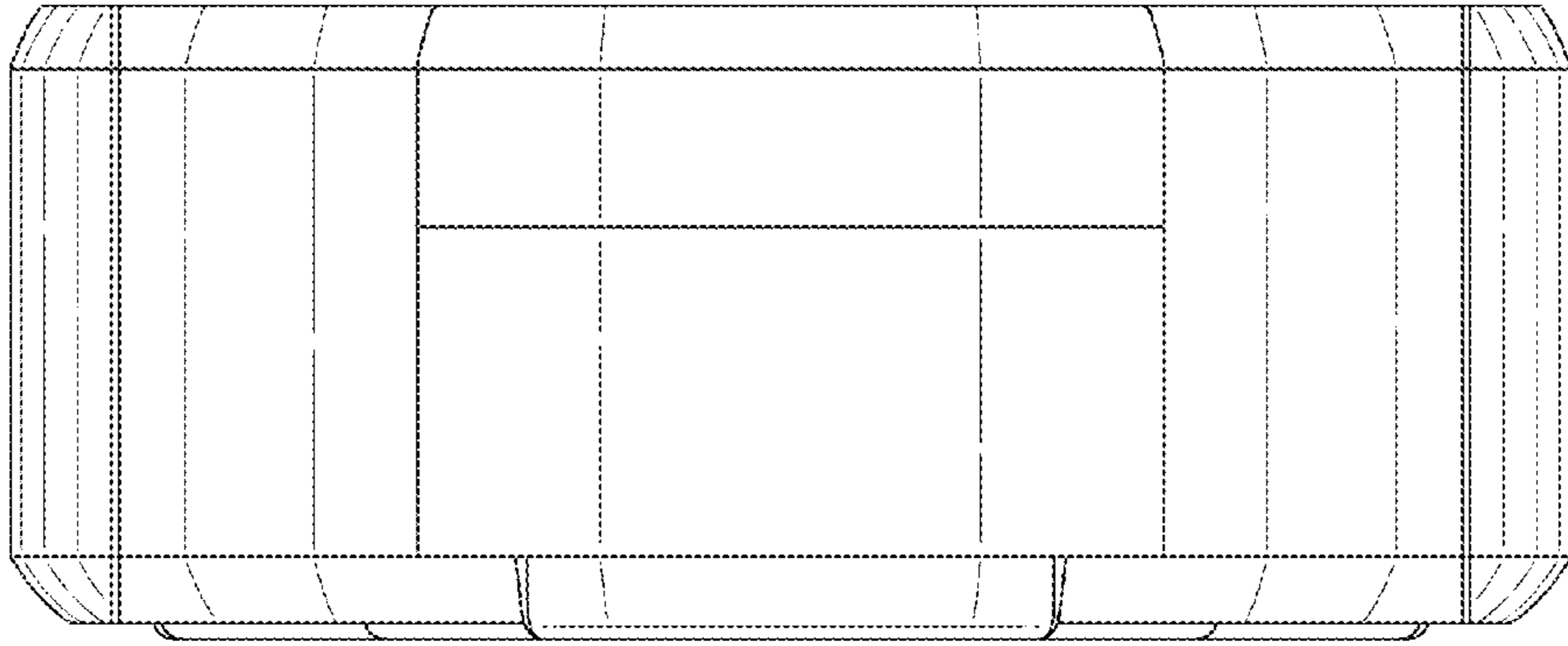


FIG. 16

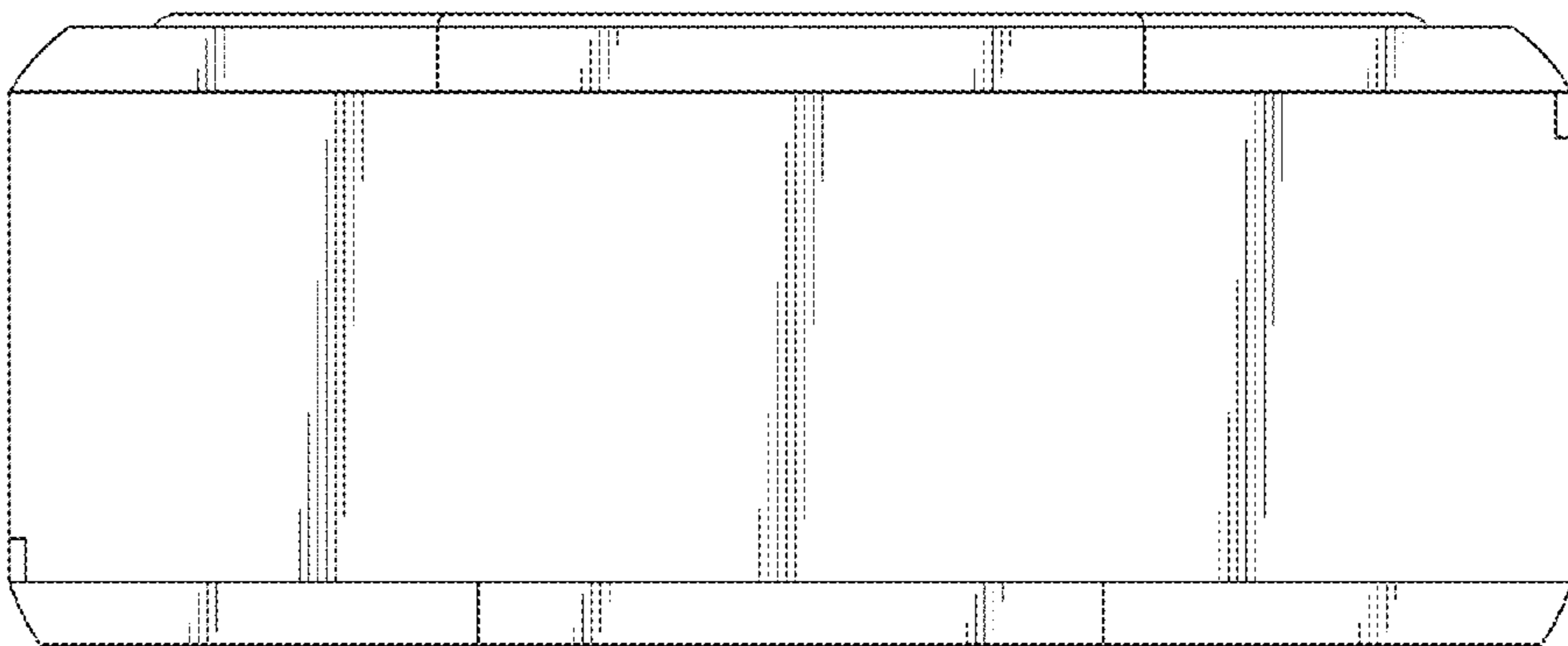


FIG. 17

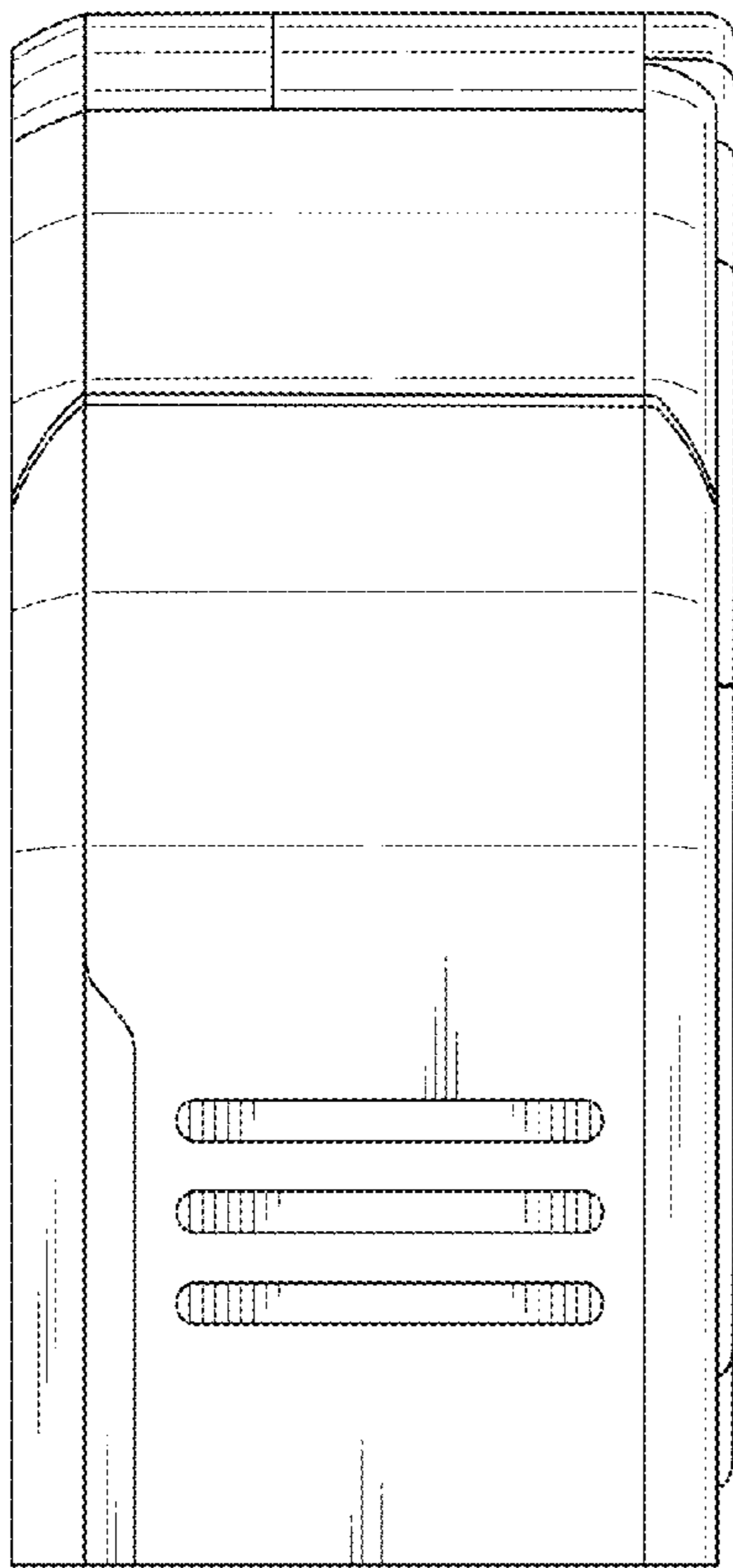


FIG. 19

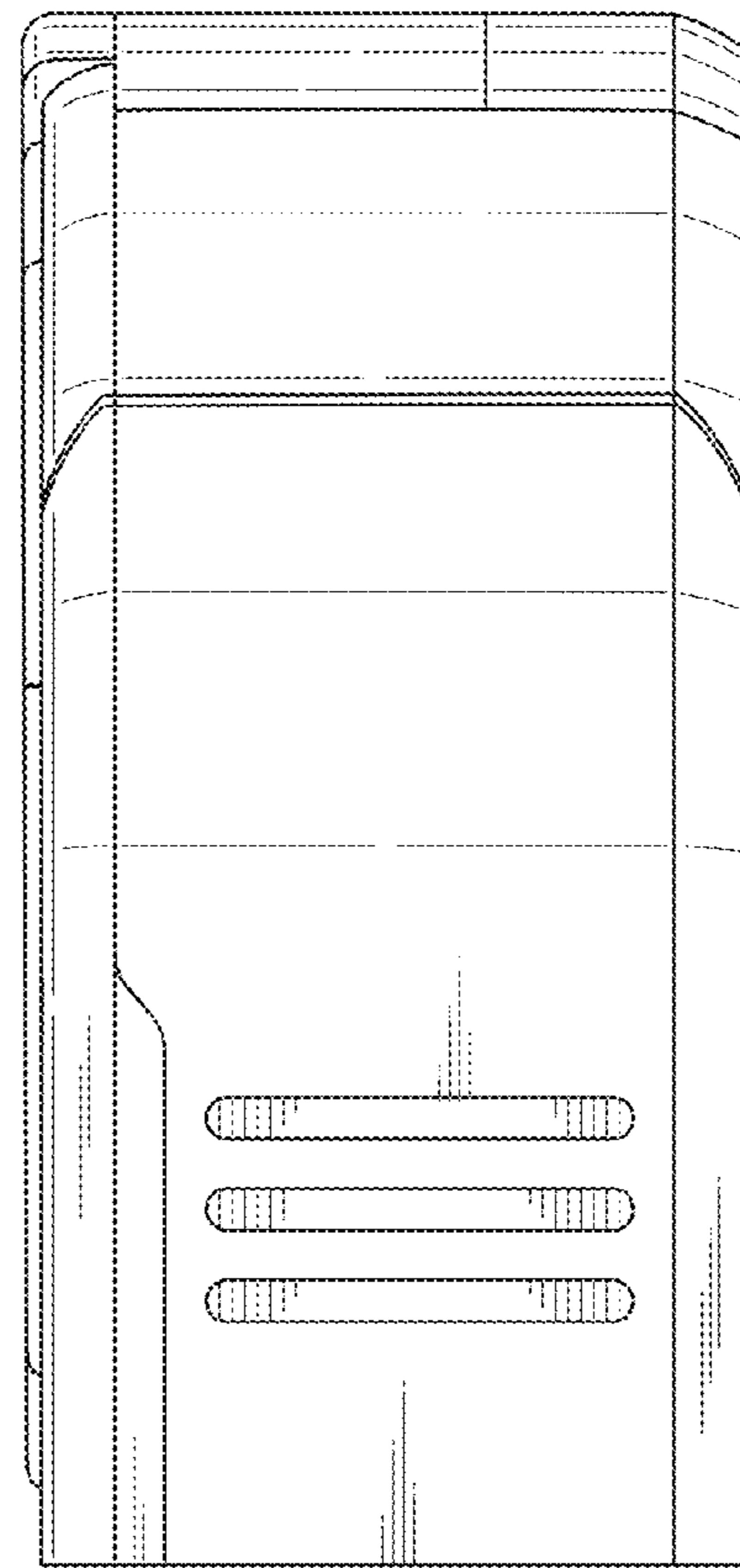


FIG. 18

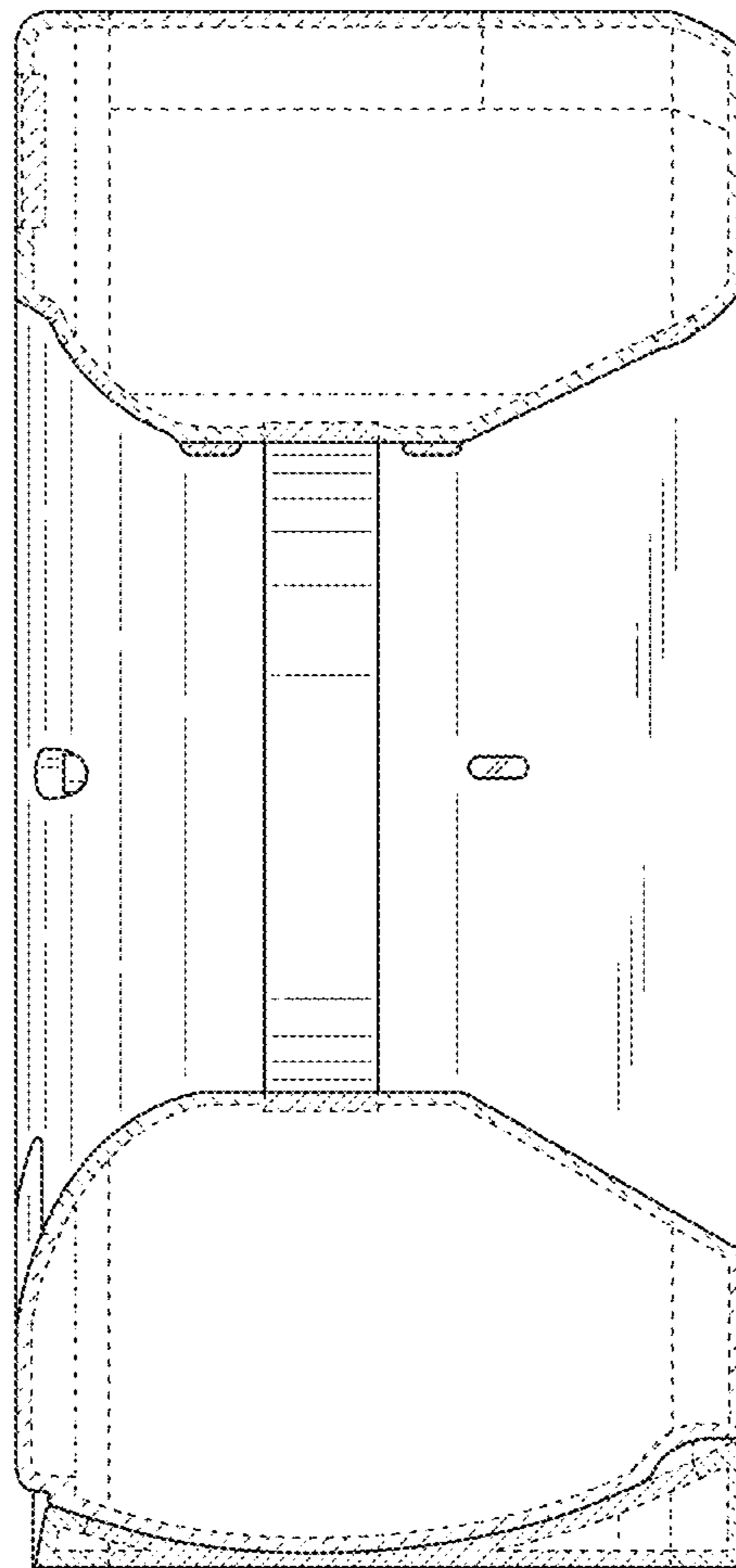


FIG. 20

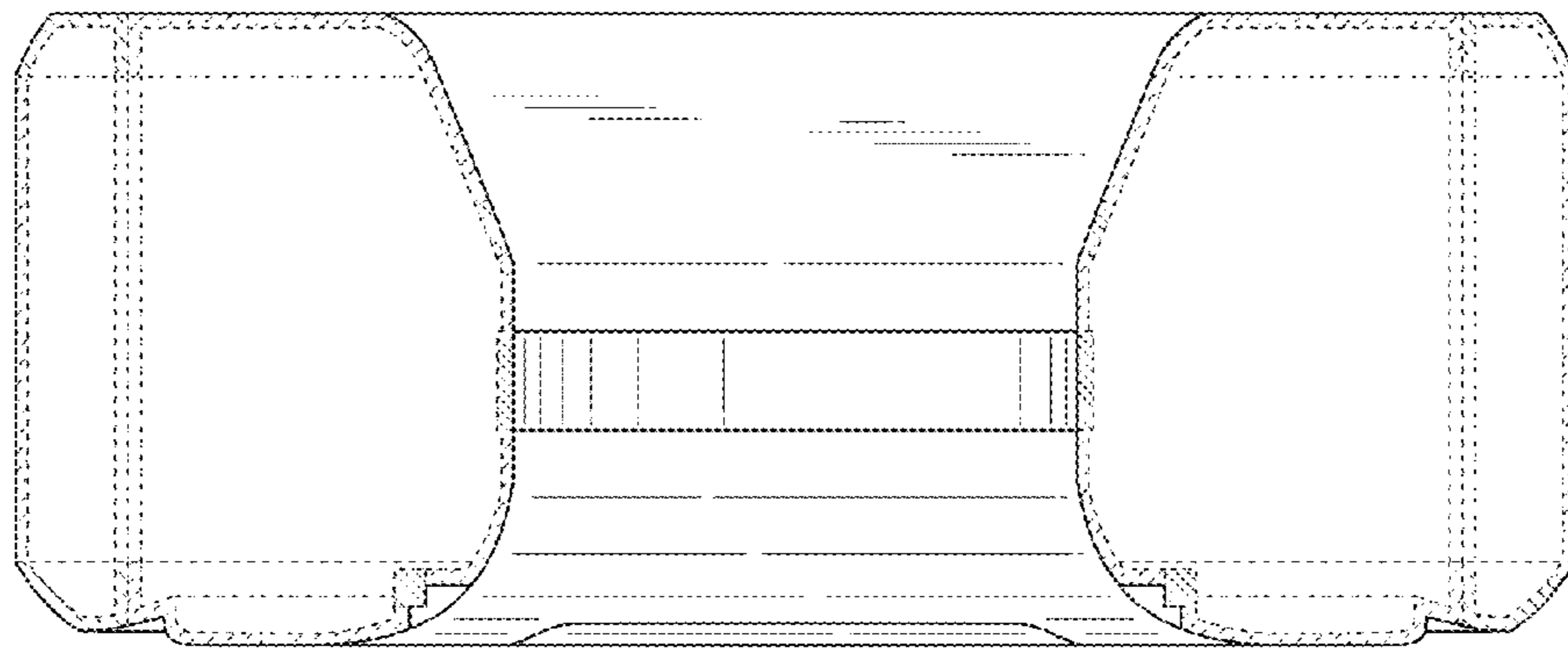


FIG. 21

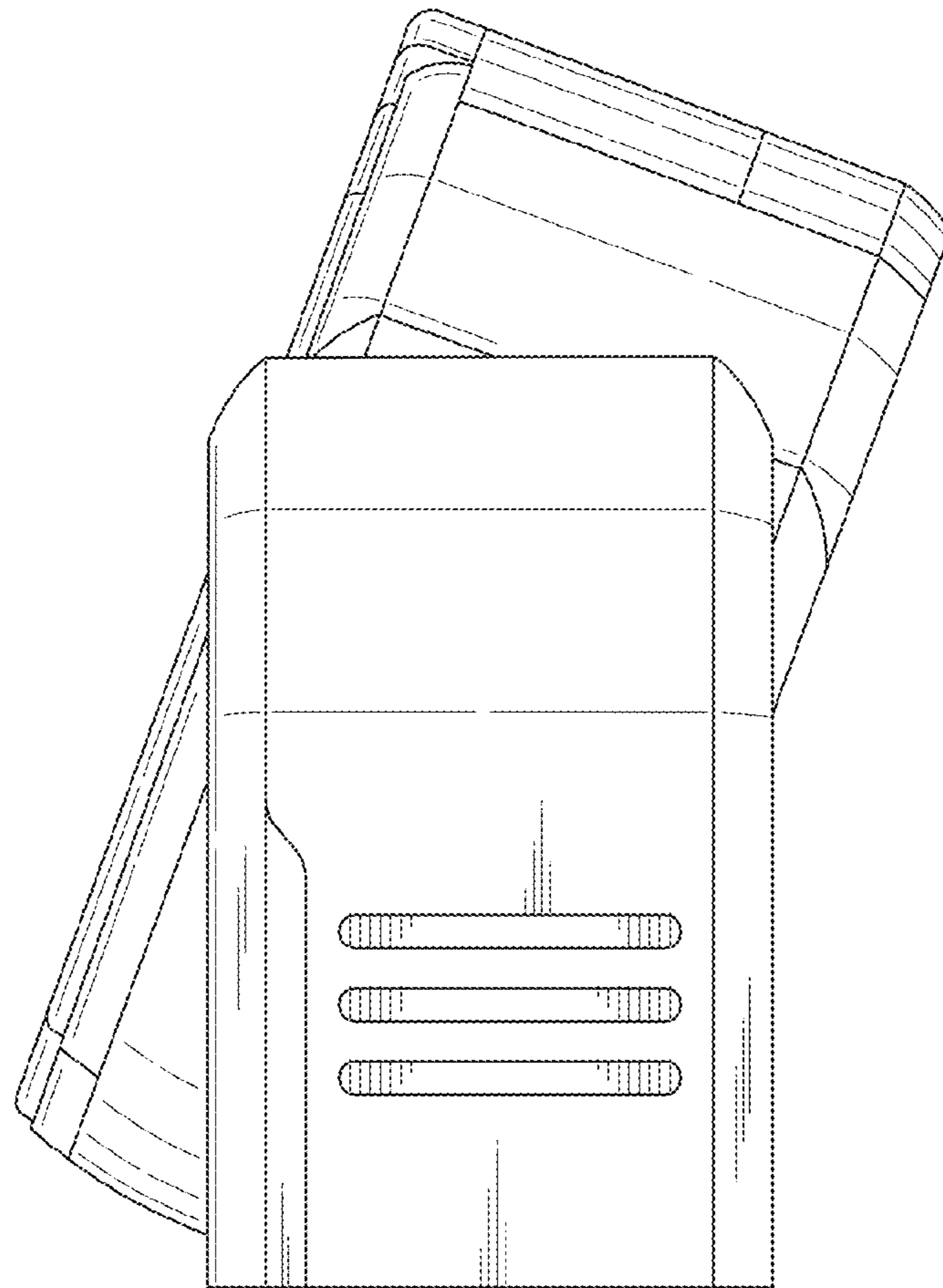


FIG. 22