



US00D701311S

(12) **United States Design Patent**
Ohmukai

(10) **Patent No.:** **US D701,311 S**
(45) **Date of Patent:** **** Mar. 18, 2014**

(54) **SCANNER FOR AN X-RAY TOMOGRAPHY
DIAGNOSIS APPARATUS**

(71) Applicants: **Kabushiki Kaisha Toshiba**, Tokyo (JP);
Toshiba Medical Systems Corporation,
Otawara (JP)

(72) Inventor: **Shinya Ohmukai**, Tokyo (JP)

(73) Assignees: **Kabushiki Kaisha Toshiba**, Tokyo (JP);
Toshiba Medical Systems Corporation,
Tochigi-Ken (JP)

(**) Term: **14 Years**

(21) Appl. No.: **29/455,950**

(22) Filed: **May 28, 2013**

(30) **Foreign Application Priority Data**

Nov. 29, 2012 (JP) 2012-029120

(51) **LOC (10) Cl.** **24-01**

(52) **U.S. Cl.**
USPC **D24/158**

(58) **Field of Classification Search**

USPC D24/158-161, 185, 186; 378/4, 15, 17,
378/20, 21, 23-27, 62, 68, 146, 195-198,
378/57; 600/410, 421, 422

See application file for complete search history.

(56) **References Cited**

U.S. PATENT DOCUMENTS

D414,868 S * 10/1999 Baars D24/158
D420,134 S * 2/2000 Kitayama D24/159
D557,418 S * 12/2007 Onuma et al. D24/158
D590,504 S * 4/2009 Ogiwara D24/158
D625,416 S * 10/2010 Kasai et al. D24/158
D628,294 S * 11/2010 Baba D24/158

D649,250 S * 11/2011 Ishihara et al. D24/158
D666,723 S * 9/2012 Laukkanen et al. D24/158
D683,023 S * 5/2013 Andersson et al. D24/158
D683,025 S * 5/2013 Banryu D24/158
2013/0188768 A1 * 7/2013 Lee 378/4

FOREIGN PATENT DOCUMENTS

JP 1299954 5/2007
JP 1325882 3/2008
JP 1359834 3/2010
JP 1363978 4/2010
JP 1433559 2/2012

* cited by examiner

Primary Examiner — Anhdao Doan

(74) *Attorney, Agent, or Firm* — Banner & Witcoff, Ltd

(57) **CLAIM**

The ornamental design for a scanner for an x-ray tomography diagnosis apparatus, as shown and described.

DESCRIPTION

FIG. 1 is a front, top and right side perspective view of a scanner for an x-ray tomography diagnosis apparatus, showing my new design;

FIG. 2 is a rear, top and right side perspective view thereof;

FIG. 3 is a front view thereof;

FIG. 4 is a rear view thereof;

FIG. 5 is a top view thereof;

FIG. 6 is a bottom view thereof;

FIG. 7 is a right side view thereof;

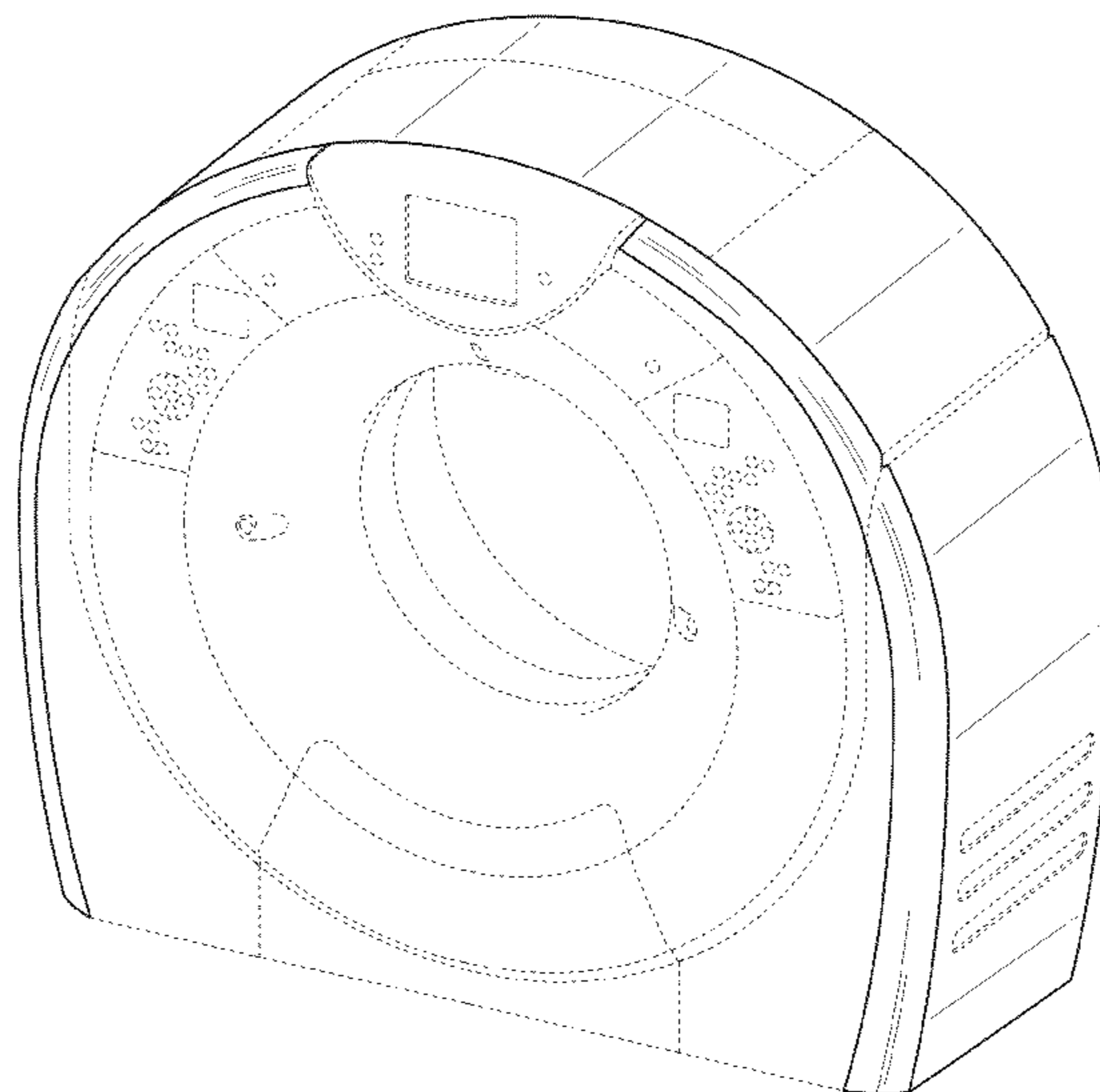
FIG. 8 is a left side view thereof;

FIG. 9 is a cross sectional view thereof, taken along the line 9-9 in FIG. 3, with its internal mechanisms omitted; and,

FIG. 10 is a cross sectional view thereof, taken along the line 10-10 in FIG. 3, with its internal mechanisms omitted.

The broken lines are for illustrative purposes only and form no part of the claimed design.

1 Claim, 8 Drawing Sheets



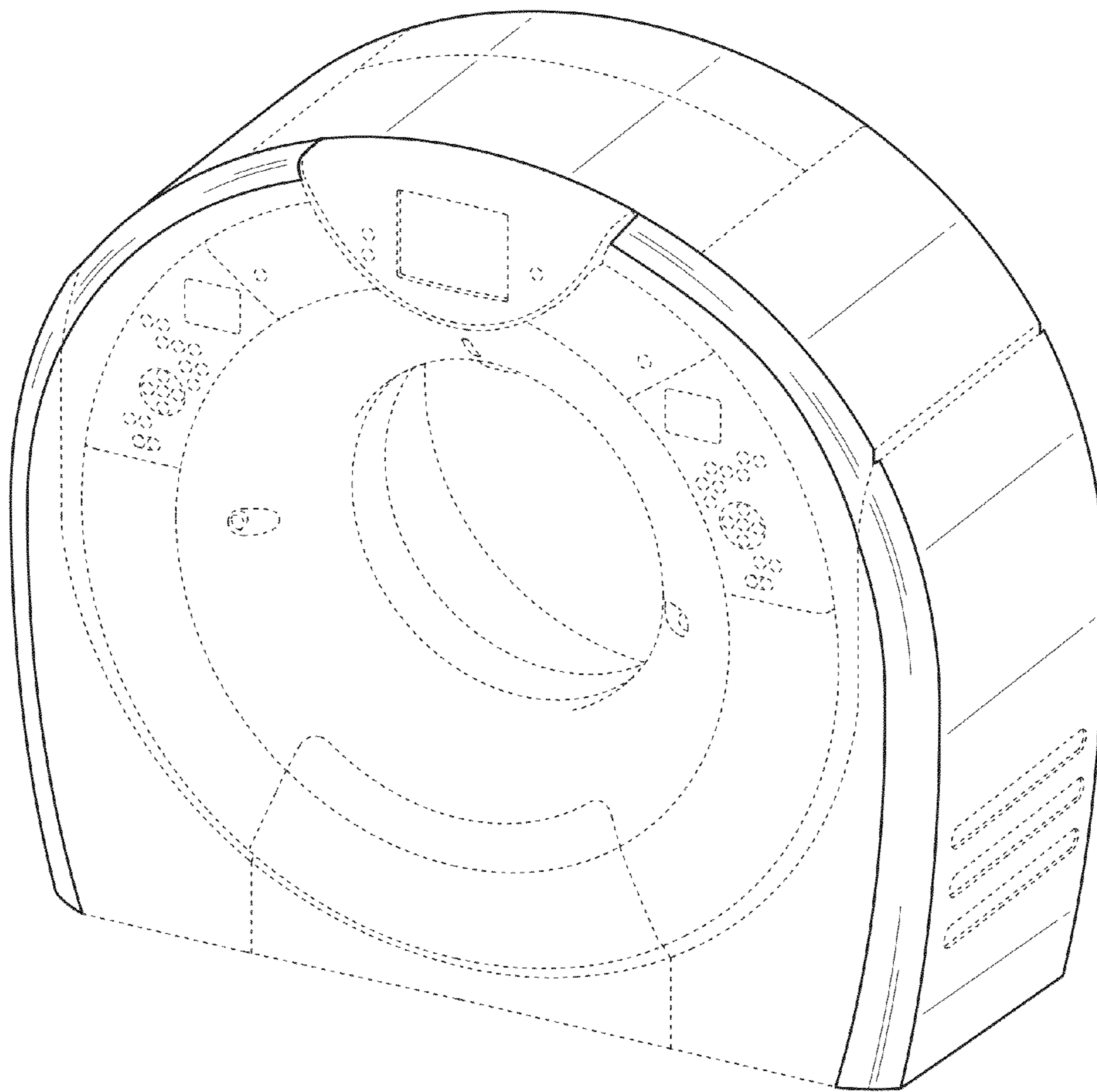


FIG. 1

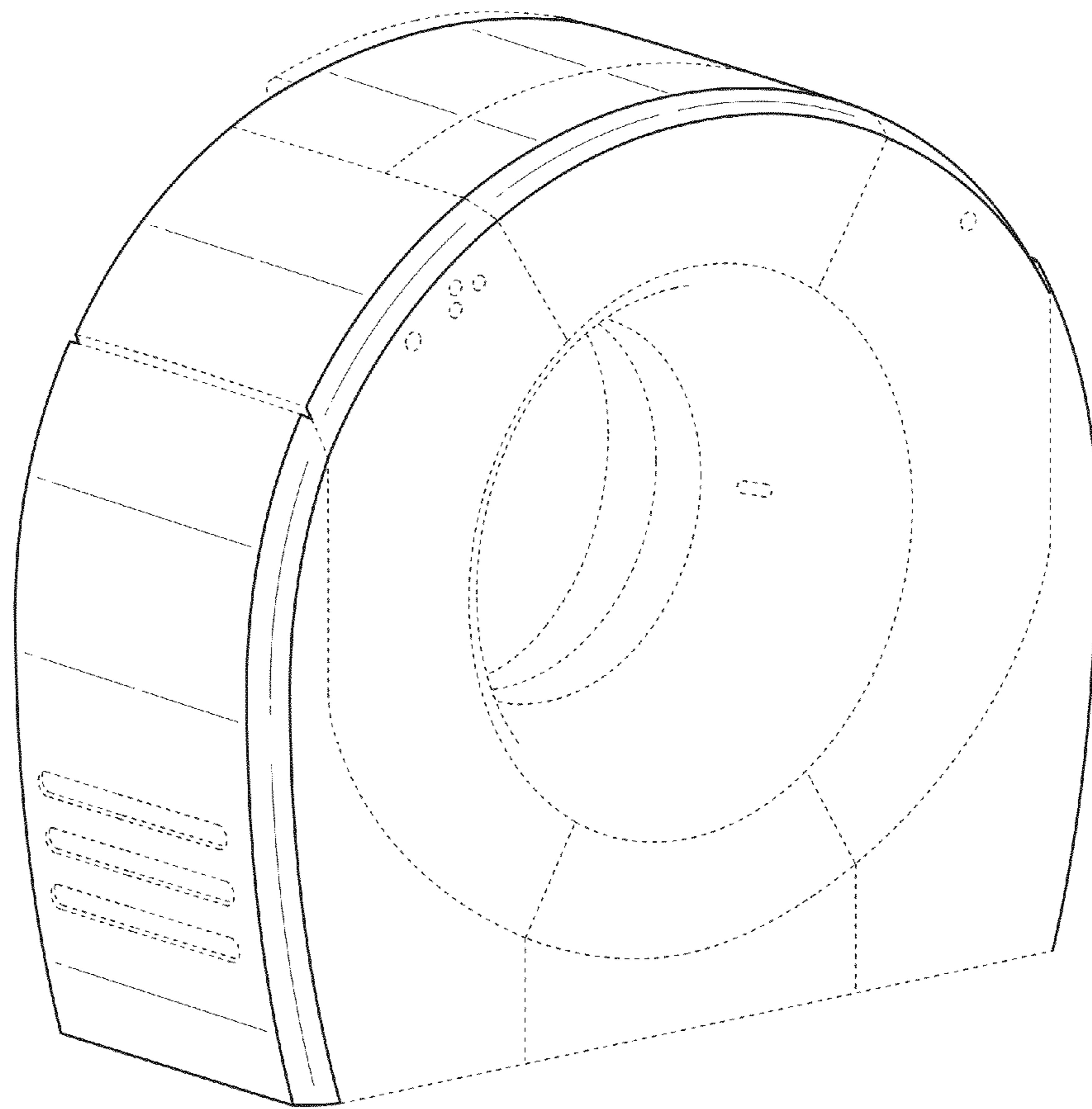


FIG. 2

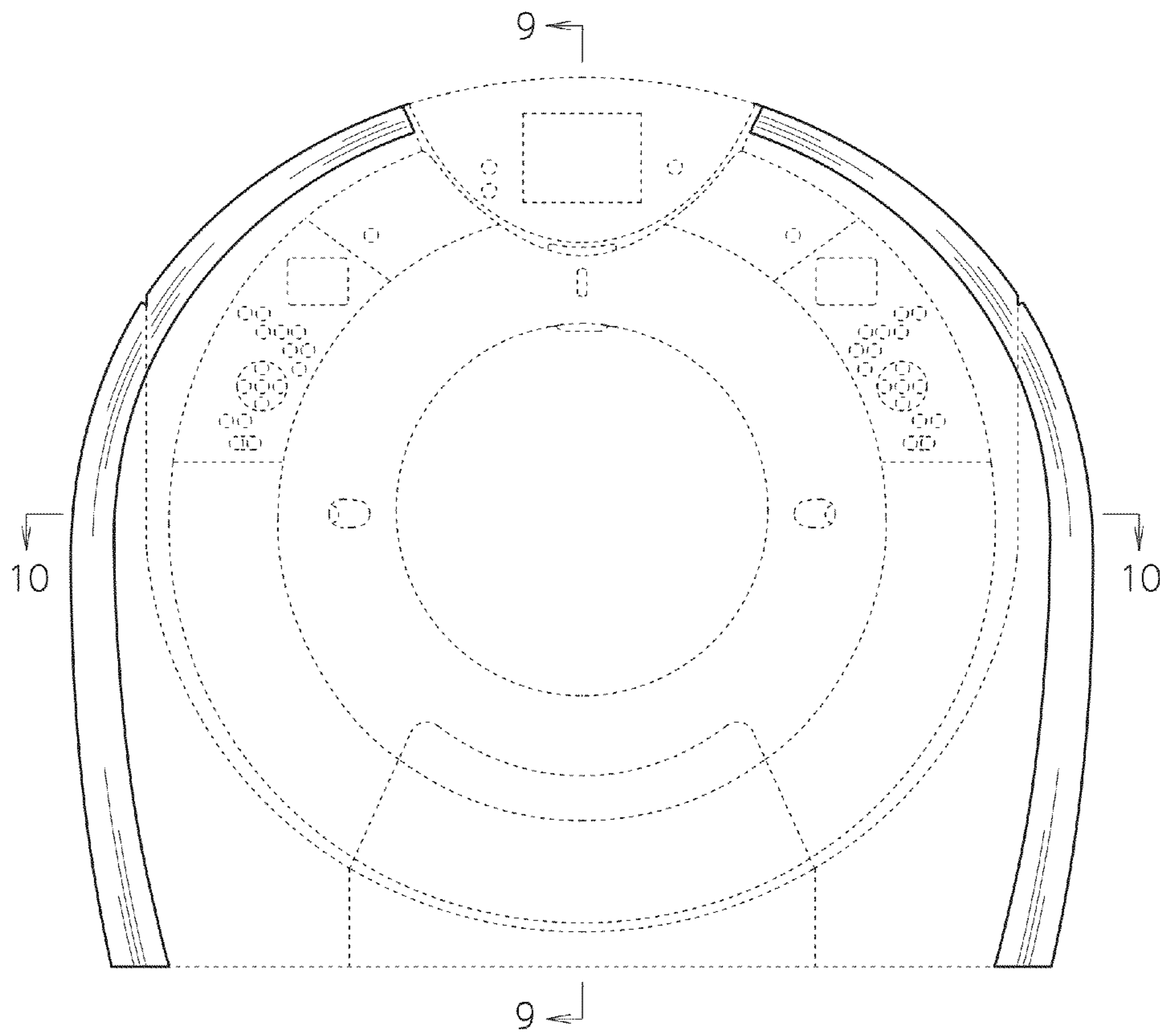


FIG. 3

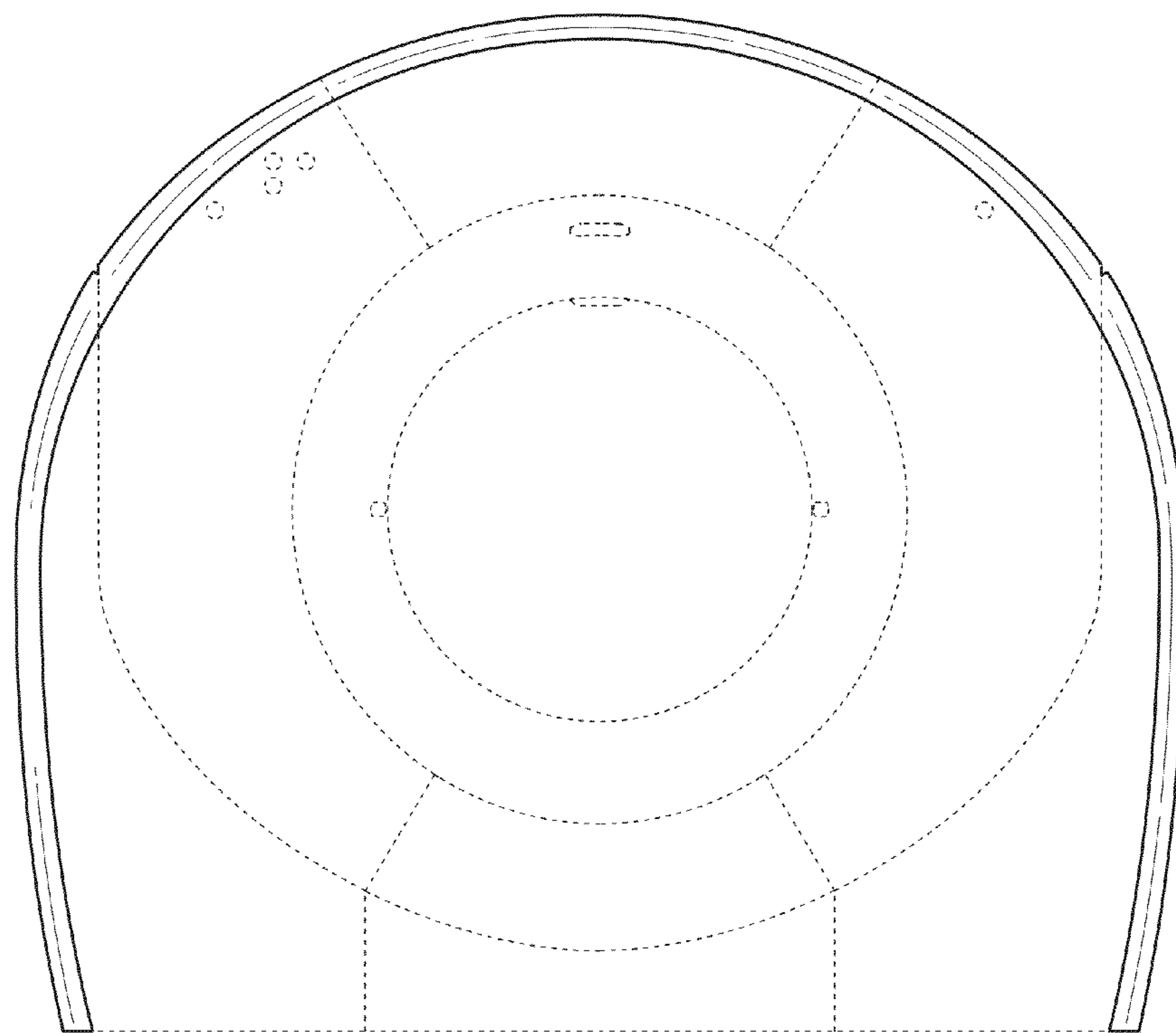


FIG. 4

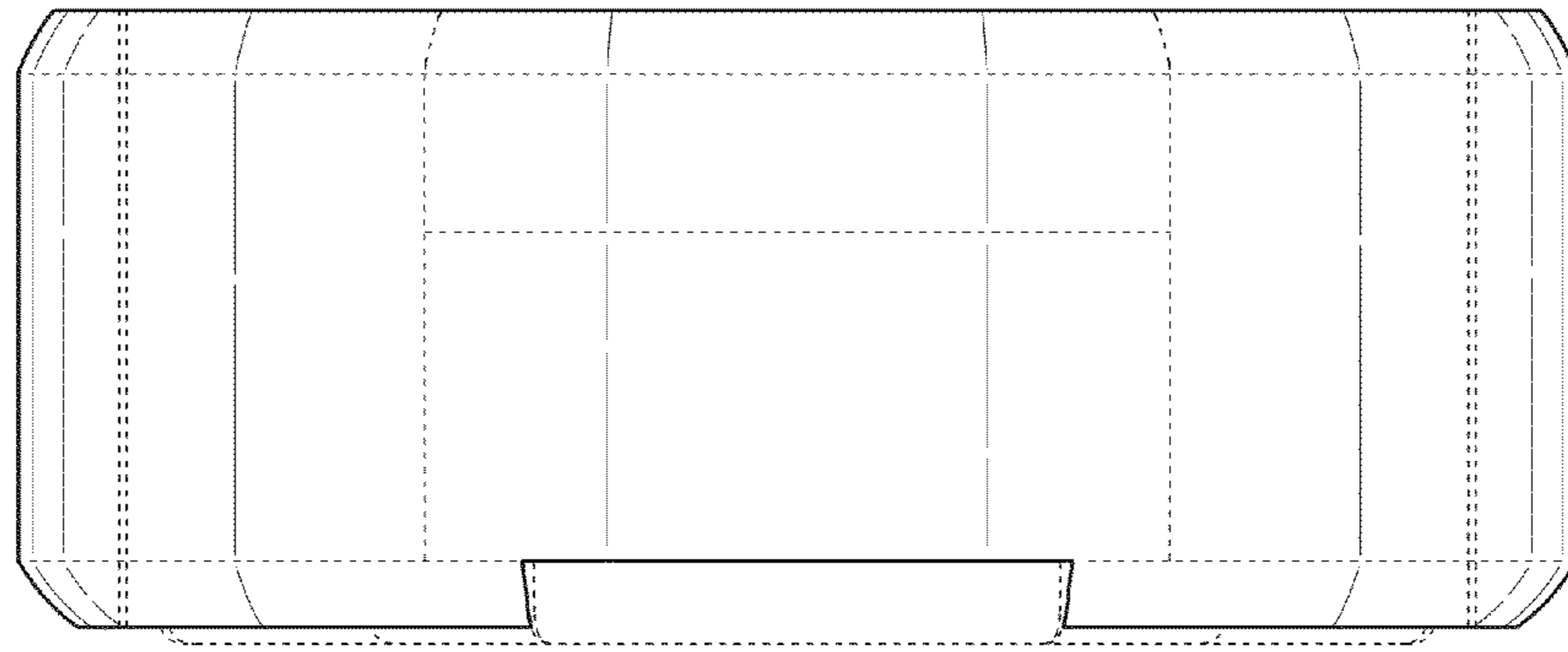


FIG. 5

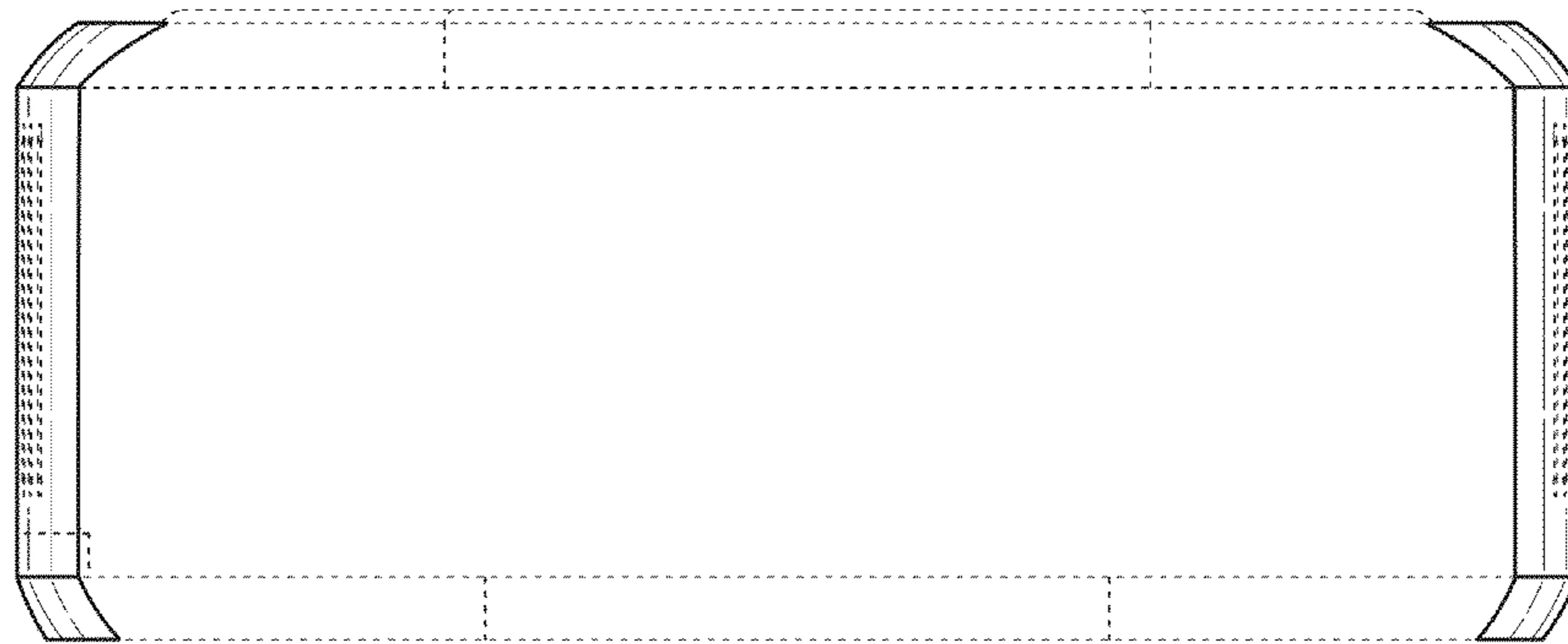


FIG. 6

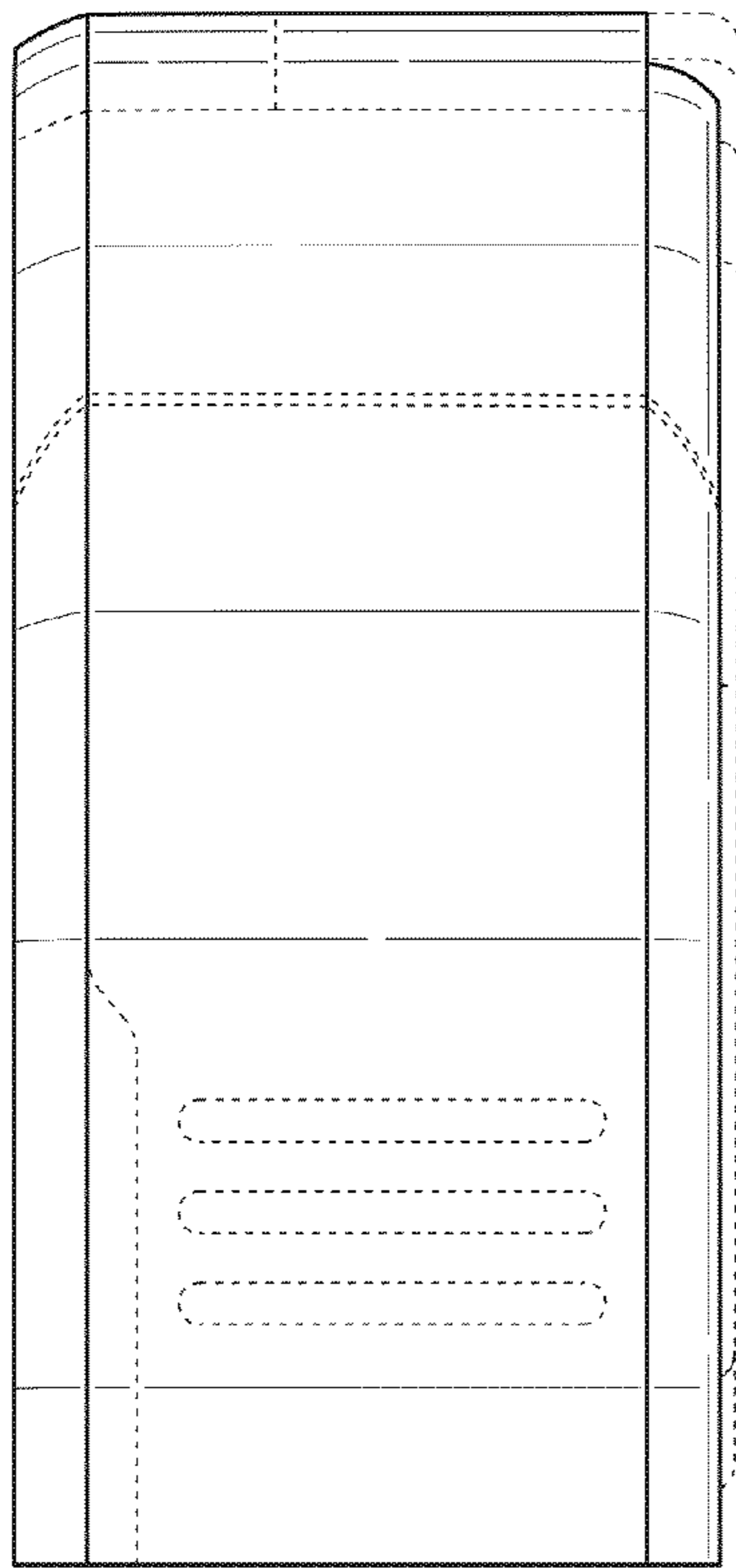


FIG. 8

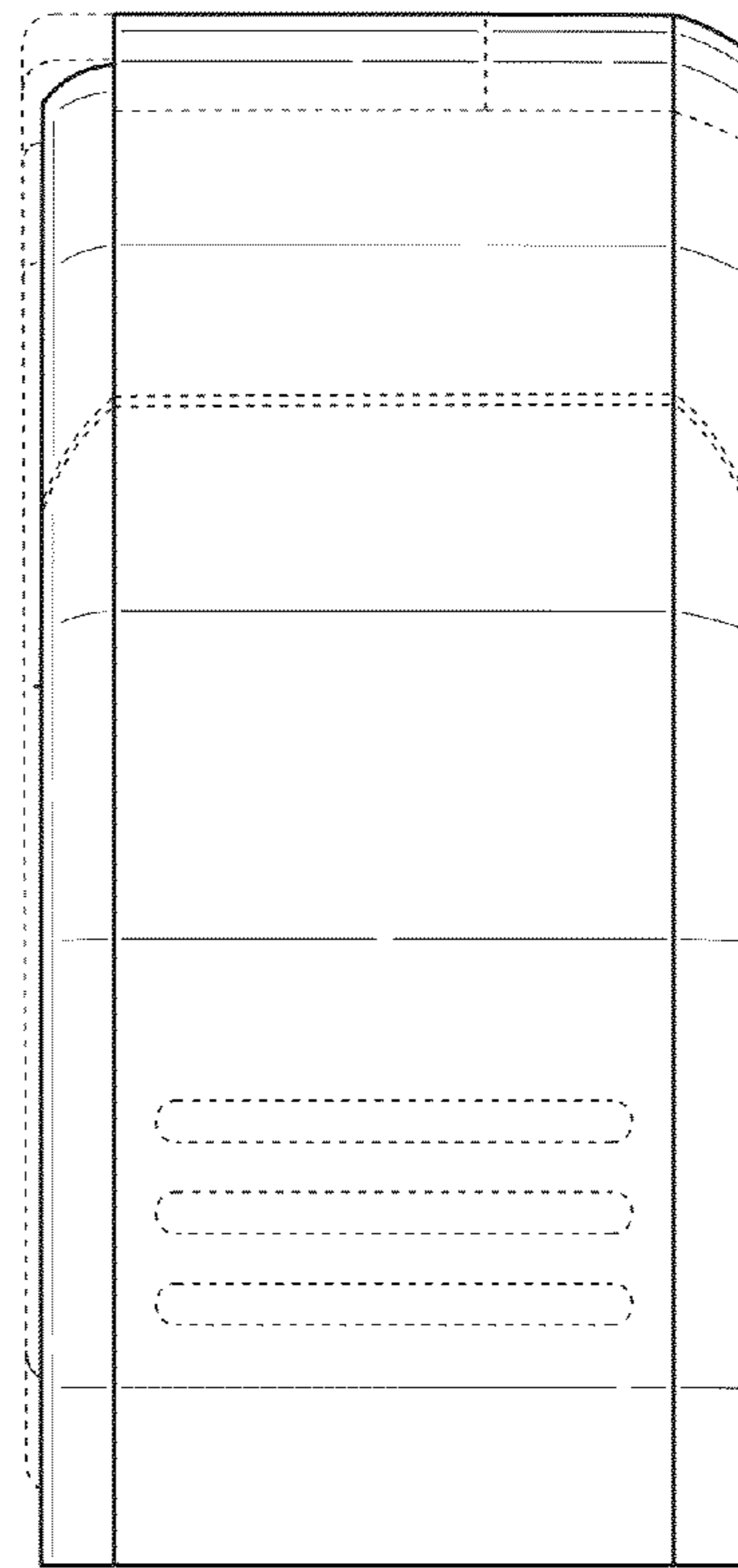


FIG. 7

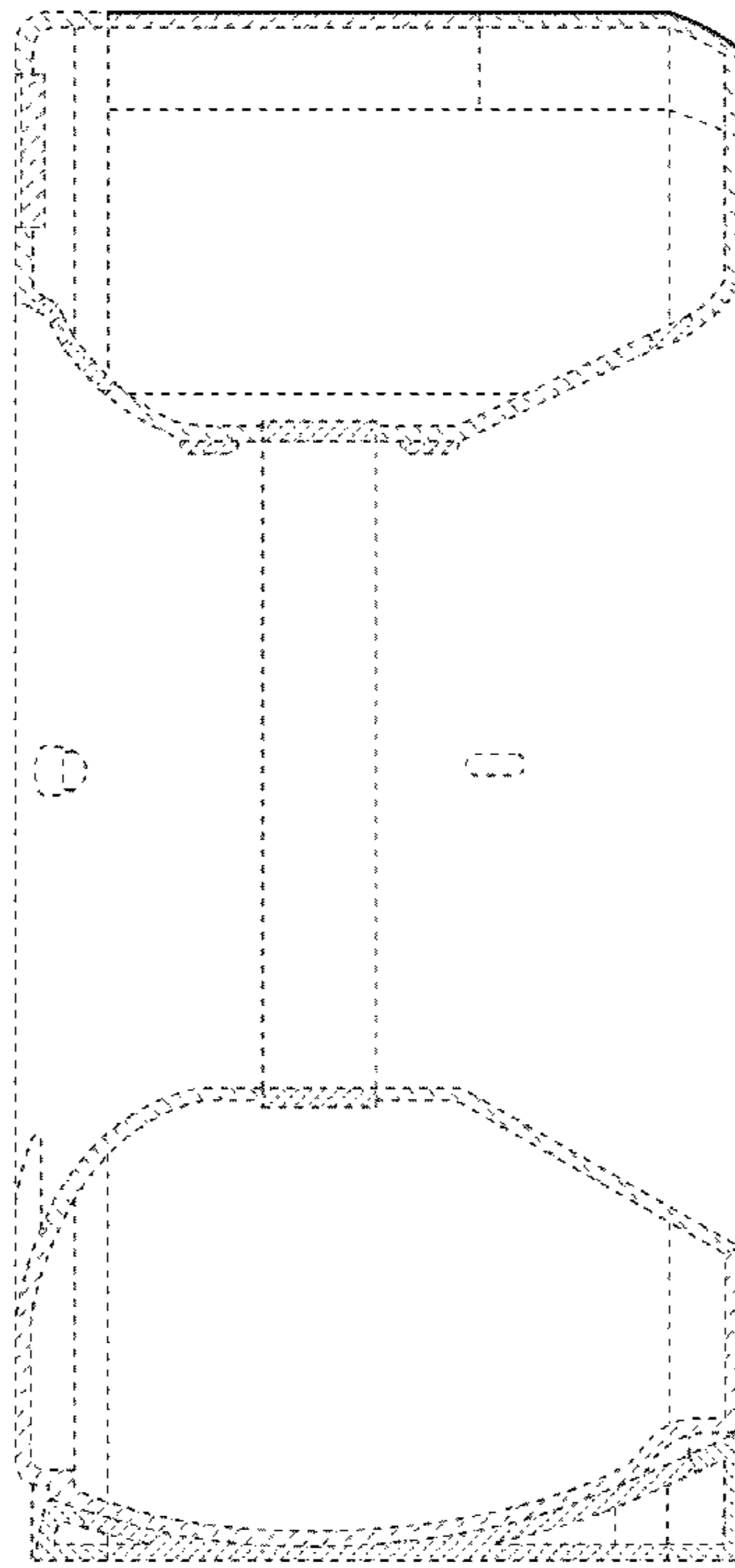


FIG. 9

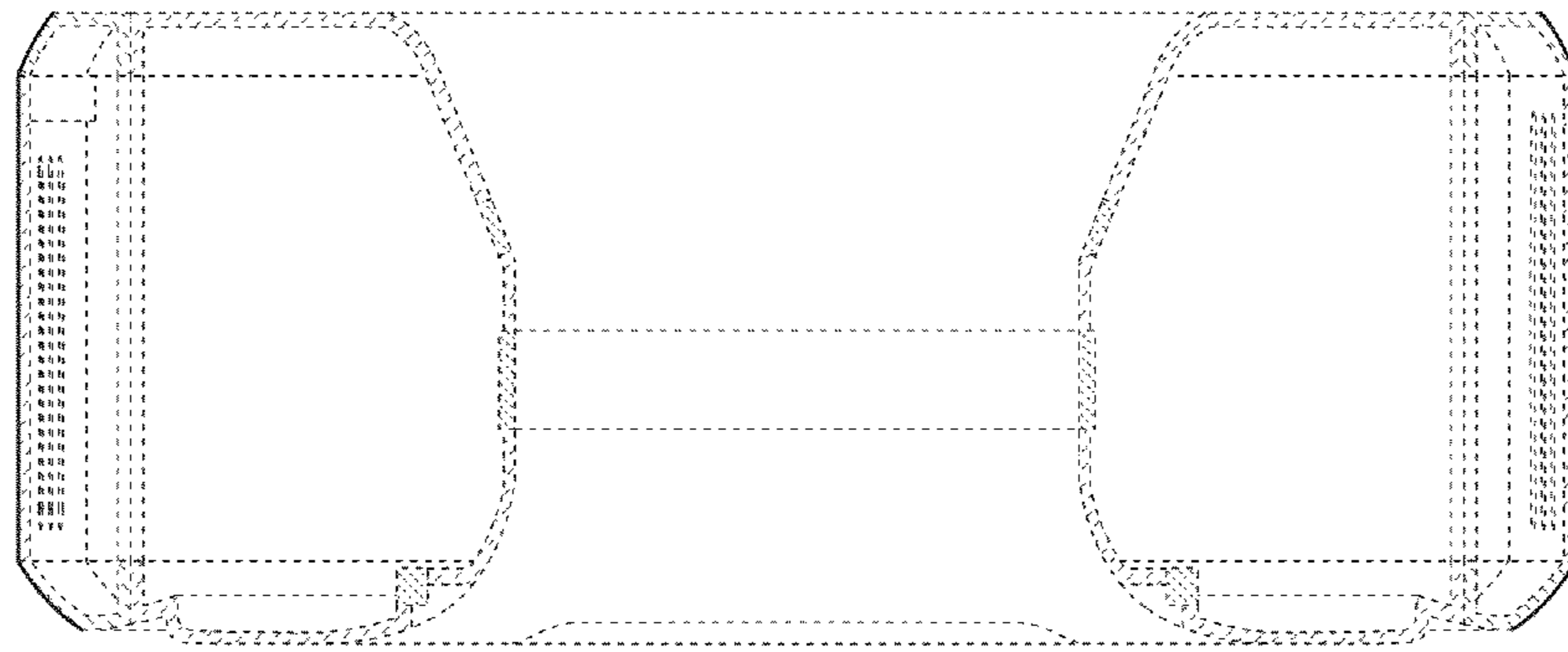


FIG. 10