



US00D701310S

(12) **United States Design Patent**
Ohmukai

(10) **Patent No.:** **US D701,310 S**
(45) **Date of Patent:** **** Mar. 18, 2014**

(54) **MAGNETIC RESONANCE TOMOGRAPHY
DIAGNOSIS APPARATUS**

FOREIGN PATENT DOCUMENTS

JP 1440308 5/2012

(71) Applicants: **Kabushiki Kaisha Toshiba**, Tokyo (JP);
Toshiba Medical Systems Corporation,
Otawara (JP)

OTHER PUBLICATIONS

“Magnetom Trio” of Siemens-Asahi Medical Technologies Ltd shown in the website <http://www.medical.siemens.com/webapp/wcs/stores/servlet/ProductDisplay?storeId=10001&langId=-10&catalogId=-10&catTree=...> Browsed Oct. 23, 2006 (1 page).

(72) Inventor: **Shinya Ohmukai**, Tokyo (JP)

* cited by examiner

(73) Assignees: **Kabushiki Kaisha Toshiba**, Tokyo (JP);
Toshiba Medical Systems Corporation,
Tochigi-Ken (JP)

Primary Examiner — Anhdao Doan

(**) Term: **14 Years**

(74) *Attorney, Agent, or Firm* — Banner & Witcoff, Ltd.

(21) Appl. No.: **29/455,346**

(22) Filed: **May 20, 2013**

(57) **CLAIM**

The ornamental design for a magnetic resonance tomography diagnosis apparatus, as shown and described.

(30) **Foreign Application Priority Data**

DESCRIPTION

Nov. 21, 2012 (JP) 2012-028448

(51) **LOC (10) Cl.** **24-01**

(52) **U.S. Cl.**
USPC **D24/158**

(58) **Field of Classification Search**
USPC D24/158-161, 185, 186; 378/4, 15, 17,
378/20, 21, 23-27, 62, 68, 146, 195-198,
378/57; 600/410, 421, 422
See application file for complete search history.

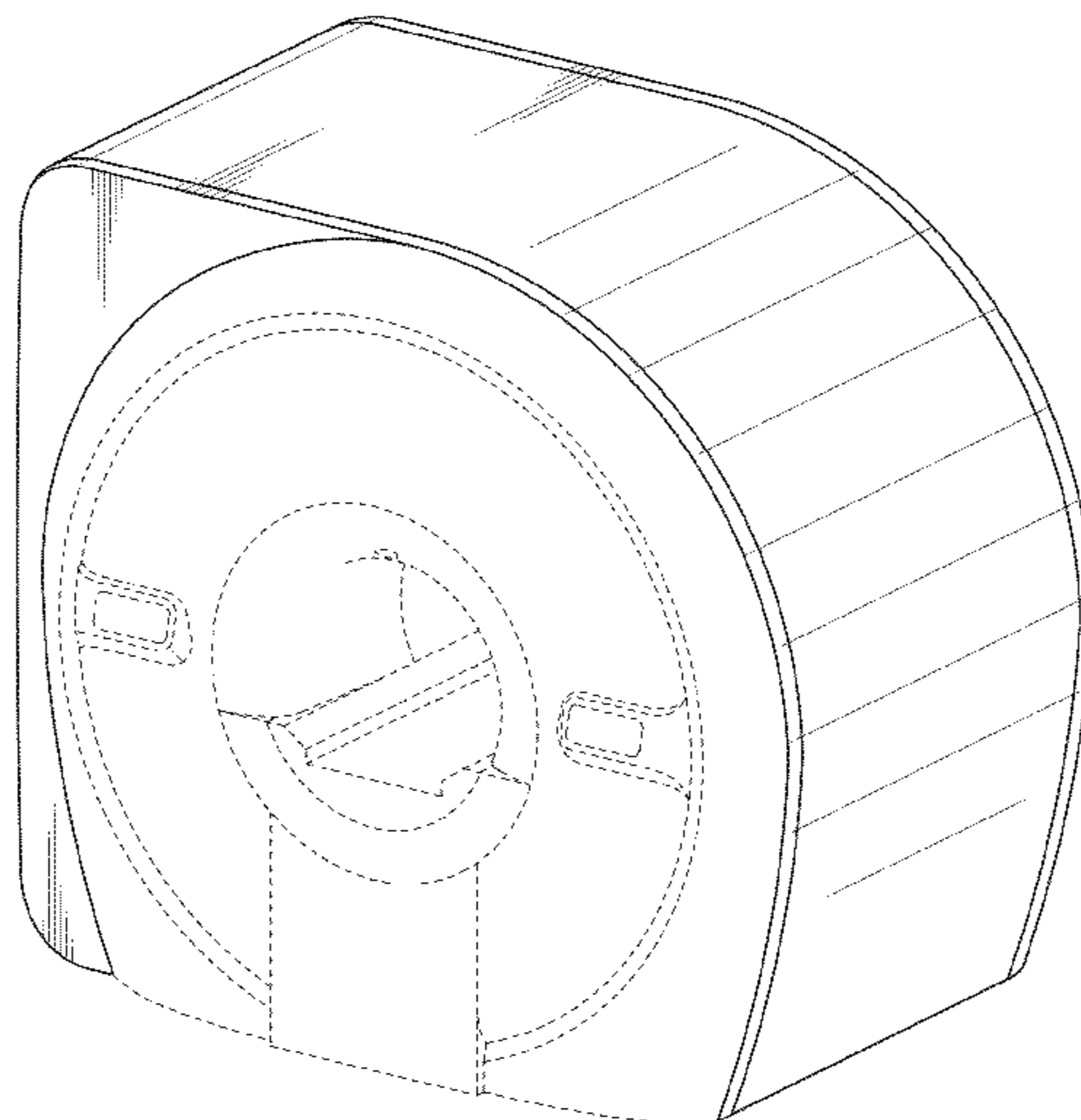
FIG. 1 is a front perspective view of a magnetic resonance tomography diagnosis apparatus, showing my new design; FIG. 2 is a rear perspective view thereof; FIG. 3 is a front elevational view thereof; FIG. 4 is a top plan view thereof; FIG. 5 is a left side elevational view thereof; FIG. 6 is a bottom plan view thereof; FIG. 7 is a right side elevational view thereof; FIG. 8 is a rear elevational view thereof; FIG. 9 is an enlarged cross sectional view thereof, taken along the line 9-9 in FIG. 3 with its internal mechanisms omitted; and, FIG. 10 is an enlarged cross sectional view thereof, taken along the line 10-10 in FIG. 3 with its internal mechanisms omitted. The broken lines are for illustrative purpose only and form no part of the claimed design.

(56) **References Cited**

U.S. PATENT DOCUMENTS

D557,418 S * 12/2007 Onuma et al. D24/158
D564,096 S * 3/2008 Banryu D24/158
D625,416 S * 10/2010 Kasai et al. D24/158
D628,294 S * 11/2010 Baba D24/158
D639,950 S * 6/2011 Ramos D24/158
D683,023 S * 5/2013 Andersson et al. D24/158
D683,025 S * 5/2013 Banryu D24/158
2013/0184564 A1 * 7/2013 Ninomiya et al. 600/415

1 Claim, 10 Drawing Sheets



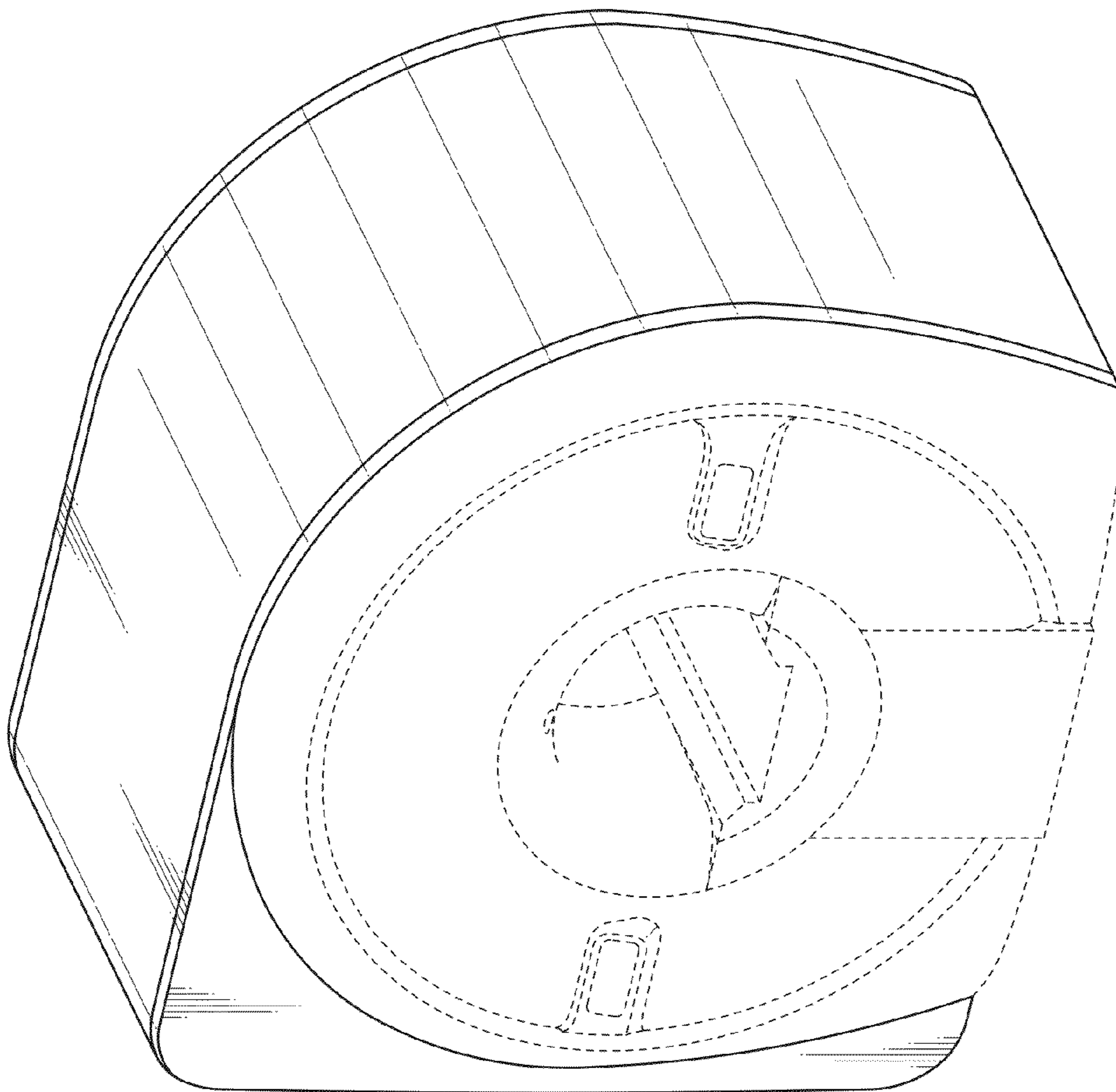


FIG. 1

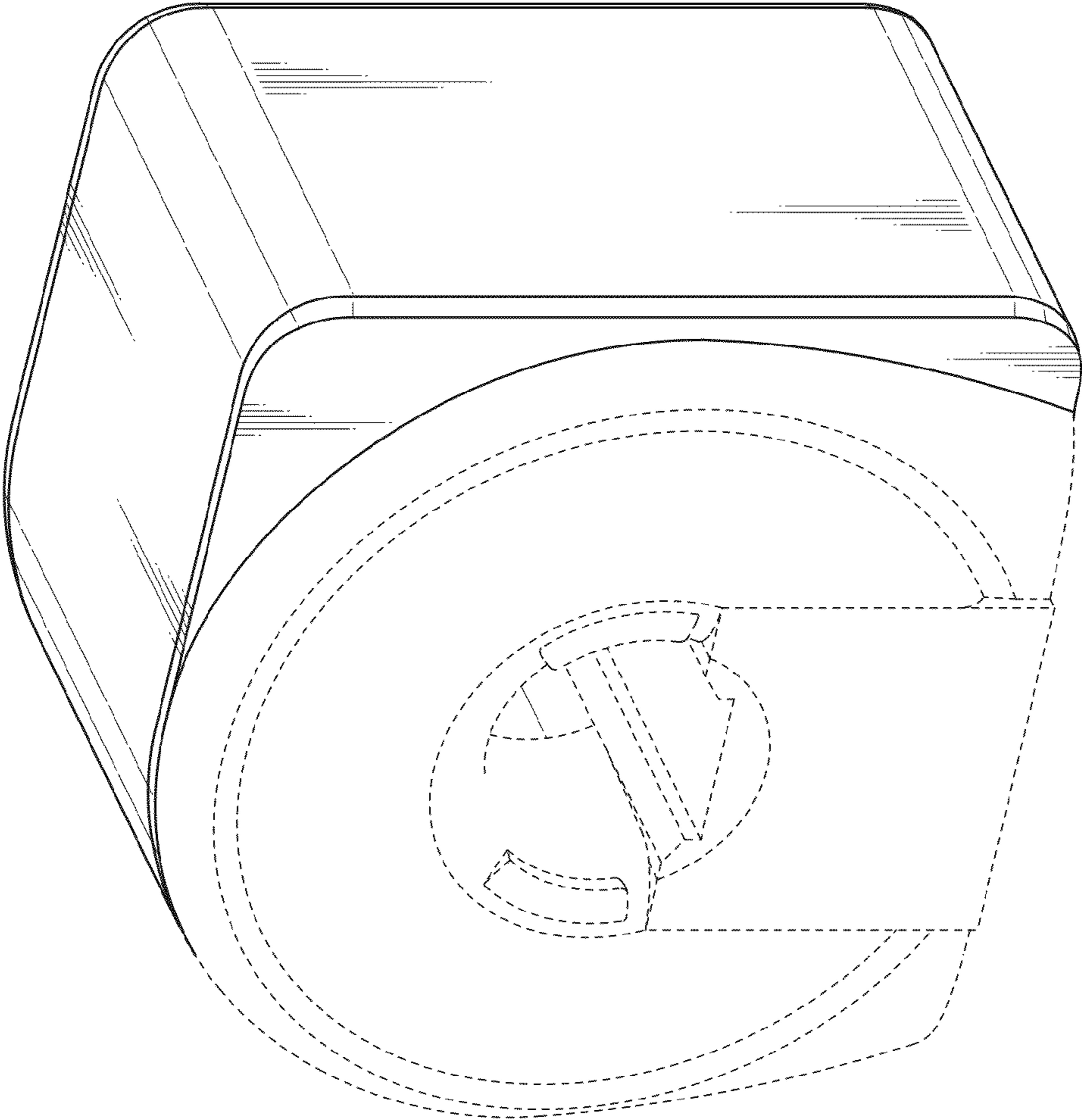


FIG. 2

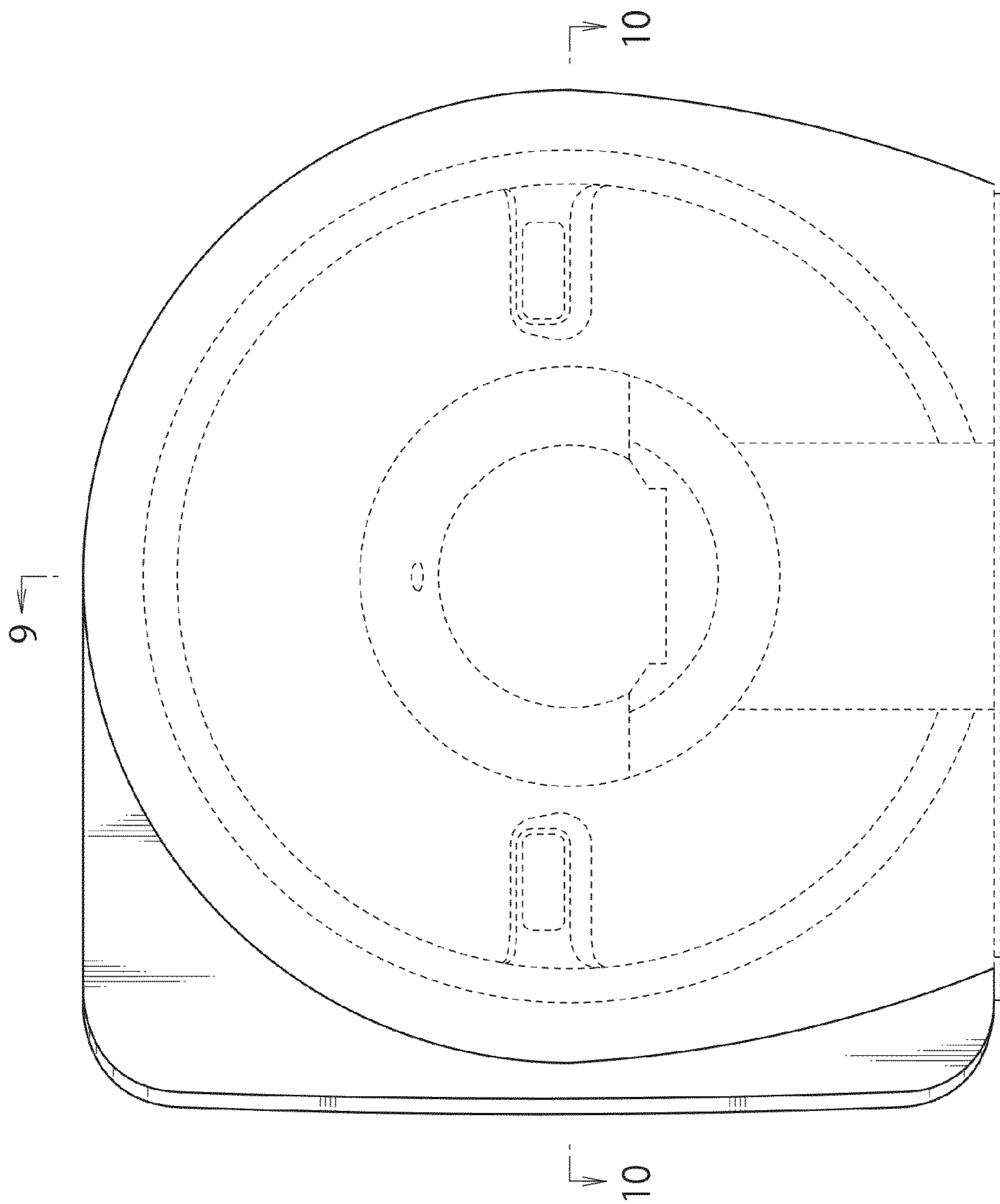


FIG. 3

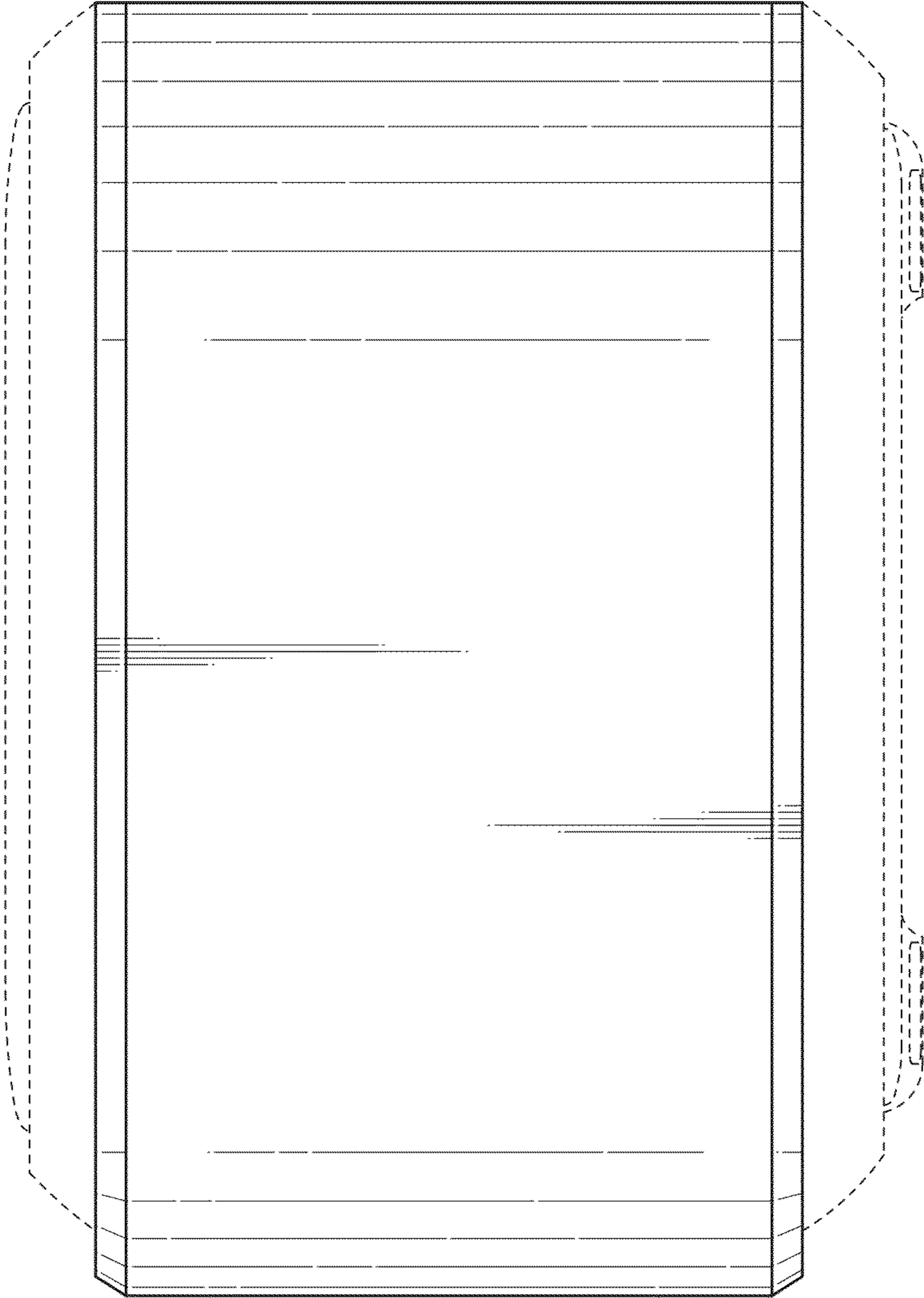


FIG. 4

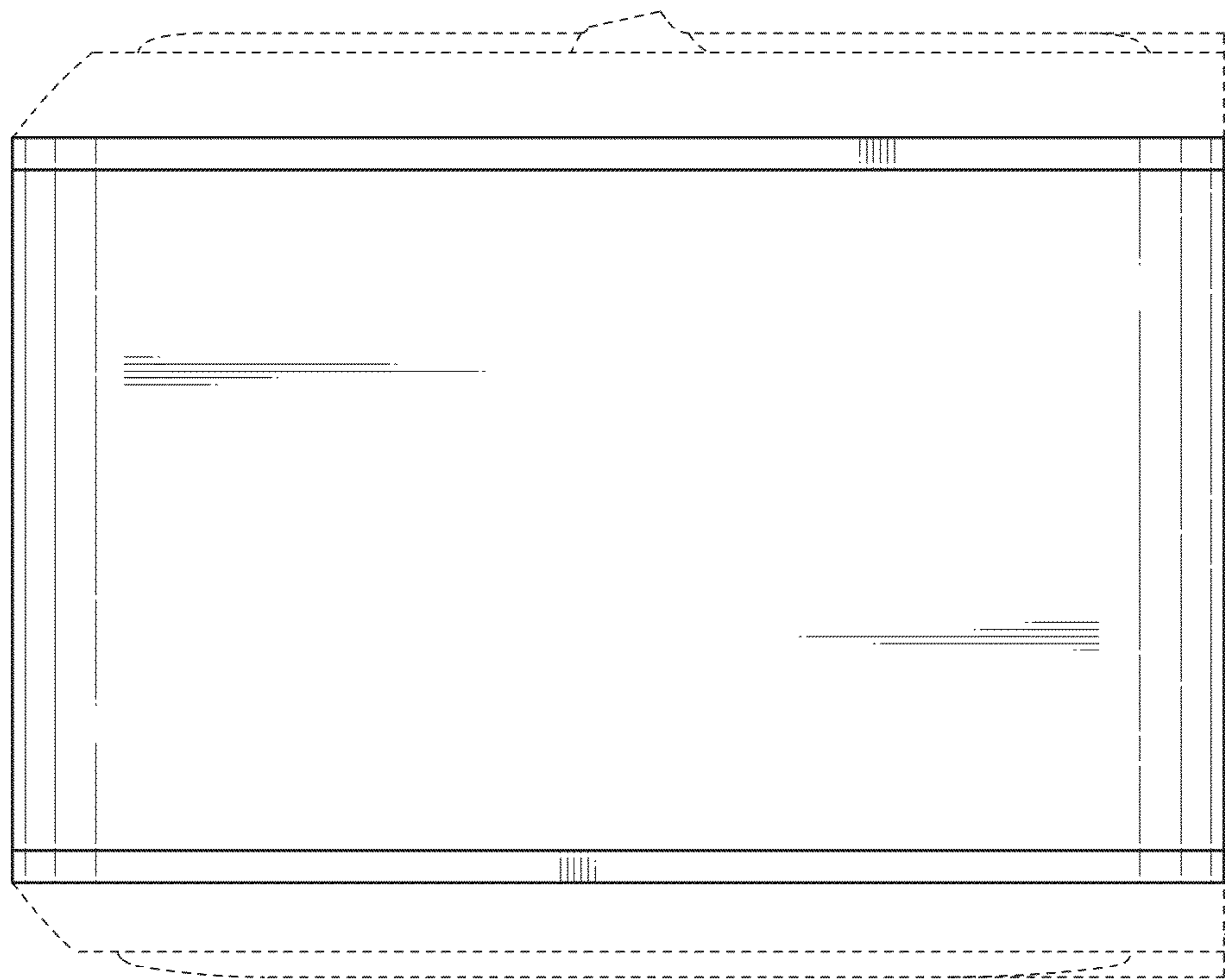


FIG. 5

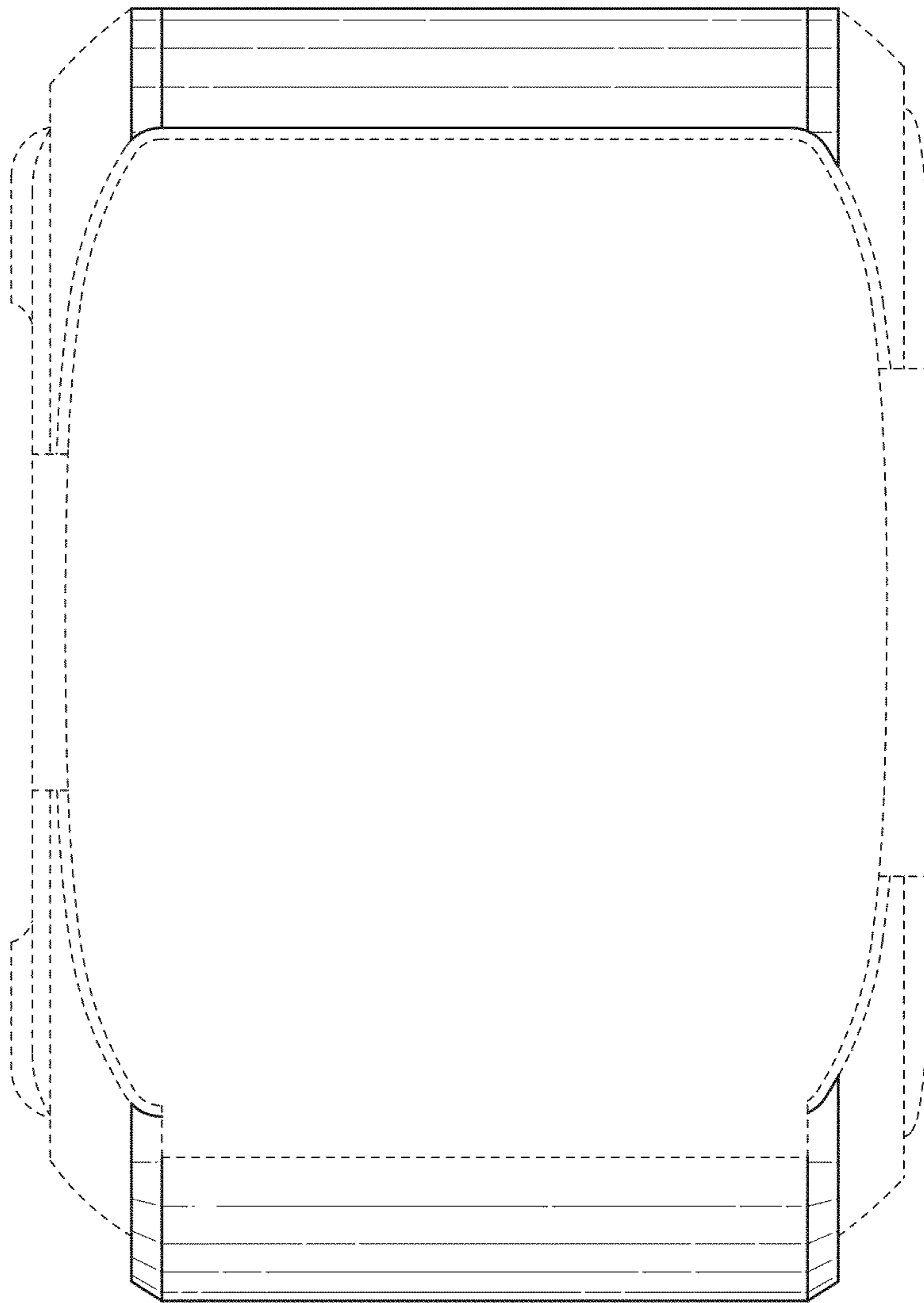


FIG. 6

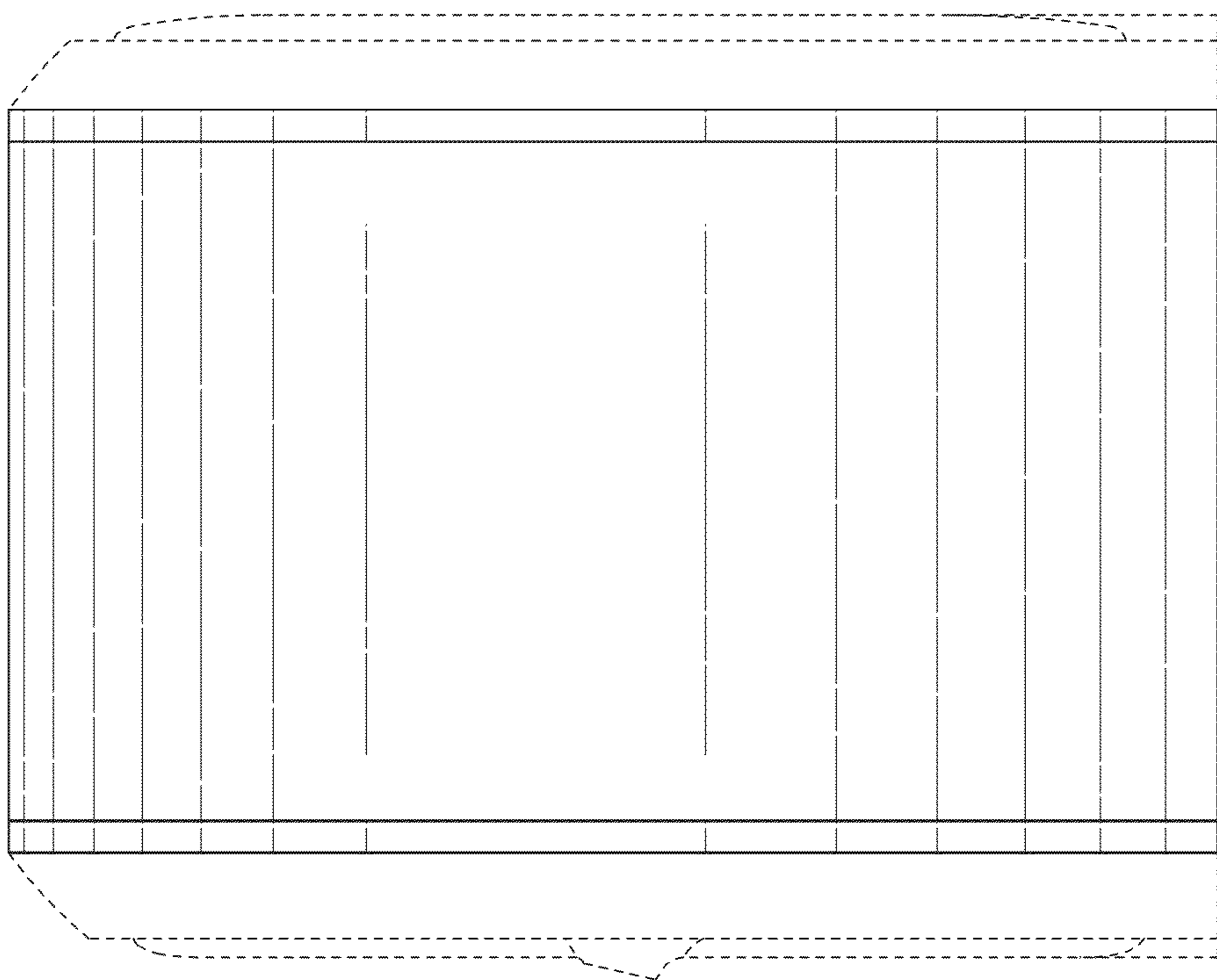


FIG. 7

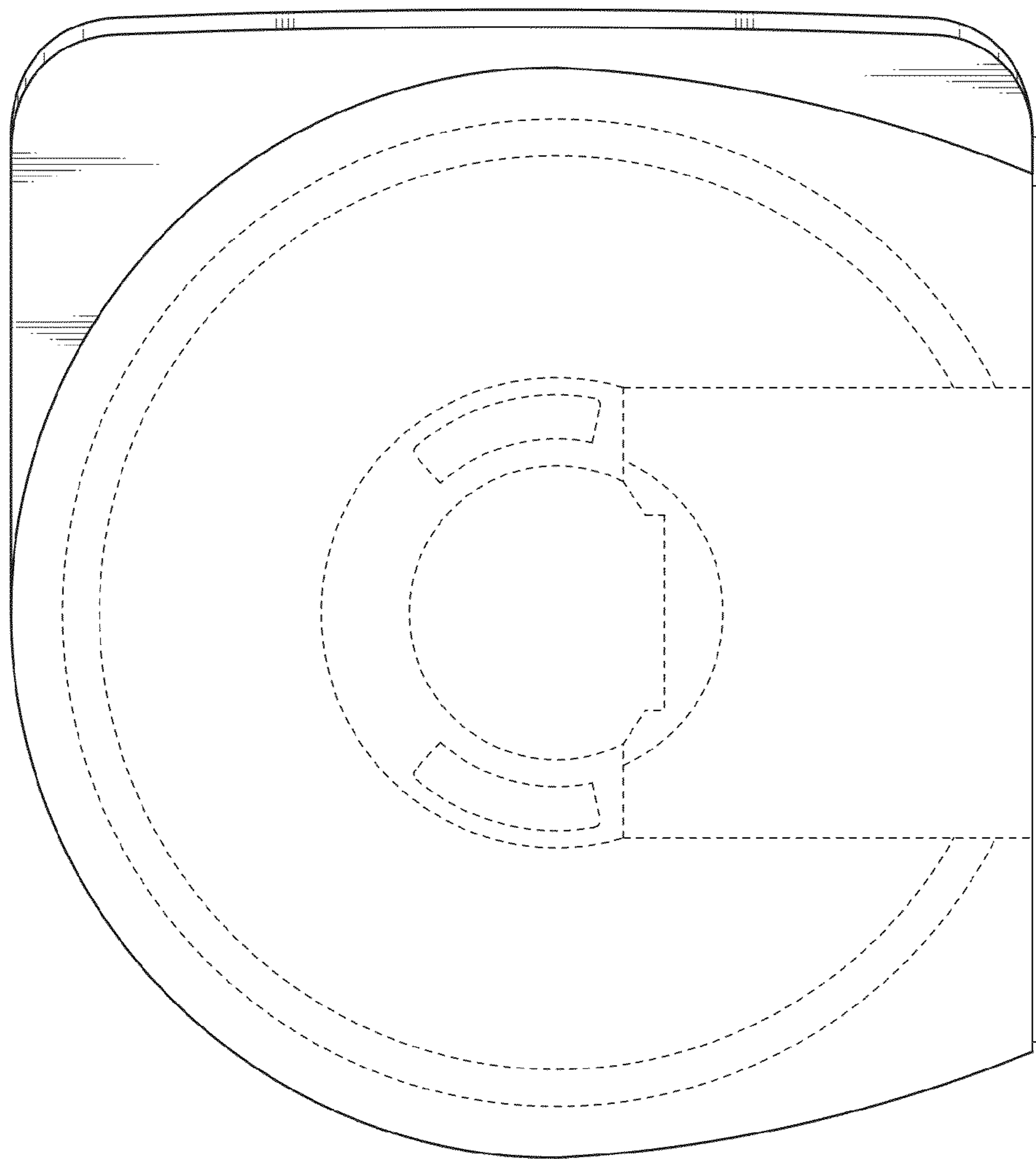


FIG. 8

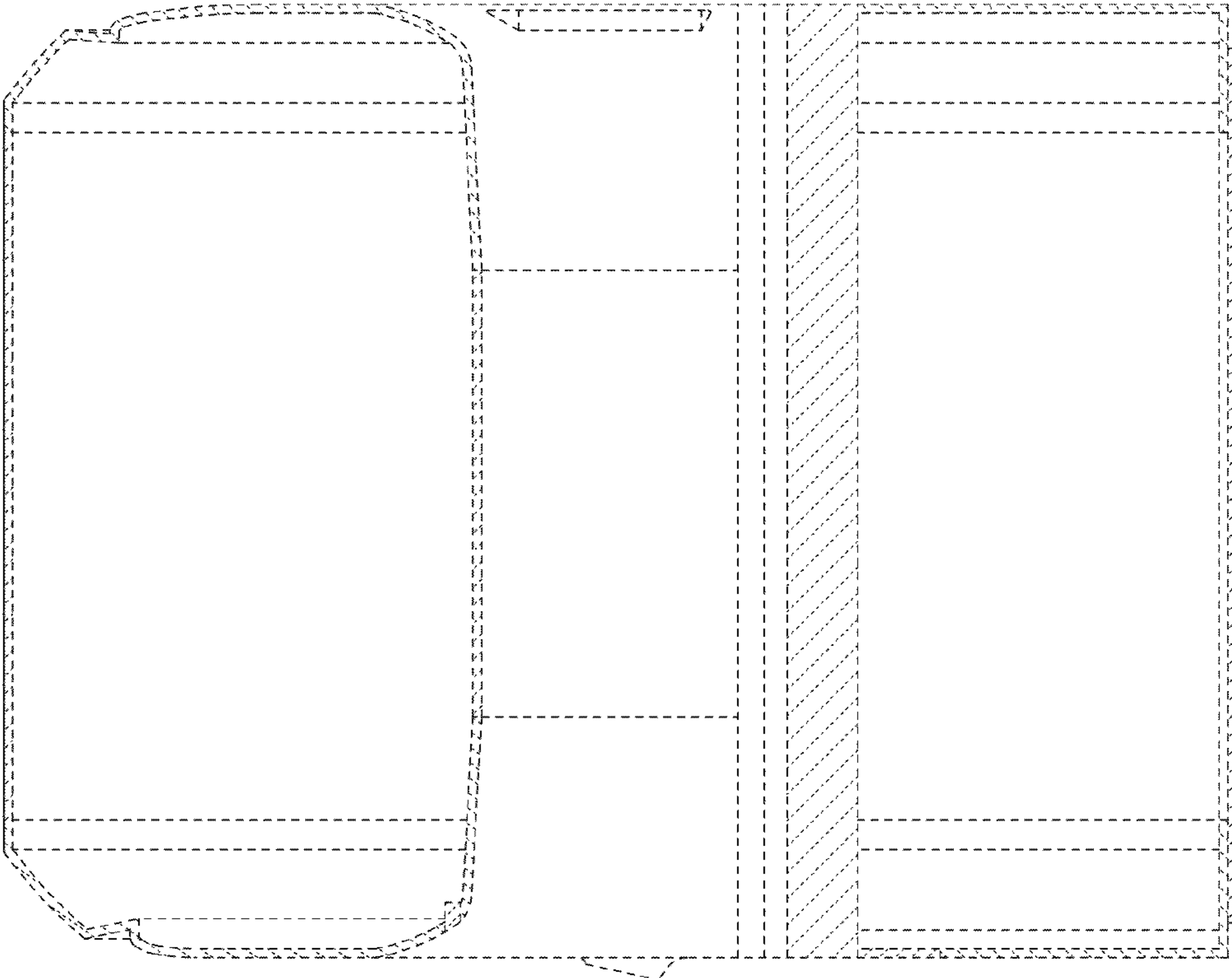


FIG. 9

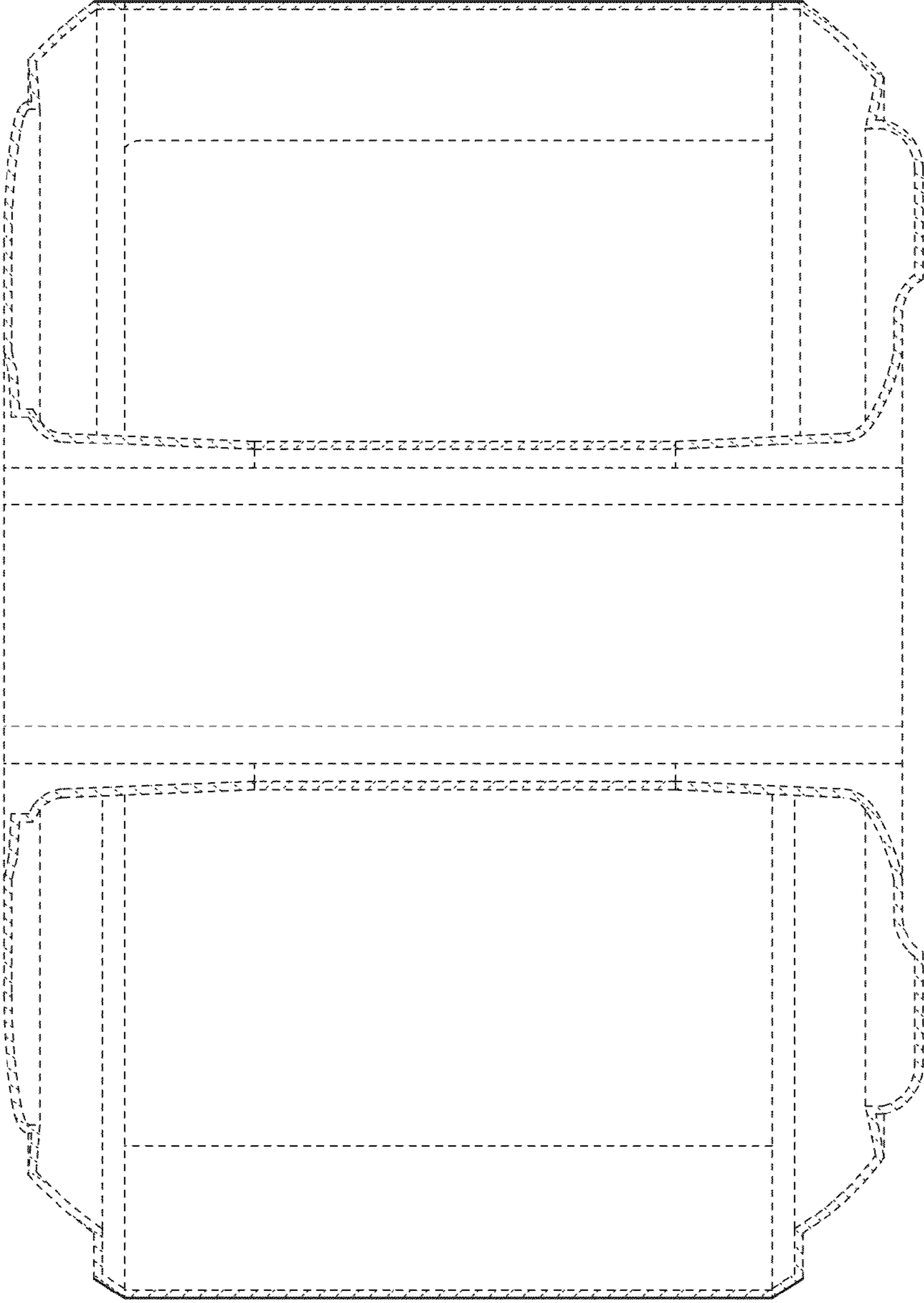


FIG. 10