

US00D701307S

(12) **United States Design Patent**
Protopsaltis et al.

(10) **Patent No.:** **US D701,307 S**
(45) **Date of Patent:** **** Mar. 18, 2014**

- (54) **STAPLE INSERTION DEVICE**
- (71) Applicants: **Dimitri K. Protopsaltis**, Memphis, TN (US); **Amber N. Lenz**, Germantown, TN (US)
- (72) Inventors: **Dimitri K. Protopsaltis**, Memphis, TN (US); **Amber N. Lenz**, Germantown, TN (US)
- (73) Assignee: **BioMedical Enterprises, Inc.**, San Antonio, TX (US)
- (**) Term: **14 Years**
- (21) Appl. No.: **29/442,289**
- (22) Filed: **Jan. 23, 2013**
- (51) **LOC (10) Cl.** **24-02**
- (52) **U.S. Cl.**
USPC **D24/145**
- (58) **Field of Classification Search**
USPC D24/145, 133, 171; D8/390; 227/175.1, 227/175.3, 107, 110, 176.1, 124, 902; 606/60, 75, 86 R, 139, 148, 213, 219
See application file for complete search history.

8,596,514 B2 * 12/2013 Miller et al. 227/175.1
 2010/0237128 A1 9/2010 Miller et al.
 2012/0083791 A1 * 4/2012 Cheney et al. 606/99

OTHER PUBLICATIONS

BME Speed Zero-Torque™ Insertion Tool. Posted on Sep. 13, 2013. [Retrieved on Dec. 11, 2013]. Retrieved from the Internet: <URL: <http://footandanklefixation.com/bme/bme-speed-zero-torque-insertion-tool/>.*

* cited by examiner

Primary Examiner — Wan Laymon
 (74) *Attorney, Agent, or Firm* — Christopher L. Makay

(57) **CLAIM**

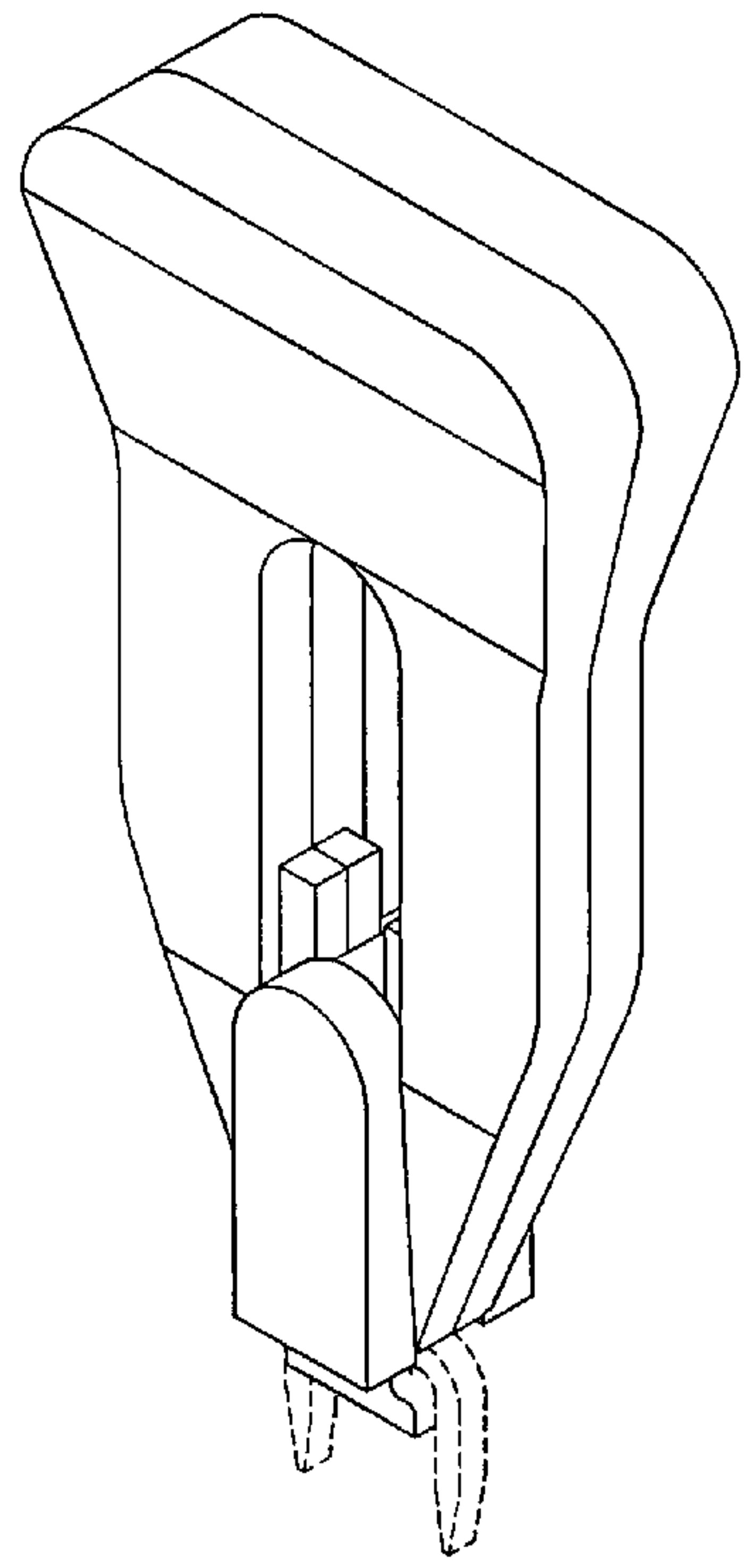
The ornamental design for a staple insertion device, as shown and described.

DESCRIPTION

FIG. 1 is a reduced scale front view of the staple insertion device according to our new design;
 FIG. 2 is a reduced scale rear view thereof;
 FIG. 3 is a reduced scale right side view thereof;
 FIG. 4 is a reduced scale left side view thereof;
 FIG. 5 is a reduced scale top view thereof;
 FIG. 6 is a reduced scale bottom view thereof;
 FIG. 7 is a perspective view thereof; and,
 FIG. 8 is a perspective view thereof illustrating use with a staple.
 The broken lines in FIG. 8 represent a medical staple within the staple insertion device that forms no part of the claimed design.

- (56) **References Cited**
 U.S. PATENT DOCUMENTS
 7,111,768 B2 * 9/2006 Cummins et al. 227/175.1
 8,137,351 B2 3/2012 Prandi
 D675,734 S * 2/2013 Cheney et al. D24/145
 D676,962 S * 2/2013 Cheney et al. D24/145

1 Claim, 2 Drawing Sheets



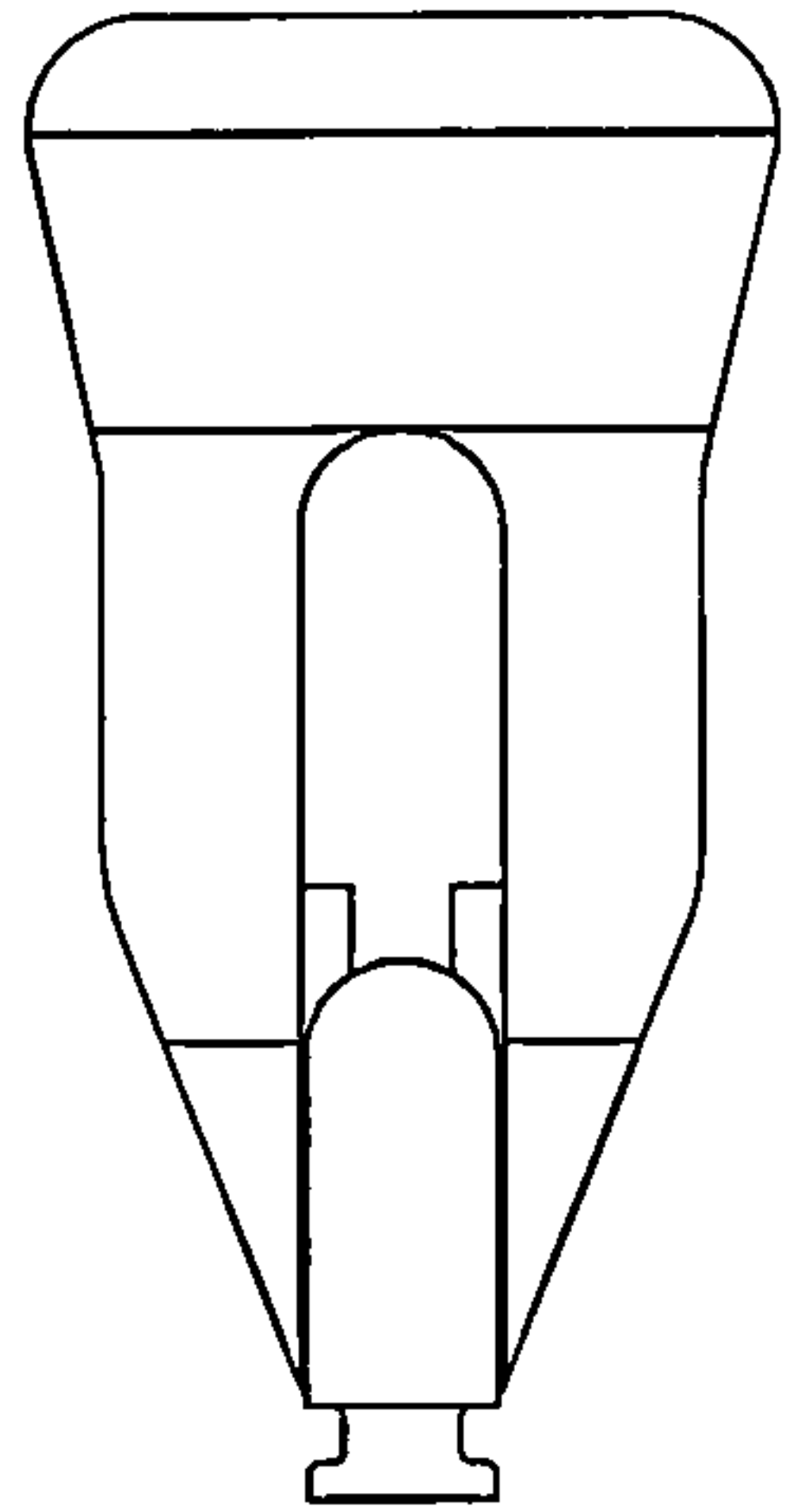


FIG. 1

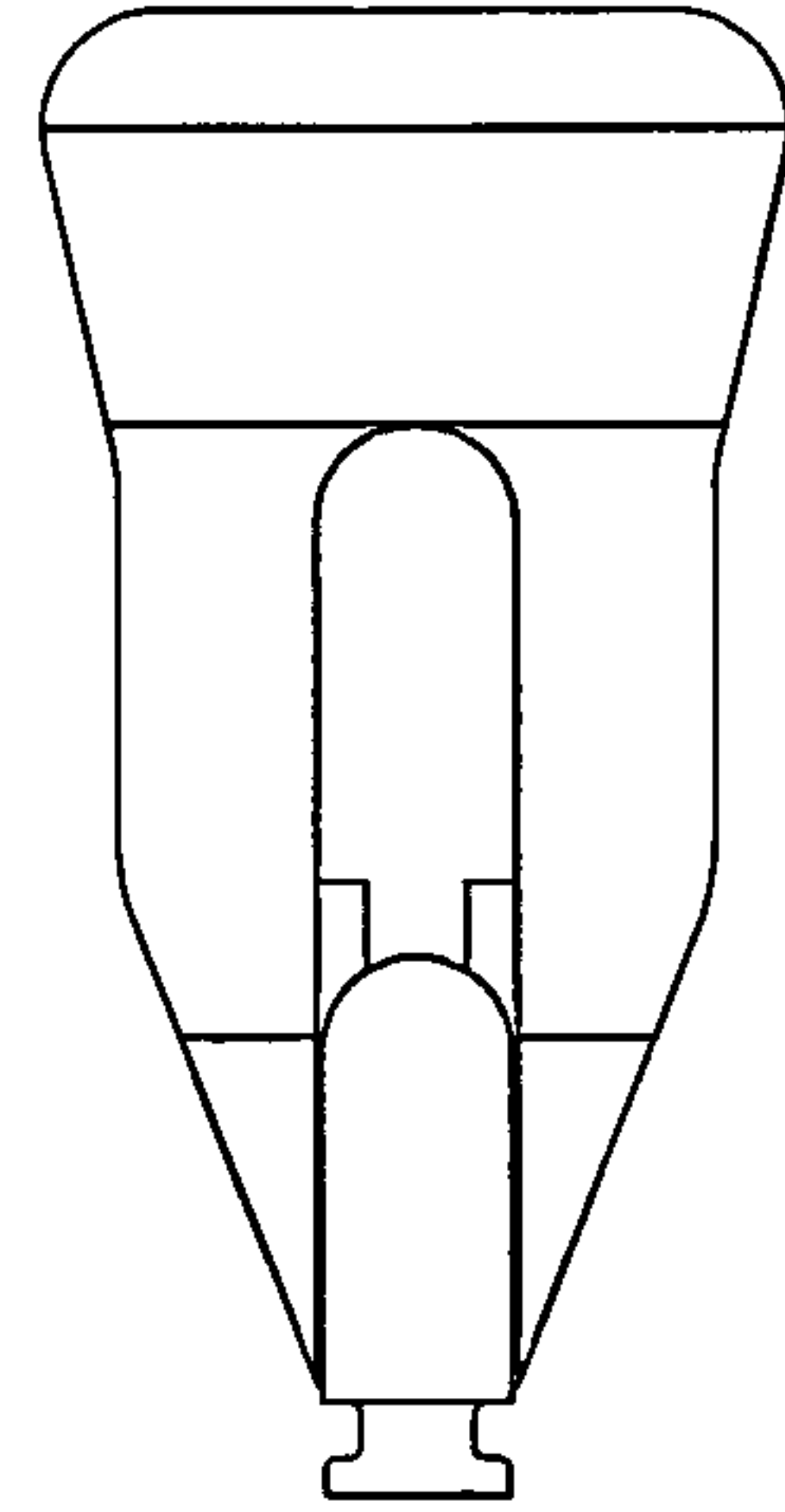


FIG. 2

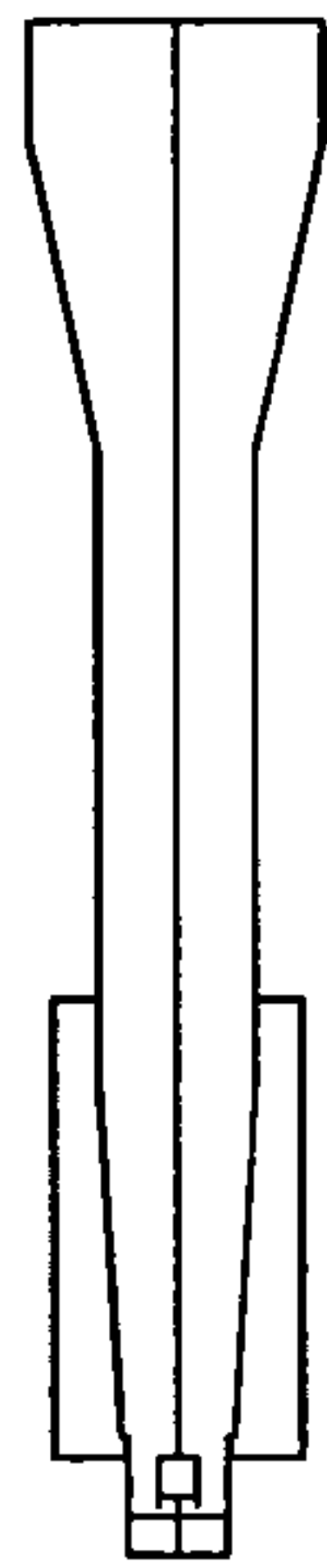


FIG. 3

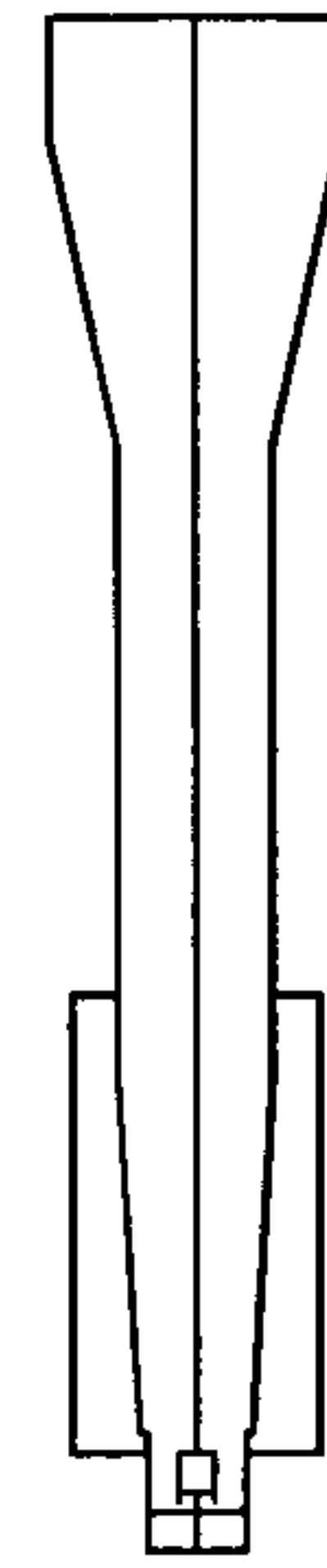


FIG. 4

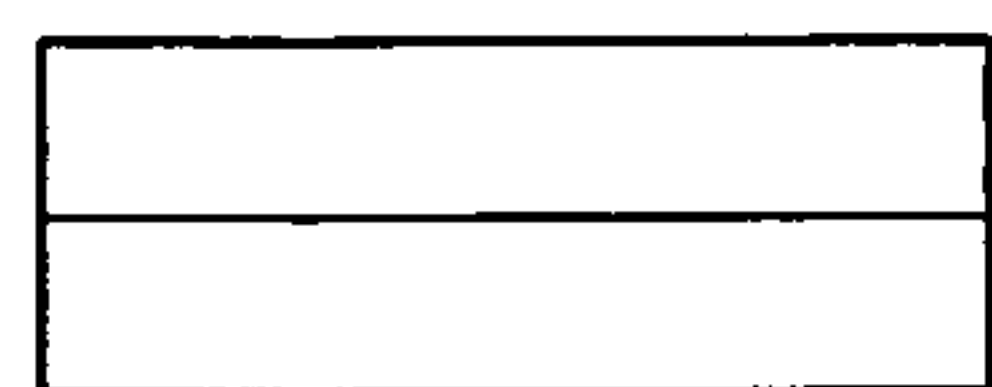


FIG. 5

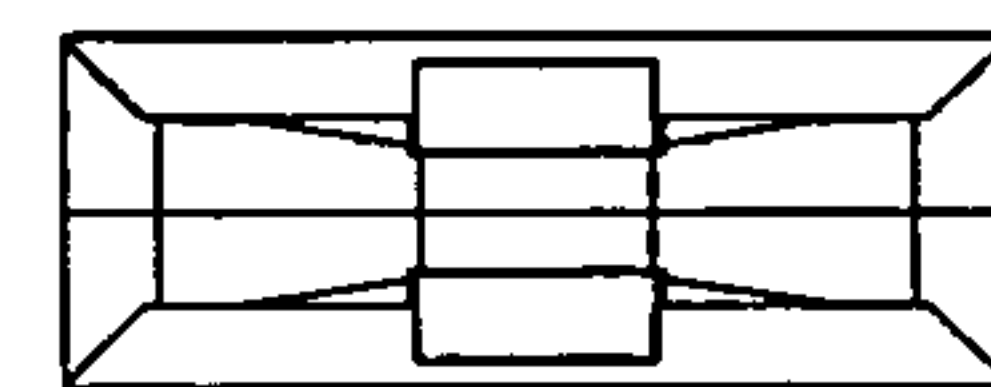


FIG. 6

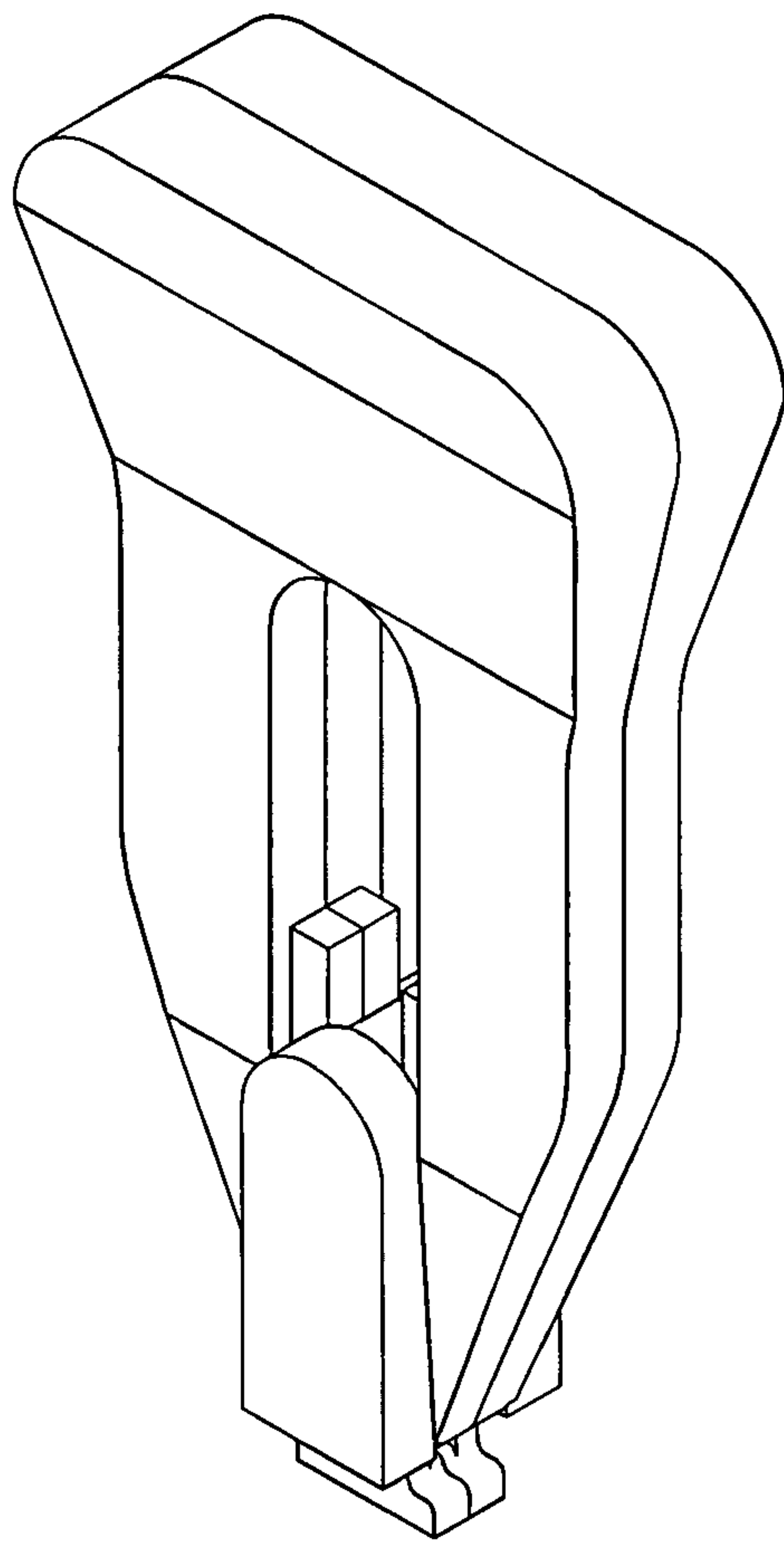


FIG. 7

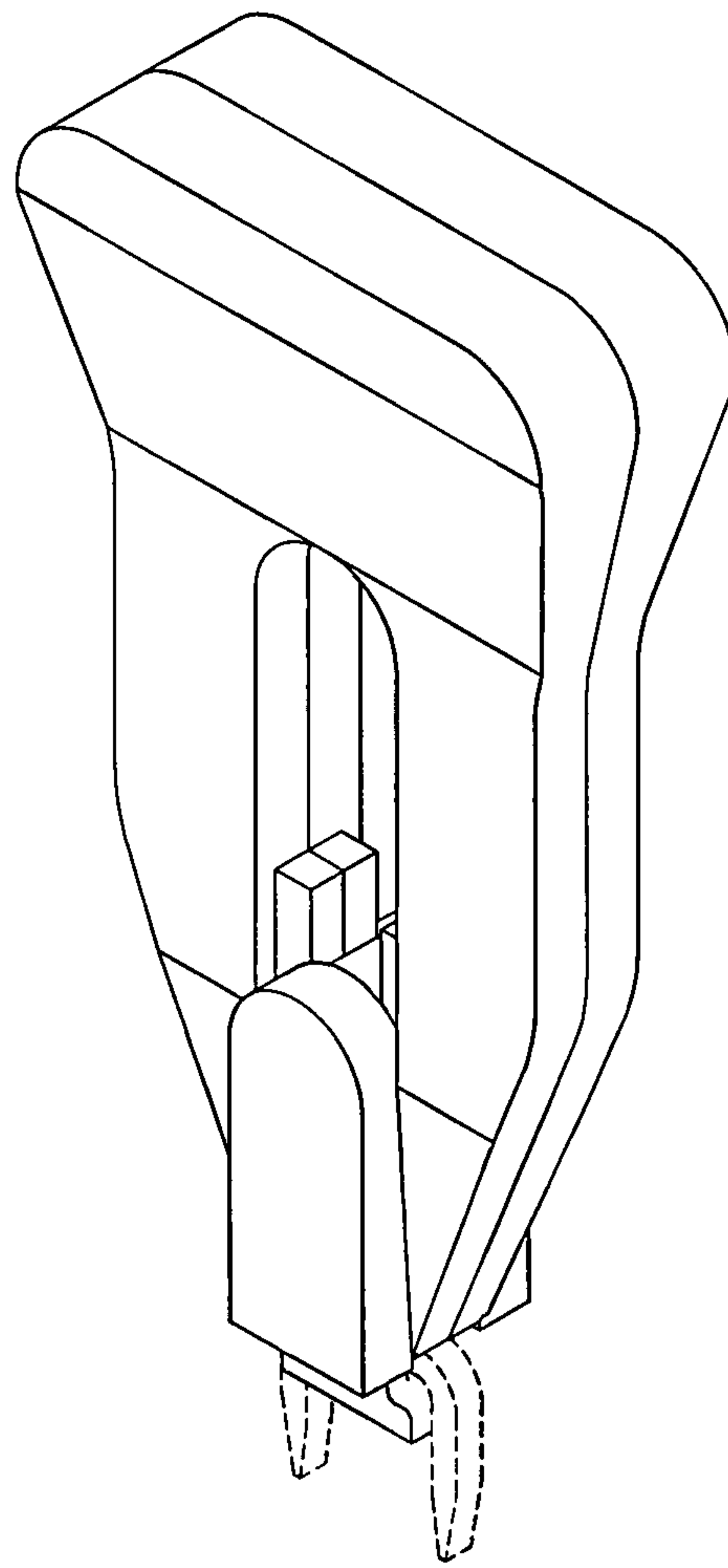


FIG. 8