



US00D701306S

(12) **United States Design Patent**
Nalagatla et al.

(10) **Patent No.:** **US D701,306 S**
(45) **Date of Patent:** **** Mar. 18, 2014**

- (54) **SURGICAL STAPLER HANDLE**
- (75) Inventors: **Anil K. Nalagatla**, Mason, OH (US);
John V. Hunt, Cincinnati, OH (US);
Barry T. Jamison, Fairfield, OH (US);
David A. Deupree, Mason, OH (US)
- (73) Assignee: **Ethicon Endo-Surgery, Inc.**, Cincinnati, OH (US)
- (**) Term: **14 Years**
- (21) Appl. No.: **29/427,601**
- (22) Filed: **Jul. 20, 2012**
- (51) **LOC (10) Cl.** **24-02**
- (52) **U.S. Cl.**
USPC **D24/145**
- (58) **Field of Classification Search**
USPC D24/143, 145-147, 133; 227/175.1,
227/175.2, 176.1, 180.1, 19; 606/139, 144,
606/213, 219, 221
See application file for complete search history.

D532,108	S *	11/2006	Milliman	D24/145
7,802,712	B2 *	9/2010	Milliman et al.	227/176.1
7,900,806	B2 *	3/2011	Chen et al.	227/175.1
8,231,042	B2 *	7/2012	Hessler et al.	227/175.1
8,276,802	B2 *	10/2012	Kostrzewski	227/180.1
8,343,185	B2 *	1/2013	Milliman et al.	227/176.1
D685,472	S *	7/2013	Hunt et al.	D24/145
8,529,599	B2 *	9/2013	Holsten	606/219
2010/0237132	A1	9/2010	Measamer et al.		
2010/0327041	A1 *	12/2010	Milliman et al.	227/175.1
2012/0292366	A1 *	11/2012	Nalagatla et al.	227/175.1
2012/0325892	A1 *	12/2012	Kostrzewski	227/176.1
2013/0153630	A1 *	6/2013	Miller et al.	227/175.2
2013/0181035	A1 *	7/2013	Milliman	227/180.1
2013/0181036	A1 *	7/2013	Olson et al.	227/180.1
2013/0193185	A1 *	8/2013	Patel	227/175.1
2013/0206816	A1 *	8/2013	Penna	227/175.1
2013/0214027	A1 *	8/2013	Hessler et al.	227/175.1

* cited by examiner

Primary Examiner — Wan Laymon

(57) **CLAIM**
The ornamental design for a surgical stapler handle, as shown.

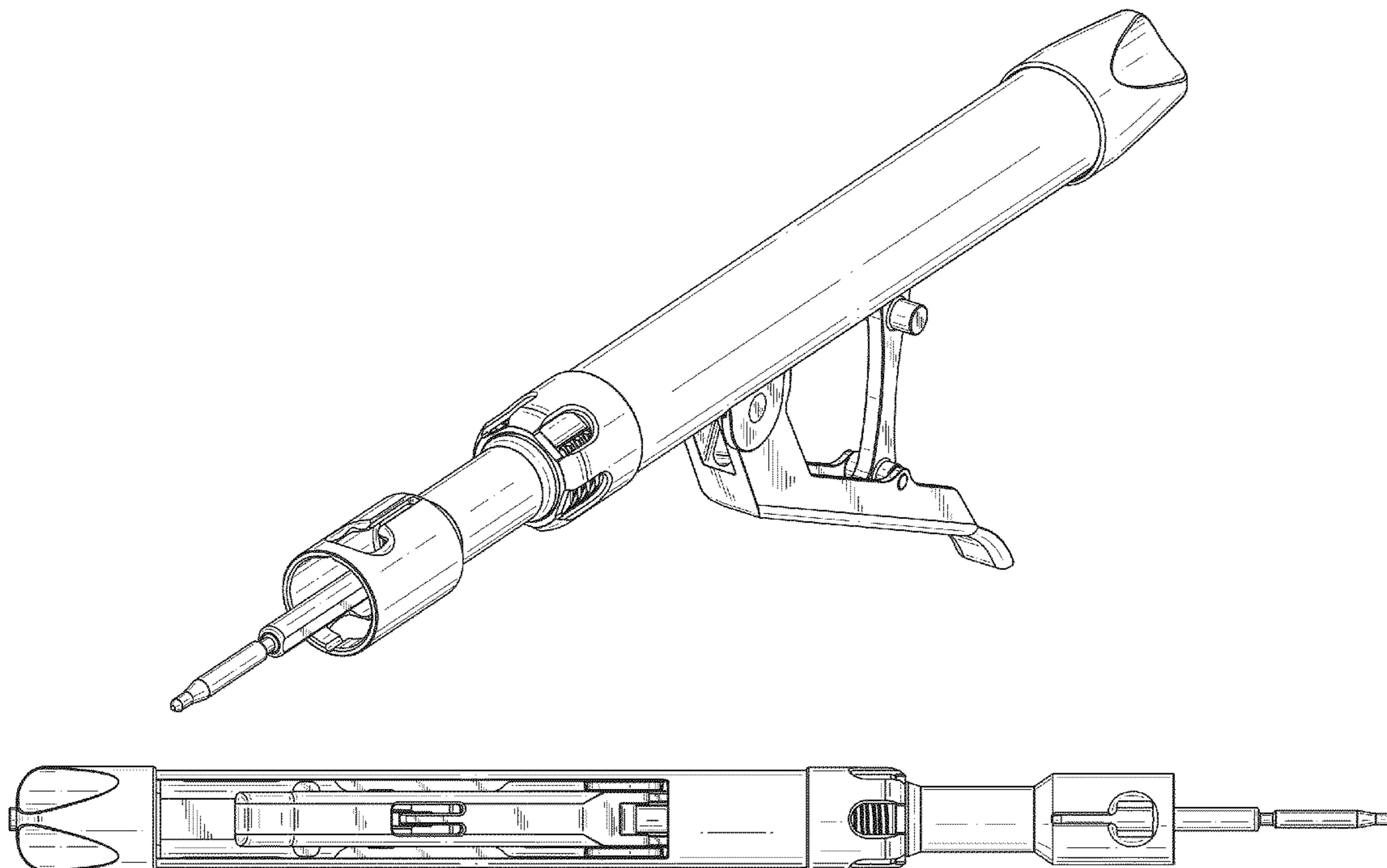
DESCRIPTION

FIG. 1 is a Perspective View of the surgical stapler handle.
FIG. 2 is a Top View thereof.
FIG. 3 is a Left Side View thereof.
FIG. 4 is a Right Side View thereof.
FIG. 5 is a Bottom View thereof.
FIG. 6 is a Front View thereof; and,
FIG. 7 is a Rear View thereof.

1 Claim, 4 Drawing Sheets

(56) **References Cited**
U.S. PATENT DOCUMENTS

4,207,898	A	6/1980	Becht
4,351,466	A	9/1982	Noiles
5,292,053	A	3/1994	Bilotti et al.
5,344,059	A	9/1994	Green et al.
5,860,581	A	1/1999	Robertson et al.
6,083,241	A	7/2000	Longo et al.
6,102,271	A	8/2000	Longo et al.
6,193,129	B1	2/2001	Bittner et al.



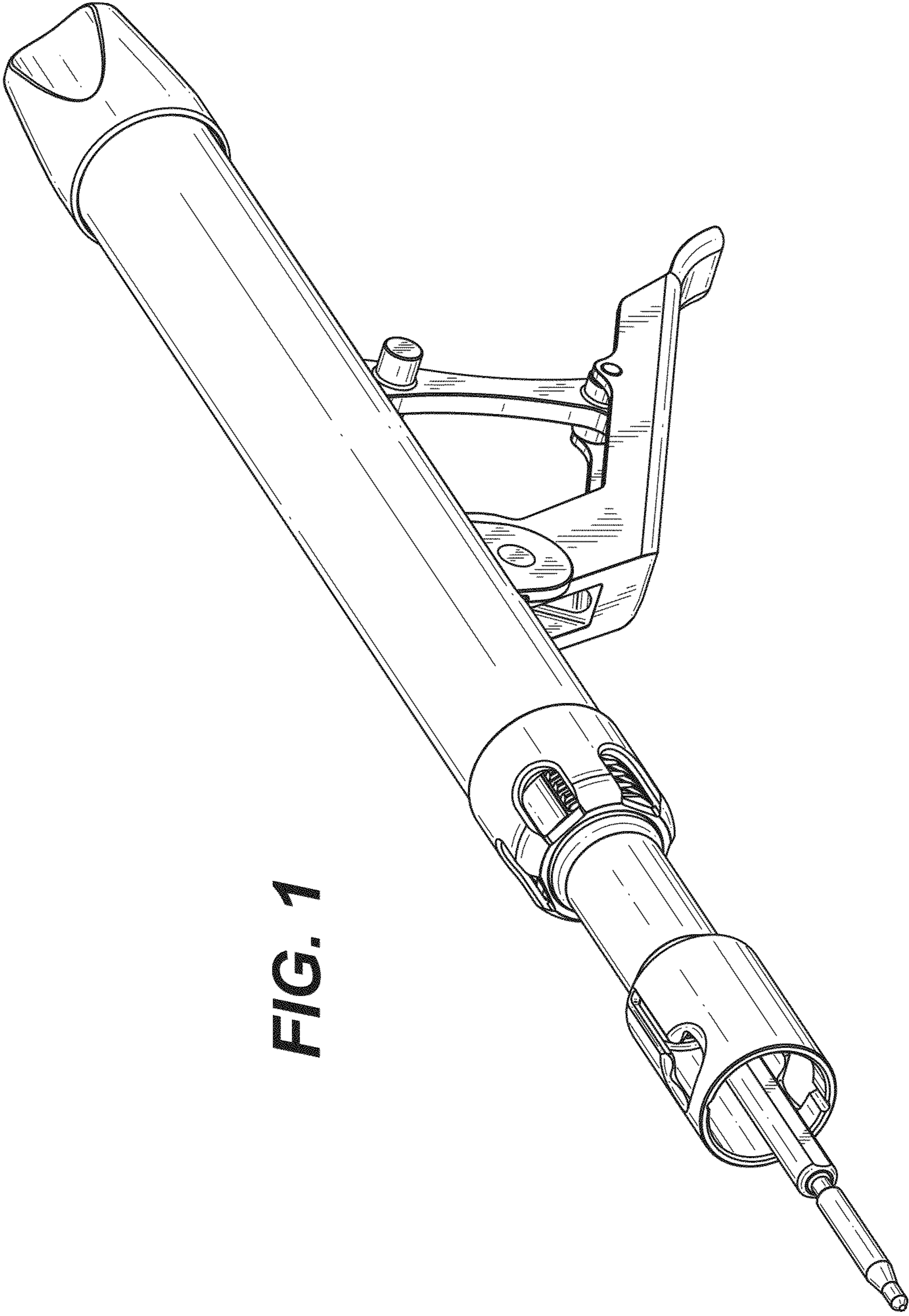


FIG. 1

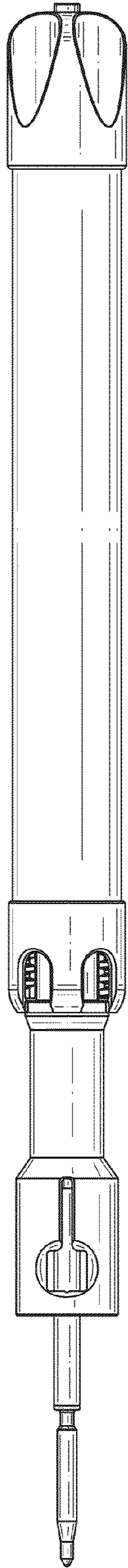


FIG. 2

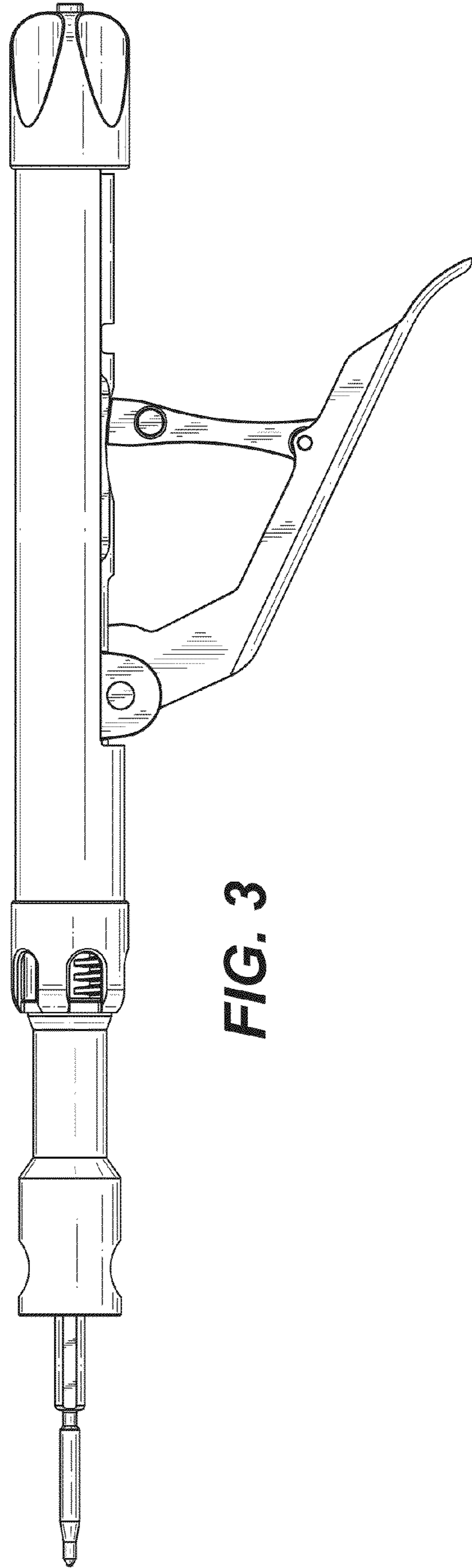


FIG. 3

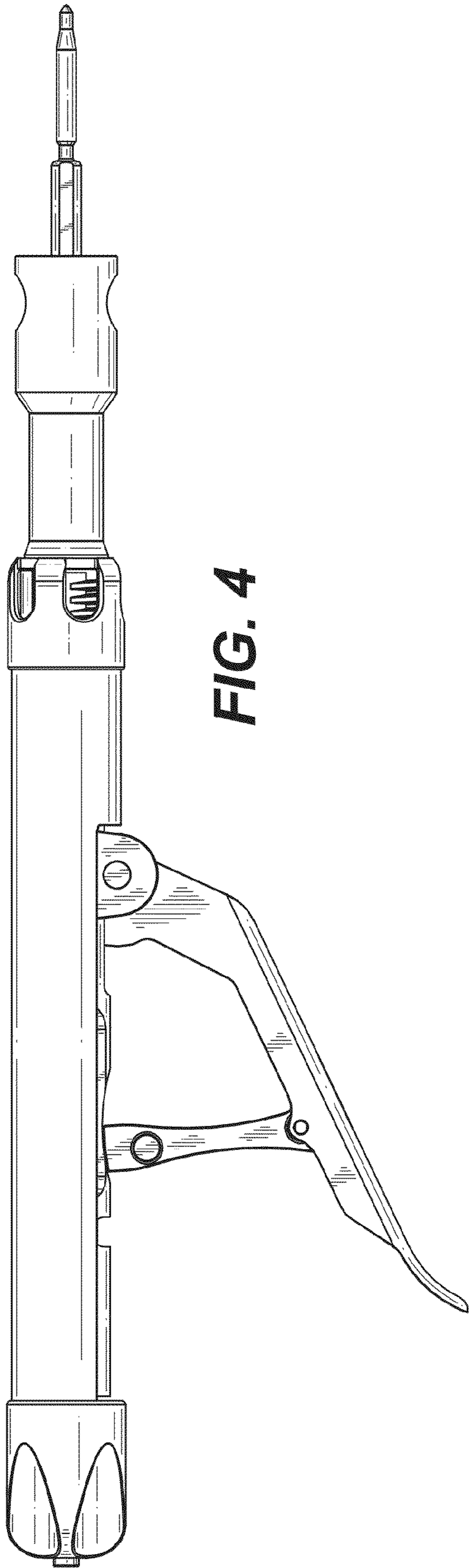


FIG. 4

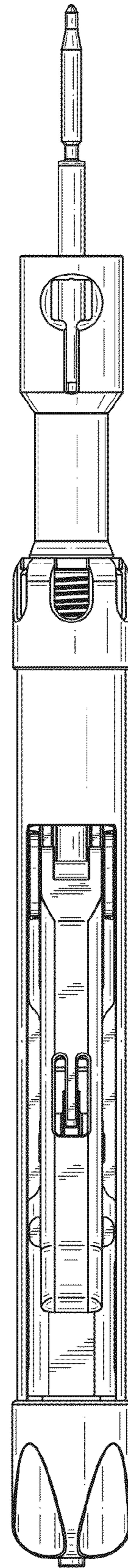


FIG. 5

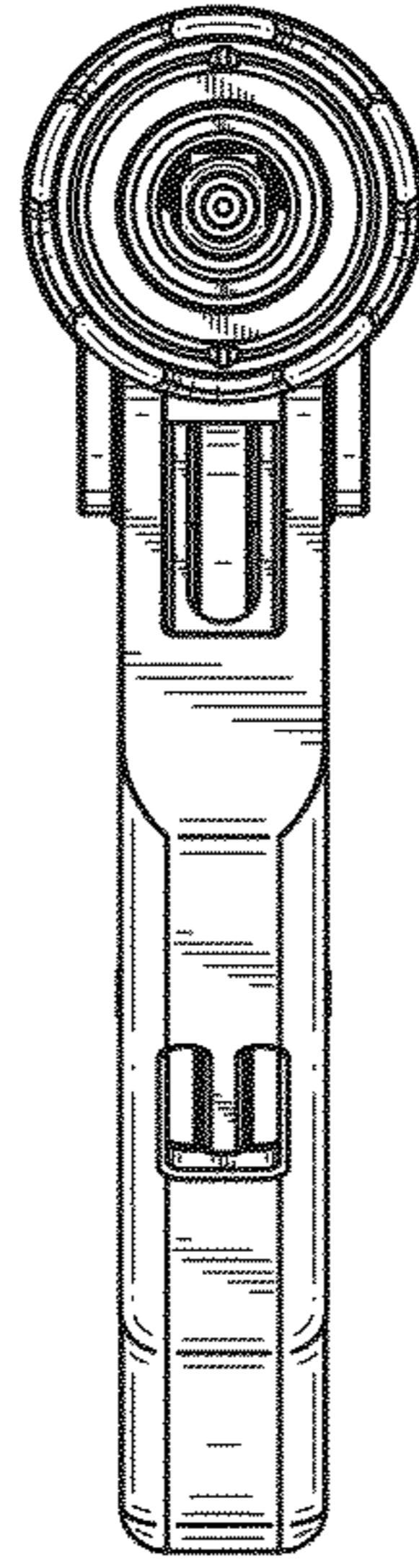


FIG. 6

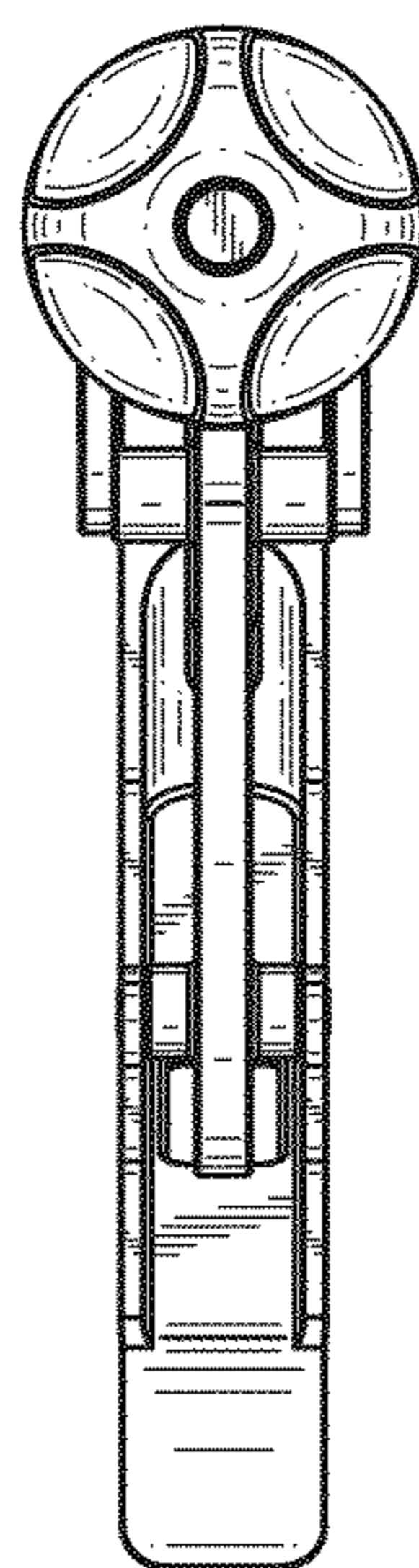


FIG. 7