



US00D701305S

(12) **United States Design Patent**
Greco

(10) **Patent No.:** **US D701,305 S**
(45) **Date of Patent:** **** Mar. 18, 2014**

(54) **MEDICAL INSTRUMENT**

(75) Inventor: **Ernesto Greco**, Rome (IT)

(73) Assignee: **Karl Storz GmbH & Co. KG**,
Tuttlingen (DE)

(**) Term: **14 Years**

(21) Appl. No.: **29/426,102**

(22) Filed: **Jun. 29, 2012**

(30) **Foreign Application Priority Data**

Dec. 29, 2011 (EM) 001969718-0007
Dec. 29, 2011 (EM) 001969718-0008
Dec. 29, 2011 (EM) 001969718-0009

(51) **LOC (10) Cl.** **24-02**

(52) **U.S. Cl.**
USPC **D24/133**

(58) **Field of Classification Search**
USPC D24/133, 143, 145, 152; 600/564;
606/205-209; 433/159
See application file for complete search history.

(56) **References Cited**

U.S. PATENT DOCUMENTS

2,556,783 A * 6/1951 Wallace 606/127
D351,022 S * 9/1994 Saito D24/146
D351,658 S * 10/1994 Beckman D24/211
D363,122 S * 10/1995 Uetake D24/143

D365,878 S * 1/1996 Blake D24/148
D372,311 S * 7/1996 Koros et al. D24/147
D581,053 S * 11/2008 Gesler, III D24/143
D585,989 S * 2/2009 Leroy D24/146
D639,944 S * 6/2011 Schneider D24/143
D648,434 S * 11/2011 Uyama D24/143
D649,247 S * 11/2011 Uyama D24/143
D652,924 S * 1/2012 Noshiro D24/143
D660,428 S * 5/2012 Hohl D24/141

* cited by examiner

Primary Examiner — Bridget L Eland

(74) *Attorney, Agent, or Firm* — Muncy, Geissler, Olds & Lowe, P.C.

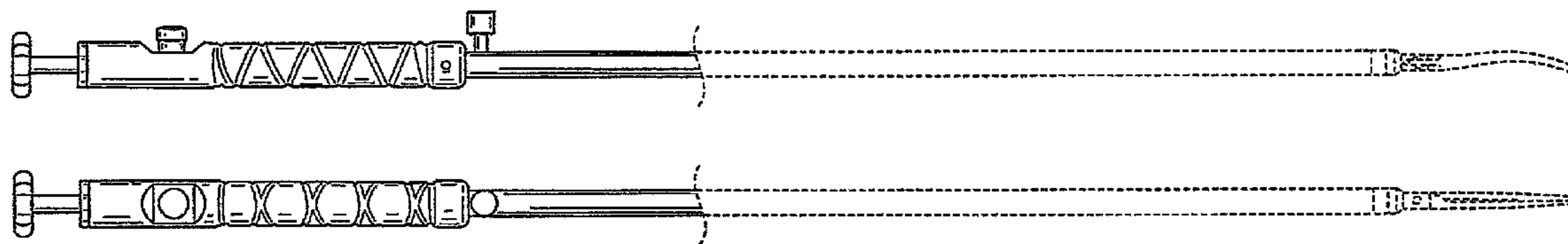
(57) **CLAIM**

The ornamental design for a medical instrument, as shown and described.

DESCRIPTION

FIG. 1 is a left side elevational view of a medical instrument of the present invention;
FIG. 2 is a right side elevational view of the medical instrument of FIG. 1;
FIG. 3 is a top plan view of the medical instrument of FIG. 1;
FIG. 4 is a bottom plan view of the medical instrument of FIG. 1; and,
FIG. 5 is a perspective view of the medical instrument of FIG. 1.
The dashed lines illustrate environment that does not form a part of the present invention, and no claim is made to the material illustrated with dashed lines.

1 Claim, 5 Drawing Sheets



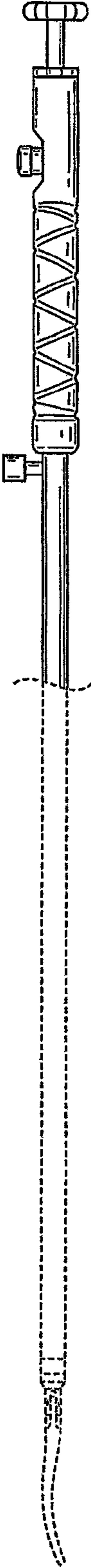


FIG.1

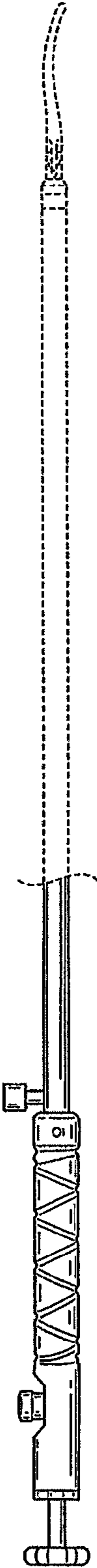


FIG.2

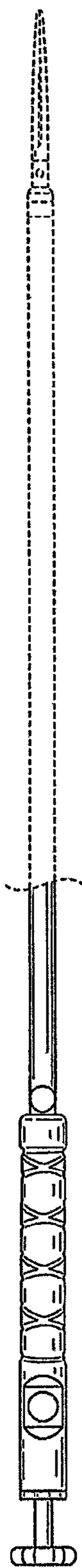


FIG.3

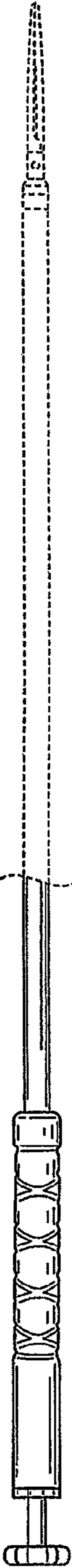


FIG.4

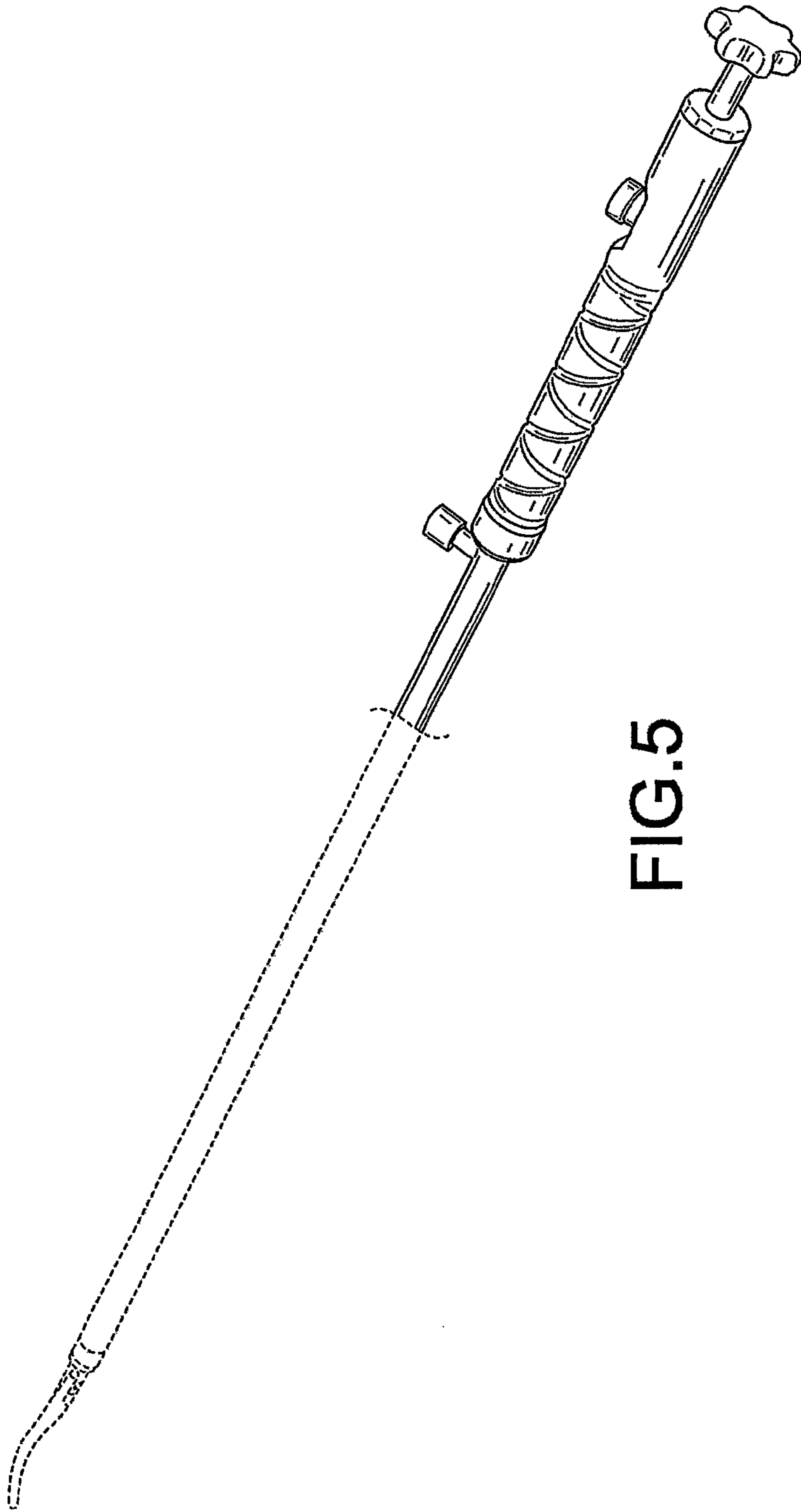


FIG.5