



US00D701304S

(12) **United States Design Patent**
Lair et al.

(10) **Patent No.:** **US D701,304 S**
(45) **Date of Patent:** **** Mar. 18, 2014**

(54) **EXTENSION SET ADAPTER**
(75) Inventors: **Anthony C. Lair**, Alpharetta, GA (US);
Aaron N. Ingram, Canton, GA (US)
(73) Assignee: **Neomed, Inc.**, Woodstock, GA (US)

D342,135 S * 12/1993 Goldberger et al. D24/129
5,549,550 A 8/1996 Mazer et al.
D373,410 S * 9/1996 Diaz D23/266
D387,147 S * 12/1997 Vandermast et al. D23/262
5,694,991 A * 12/1997 Harris et al. 141/346
D388,876 S * 1/1998 Sampson D24/129
5,746,715 A 5/1998 Mazer et al.
5,755,689 A 5/1998 Mazer et al.

(**) Term: **14 Years**

(Continued)

(21) Appl. No.: **29/401,625**

OTHER PUBLICATIONS

(22) Filed: **Sep. 13, 2011**

Codan—Light Safe Extension Sets; 2 pgs.; at least as early as Aug. 5, 2009.

(51) **LOC (10) Cl.** **24-02**

(Continued)

(52) **U.S. Cl.**

USPC **D24/129**

(58) **Field of Classification Search**

USPC D24/129, 112–114, 133, 130, 127, 111;
606/181, 185; 604/236, 238,
604/164.01–164.09, 533, 232, 187, 168.01,
604/192, 19, 48, 93.01, 264, 523, 524, 526;
600/101, 139, 143; 128/200.24,
128/207.14, 207.15; D23/266, 260, 262,
D23/259; D9/435, 439, 440

Primary Examiner — David Muller

(74) *Attorney, Agent, or Firm* — Gardner Groff Greenwald & Villanueva, PC

See application file for complete search history.

(57) **CLAIM**

The ornamental design for an extension set adapter, substantially as shown and described.

DESCRIPTION

(56) **References Cited**

U.S. PATENT DOCUMENTS

3,601,151 A * 8/1971 Winnard 604/236
D225,161 S * 11/1972 Ritchie D9/439
3,731,684 A 5/1973 Spiegel
D256,721 S * 9/1980 Boller et al. D9/439
D282,962 S 3/1986 Gerber
D301,118 S * 5/1989 Baxter D9/439
D307,795 S 5/1990 Frantz
4,994,048 A 2/1991 Metzger
D317,203 S * 5/1991 Walsh D24/112
D318,102 S * 7/1991 Papai D23/266
5,137,527 A 8/1992 Miller et al.

FIG. 1 is a first perspective view of an enteral fluid delivery adapter according to the design.

FIG. 2 is a second perspective view of the adapter of FIG. 1.

FIG. 3 is a side view of the adapter of FIG. 1.

FIG. 4 is a first end view of the adapter of FIG. 1.

FIG. 5 is a second end view of the adapter of FIG. 1.

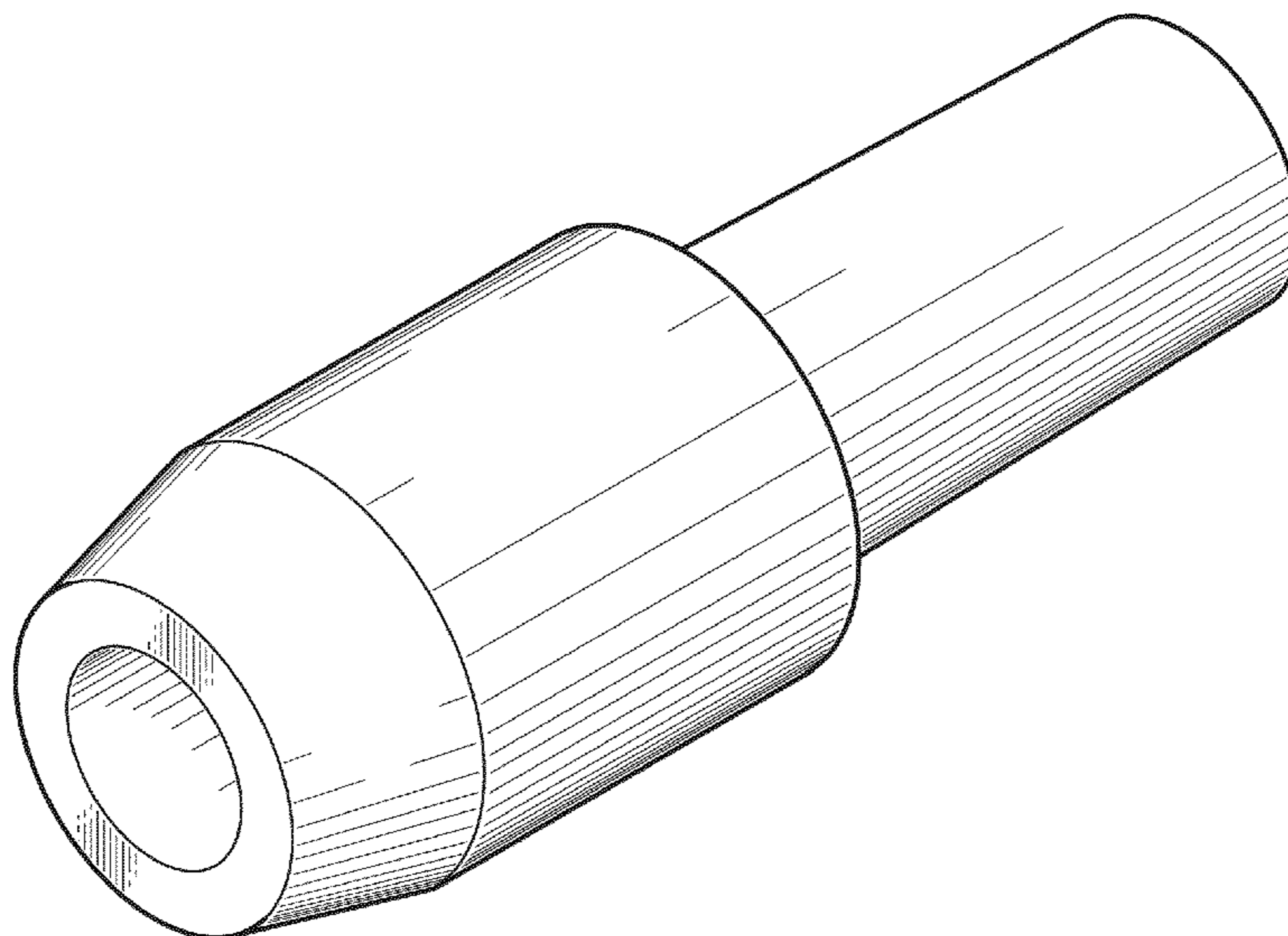
FIG. 6 is a perspective view of an extension set comprising the adapter of FIG. 1, according to another aspect of the design.

FIG. 7 is a side view of the extension set of FIG. 6; and,

FIG. 8 is an end view of the extension set of FIG. 6.

Portions shown in broken lines are for illustrative purposes only and form no part of the claimed design.

1 Claim, 3 Drawing Sheets



(56)

References Cited

U.S. PATENT DOCUMENTS

6,029,946 A 2/2000 Doyle
 6,036,669 A 3/2000 Cole et al.
 6,095,986 A * 8/2000 Braig et al. D24/129
 D440,304 S * 4/2001 Morales D24/112
 6,277,092 B1 8/2001 Cole et al.
 6,290,206 B1 9/2001 Doyle
 6,541,802 B2 4/2003 Doyle
 D474,689 S * 5/2003 Dinsky D9/440
 D488,866 S * 4/2004 O'Dell D24/129
 D503,799 S * 4/2005 Beck D24/129
 6,962,563 B2 11/2005 Yasunaga
 D567,653 S * 4/2008 Binderbauer et al. D9/435
 7,560,686 B2 7/2009 Bisch et al.
 7,581,559 B2 * 9/2009 Bausmith, III 604/236

D614,270 S * 4/2010 Green et al. D23/266
 7,846,131 B2 12/2010 Hudson et al.
 7,921,847 B2 4/2011 Totz
 2007/0060898 A1 3/2007 Shaughnessy et al.
 2008/0183153 A1 7/2008 Enns
 2009/0264824 A1 10/2009 Bisch et al.

OTHER PUBLICATIONS

NeoChild—Extension Sets; 2 pgs.; at least as early as Aug. 5, 2009.
 NeoDevices Inc.—Extension Sets; 1 pg.; at least as early as Aug. 5, 2009.
 Utah Medical Products Inc.—Nutri-Lok Locking Continuous Enteral Feeding Extension Sets; 1 pg.; at least as early as Aug. 5, 2009.
 Vygon—Extension Sets; 5 pgs.; at least as early as Aug. 5, 2009.

* cited by examiner

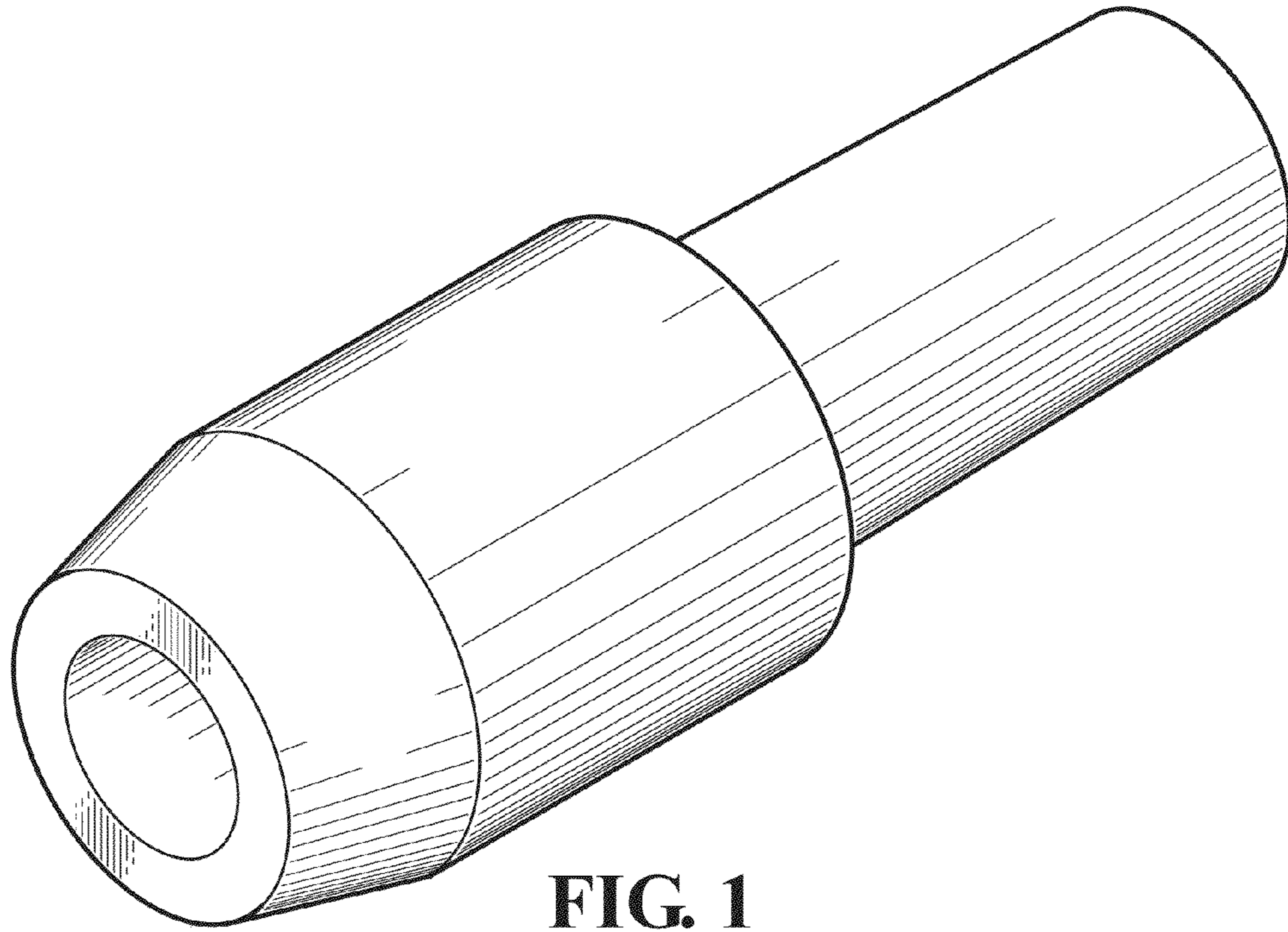


FIG. 1

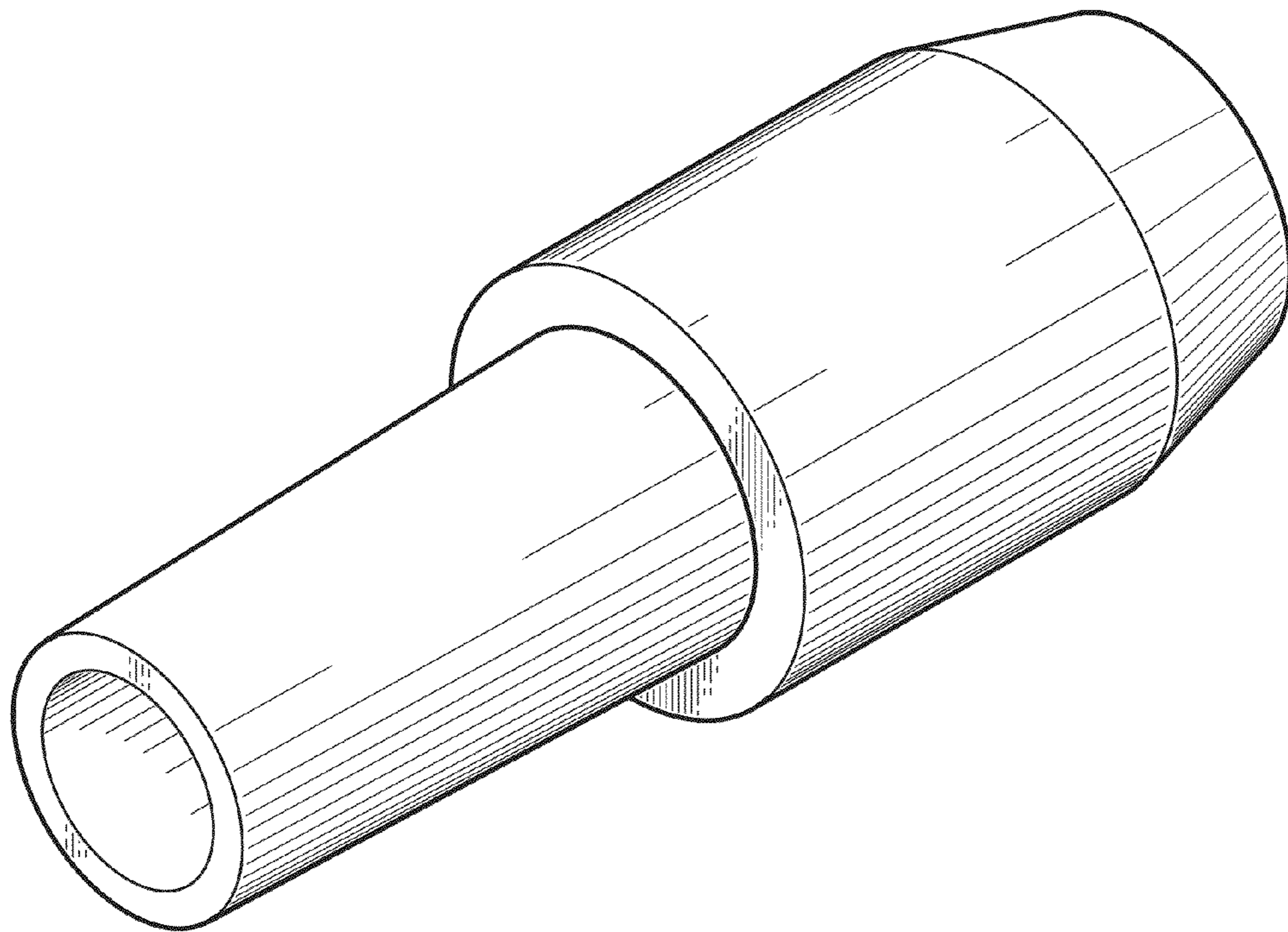


FIG. 2

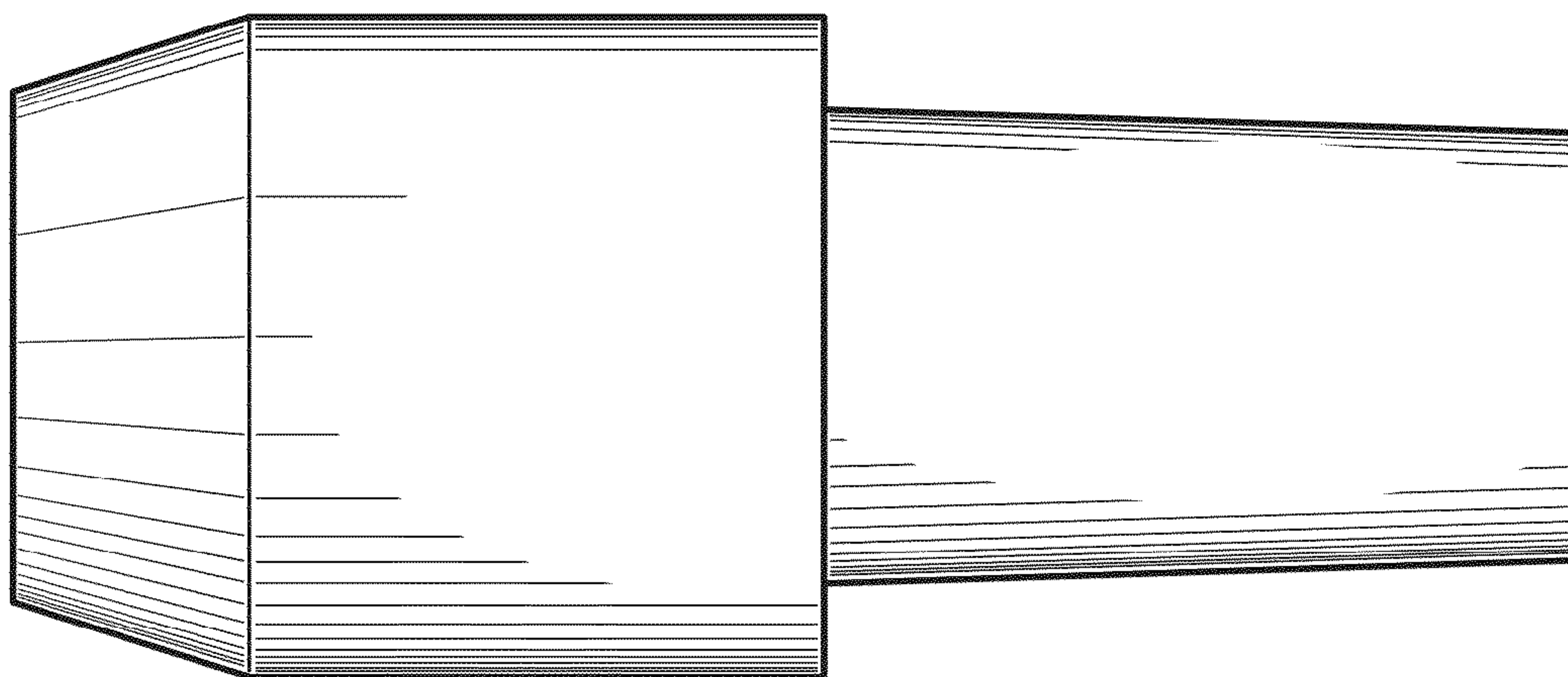


FIG. 3

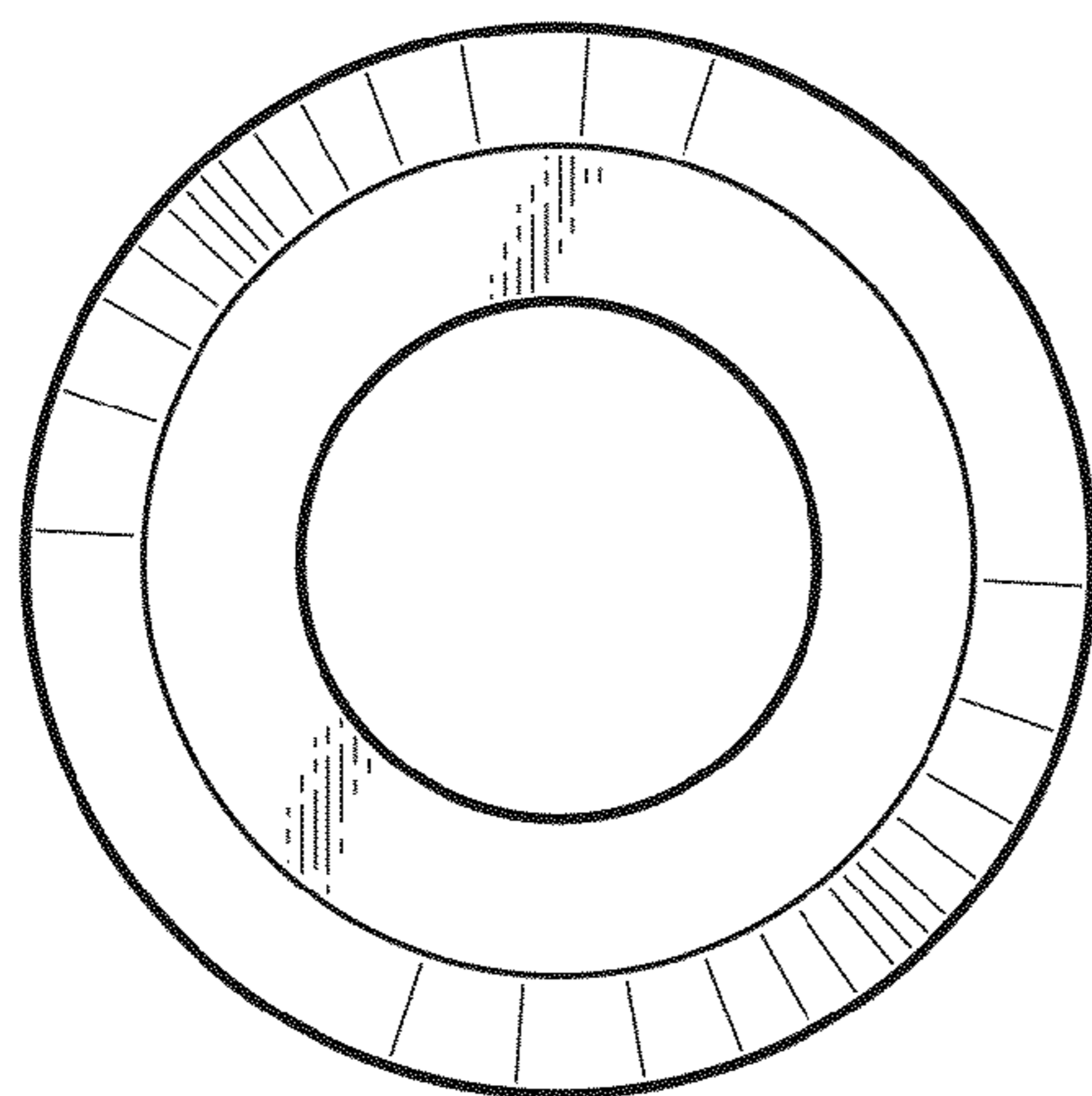


FIG. 4

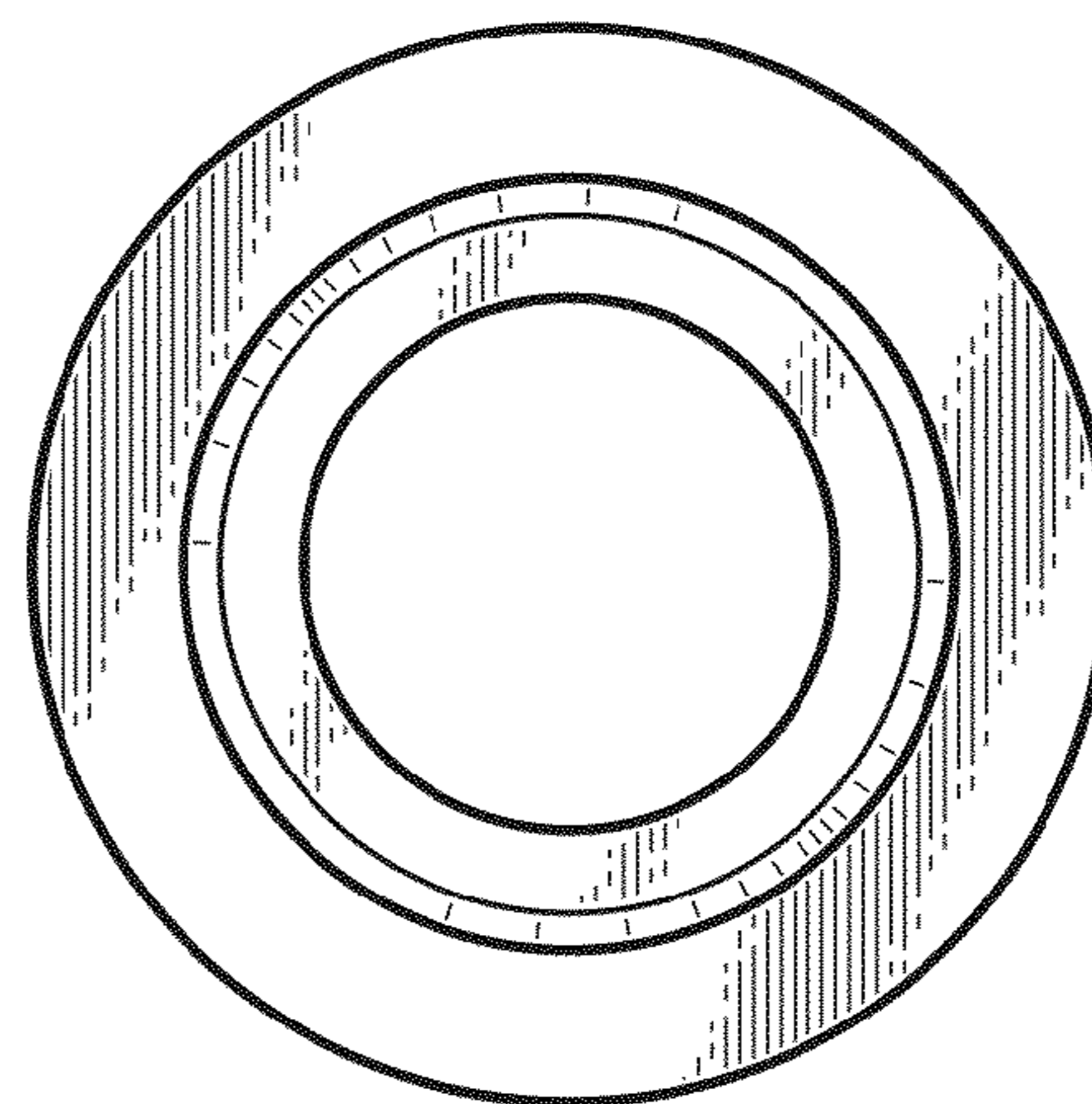


FIG. 5

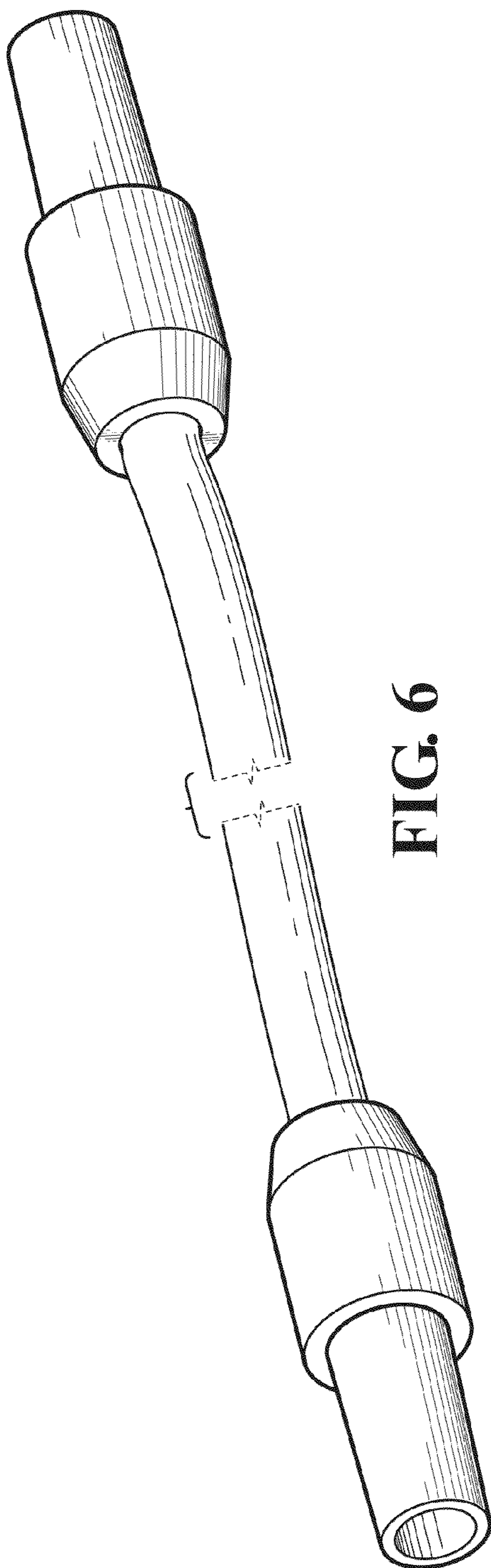


FIG. 6

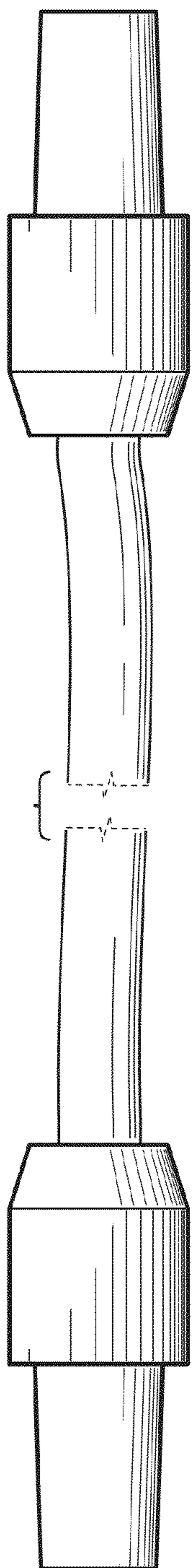


FIG. 7

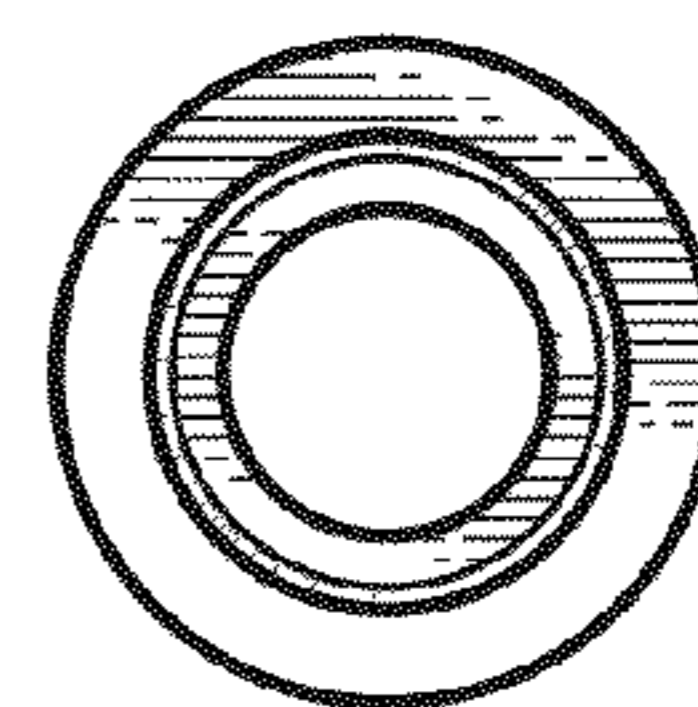


FIG. 8