



US00D701303S

(12) **United States Design Patent**
Cook

(10) **Patent No.:** **US D701,303 S**
(45) **Date of Patent:** **** Mar. 18, 2014**

(54) **CLIP FOR SECURING A MEDICAL GUIDE WIRE**

(75) Inventor: **Chris Cook**, Somerset (GB)
(73) Assignee: **Weston Area Health NHS Trust**
Weston General Hospital (GB)

(**) Term: **14 Years**
(21) Appl. No.: **29/420,269**
(22) Filed: **May 7, 2012**

(30) **Foreign Application Priority Data**
Nov. 9, 2011 (EM) 001302103-0001
(51) **LOC (10) Cl.** **24-02**
(52) **U.S. Cl.**
USPC **D24/128**
(58) **Field of Classification Search**
USPC D24/127-130, 112-114; 604/263, 264,
604/162, 268, 164.08, 174-180;
128/DIG. 26; D8/354, 356, 355, 394
See application file for complete search history.

(56) **References Cited**

U.S. PATENT DOCUMENTS

D346,444 S *	4/1994	Wade	D24/130
D477,867 S *	7/2003	O'Mahony et al.	D24/128
D498,532 S *	11/2004	Sawford	D24/128
D502,772 S *	3/2005	Abry	D24/128
D540,466 S *	4/2007	Homra et al.	D24/128
D550,840 S *	9/2007	Anderson et al.	D24/129
D568,991 S *	5/2008	Schweikert et al.	D24/128
D618,792 S *	6/2010	Bierman	D24/128
D625,582 S *	10/2010	Cleghorn et al.	D8/356
D636,078 S *	4/2011	Leybold et al.	D24/129
D638,121 S *	5/2011	Villasana	D24/128
D658,974 S *	5/2012	Komeno	D8/356
D690,004 S *	9/2013	Pruitt et al.	D24/113

* cited by examiner

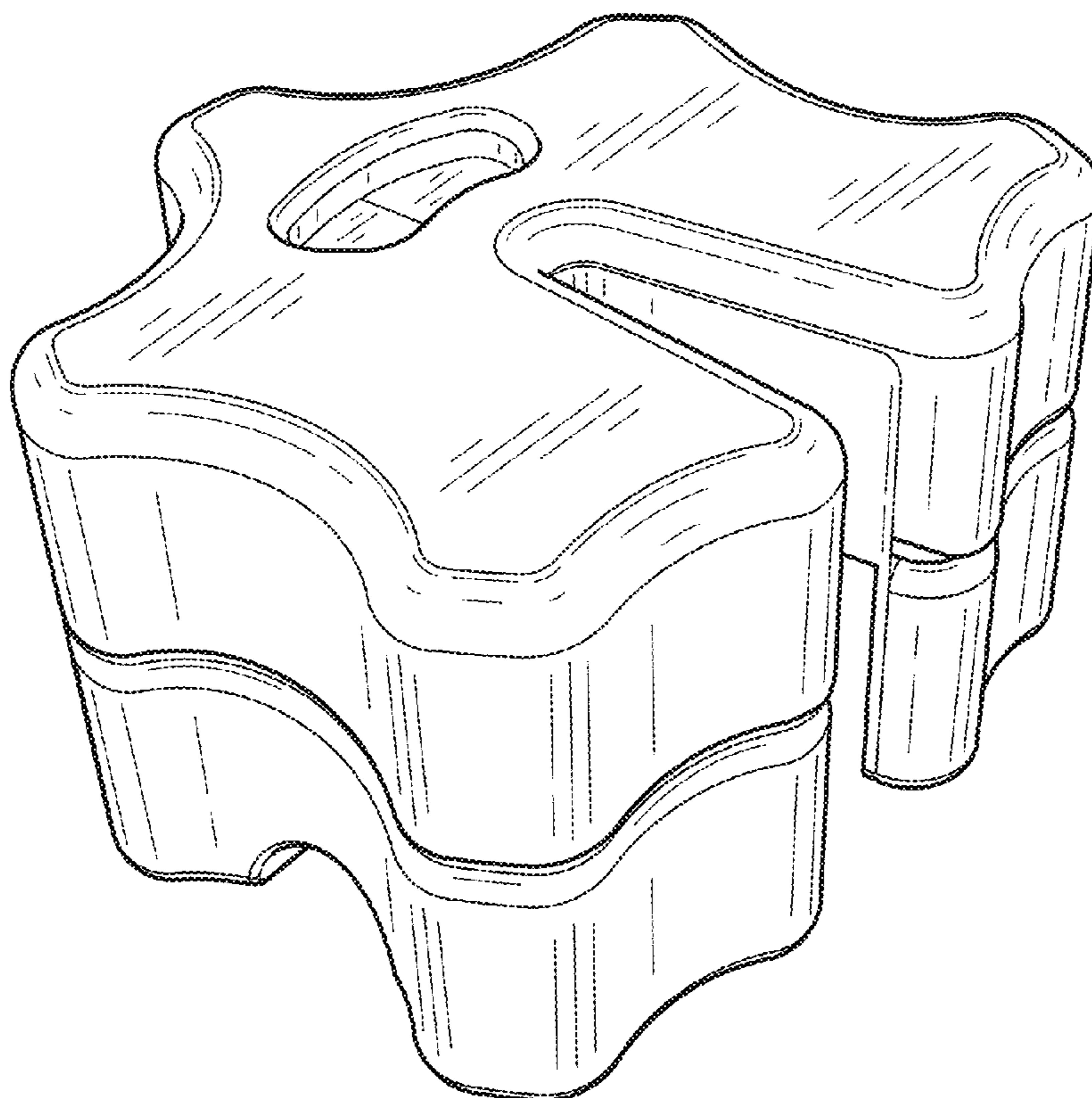
Primary Examiner — David Muller
(74) *Attorney, Agent, or Firm* — Banner & Witcoff, Ltd.

(57) **CLAIM**
The ornamental design for a clip for securing a medical guide wire, as shown and described.

DESCRIPTION

FIG. 1 is a perspective top view of a clip for securing a medical guide wire showing my new design; FIG. 2 is a perspective bottom view thereof; FIG. 3 is a top plan view thereof; and, FIG. 4 is a bottom plan view thereof.

1 Claim, 4 Drawing Sheets



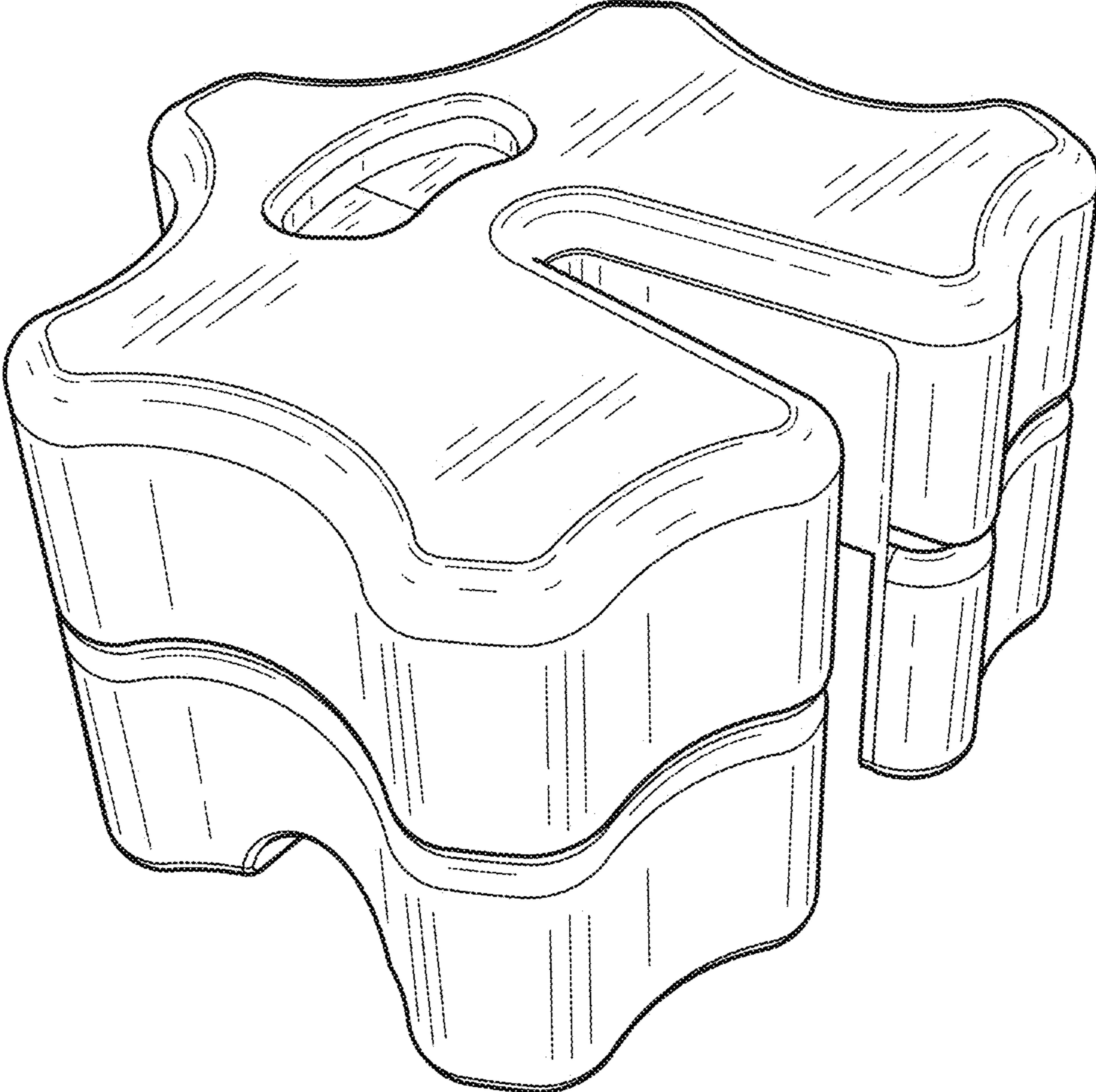


FIG. 1

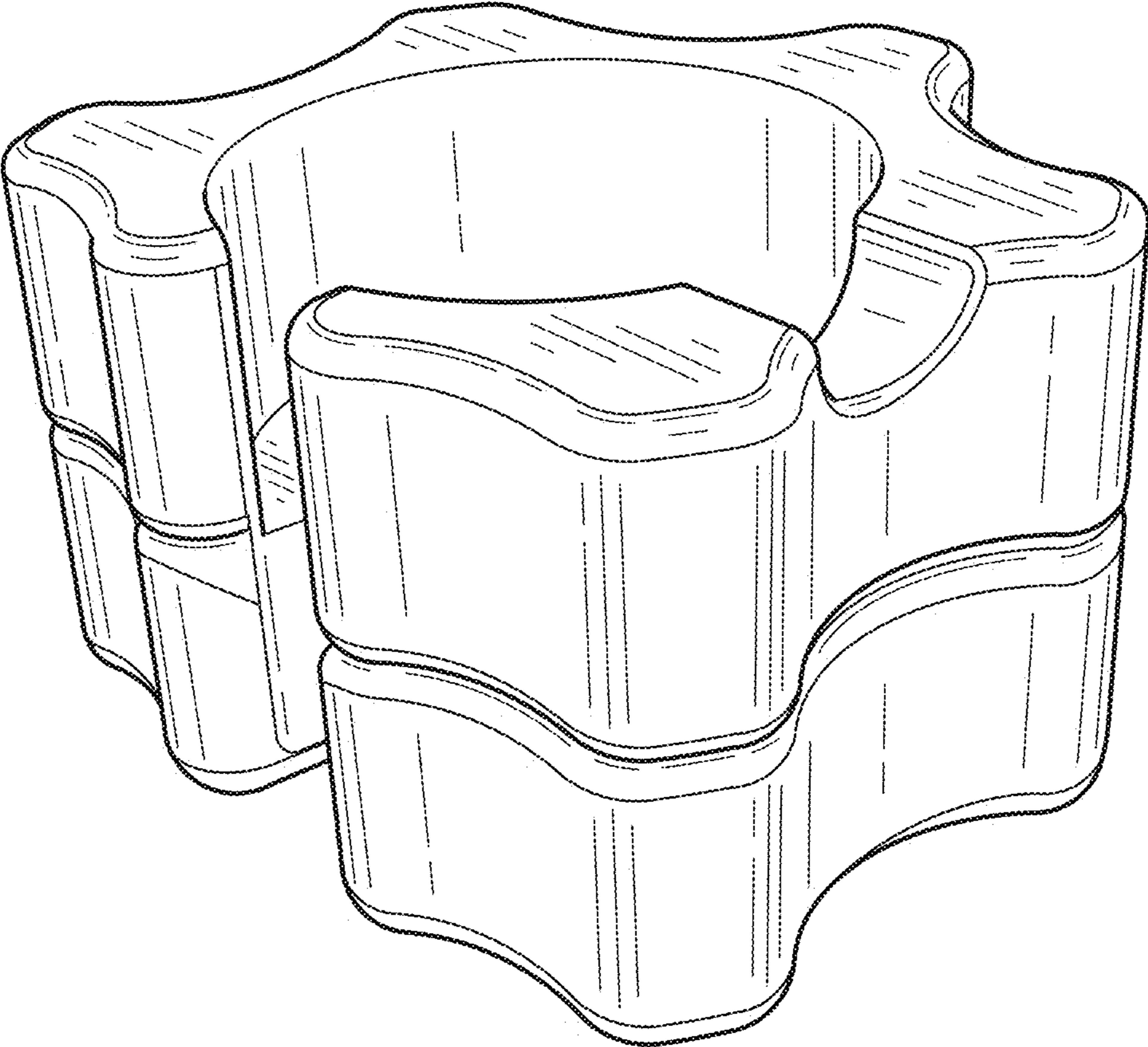


FIG. 2

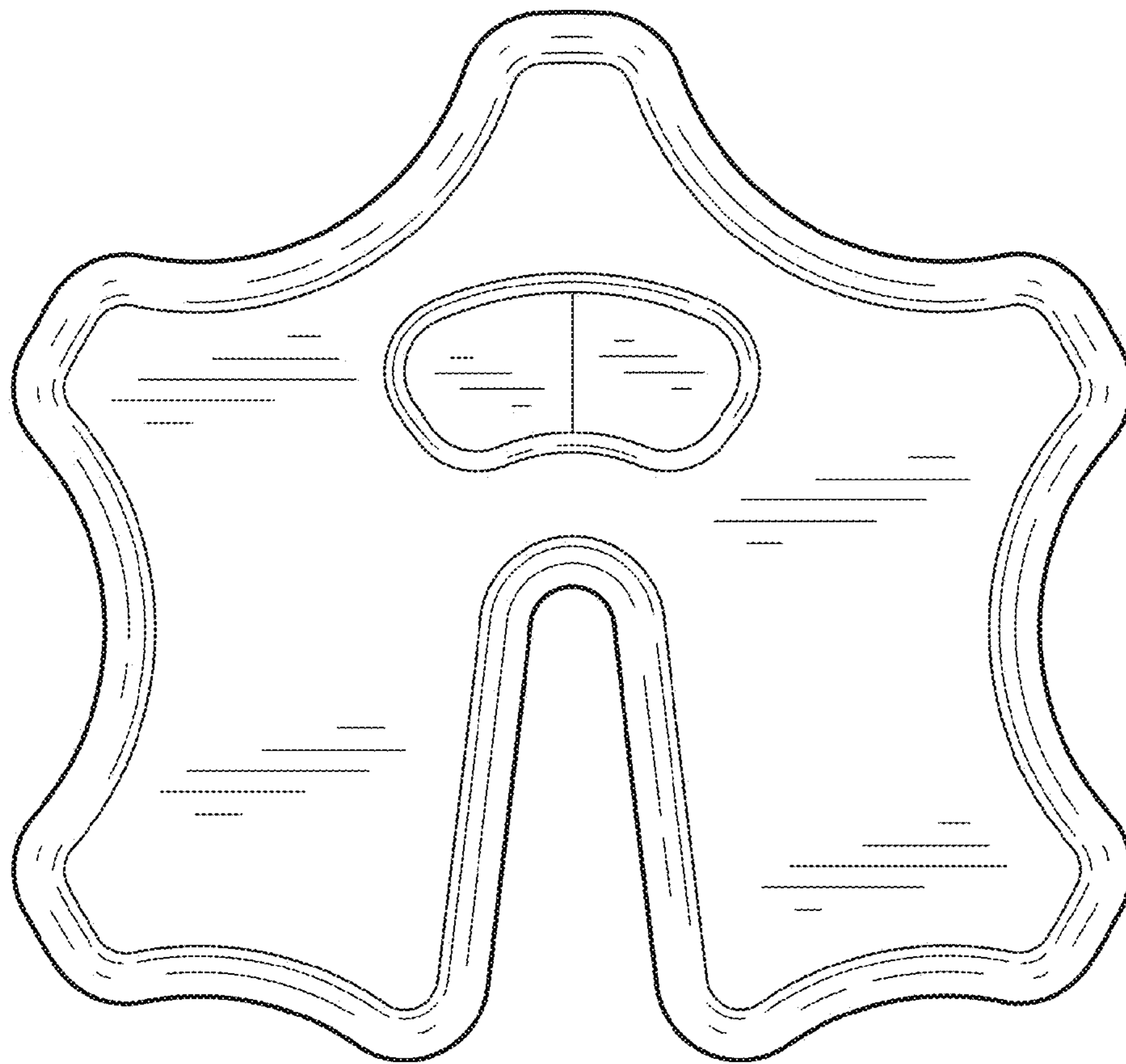


FIG. 3

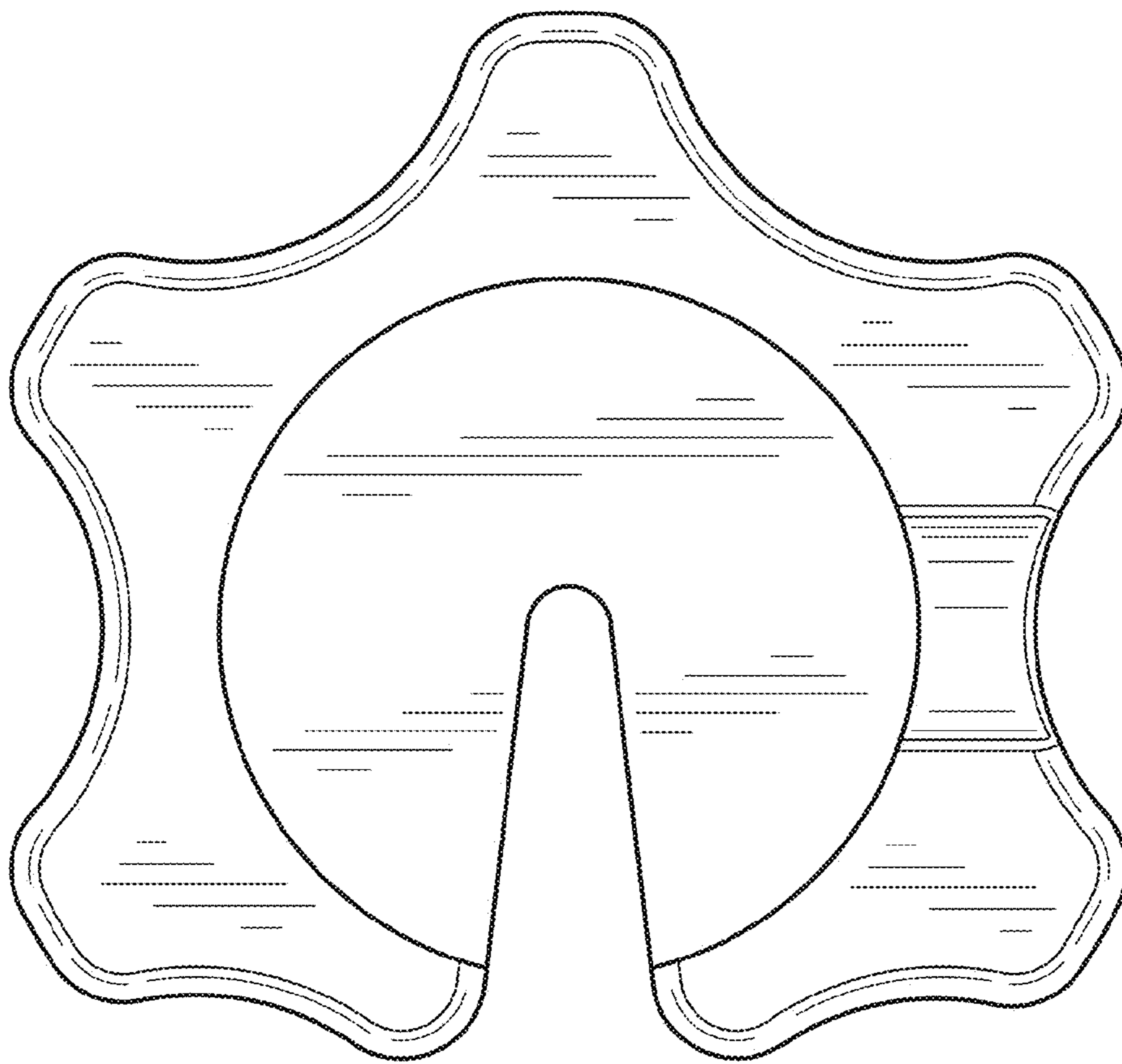


FIG. 4