



US00D701298S

(12) **United States Design Patent**  
**Daisaku**

(10) **Patent No.:** **US D701,298 S**  
(45) **Date of Patent:** **\*\* Mar. 18, 2014**

(54) **NECKLACE FAN WITH INLET GUARD**

(76) Inventor: **Ippei Daisaku**, Tokyo (JP)

(\*\*) Term: **14 Years**

(21) Appl. No.: **29/421,190**

(22) Filed: **Jun. 11, 2012**

(51) **LOC (10) Cl.** ..... **23-04**

(52) **U.S. Cl.**  
USPC ..... **D23/370**

(58) **Field of Classification Search**  
USPC ..... D23/317, 330, 332-342, 351-360, 363,  
D23/364, 370-379, 381-383, 385-388, 393,  
D23/394, 399, 411-414; 454/237-253, 186,  
454/228-236, 192; 52/302.1; 417/423.1,  
417/423.14; 415/182.1, 200, 90; 416/244 R,  
416/246, 247 R; D6/309; D21/430, 436,  
D21/442, 447, 450, 453, 458; 5/421, 423  
See application file for complete search history.

(56) **References Cited**

**U.S. PATENT DOCUMENTS**

D313,275 S *	12/1990	Aida .....	D23/370
D314,614 S *	2/1991	Ko .....	D23/328
D339,858 S *	9/1993	Shong .....	D23/382
D349,570 S *	8/1994	Radtke, Jr. ....	D23/382
D365,393 S *	12/1995	Geun .....	D23/382
D372,523 S *	8/1996	Radtke, Jr. ....	D23/328
D460,542 S *	7/2002	Li .....	D23/328
D543,614 S *	5/2007	Chen .....	D23/382
D656,230 S *	3/2012	Robinson et al. ....	D23/363
D664,636 S *	7/2012	Robinson et al. ....	D23/360
D671,630 S *	11/2012	Hideharu et al. ....	D23/382
D676,123 S *	2/2013	Hideharu et al. ....	D23/370
2008/0101928 A1 *	5/2008	Chen .....	415/213.1

\* cited by examiner

*Primary Examiner* — Susan Bennett Hattan

*Assistant Examiner* — Janice Hallmark

(74) *Attorney, Agent, or Firm* — Knechtel, Demeur & Samlan

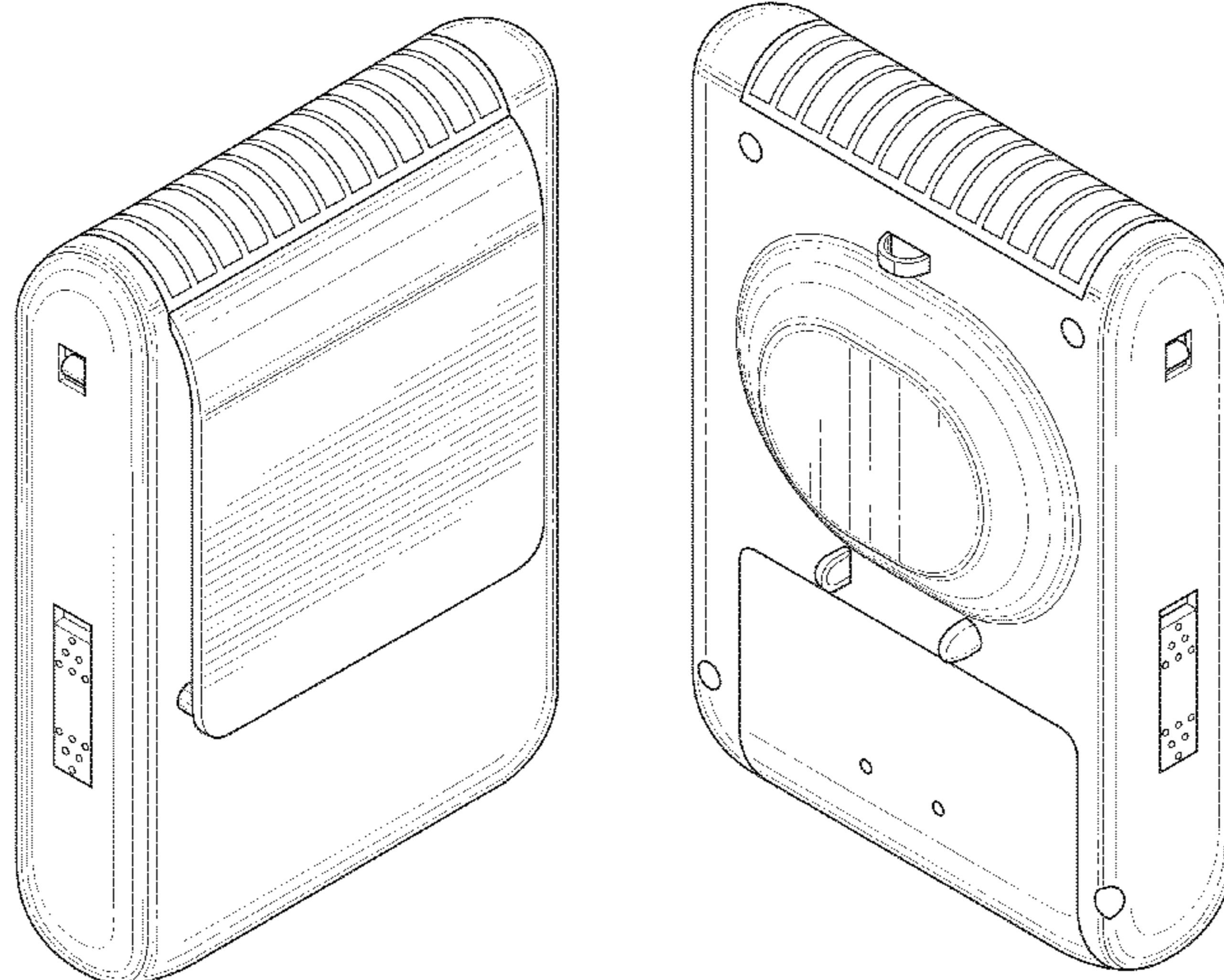
(57) **CLAIM**

I claim the ornamental design for a necklace fan with inlet guard, as shown and described.

**DESCRIPTION**

FIG. 1 is a front perspective view of the necklace fan with inlet guard;  
 FIG. 2 is a rear perspective view of the necklace fan with inlet guard;  
 FIG. 3 is a front elevational view of the necklace fan with inlet guard;  
 FIG. 4 is a rear elevational view of the necklace fan with inlet guard;  
 FIG. 5 is a bottom elevational view of the necklace fan with inlet guard;  
 FIG. 6 is a top elevational view of the necklace fan with inlet guard;  
 FIG. 7 is a side elevational view of the necklace fan with inlet guard;  
 FIG. 8 is a side elevational view of the opposed side of the necklace fan with inlet guard;  
 FIG. 9 is a cross-sectional view of the necklace fan with inlet guard, taken in the direction of line 9-9 on FIG. 7.  
 FIG. 10 is a cross-sectional view of the necklace fan with inlet guard, taken in the direction of line 10-10 on FIG. 7.  
 FIG. 11 is a cross-sectional view of the necklace fan with inlet guard, taken in the direction of line 11-11 on FIG. 5.  
 FIG. 12 is a cross-sectional view of the necklace fan with inlet guard, taken in the direction of line 12-12 on FIG. 5; and,  
 FIG. 13 is a cross-sectional view of the necklace fan with inlet guard, taken in the direction of the line 13-13 on FIG. 5.  
 The broken lines in the drawings depict environmental subject matter only and form no part of the claimed design.

**1 Claim, 11 Drawing Sheets**



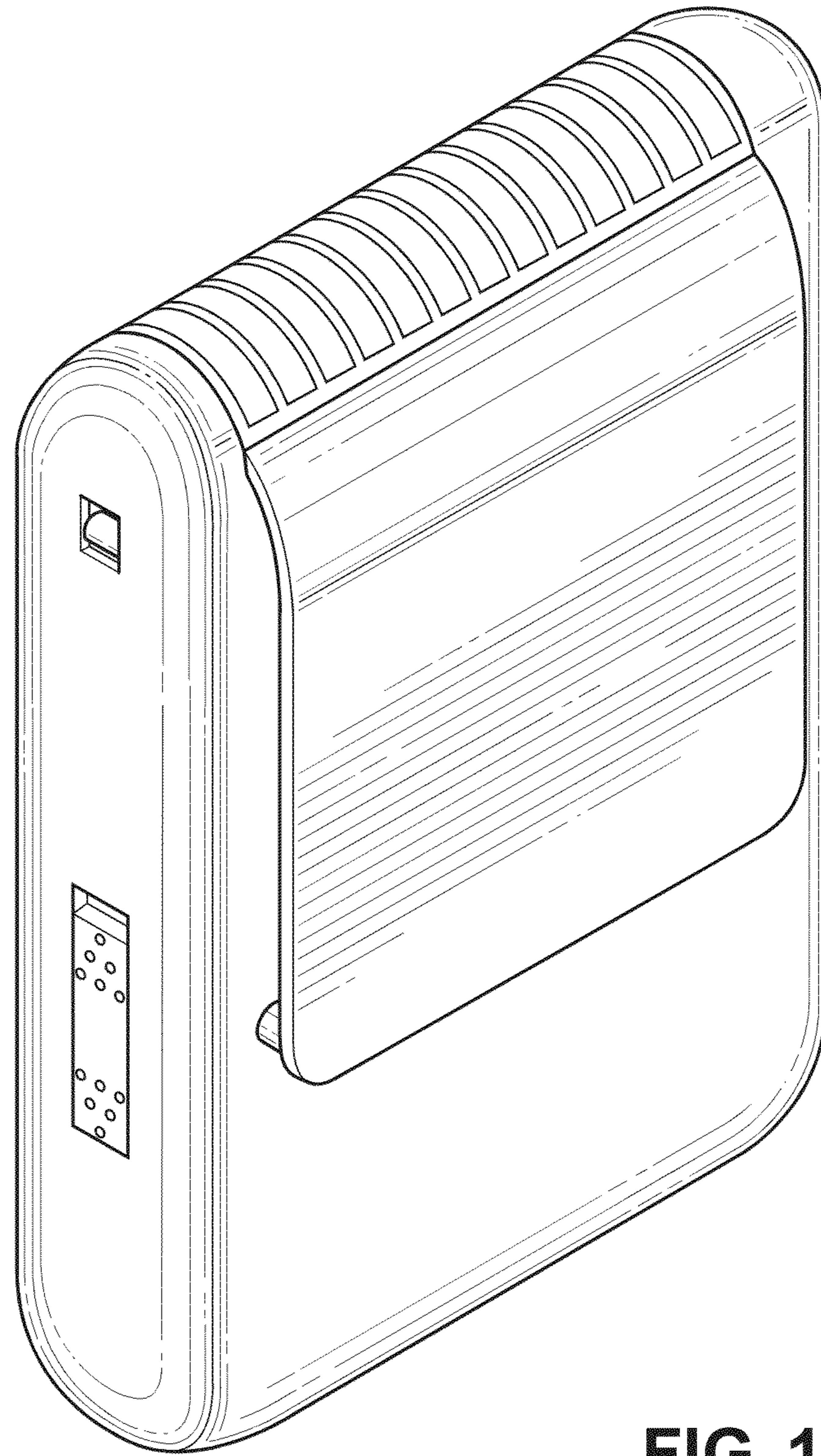


FIG. 1



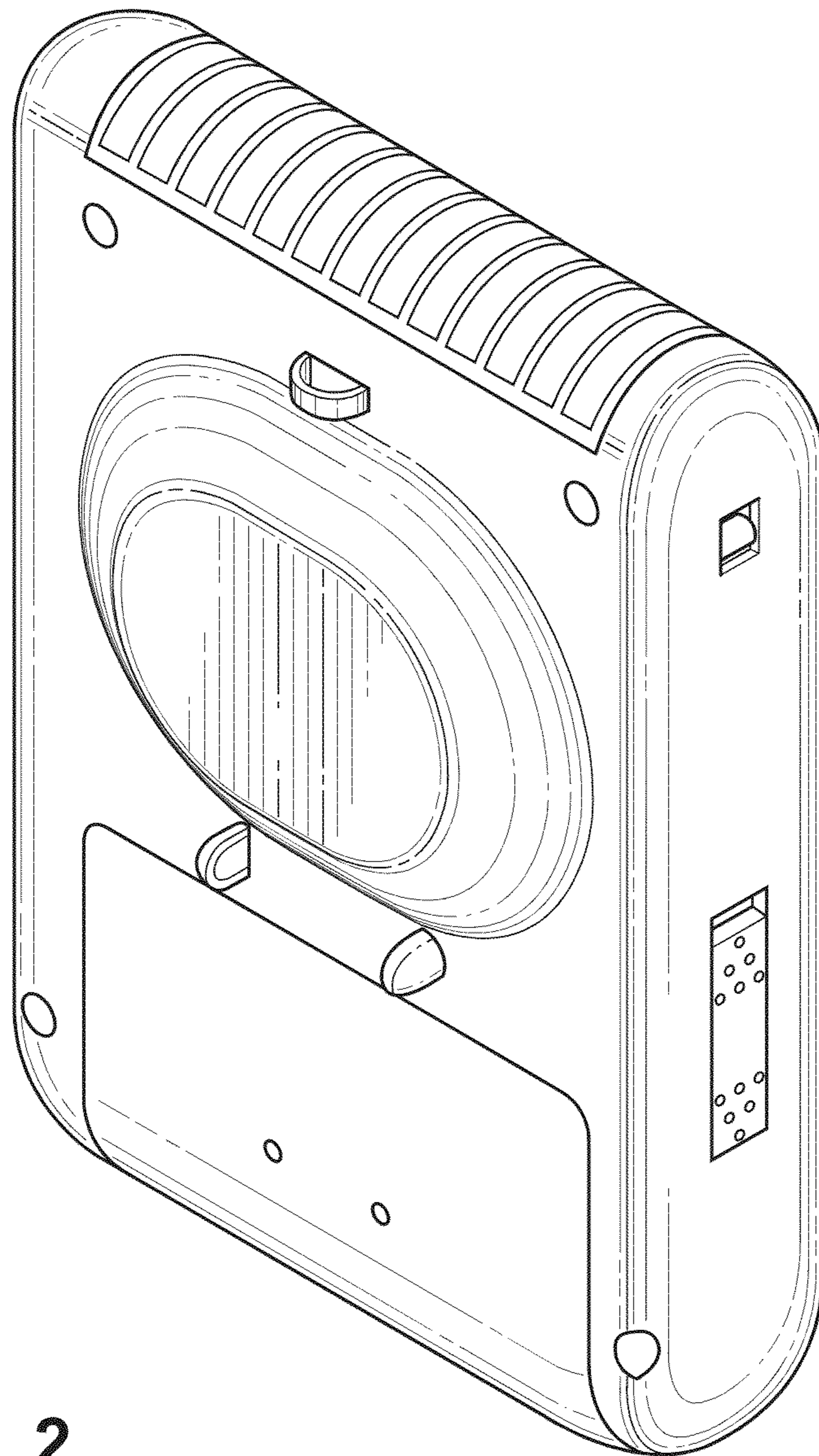


FIG. 2



**FIG. 3**

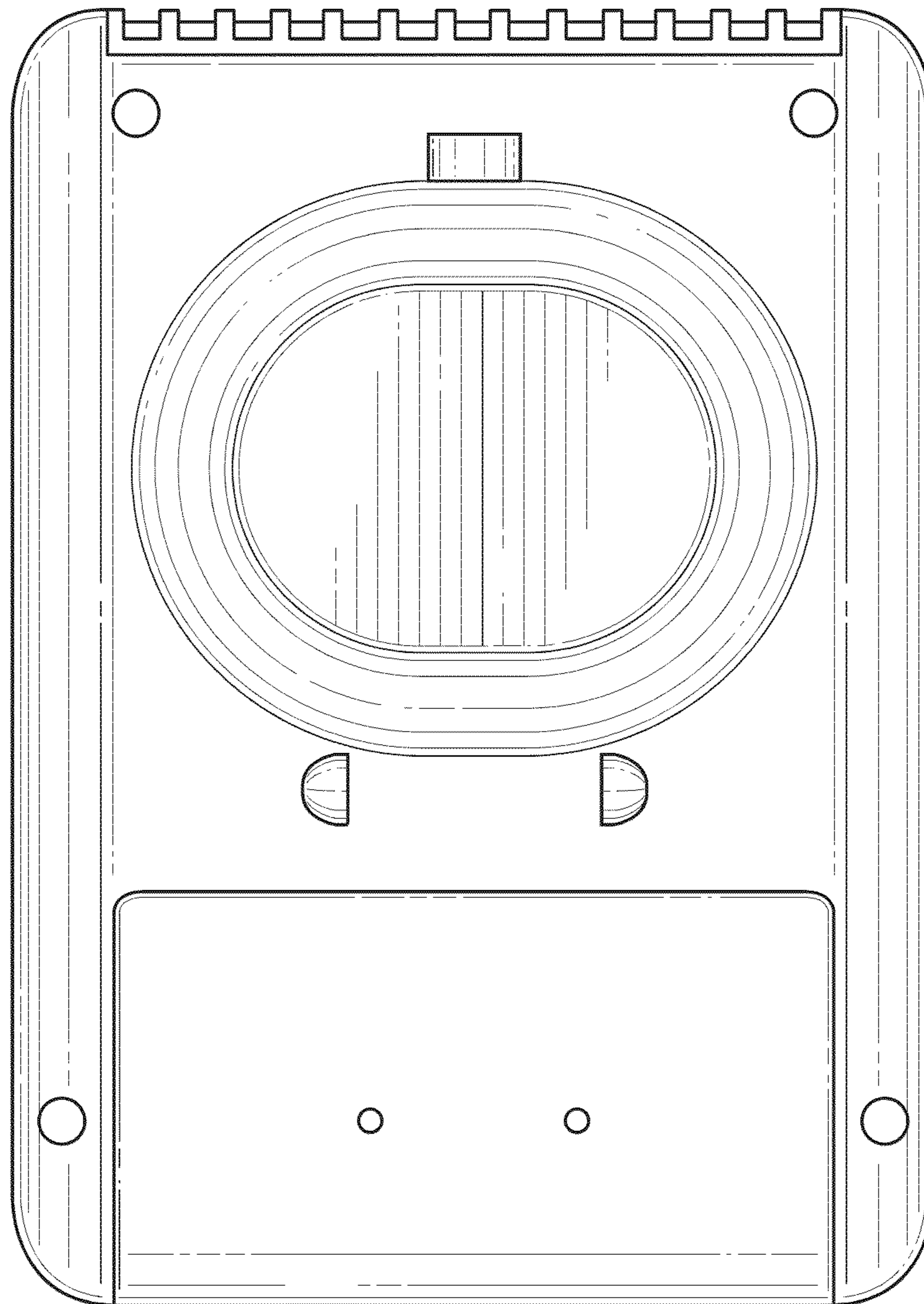


FIG. 4

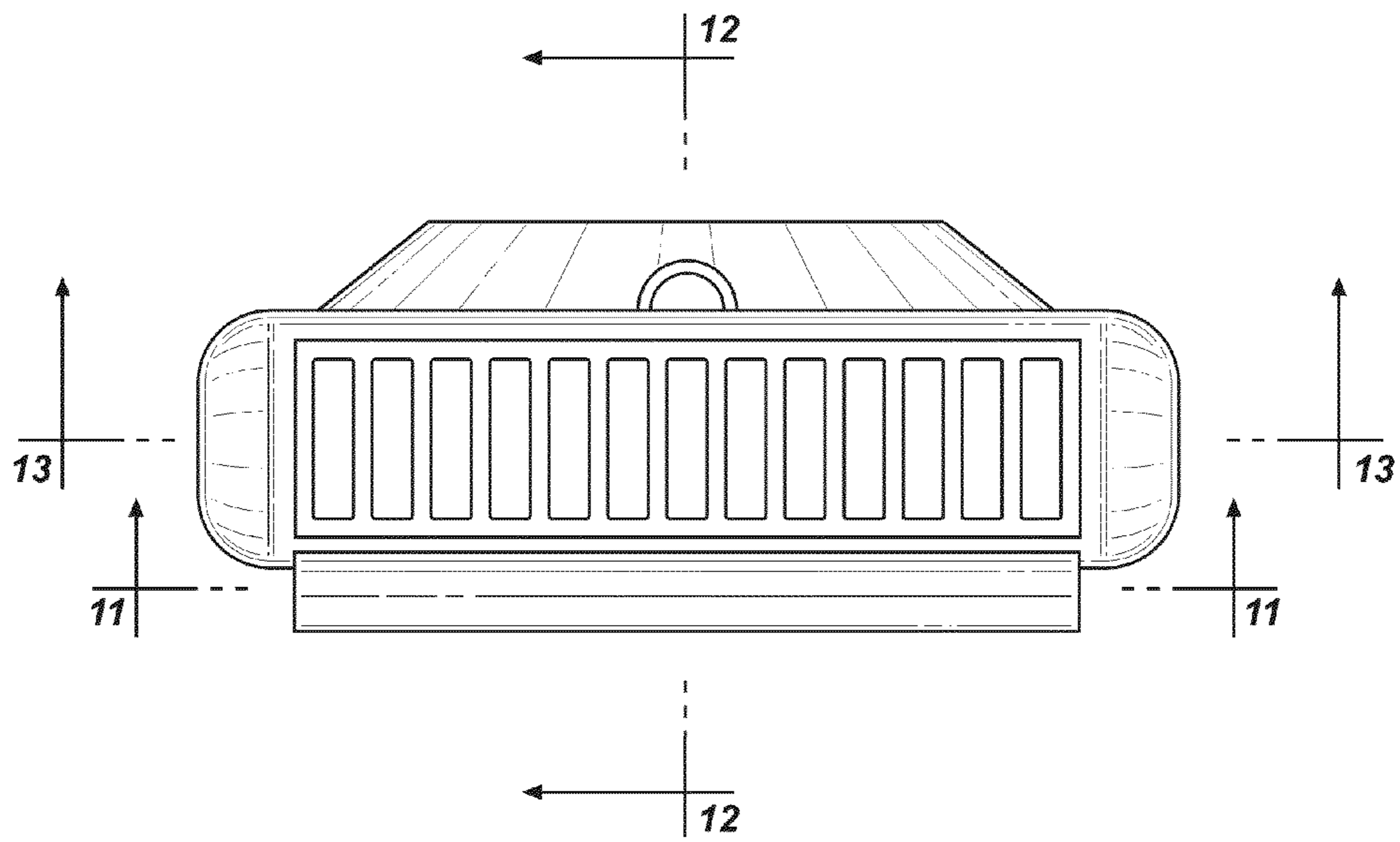


FIG. 5

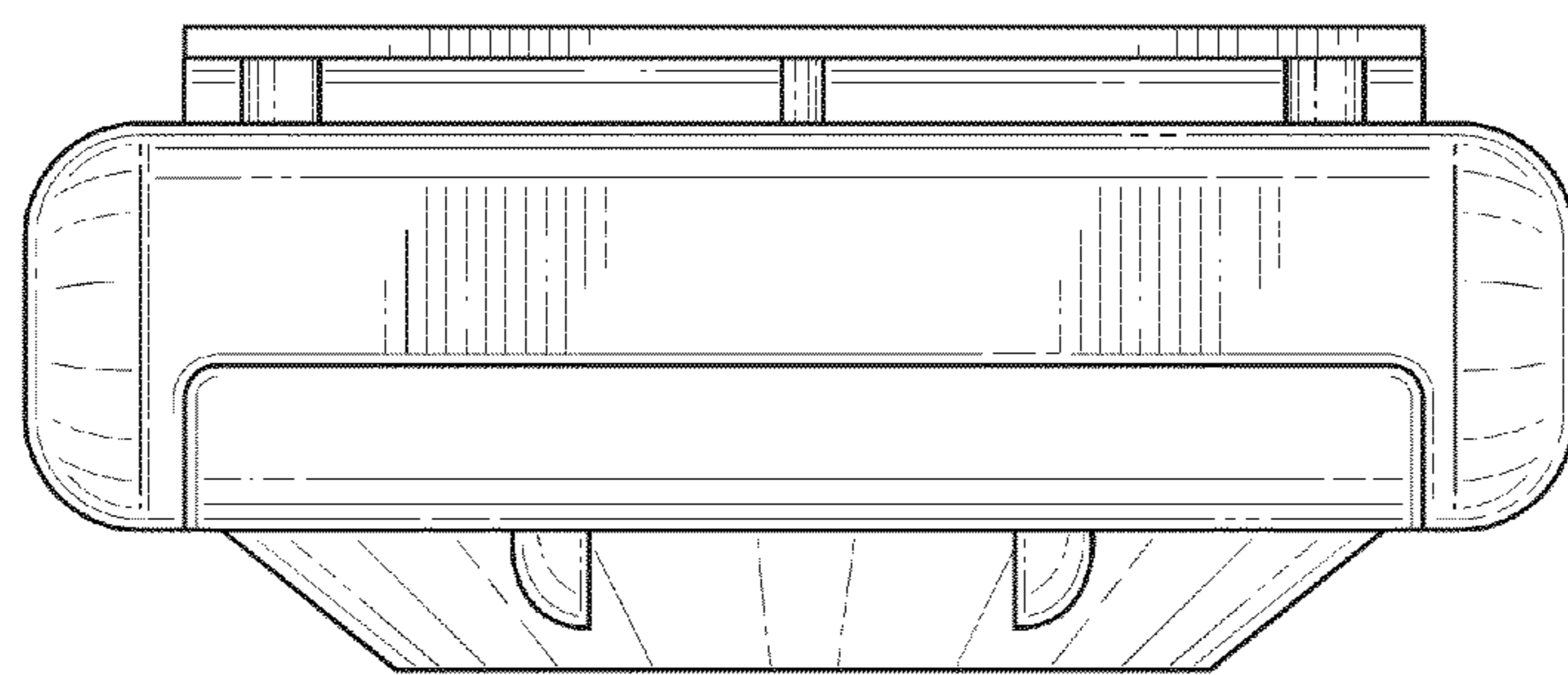


FIG. 6

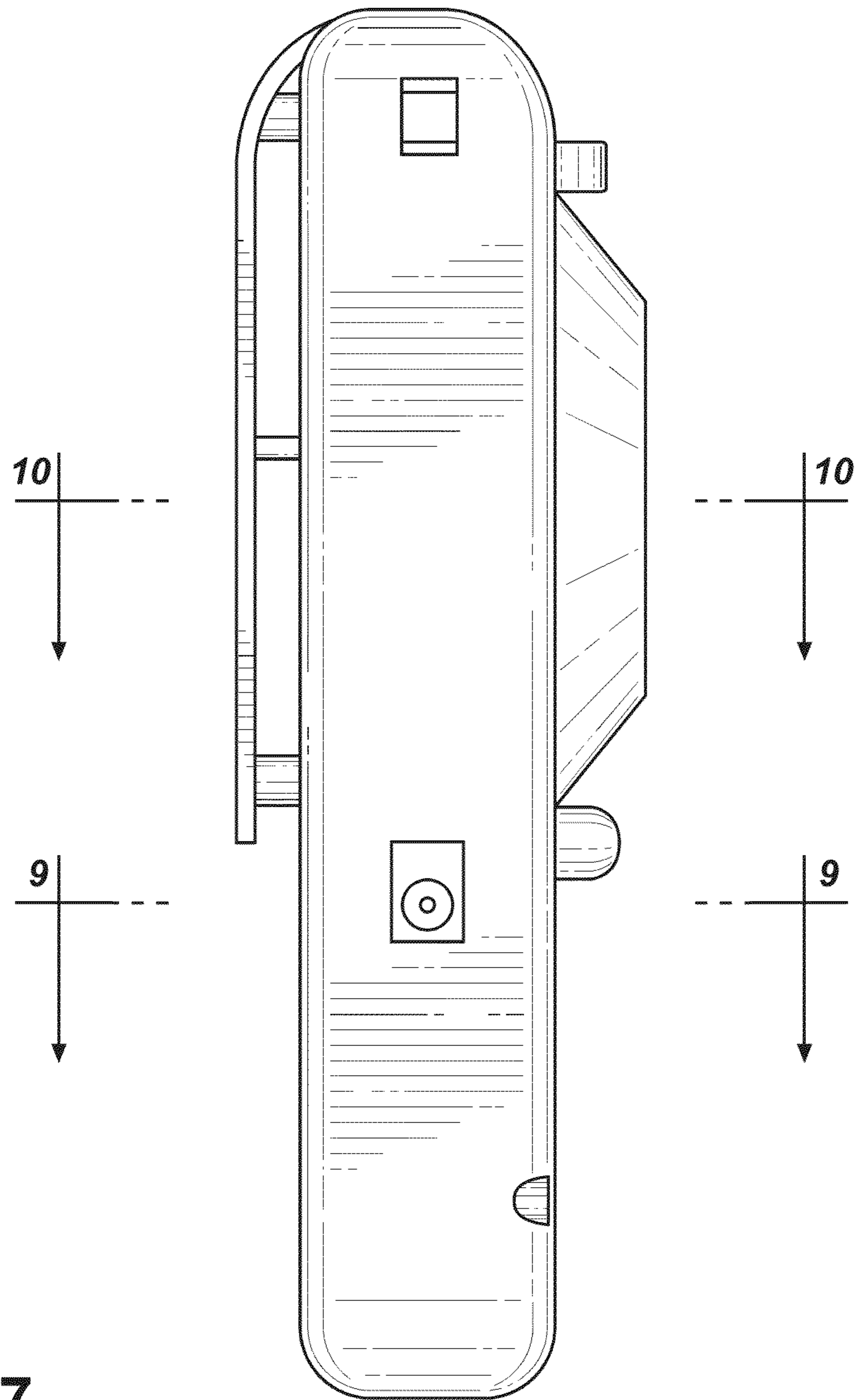


FIG. 7



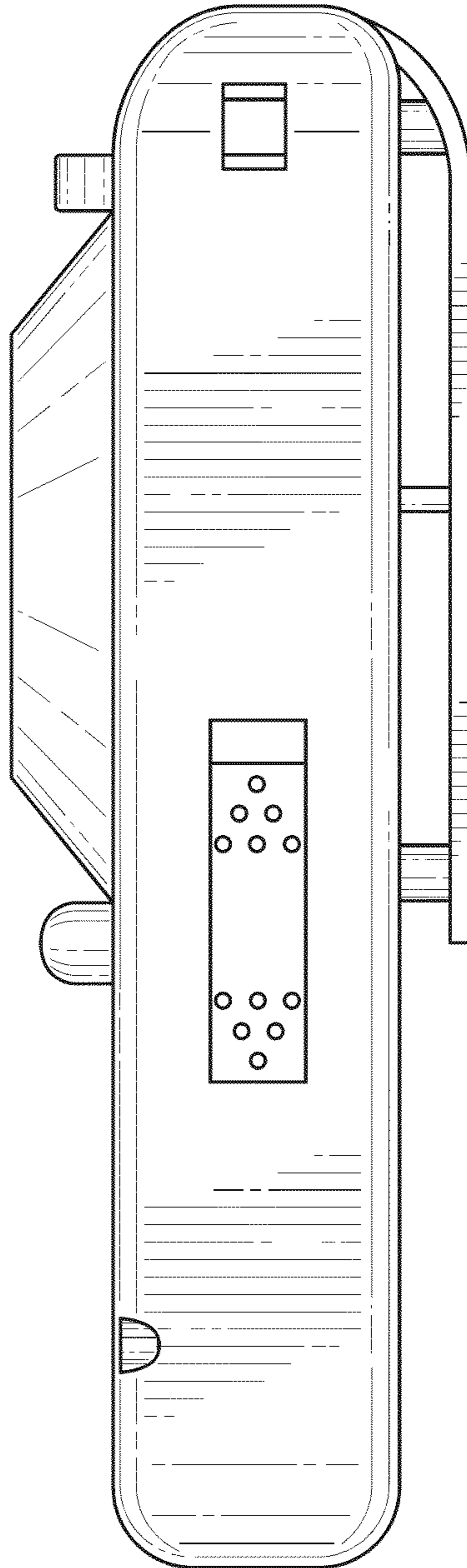
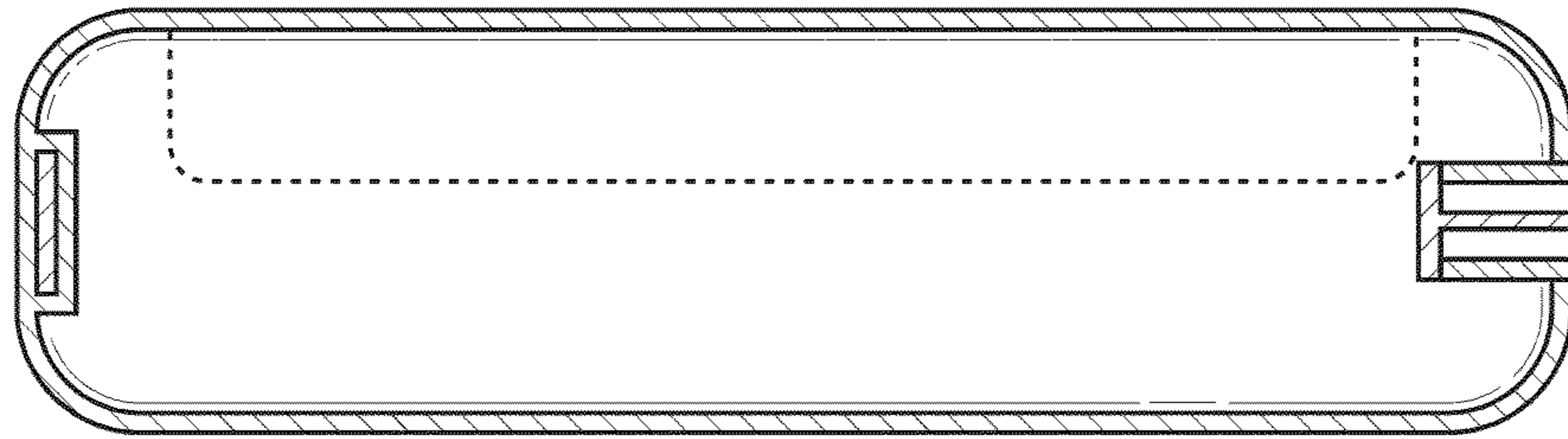
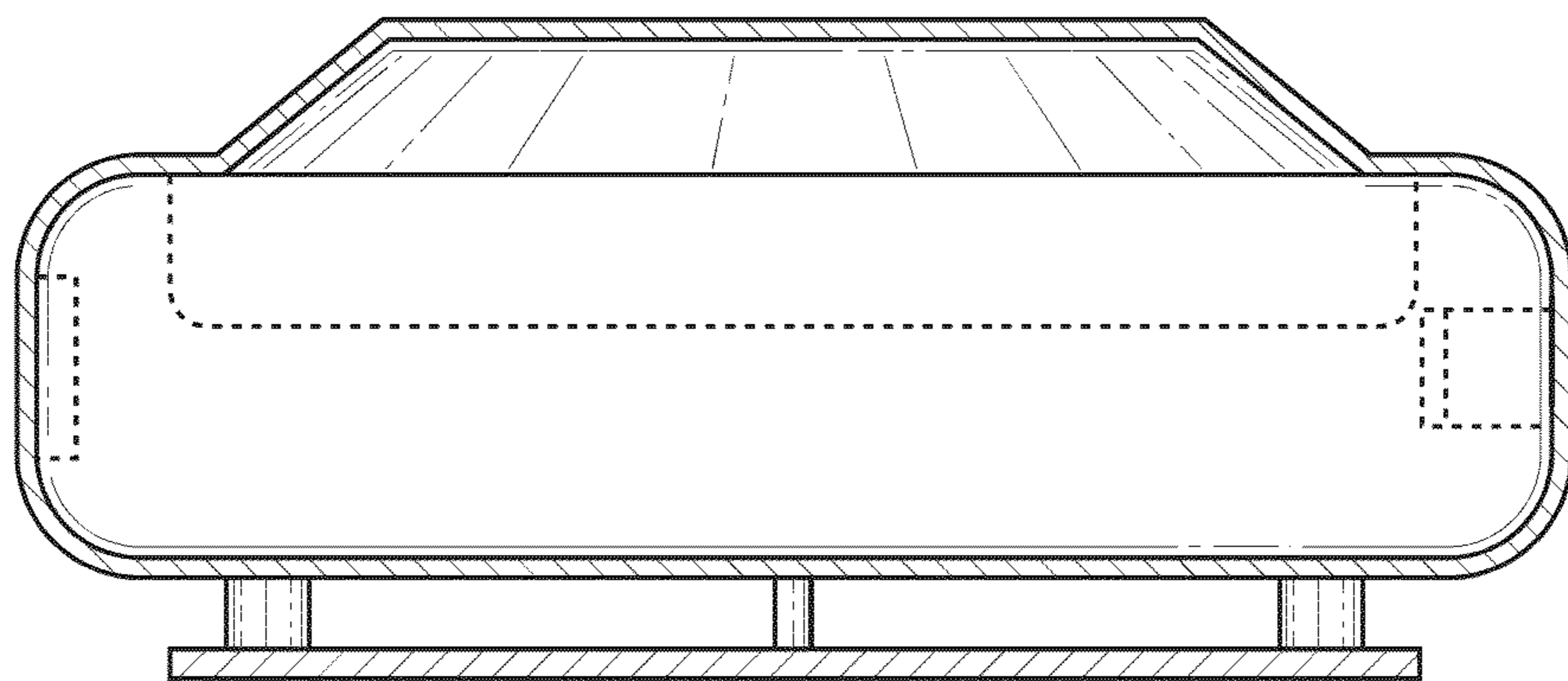


FIG. 8





**FIG. 9**



**FIG. 10**

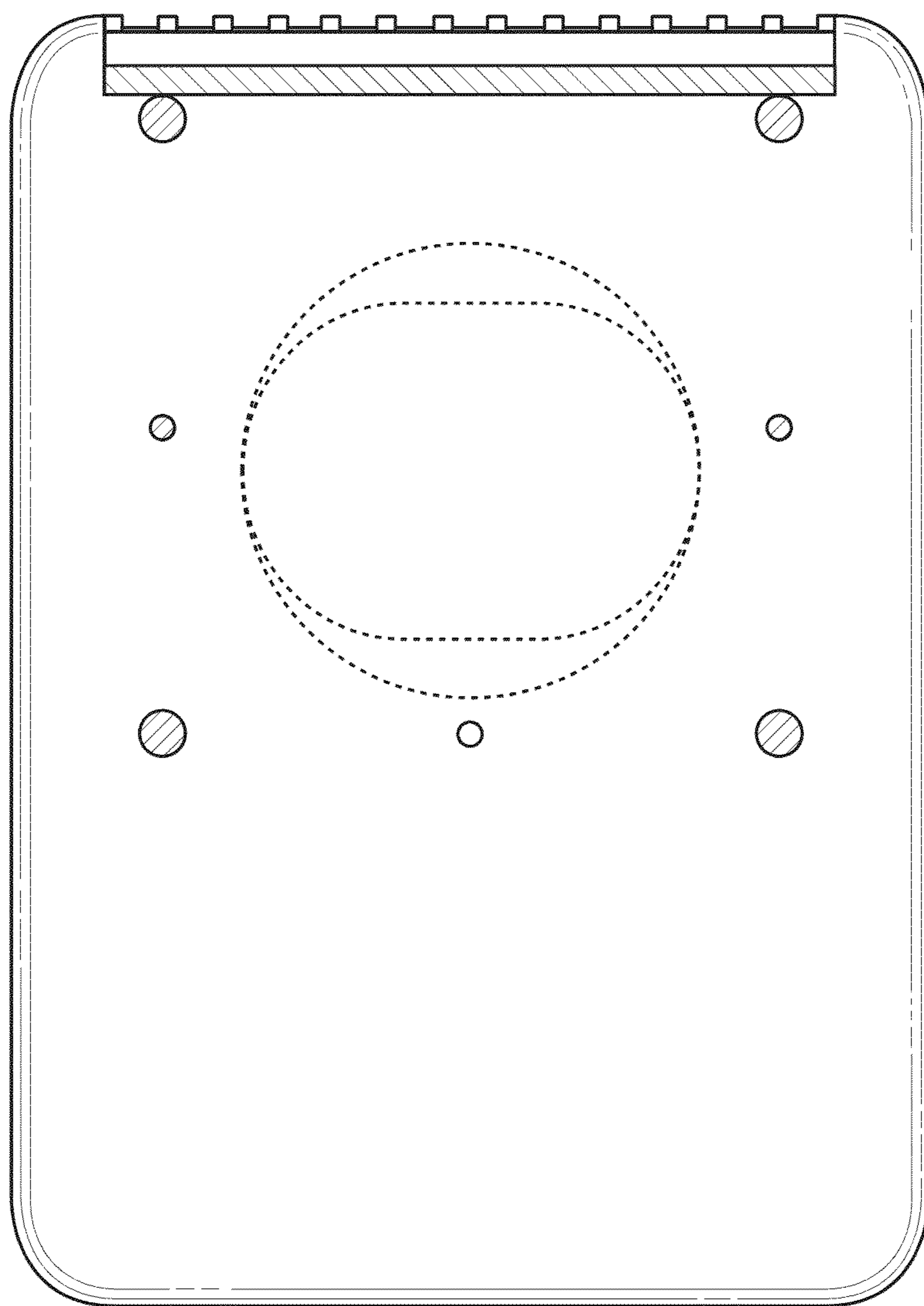


FIG. 11

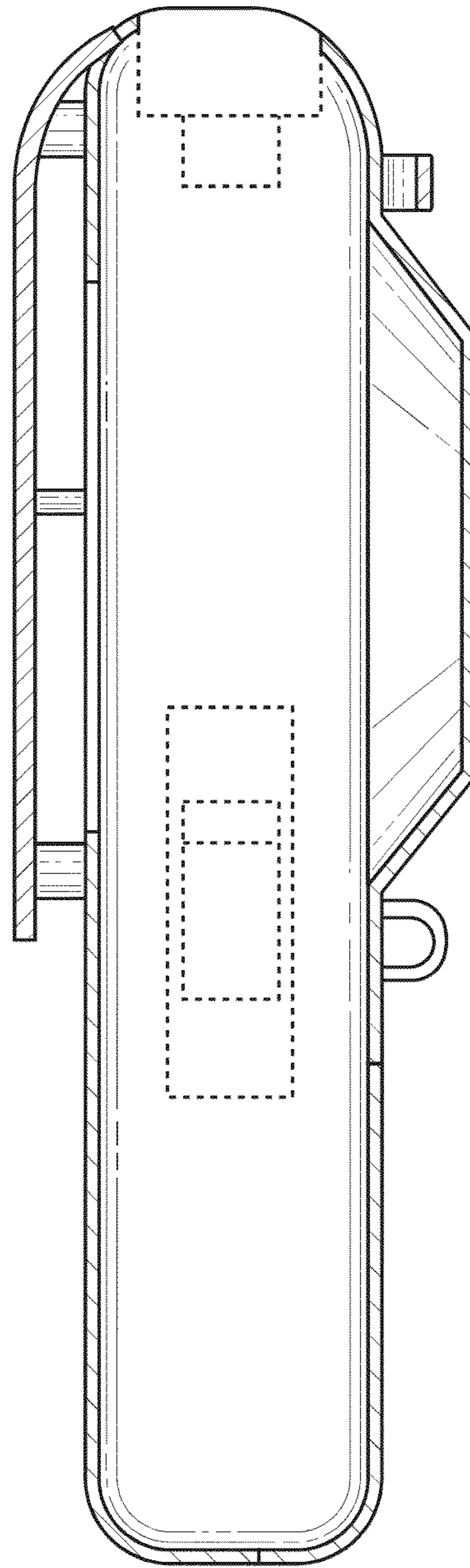


FIG. 12

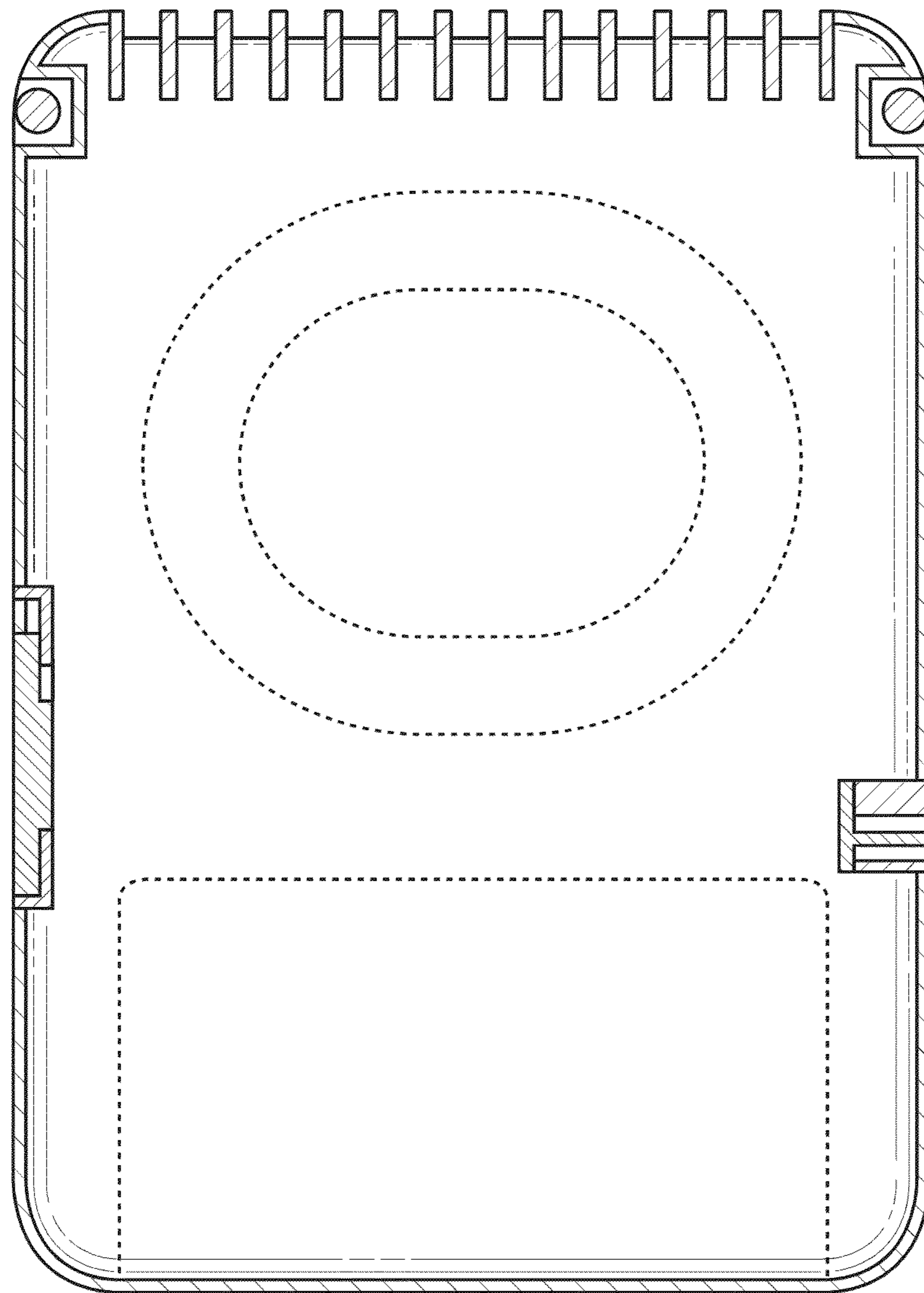


FIG. 13