



US00D701296S

(12) **United States Design Patent**
Engelhardt

(10) **Patent No.:** **US D701,296 S**
(45) **Date of Patent:** **** Mar. 18, 2014**

(54) **FITTING FOR A PERFUME VAPORIZER**

(75) Inventor: **Sabine Engelhardt**, Stuttgart (DE)

(73) Assignee: **Daimler AG**, Stuttgart (DE)

(**) Term: **14 Years**

(21) Appl. No.: **29/420,409**

(22) Filed: **May 9, 2012**

(30) **Foreign Application Priority Data**

Nov. 10, 2011 (EM) 001945635-0005

(51) **LOC (10) Cl.** **23-04**

(52) **U.S. Cl.**
USPC **D23/360**

(58) **Field of Classification Search**
USPC D23/355–366, 352, 369, 332, 333, 335,
D23/336, 342, 351; 422/120, 122; 55/356,
55/473, 504; 96/97; 261/DIG. 17, DIG. 65,
261/DIG. 88, DIG. 31; D9/424, 425, 426,
D9/431, 432; D12/415
See application file for complete search history.

(56) **References Cited**

U.S. PATENT DOCUMENTS

D279,412 S * 6/1985 Fung D28/58
4,941,897 A * 7/1990 Vann, III 96/8

D369,586 S * 5/1996 Ocampo, Sr. D12/415
5,547,616 A * 8/1996 Dancs et al. 261/DIG. 65
D379,618 S * 6/1997 Hellhake et al. D12/415
6,053,483 A * 4/2000 Chen 261/DIG. 65
D506,525 S * 6/2005 Wang D23/207
D548,399 S * 8/2007 Nikaido et al. D28/54.1
D662,259 S * 6/2012 Vu et al. D28/58
D664,299 S * 7/2012 Ishida D28/54.1
D669,154 S * 10/2012 Choi D23/207
D686,369 S * 7/2013 Horvath et al. D28/54.1
D690,467 S * 9/2013 Jing D28/58

* cited by examiner

Primary Examiner — David Muller

(74) *Attorney, Agent, or Firm* — Crowell & Moring LLP

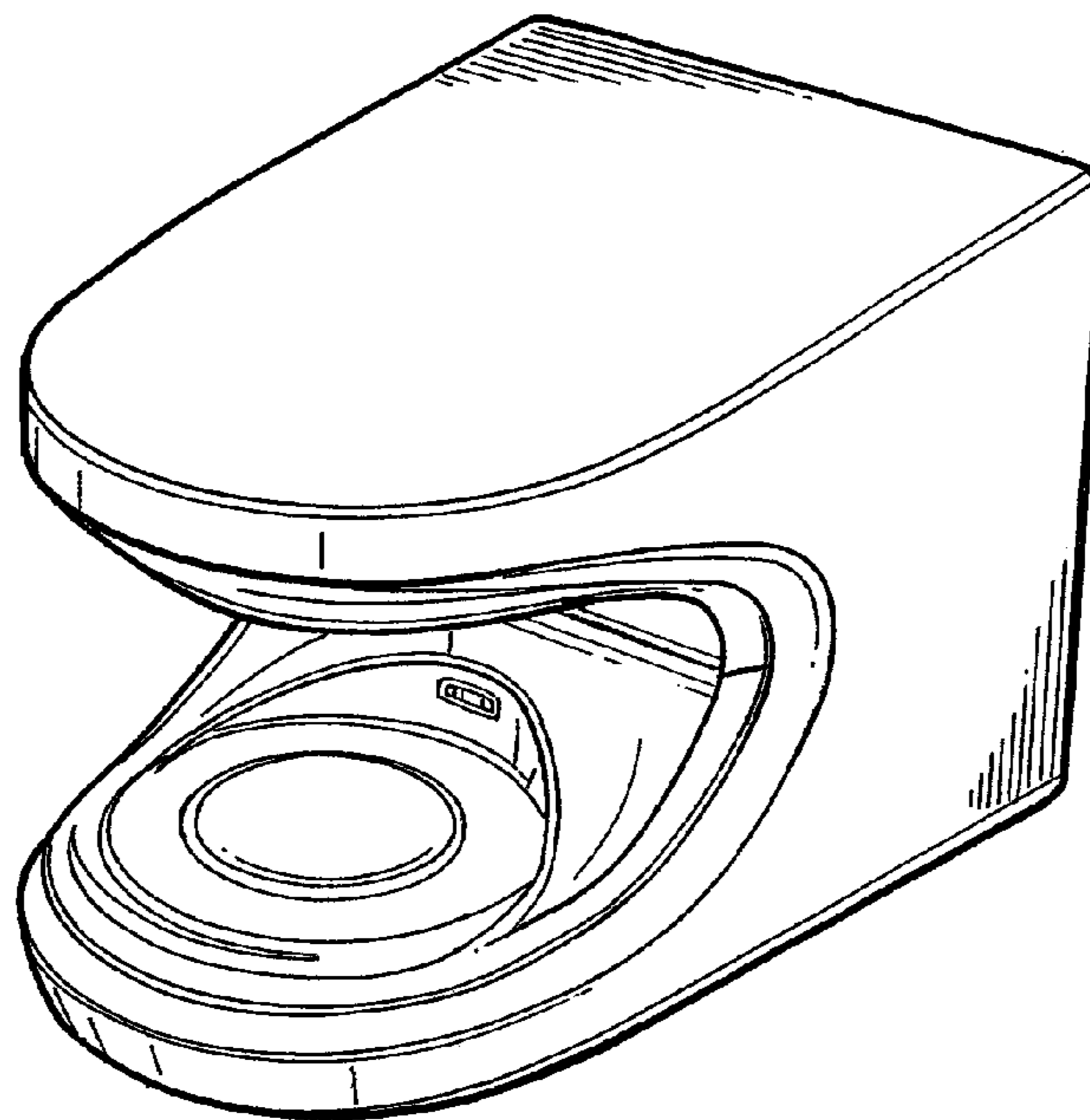
(57) **CLAIM**

The ornamental design for a fitting for a perfume vaporizer, as shown and described.

DESCRIPTION

FIG. 1 is a right, top perspective view of a fitting for a perfume vaporizer according to my design, the left, top perspective view being a mirror image;
FIG. 2 is a front view thereof;
FIG. 3 is a left side view thereof; the right side view being a mirror image; and,
FIG. 4 is a bottom perspective view thereof.
The features shown in broken lines depict environmental structure only and form no part of the claimed design.

1 Claim, 2 Drawing Sheets



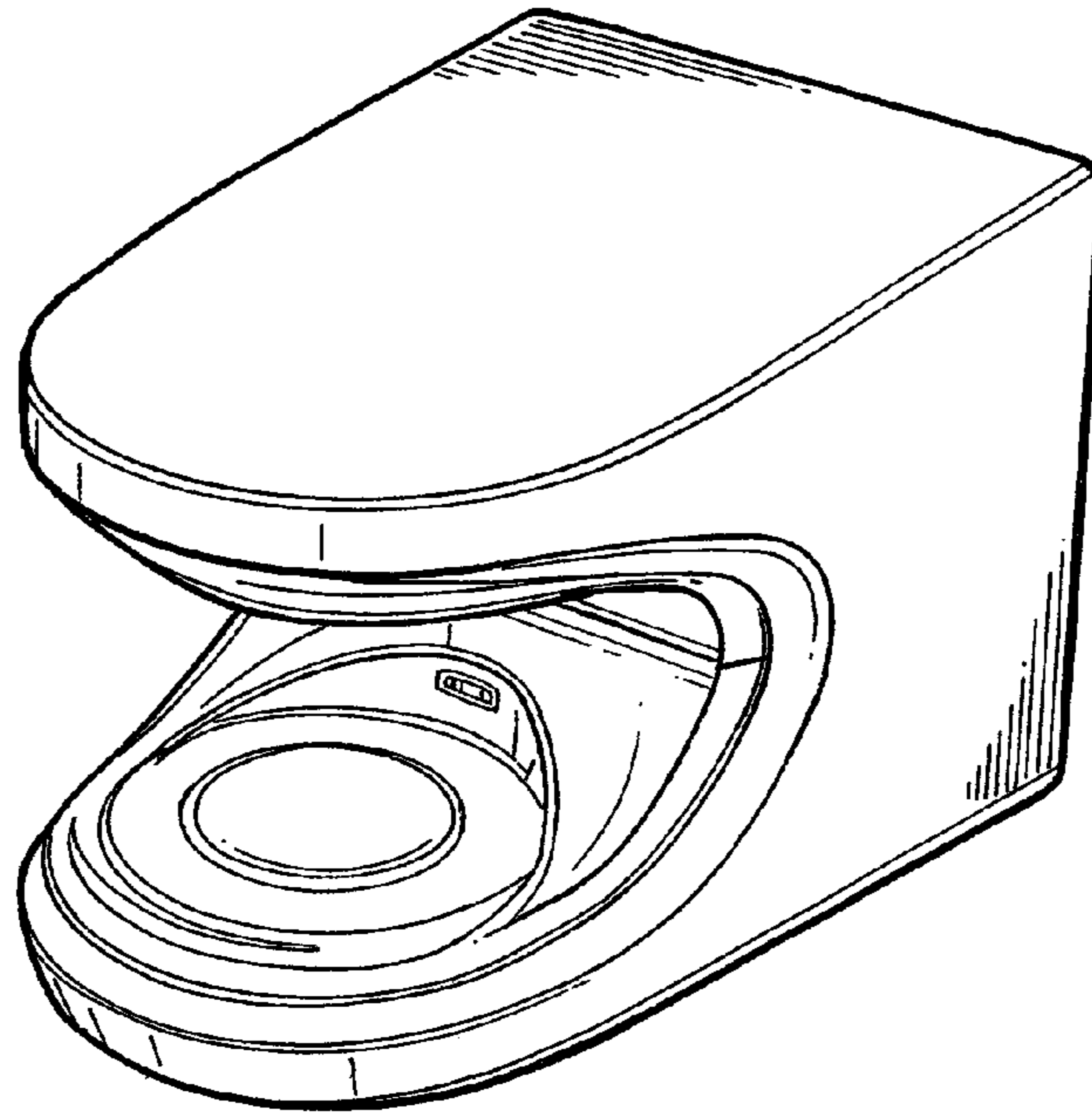


FIG. 1

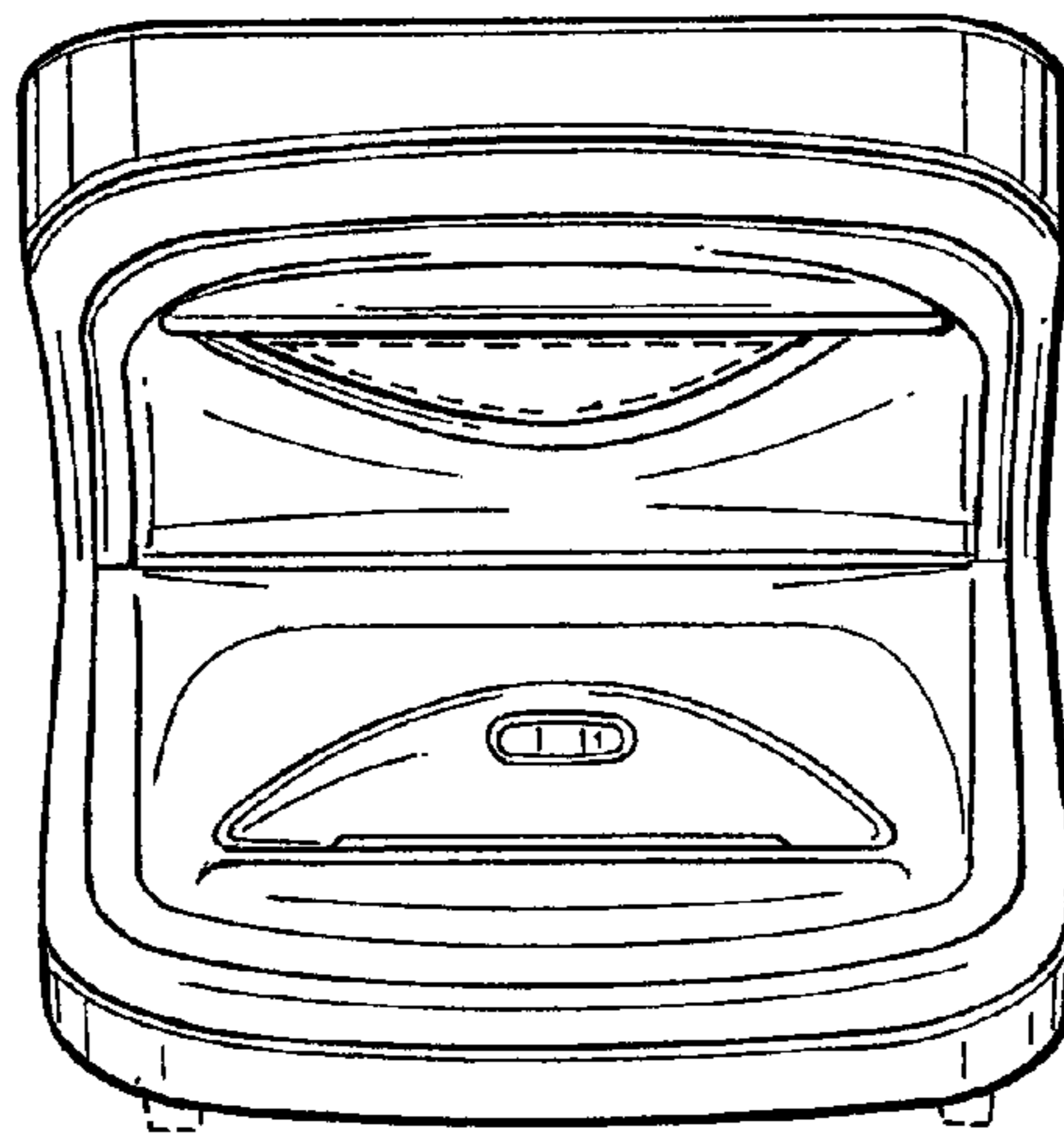


FIG. 2

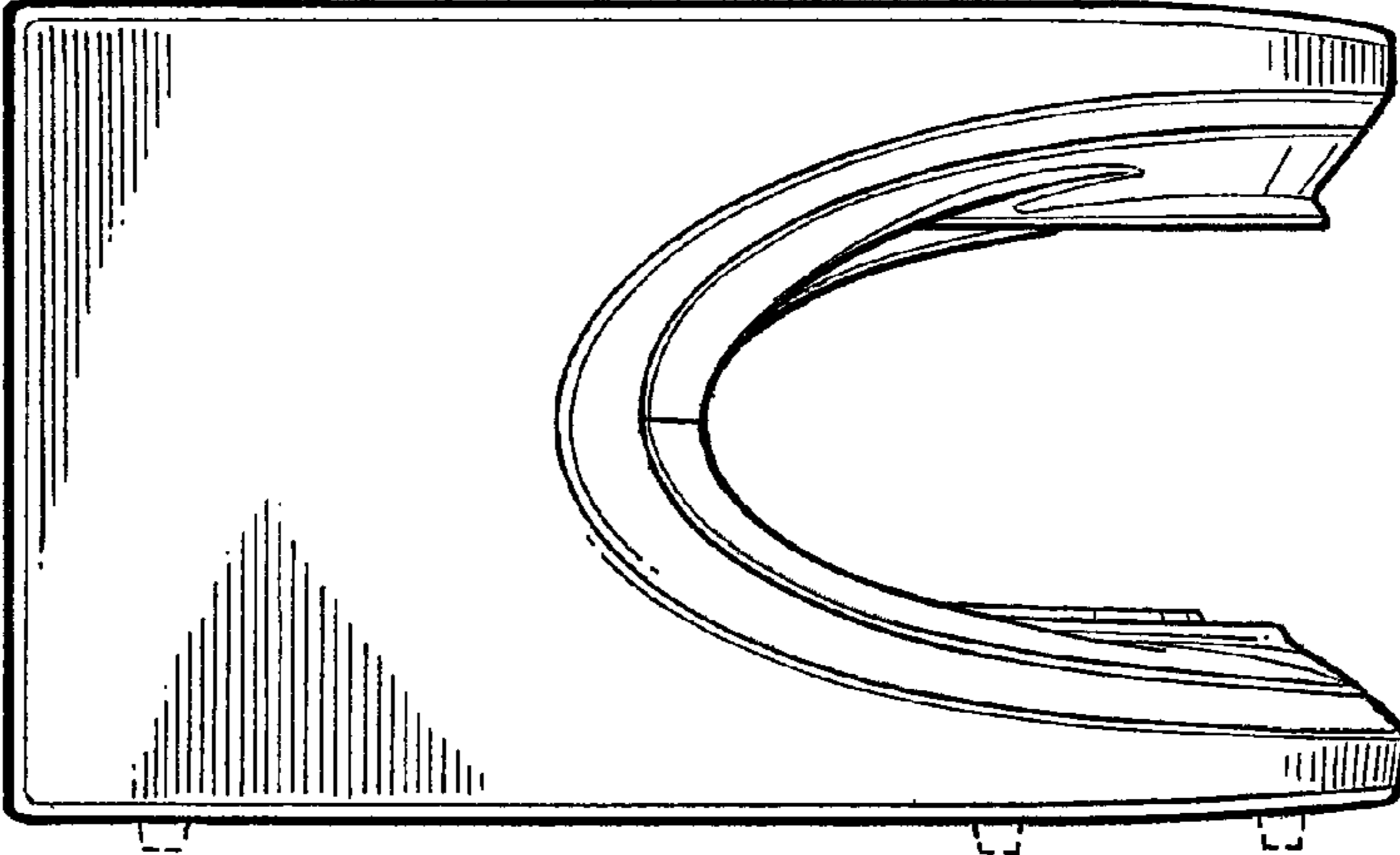


FIG. 3

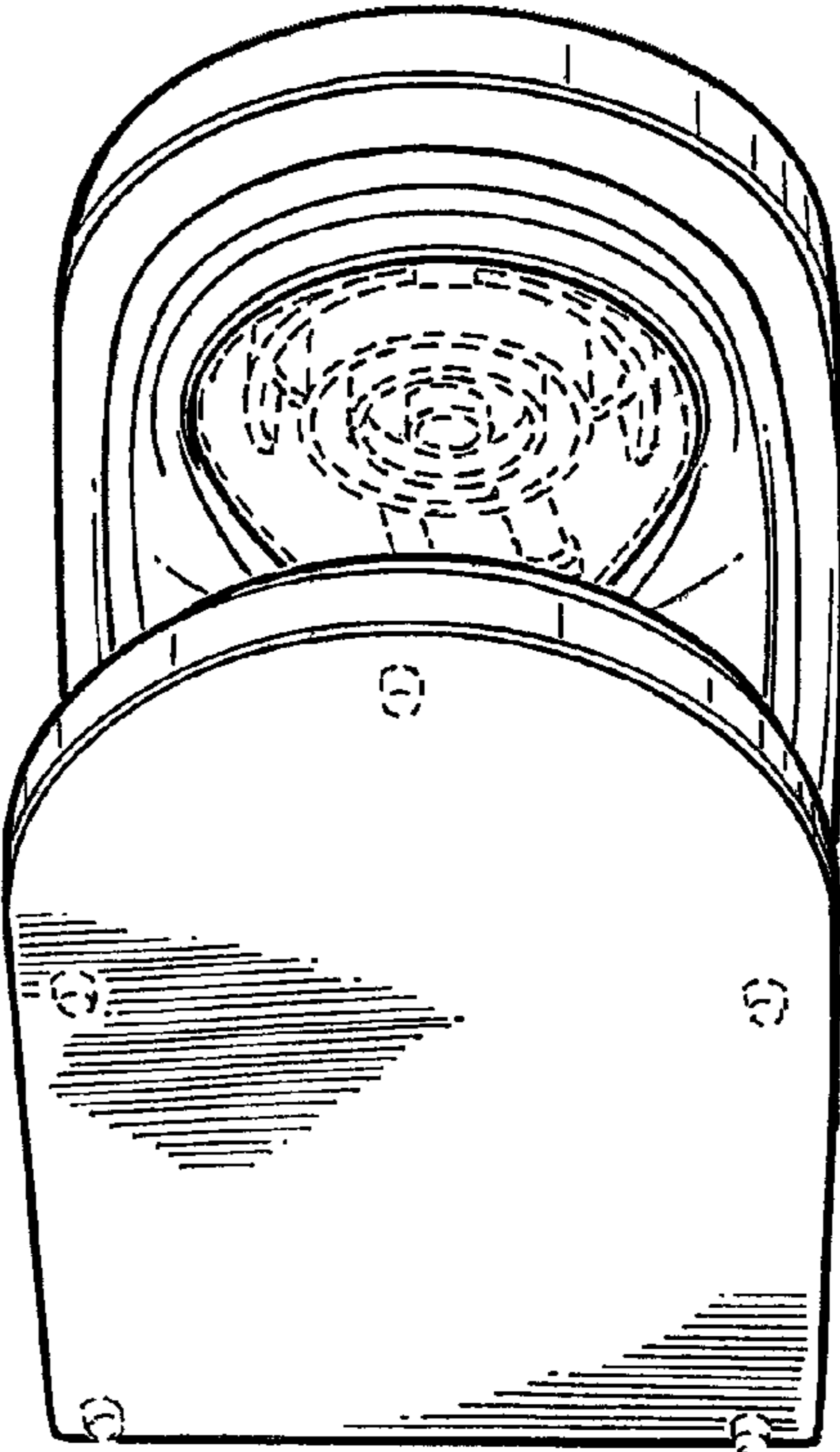


FIG. 4