



US00D701293S

(12) **United States Design Patent**
Mjelde

(10) **Patent No.:** **US D701,293 S**
(45) **Date of Patent:** **** Mar. 18, 2014**

(54) **LOW PROFILE POOL DRAIN WITH ANNULAR SLOT COVER**

(71) Applicant: **Olaf Mjelde**, San Diego, CA (US)

(72) Inventor: **Olaf Mjelde**, San Diego, CA (US)

(**) Term: **14 Years**

(21) Appl. No.: **29/439,906**

(22) Filed: **Dec. 17, 2012**

(51) **LOC (10) Cl.** **23-01**

(52) **U.S. Cl.**
USPC **D23/261**

(58) **Field of Classification Search**
USPC D23/260, 261, 263, 266; 4/286-294,
4/309, 178, 507
See application file for complete search history.

(56) **References Cited**

U.S. PATENT DOCUMENTS

D300,350 S *	3/1989	Mathison	D23/260
D351,220 S	10/1994	Barnes		
6,209,586 B1	4/2001	Wright		
6,340,035 B2	1/2002	Wright		
6,557,588 B2	5/2003	Wright		
6,810,537 B1	11/2004	Barnes et al.		
7,089,607 B2	8/2006	Barnes		
D613,829 S	4/2010	Griffin et al.		

D621,009 S	8/2010	Mjelde		
D623,728 S *	9/2010	Mjelde et al.	D23/261
7,788,743 B2	9/2010	Mjelde		
7,996,931 B2 *	8/2011	Plette	4/507
D657,848 S *	4/2012	Howson	D23/261
D665,055 S *	8/2012	Yanagisawa et al.	D23/261
8,272,078 B2	9/2012	Snow et al.		
8,281,427 B2	10/2012	Afshar		
2006/0053544 A1	3/2006	Hui		
2007/0007192 A1 *	1/2007	Reid	210/269
2012/0167295 A1 *	7/2012	Fima	4/287
2013/0152298 A1 *	6/2013	Lyrstakis	4/507
2013/0191982 A1 *	8/2013	Booker, Jr.	4/290

* cited by examiner

Primary Examiner — Eric Goodman

(74) *Attorney, Agent, or Firm* — Robert J. Lauson, Esq.;
Lauson & Tarver LLP

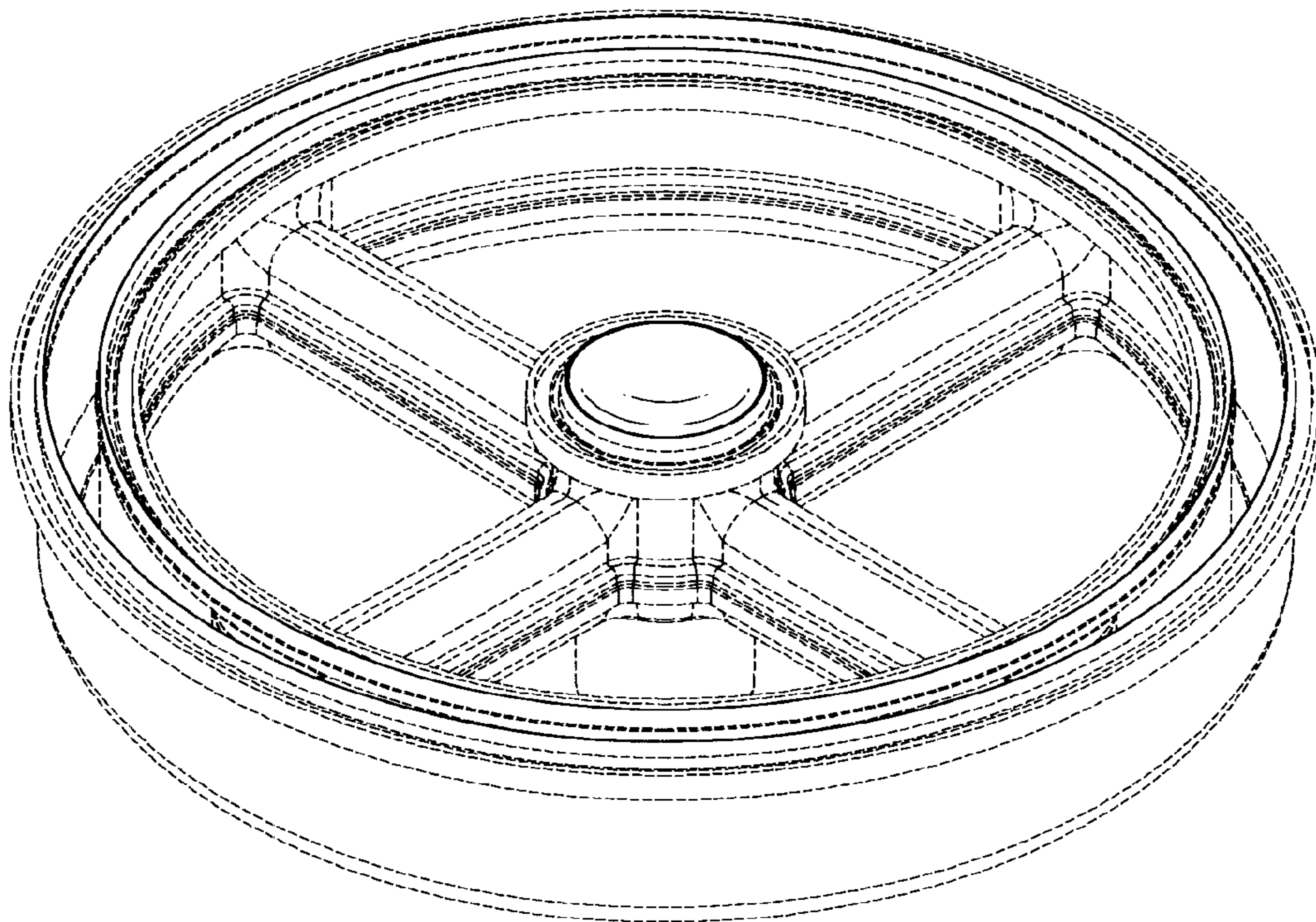
(57) **CLAIM**

I claim the ornamental design for a low profile pool drain with annular slot cover, as shown and described.

DESCRIPTION

FIG. 1 is a perspective view of the preferred embodiment. FIG. 2 is a side view of the preferred embodiment; and, FIG. 3 is a top view of the preferred embodiment. Portions of the drawings shown in broken line are for illustrative purposes only and form no part of the claimed design. The bottom view forms no part of the design and is omitted.

1 Claim, 2 Drawing Sheets



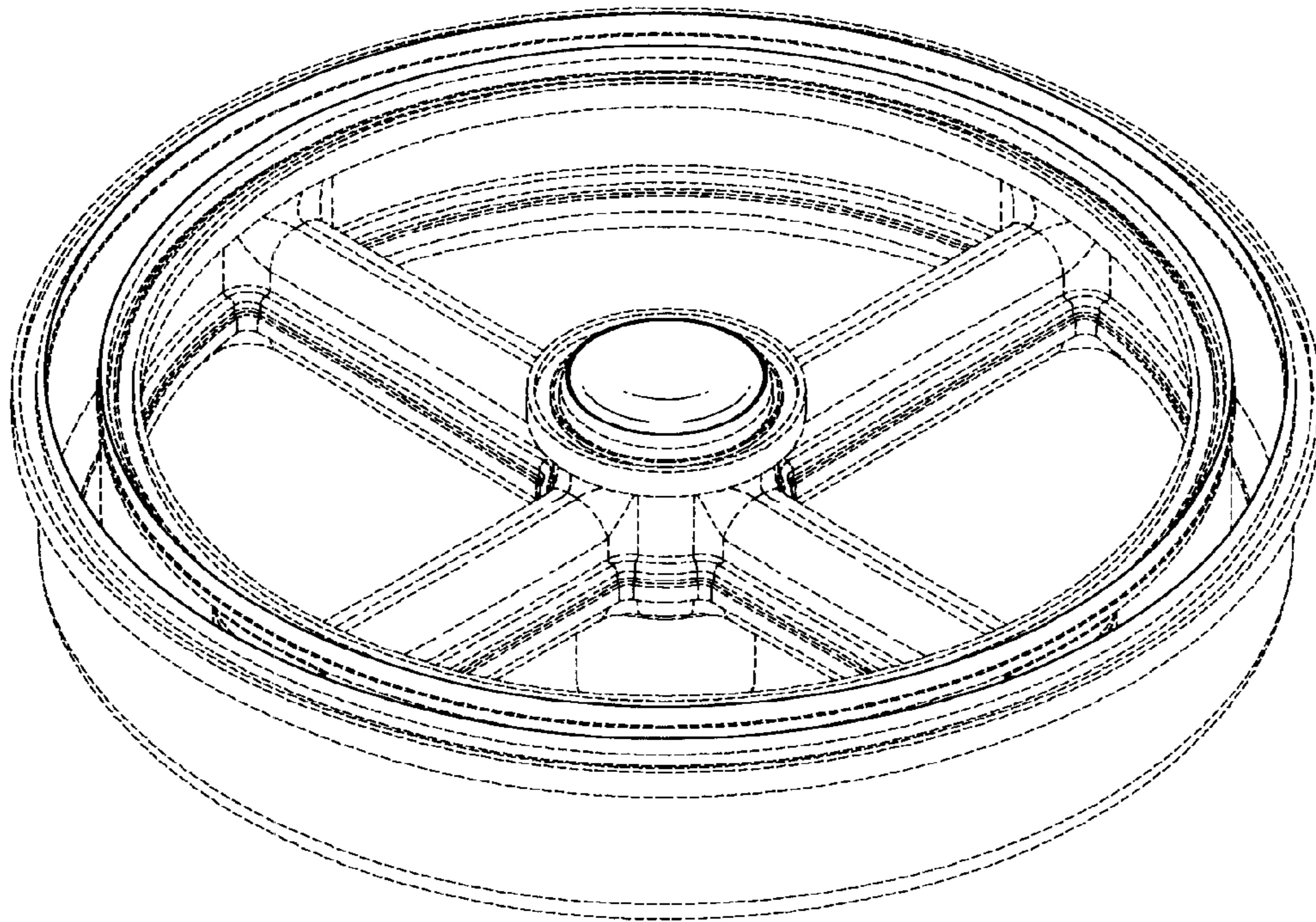


FIG. 1

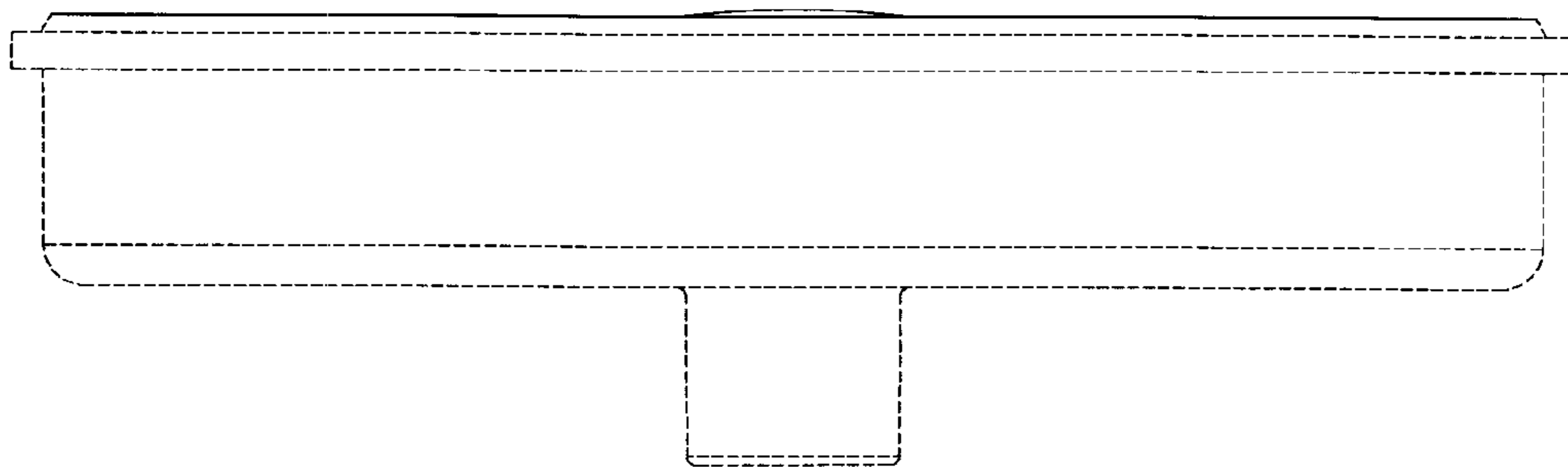


FIG. 2

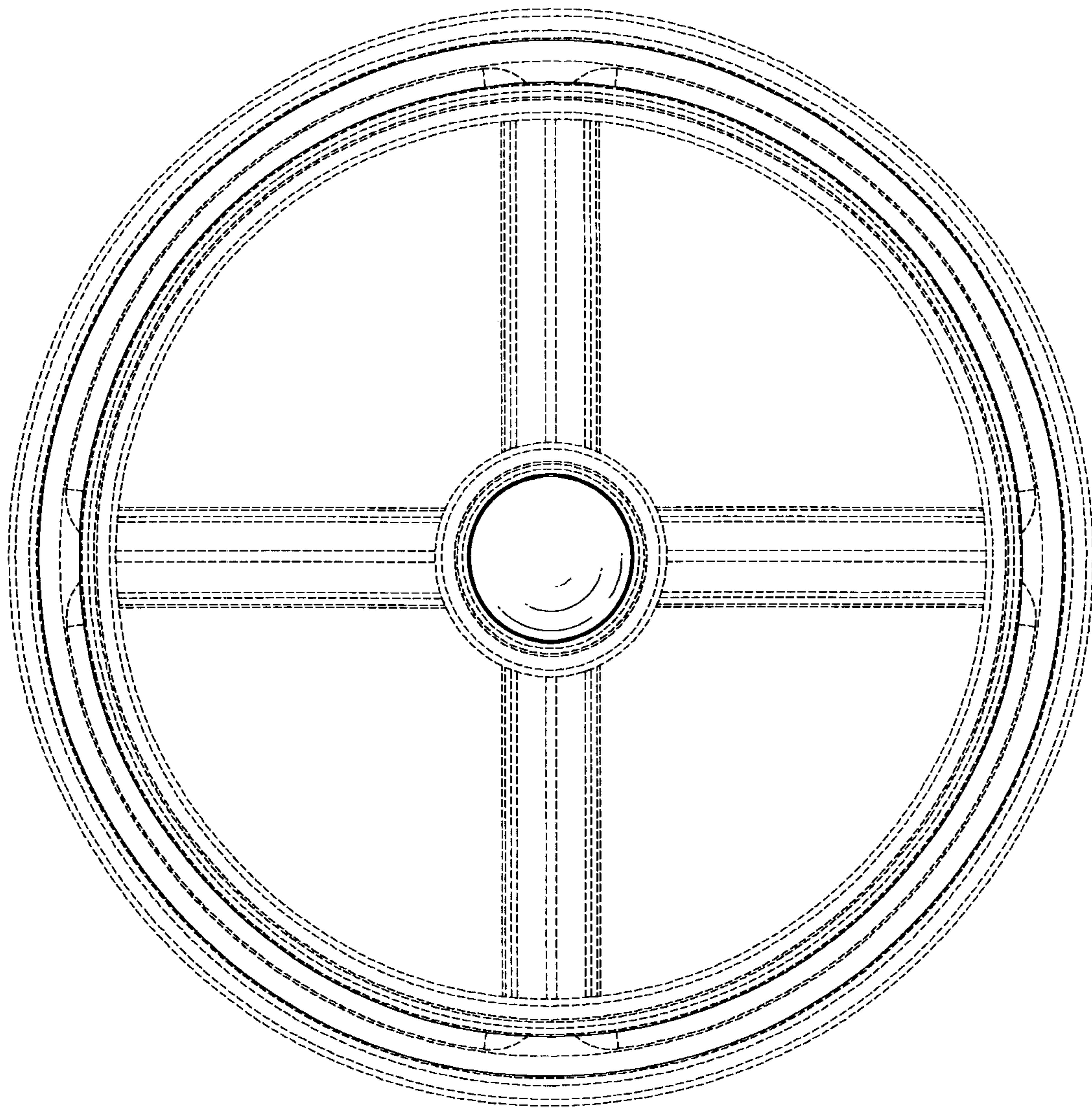


FIG. 3