



US00D701291S

(12) **United States Design Patent**
Weingarten

(10) **Patent No.:** **US D701,291 S**
(45) **Date of Patent:** **** Mar. 18, 2014**

- (54) **AIR RELEASE VALVE**
- (75) Inventor: **Zvi Weingarten**, Evron (IL)
- (73) Assignee: **Bermad CS Ltd.**, Kibbutz Evron (IL)
- (**) Term: **14 Years**
- (21) Appl. No.: **29/397,289**
- (22) Filed: **Jul. 14, 2011**
- (51) **LOC (10) Cl.** **23-01**
- (52) **U.S. Cl.**
USPC **D23/233**
- (58) **Field of Classification Search**
USPC D23/233-237, 244-249; 137/43, 197,
137/202, 209, 433, 409, 411; 251/901
See application file for complete search history.

D674,468 S * 1/2013 Weingarten D23/233
 8,402,994 B2 * 3/2013 Smit 137/391
 2010/0108156 A1 * 5/2010 Katzman 137/202

* cited by examiner

Primary Examiner — Cynthia Ramirez
(74) *Attorney, Agent, or Firm* — Mark M. Friedman

(57) **CLAIM**

The ornamental design for the air release valve, as shown and described.

DESCRIPTION

FIG. 1 is a front view of an air release valve showing my design;
 FIG. 2 is a rear view thereof;
 FIG. 3 is a side view thereof;
 FIG. 4 is a side view thereof;
 FIG. 5 is a top view thereof;
 FIG. 6 is a bottom view thereof; and,
 FIG. 7 is an isometric side view thereof.

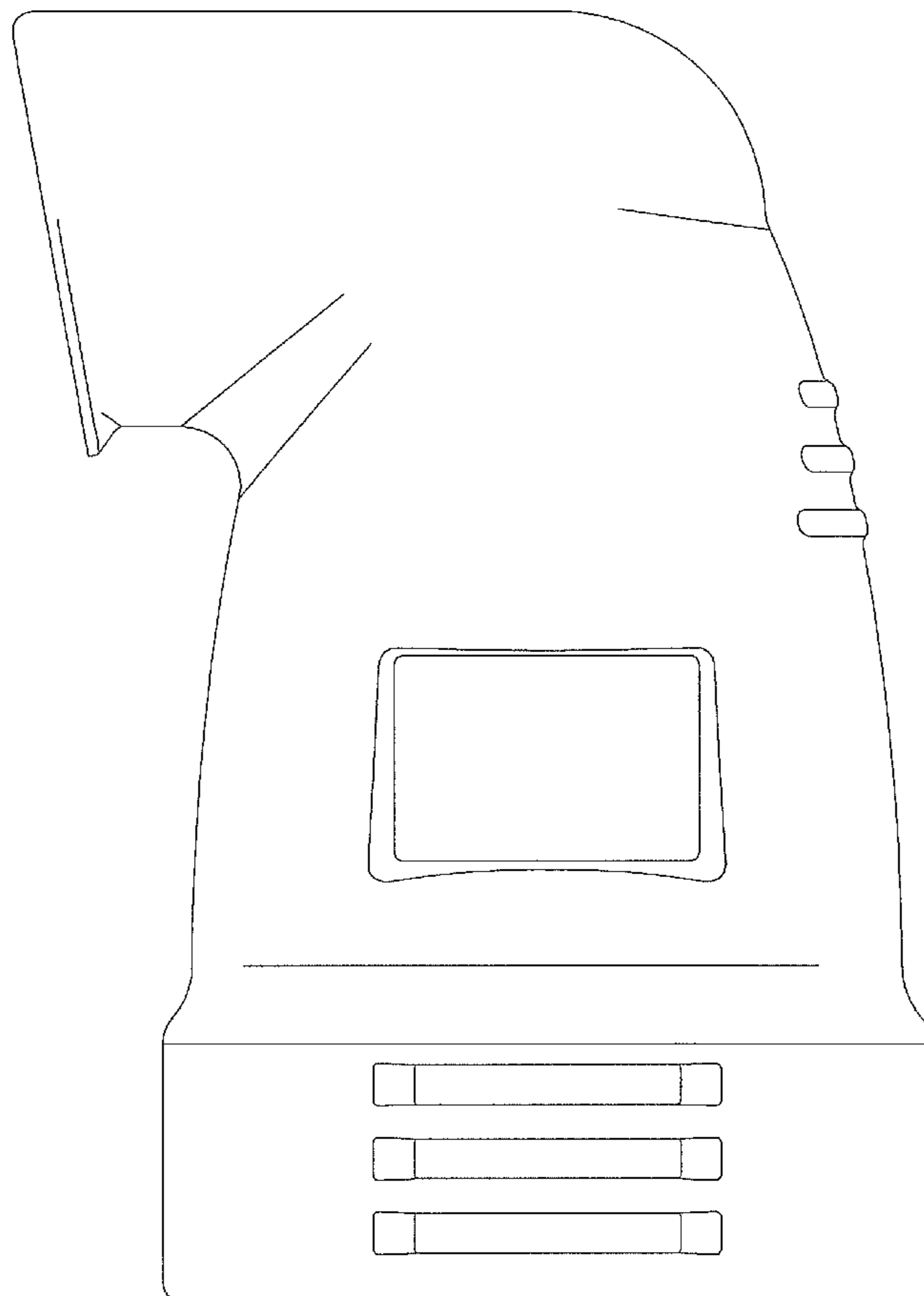
The portions of the air release valve shown in broken lines form no part of the claimed design.

(56) **References Cited**

U.S. PATENT DOCUMENTS

D100,707 S * 8/1936 McCracken D23/235
 5,957,150 A * 9/1999 Perkins 137/202
 D538,890 S * 3/2007 Park D23/233
 D674,467 S * 1/2013 Weingarten D23/233

1 Claim, 7 Drawing Sheets



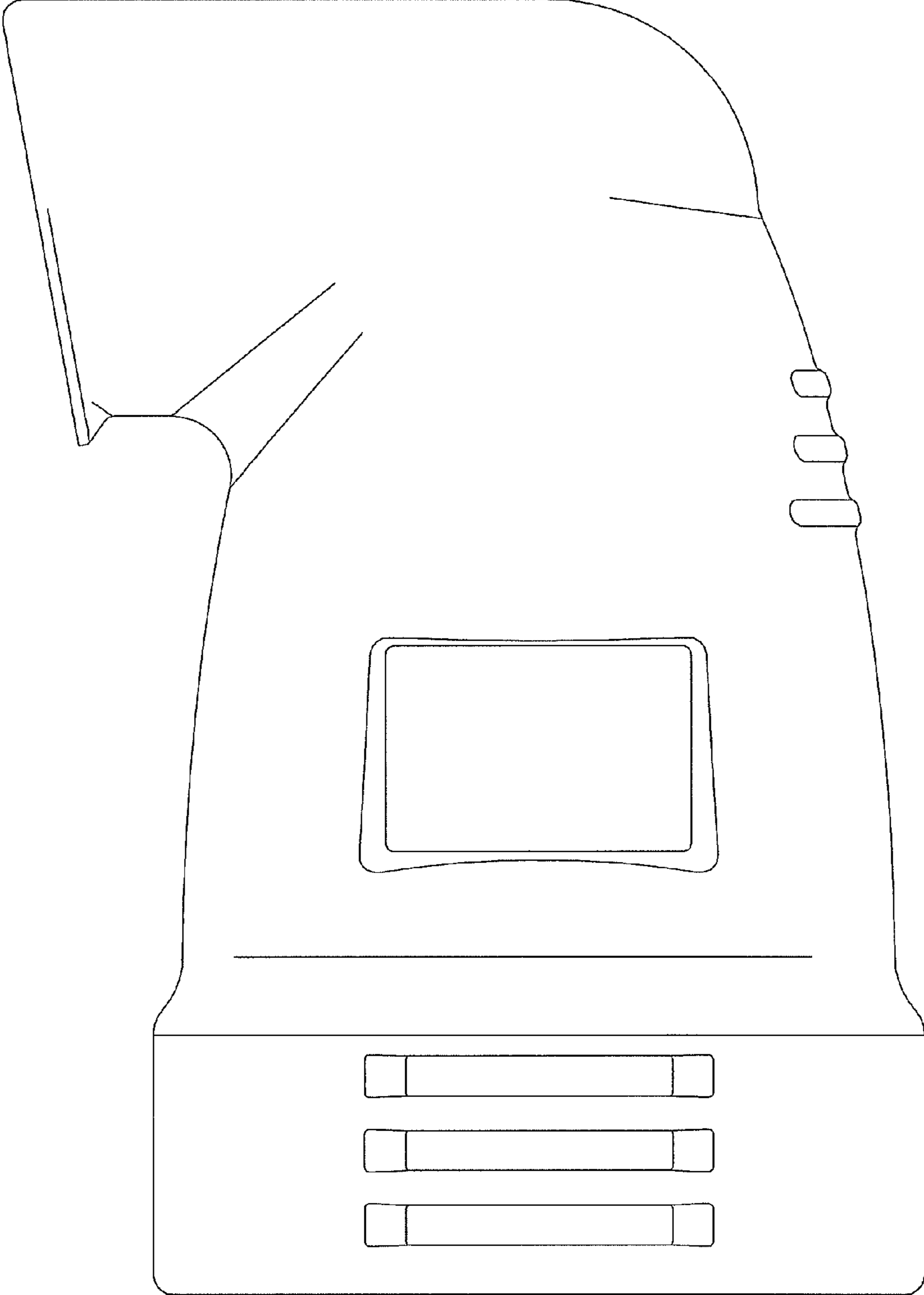


FIG 1

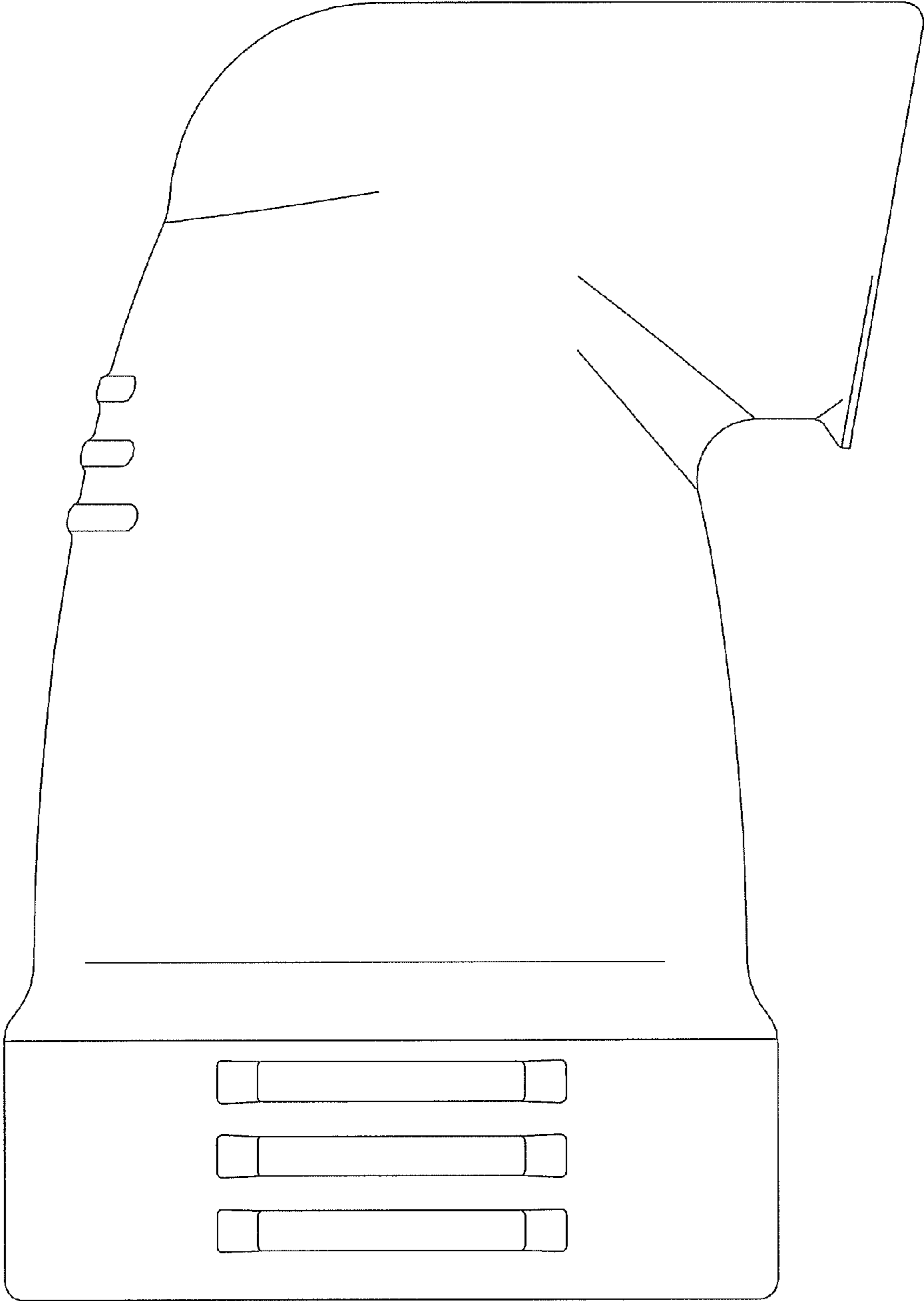


FIG 2

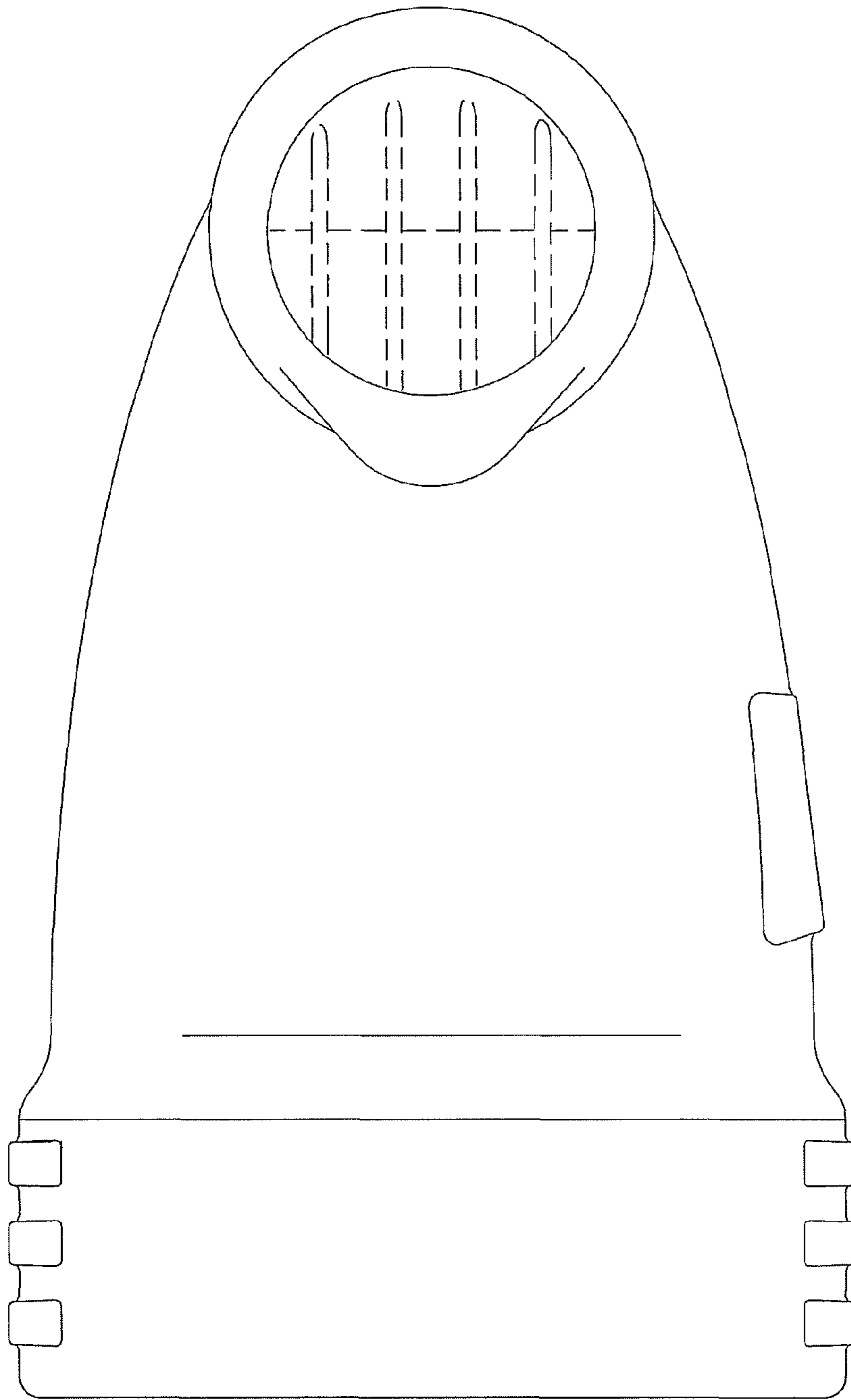


FIG 3

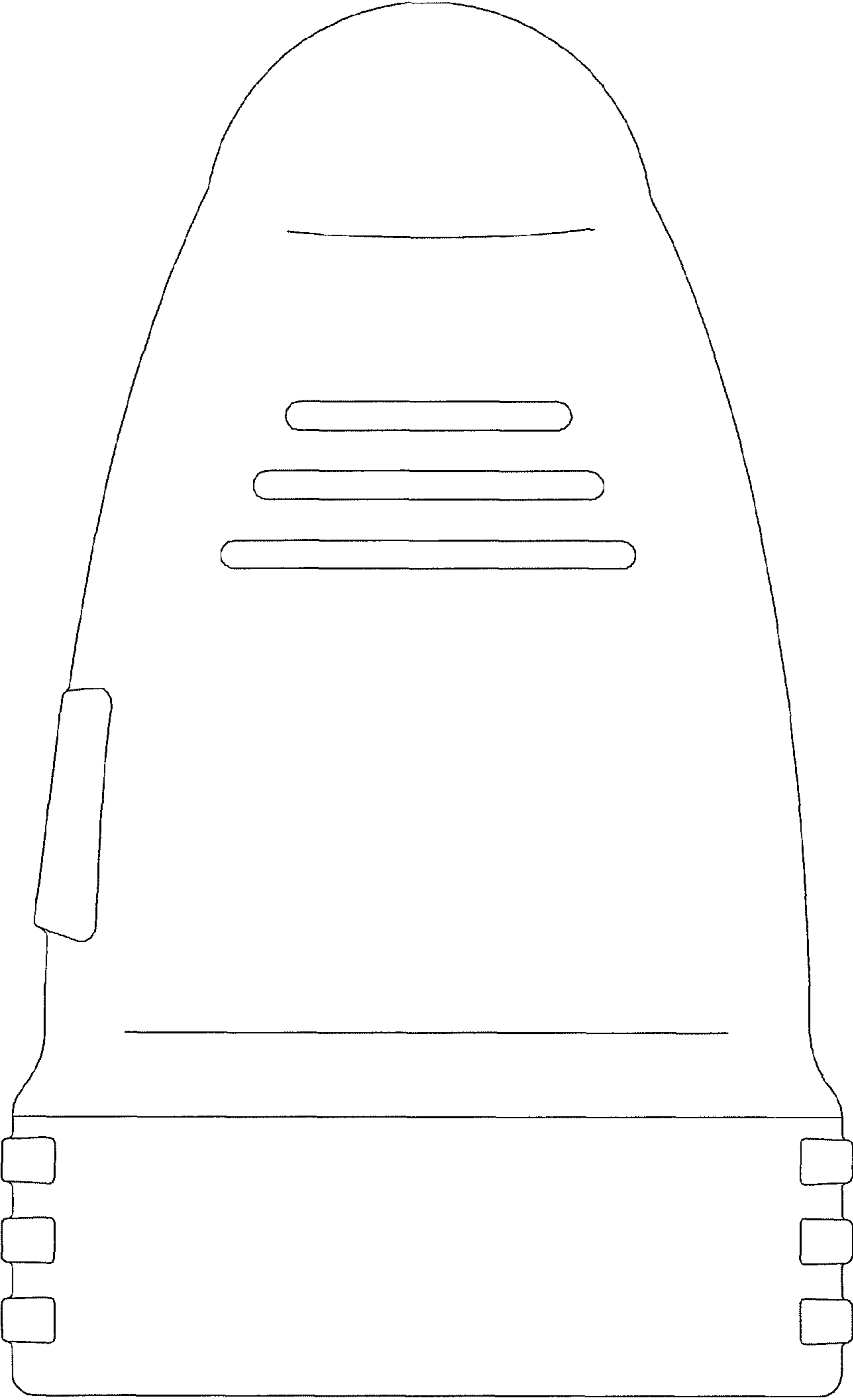


FIG 4

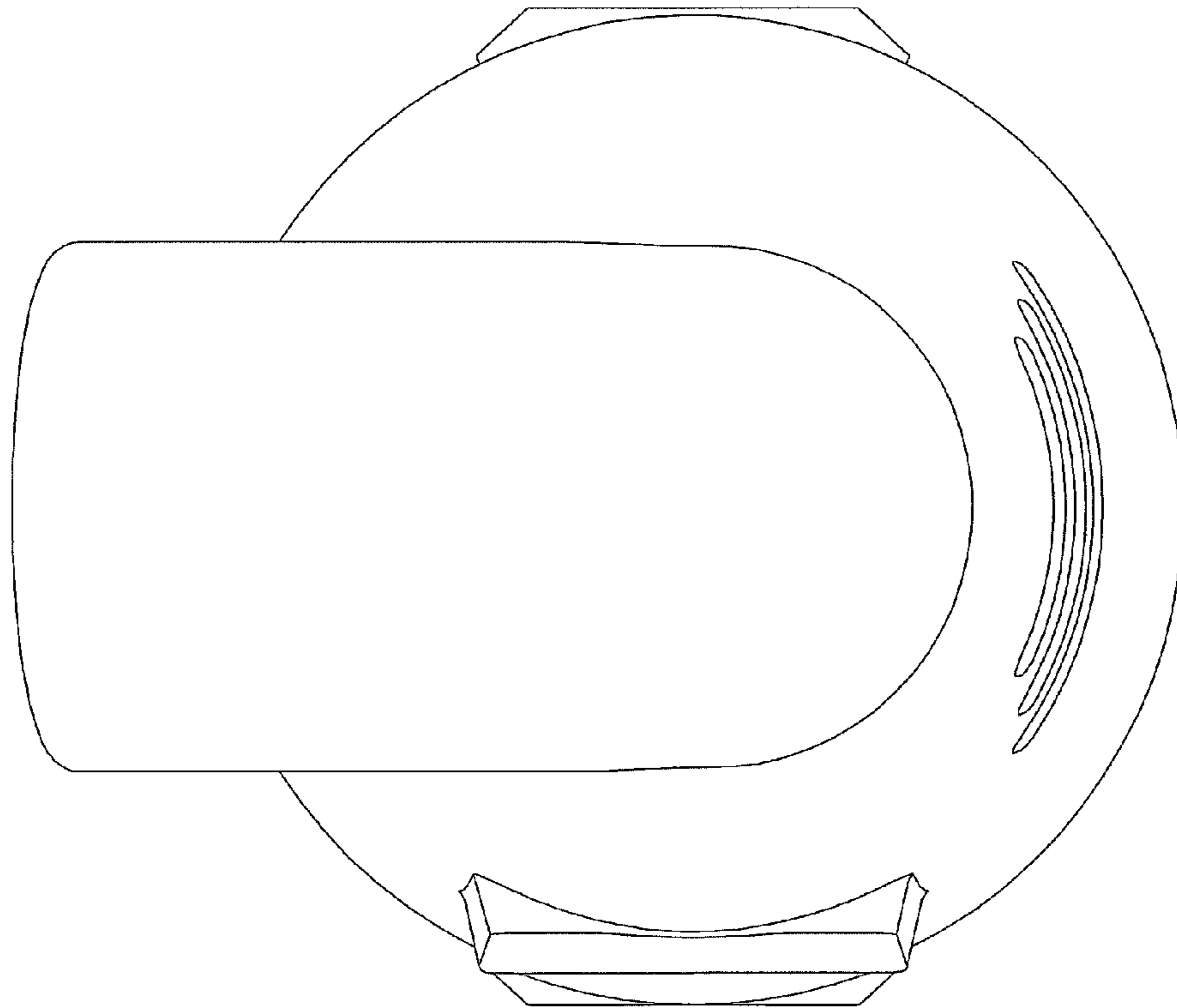


FIG 5

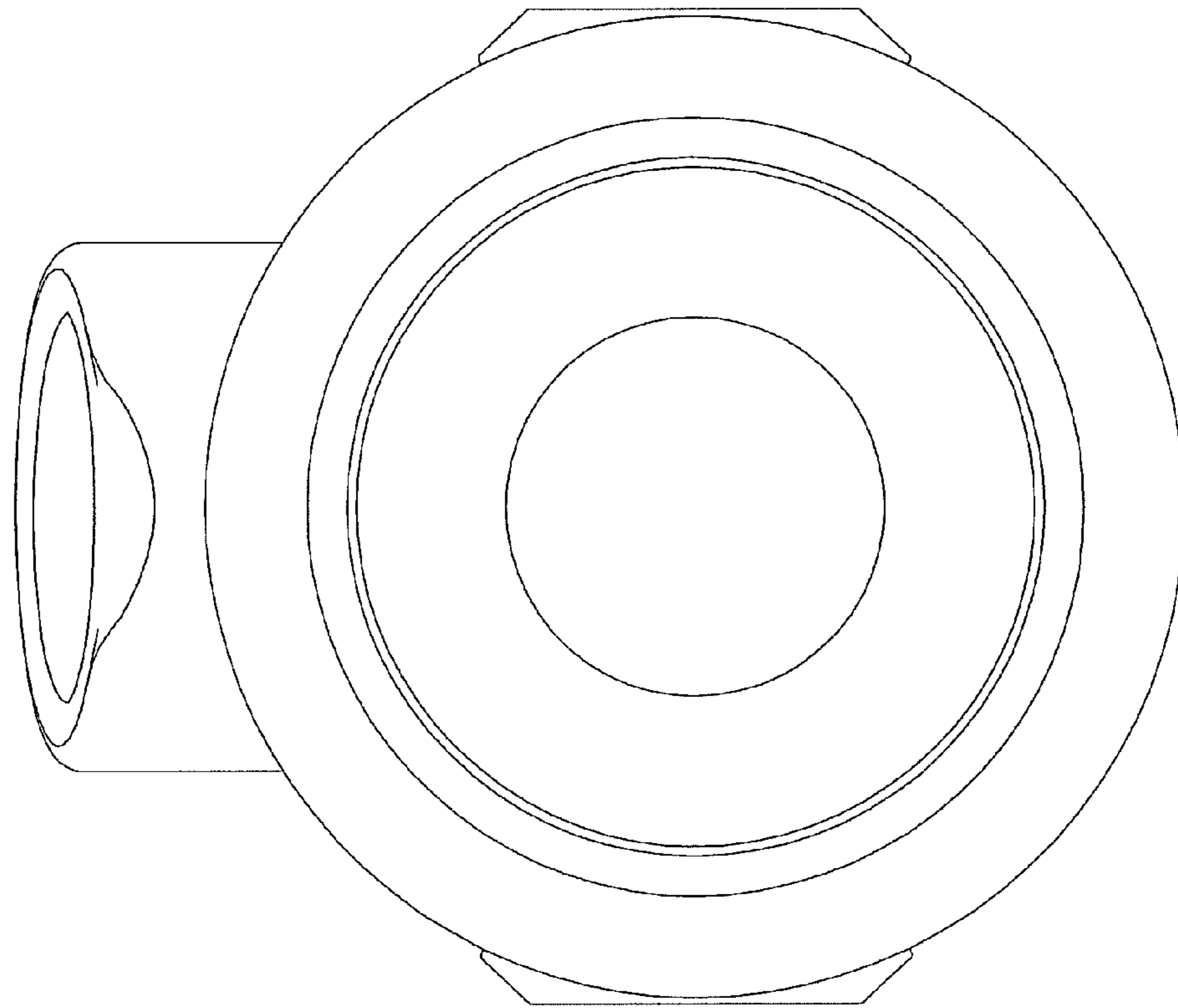


FIG 6

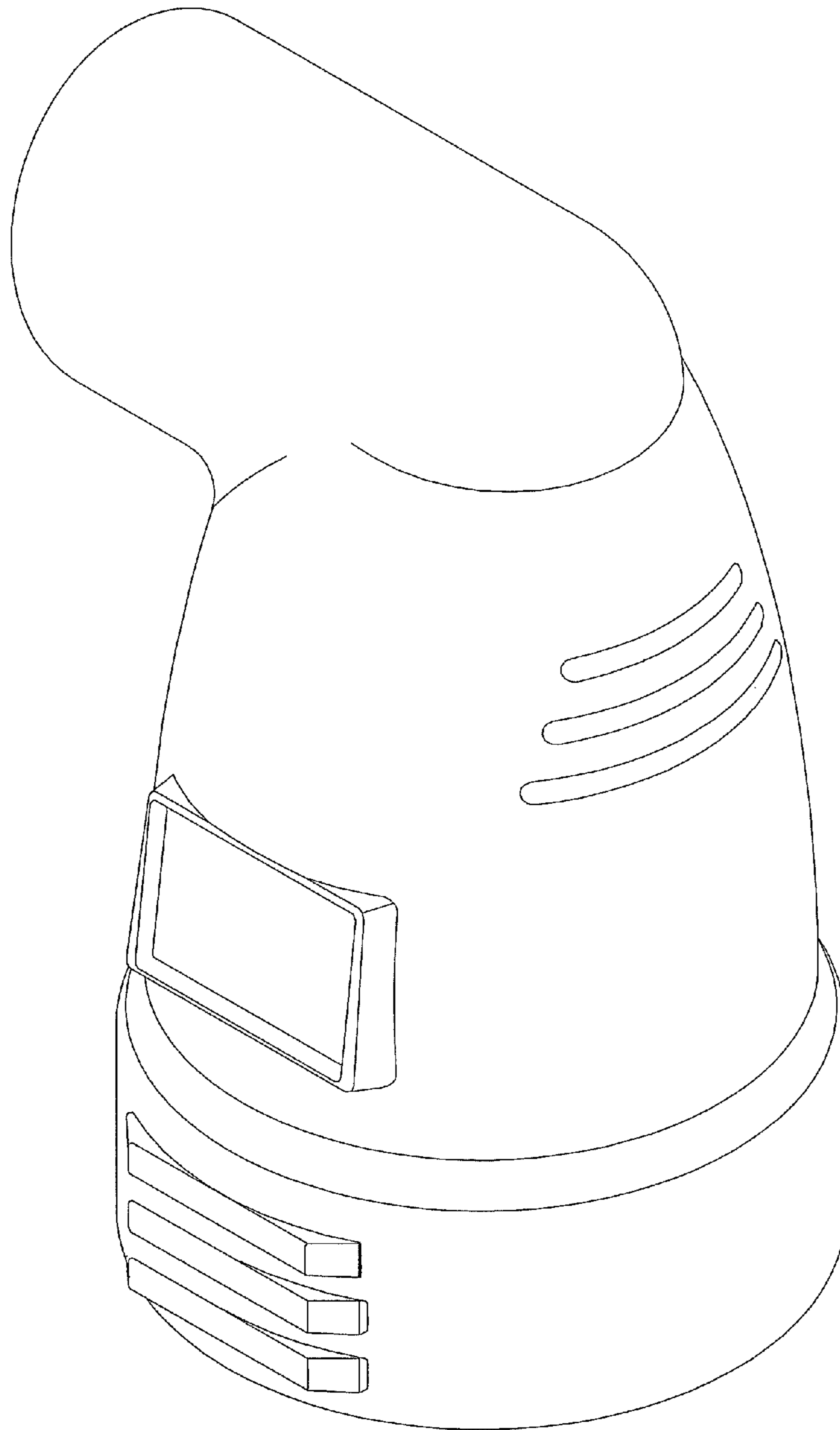


FIG 7