



US00D701286S

(12) **United States Design Patent**
Sandvold et al.

(10) **Patent No.:** **US D701,286 S**
(45) **Date of Patent:** **** Mar. 18, 2014**

(54) **CONTAINER**

(75) Inventors: **Pål Sandvold**, Kapp (NO); **Per Vidar Hamnvik**, Gjøvik (NO)

(73) Assignee: **Ragasco AS**, Raufoss (NO)

(**) Term: **14 Years**

(21) Appl. No.: **29/427,073**

(22) Filed: **Jul. 13, 2012**

(51) **LOC (10) Cl.** **D23-01**

(52) **U.S. Cl.**

USPC **D23/202**; D23/209

(58) **Field of Classification Search**

USPC D23/202, 209; 220/565, 560.01,
220/560.04, 905, 4.12, 4.14, 581, 582

See application file for complete search history.

(56) **References Cited**

U.S. PATENT DOCUMENTS

2,541,065	A *	2/1951	Jabour	220/581
3,066,822	A *	12/1962	Watter	220/581
3,765,557	A *	10/1973	Giwer	220/590
7,735,506	B2 *	6/2010	Horton et al.	137/1
D621,471	S *	8/2010	Bock	D23/202
8,162,167	B2 *	4/2012	Da Silva et al.	220/560.04

* cited by examiner

Primary Examiner — Robin V Webster

(74) *Attorney, Agent, or Firm* — Wong, Cabello, Lutsch, Rutherford & Brucculeri, LLP

(57) **CLAIM**

The ornamental design for a container, as shown and described.

DESCRIPTION

FIG. 1 is an elevational view of one side of a container showing our new design, wherein the container has a cylinder and two protective end caps.

FIG. 2 is an elevational view of an opposite side of the container, wherein all other sides of the container are the same.

FIG. 3 is a perspective view of one end of the container.

FIG. 4 is a perspective view of an opposite end of the container.

FIG. 5 is an end view of the container, wherein the opposite end view of the container is the same.

FIG. 6 is a top view of the end cap of the container wherein the other end cap is the same and shown separately for ease of illustration;

FIG. 7 is a bottom view thereof;

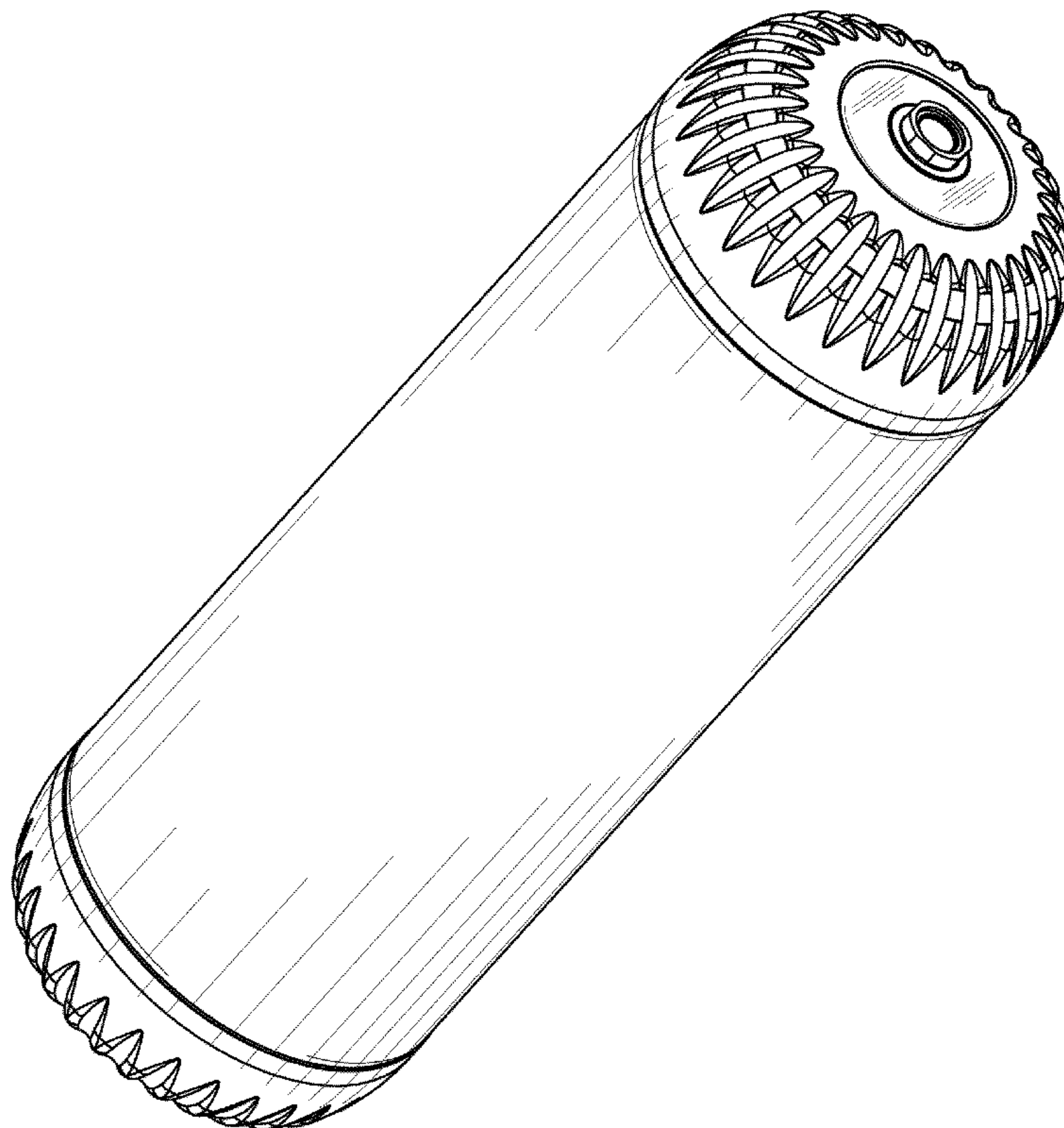
FIG. 8 is a side view thereof;

FIG. 9 is the opposite side view thereof;

FIG. 10 is a top perspective view thereof; and,

FIG. 11 is a bottom perspective view thereof.

1 Claim, 4 Drawing Sheets



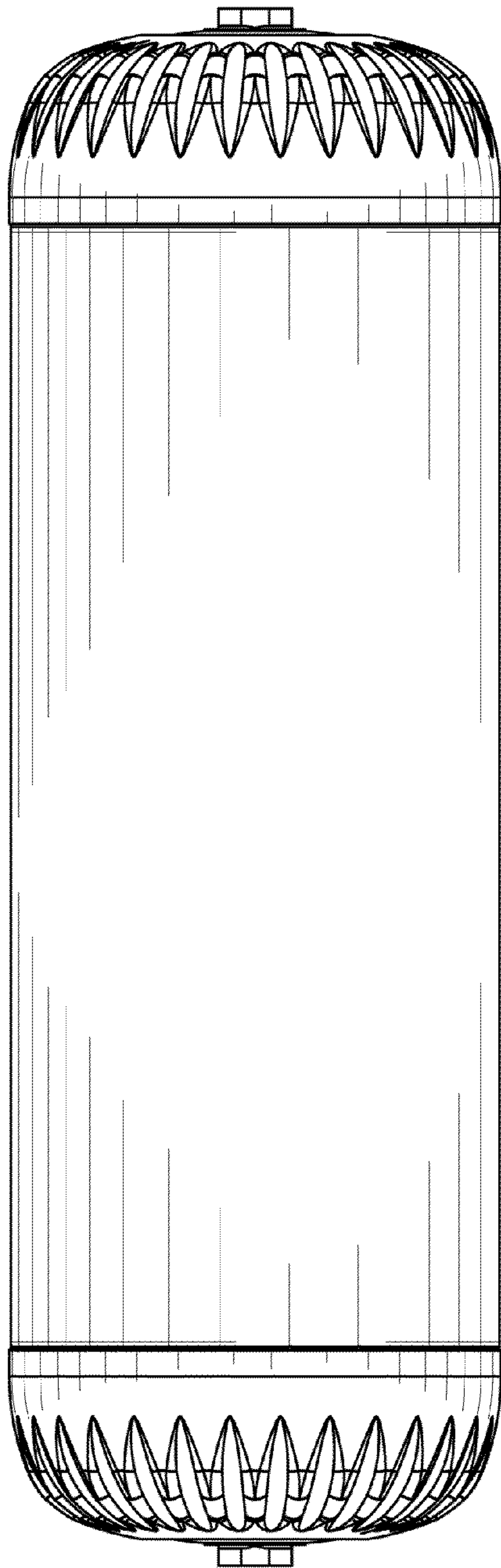


FIG. 1



FIG. 2

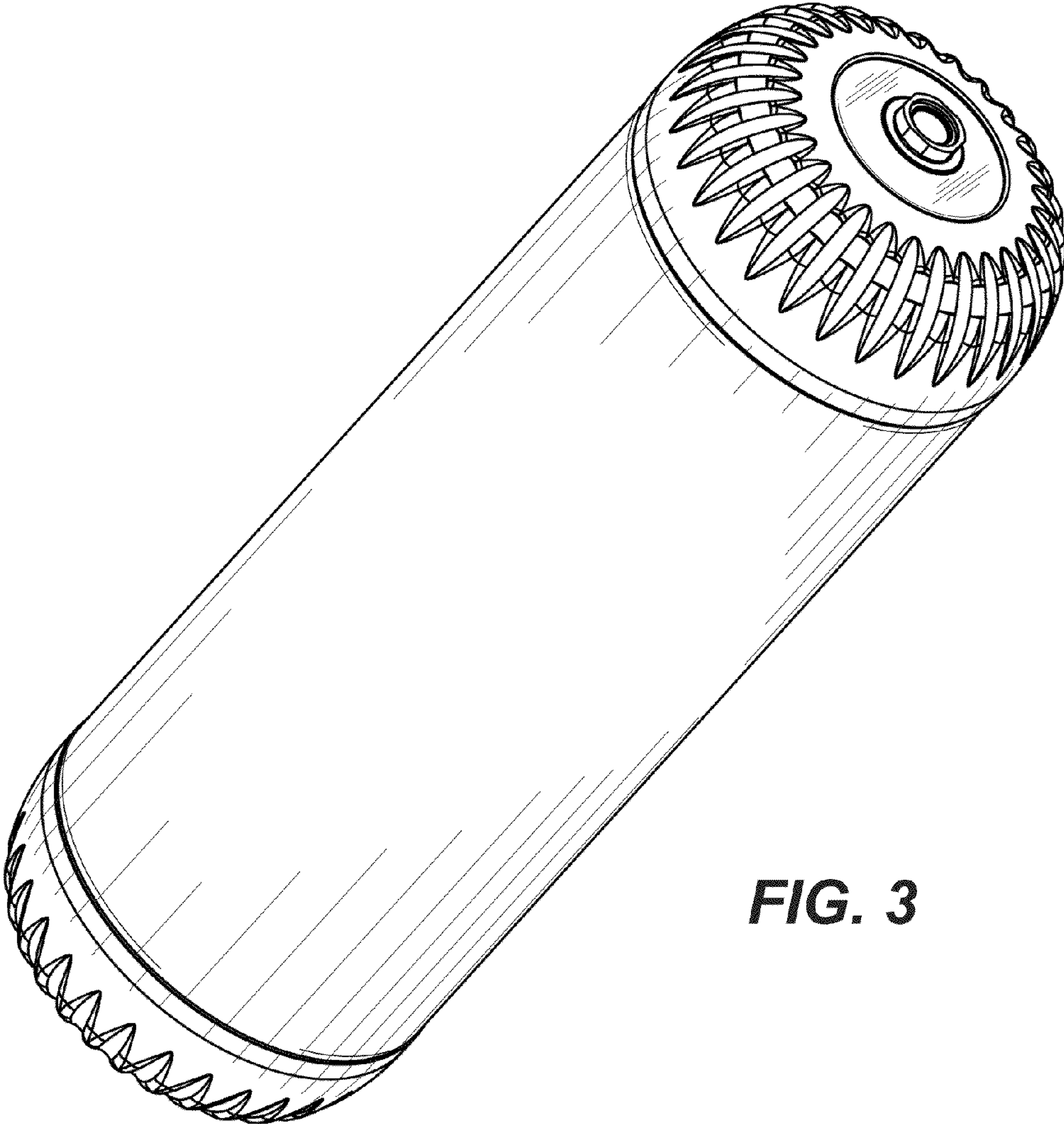


FIG. 3

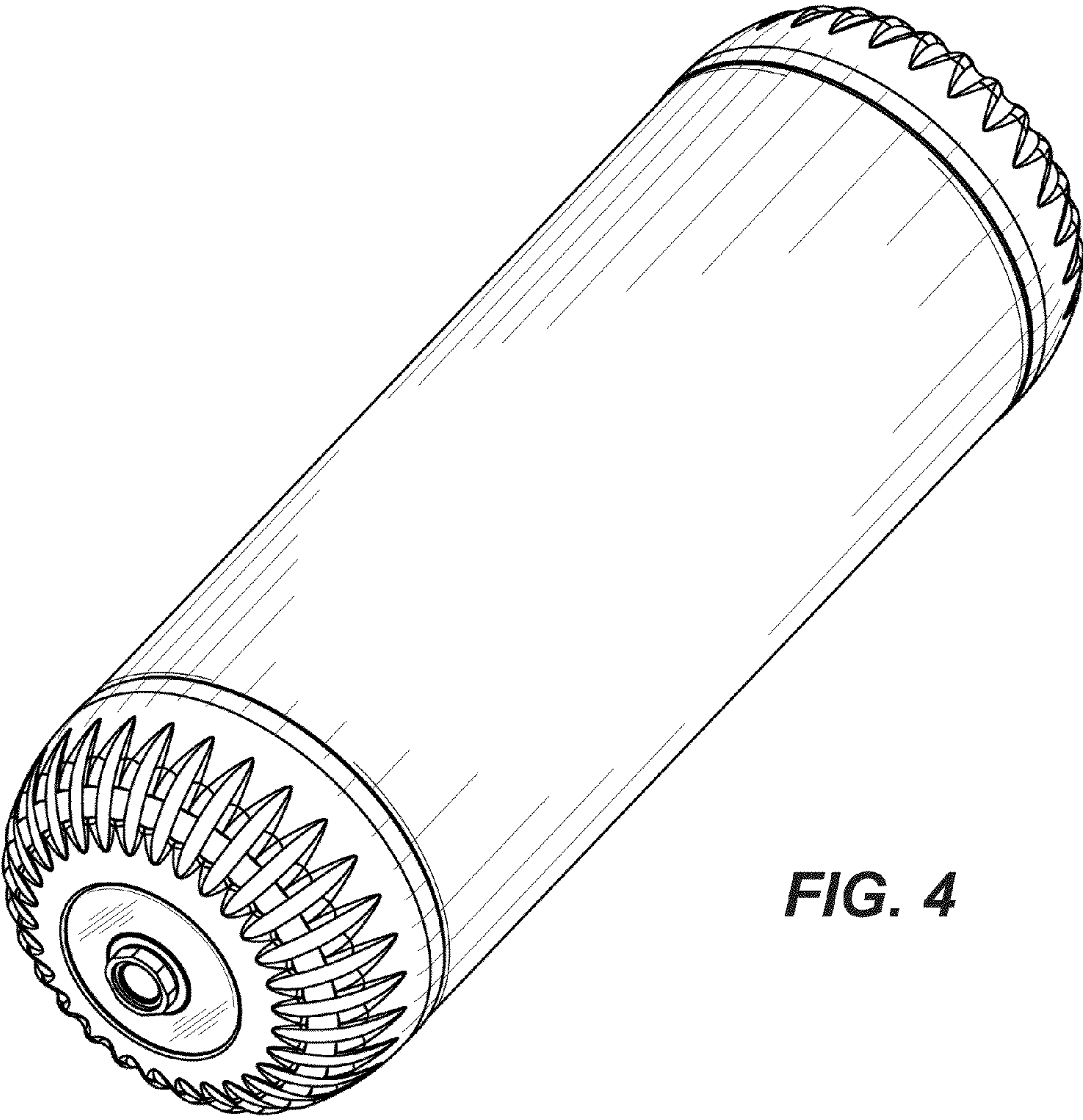


FIG. 4

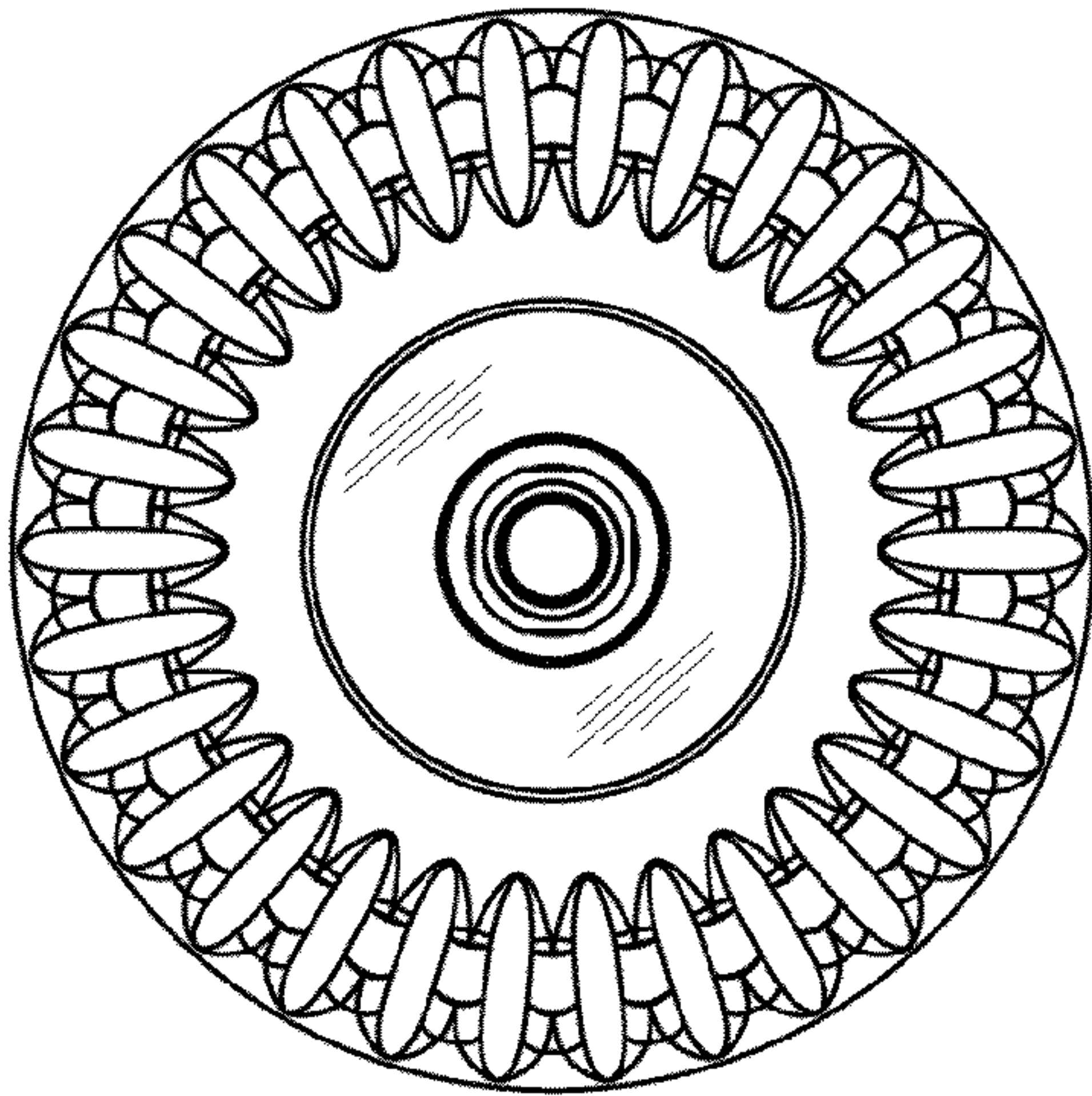


FIG. 5

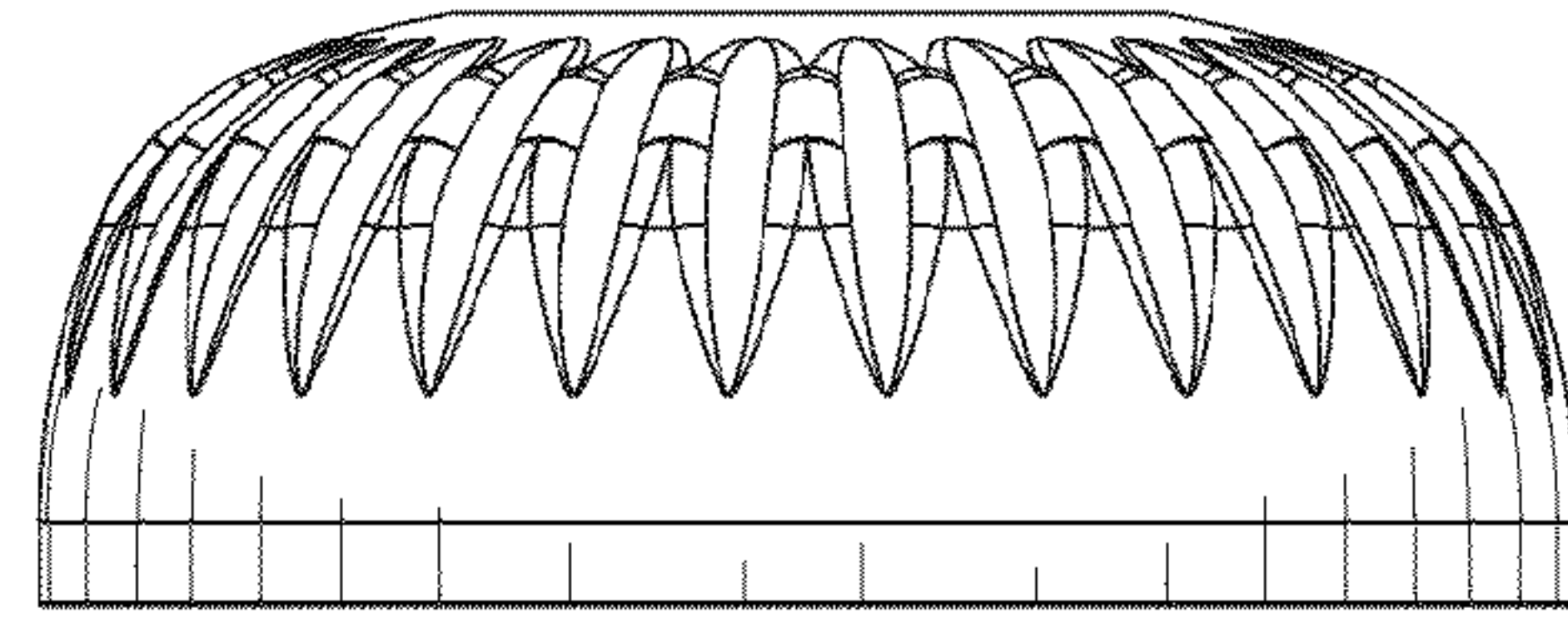


FIG. 8

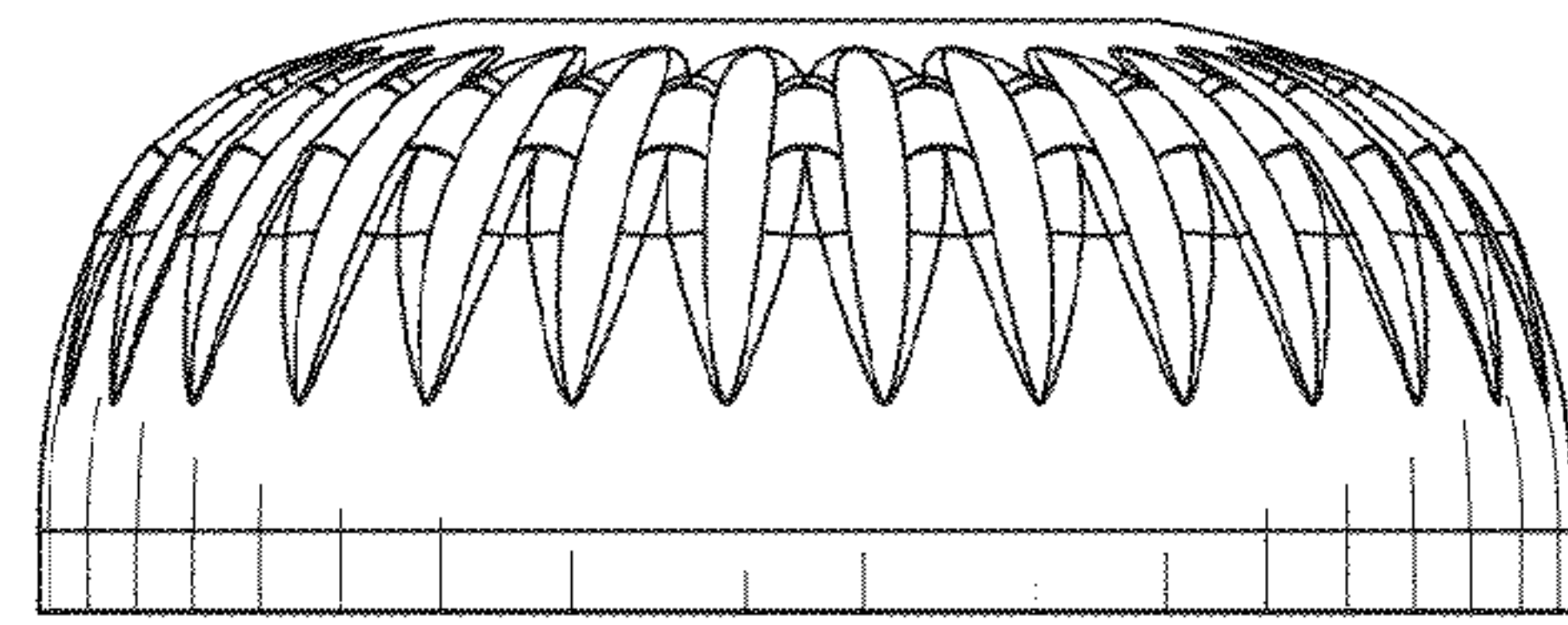


FIG. 9

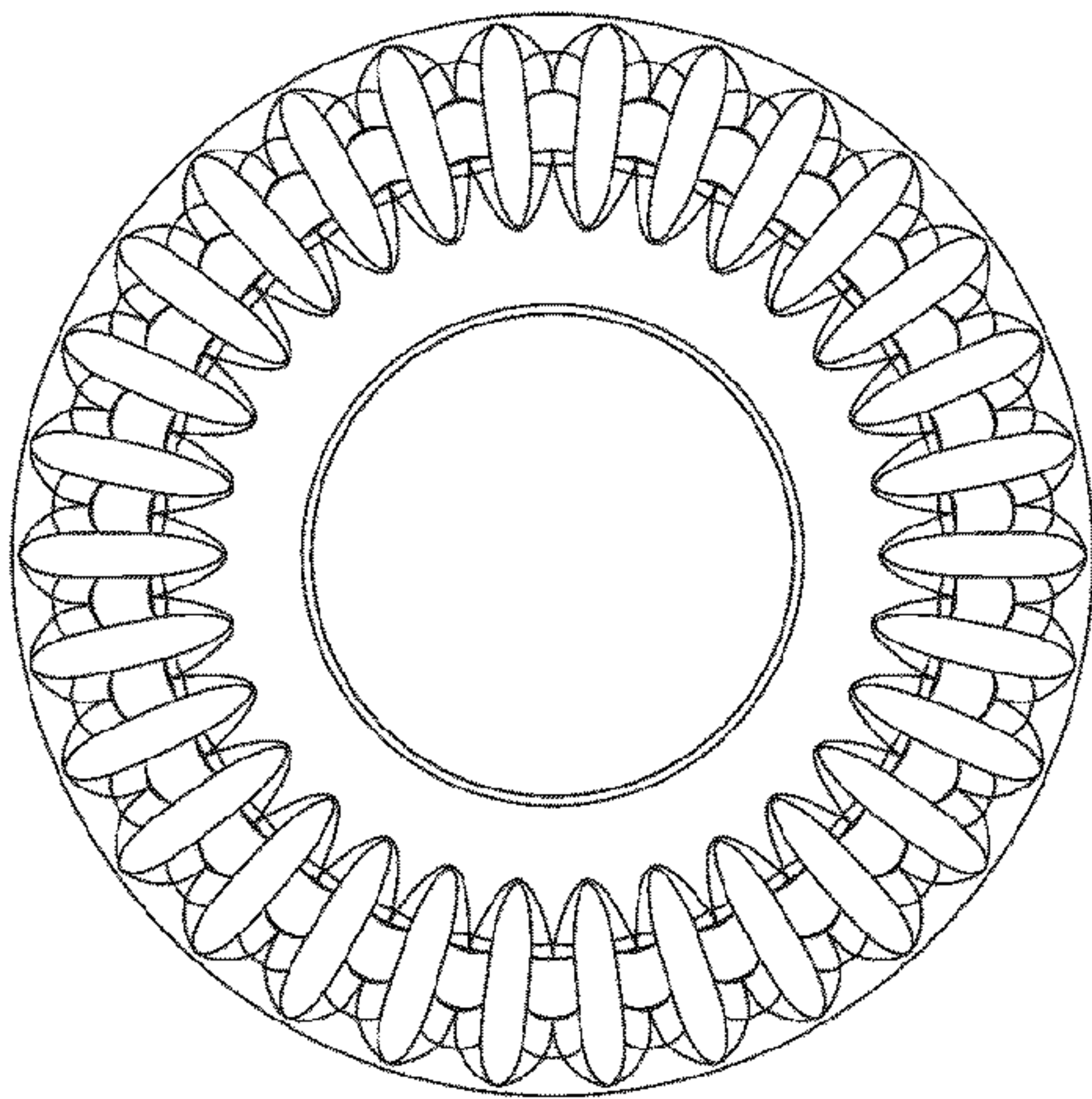


FIG. 6

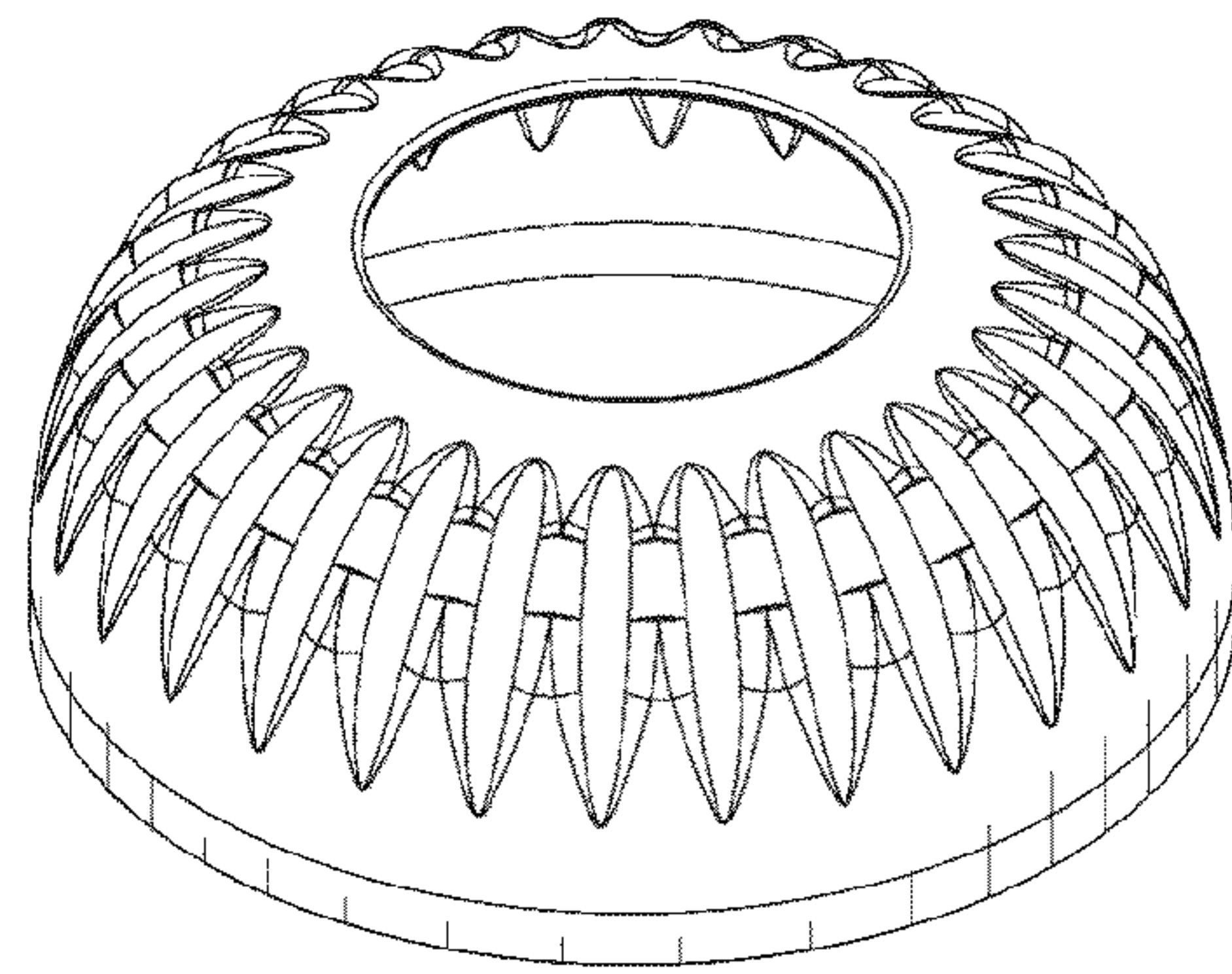


FIG. 10

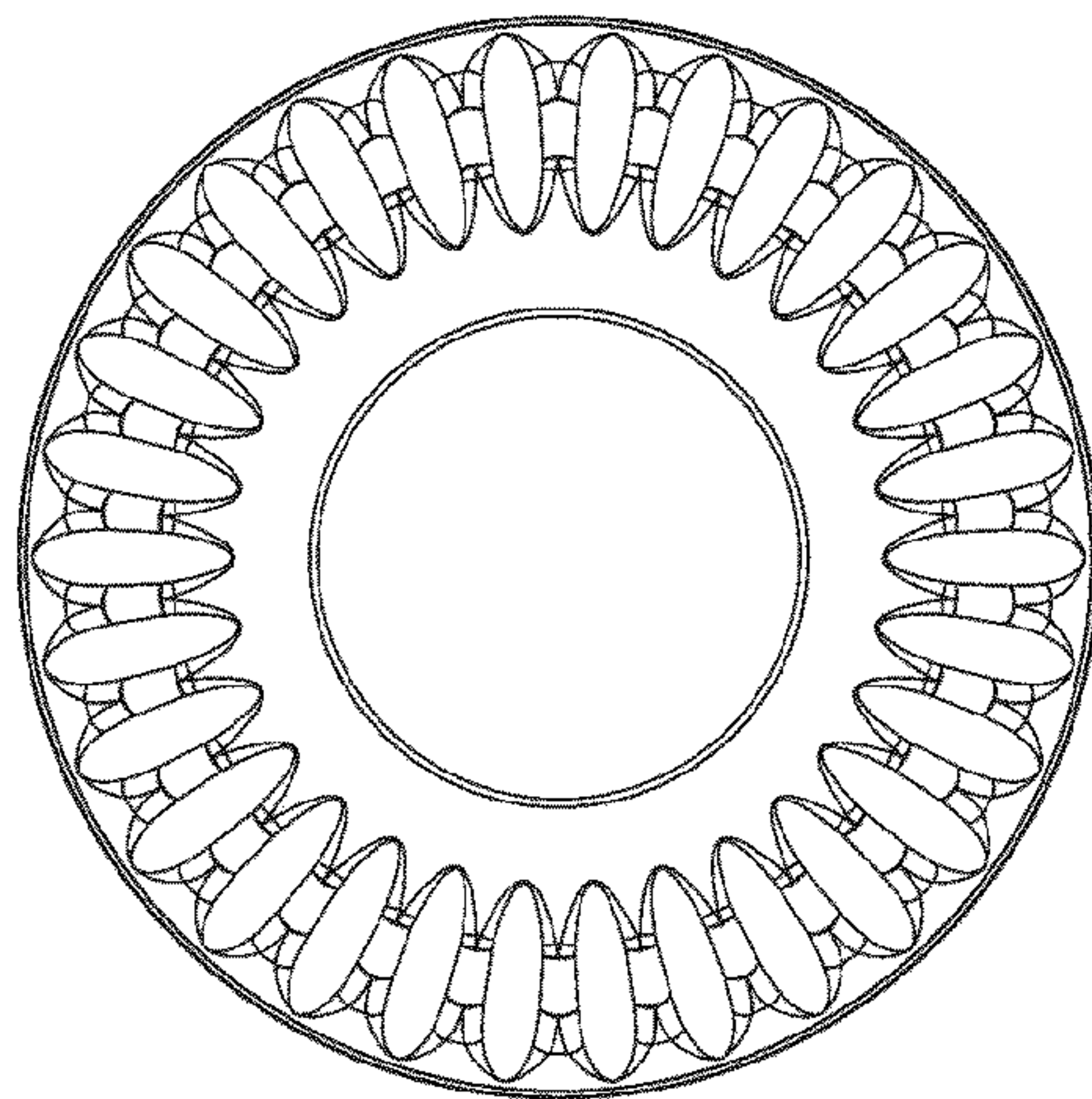


FIG. 7

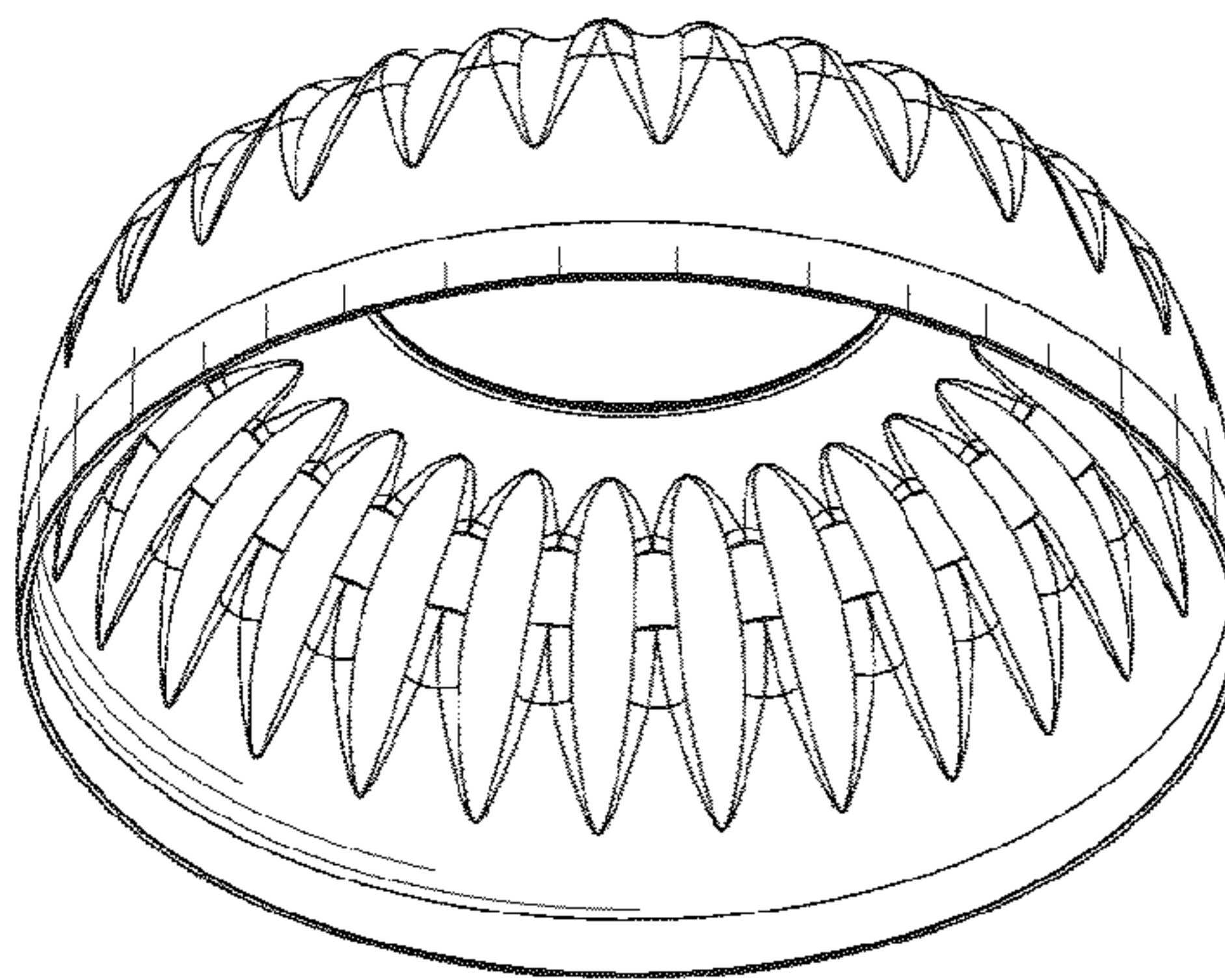


FIG. 11

UNITED STATES PATENT AND TRADEMARK OFFICE
CERTIFICATE OF CORRECTION

PATENT NO. : D701,286 S
APPLICATION NO. : 29/427073
DATED : March 18, 2014
INVENTOR(S) : Sandvold et al.

Page 1 of 1

It is certified that error appears in the above-identified patent and that said Letters Patent is hereby corrected as shown below:

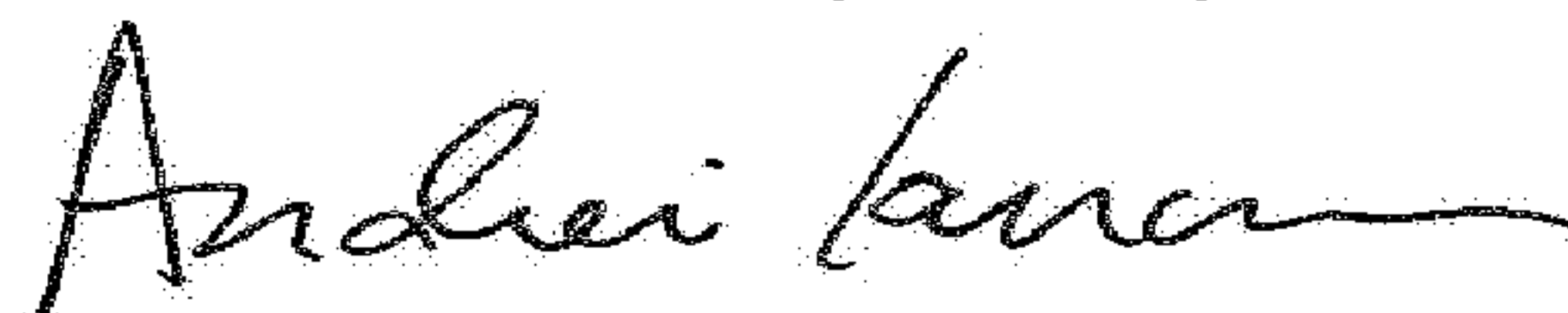
On the Title Page

Insert:

--Foreign Application Priority Data

January 13, 2012 (NO).....20120021--

Signed and Sealed this
Seventeenth Day of July, 2018



Andrei Iancu

Director of the United States Patent and Trademark Office