

US00D701282S

(12) **United States Design Patent**  
**Ferguson, II et al.**

(10) **Patent No.:** **US D701,282 S**  
(45) **Date of Patent:** **\*\* Mar. 18, 2014**

(54) **SMALL CALIBER FIREARM SAFETY PLUG**

(71) Applicants: **Richard Timothy Ferguson, II**,  
Russellville, KY (US); **Richard Timothy Ferguson**, Franklin, KY (US)

(72) Inventors: **Richard Timothy Ferguson, II**,  
Russellville, KY (US); **Richard Timothy Ferguson**, Franklin, KY (US)

(\*\*) Term: **14 Years**

(21) Appl. No.: **29/435,593**

(22) Filed: **Oct. 25, 2012**

(51) **LOC (10) Cl.** ..... **22-01**

(52) **U.S. Cl.**  
USPC ..... **D22/108**

(58) **Field of Classification Search**  
USPC ..... D22/108; 42/44, 66, 70.02, 70.06,  
42/70.07, 70.11, 150; 70/58, 63, 202, 211,  
70/312

See application file for complete search history.

(56) **References Cited**

**U.S. PATENT DOCUMENTS**

3,378,943	A	4/1968	Valburg	
4,603,498	A	8/1986	Johnson	
4,835,894	A *	6/1989	Libassi	42/70.11
4,896,447	A	1/1990	Badoni	
4,965,952	A *	10/1990	Miller et al.	42/1.05
5,010,674	A	4/1991	Horton	
5,033,218	A	7/1991	Nelson	

5,097,613	A *	3/1992	Miller et al.	42/70.01
5,311,691	A *	5/1994	Cacek	42/1.01
6,250,008	B1 *	6/2001	Silver	42/70.01
D445,475	S	7/2001	Spear	
6,408,556	B1	6/2002	Achee et al.	
6,470,615	B1	10/2002	Peterken	
6,675,520	B2	1/2004	Burigana	
7,266,921	B2	9/2007	McClellan	
D576,701	S	9/2008	Nichols	
D620,996	S *	8/2010	DiGiuseppe et al.	D22/108

\* cited by examiner

*Primary Examiner* — Michael A Pratt

(74) *Attorney, Agent, or Firm* — Laura M. Hagan; Kerrick Stivers Coyle PLC

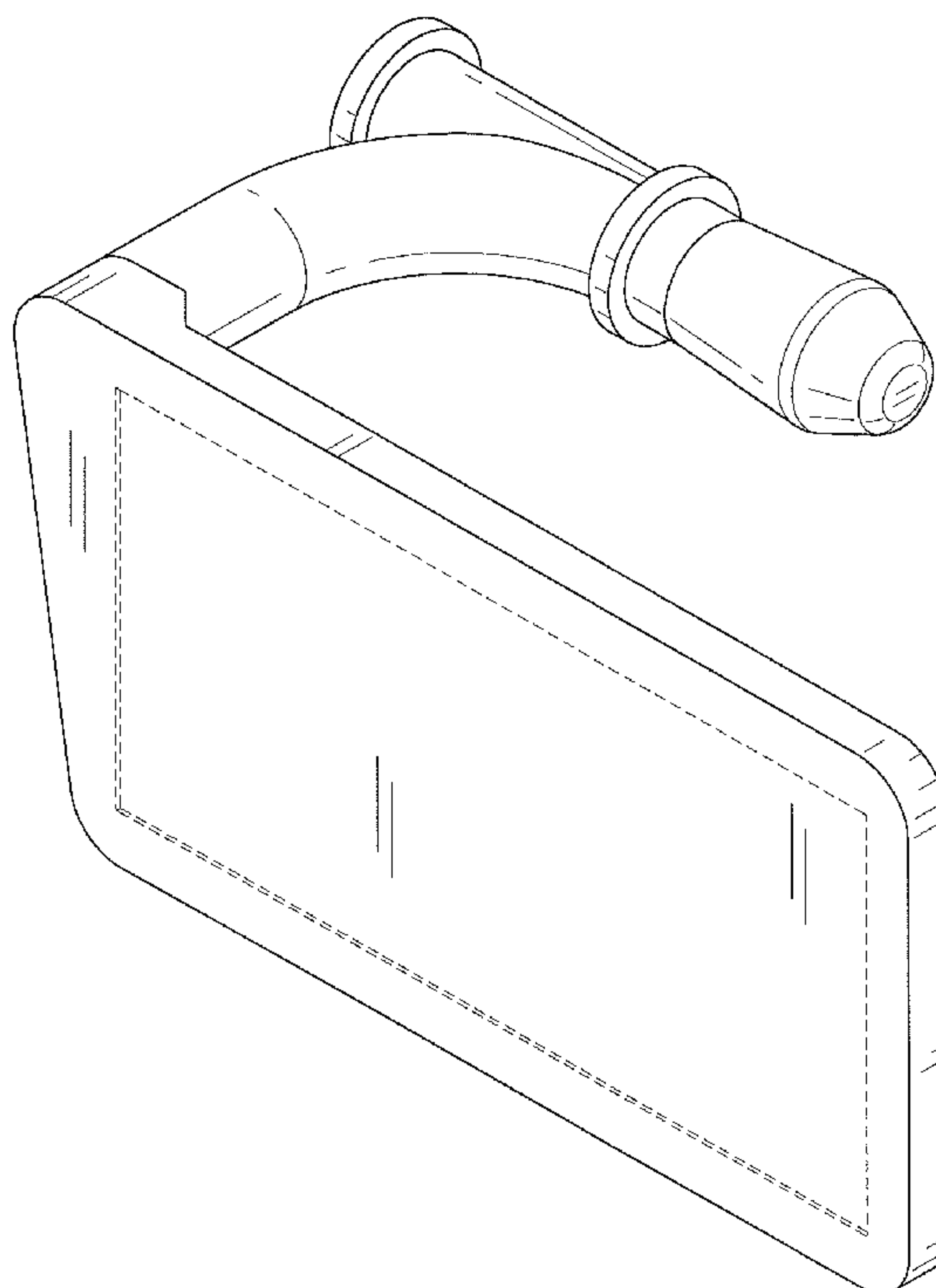
(57) **CLAIM**

We claim the ornamental design for a small caliber firearm safety plug, as shown and described.

**DESCRIPTION**

FIG. 1 is a perspective view of the small caliber firearm safety plug, showing our new design;  
FIG. 2 is another perspective view thereof;  
FIG. 3 is a front plan view thereof;  
FIG. 4 is a rear plan view thereof;  
FIG. 5 is a left side plan view thereof;  
FIG. 6 is the right side plan view thereof;  
FIG. 7 is a top plan view thereof; and,  
FIG. 8 is a bottom plan view thereof.  
The broken line showing of aspects of the claimed design in FIGS. 1 and 3 is included for the purpose of illustrating environment and forms no part of the claimed design.

**1 Claim, 8 Drawing Sheets**



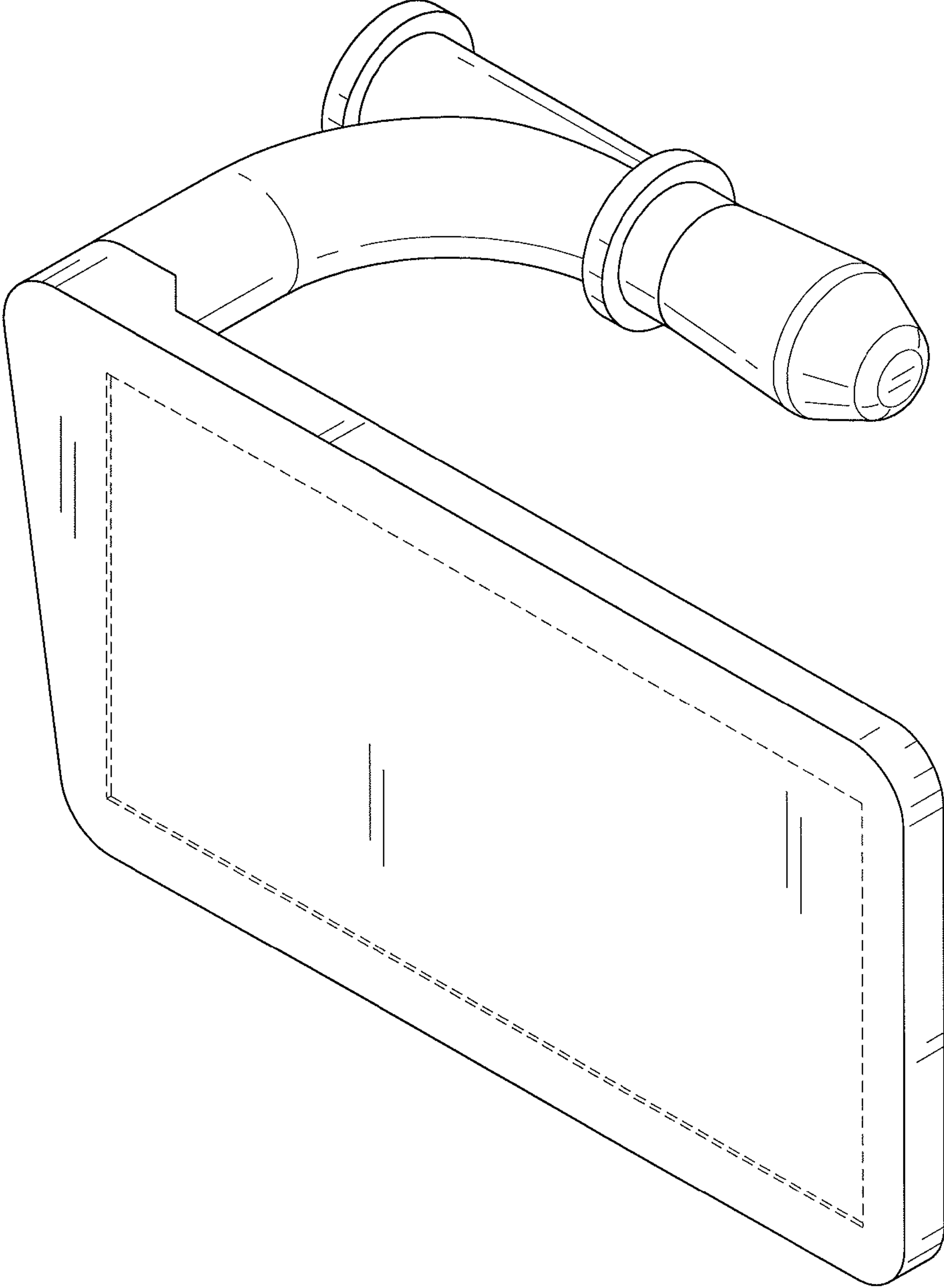


FIG. 1

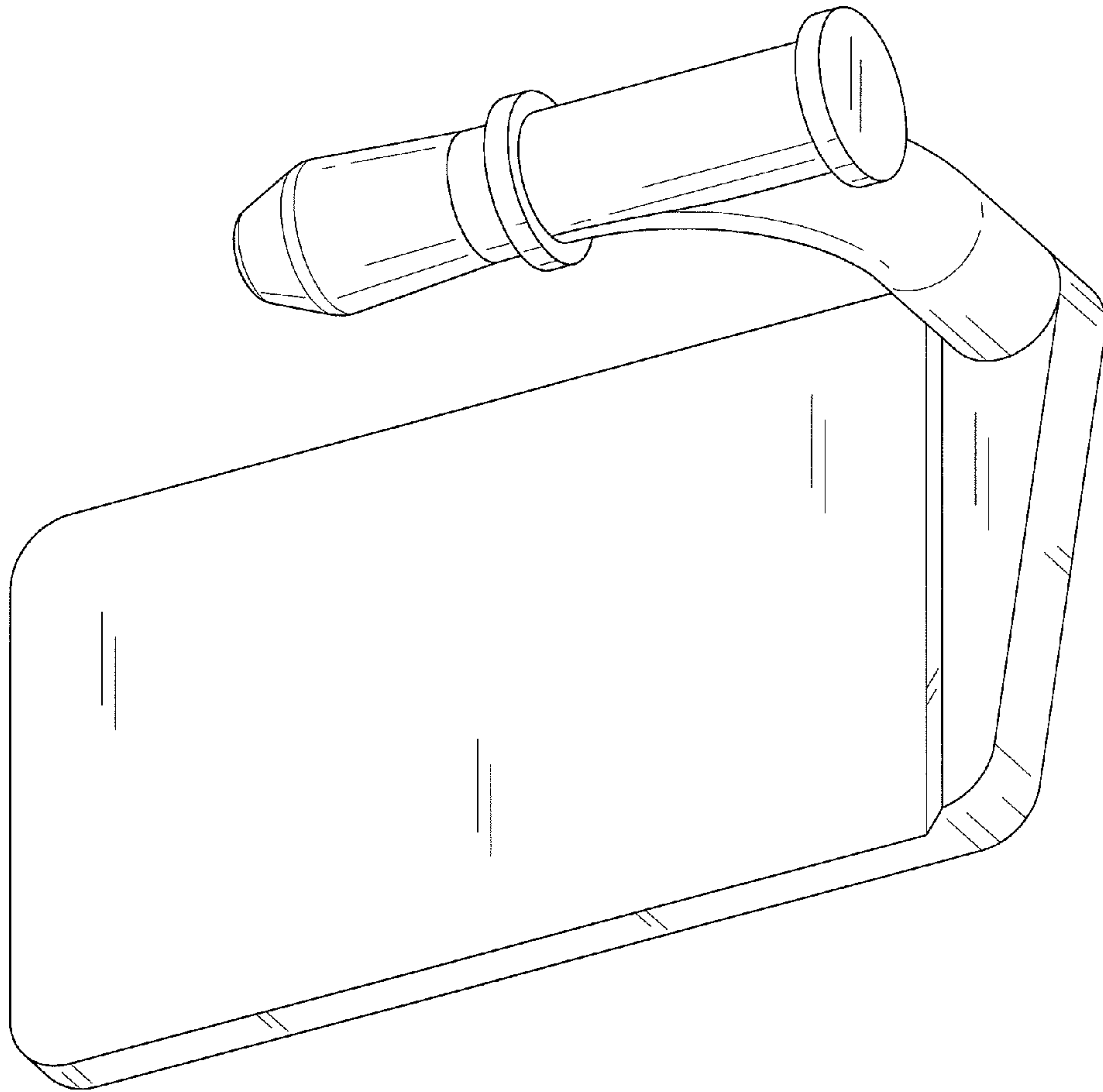


FIG. 2

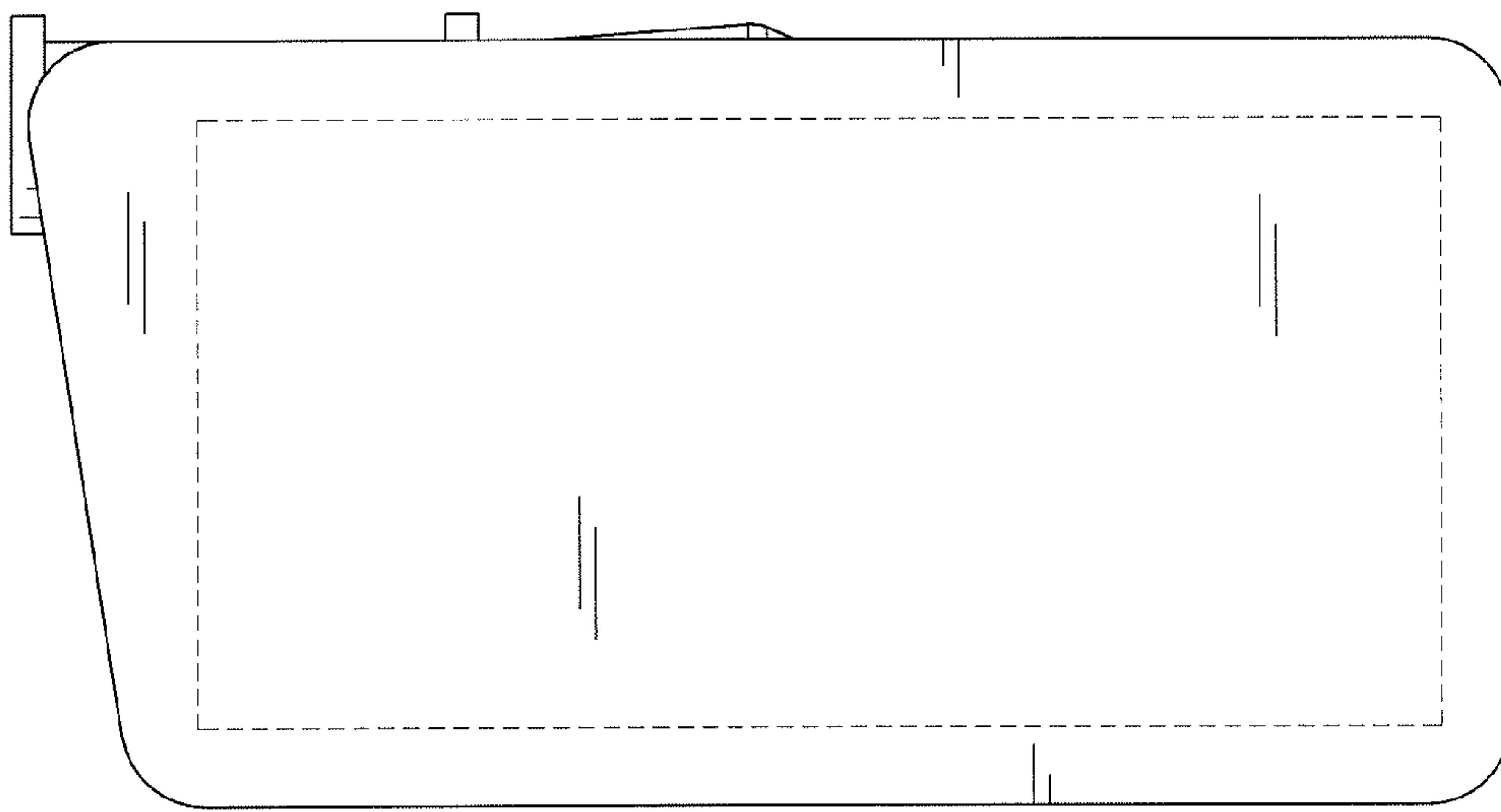


FIG. 3

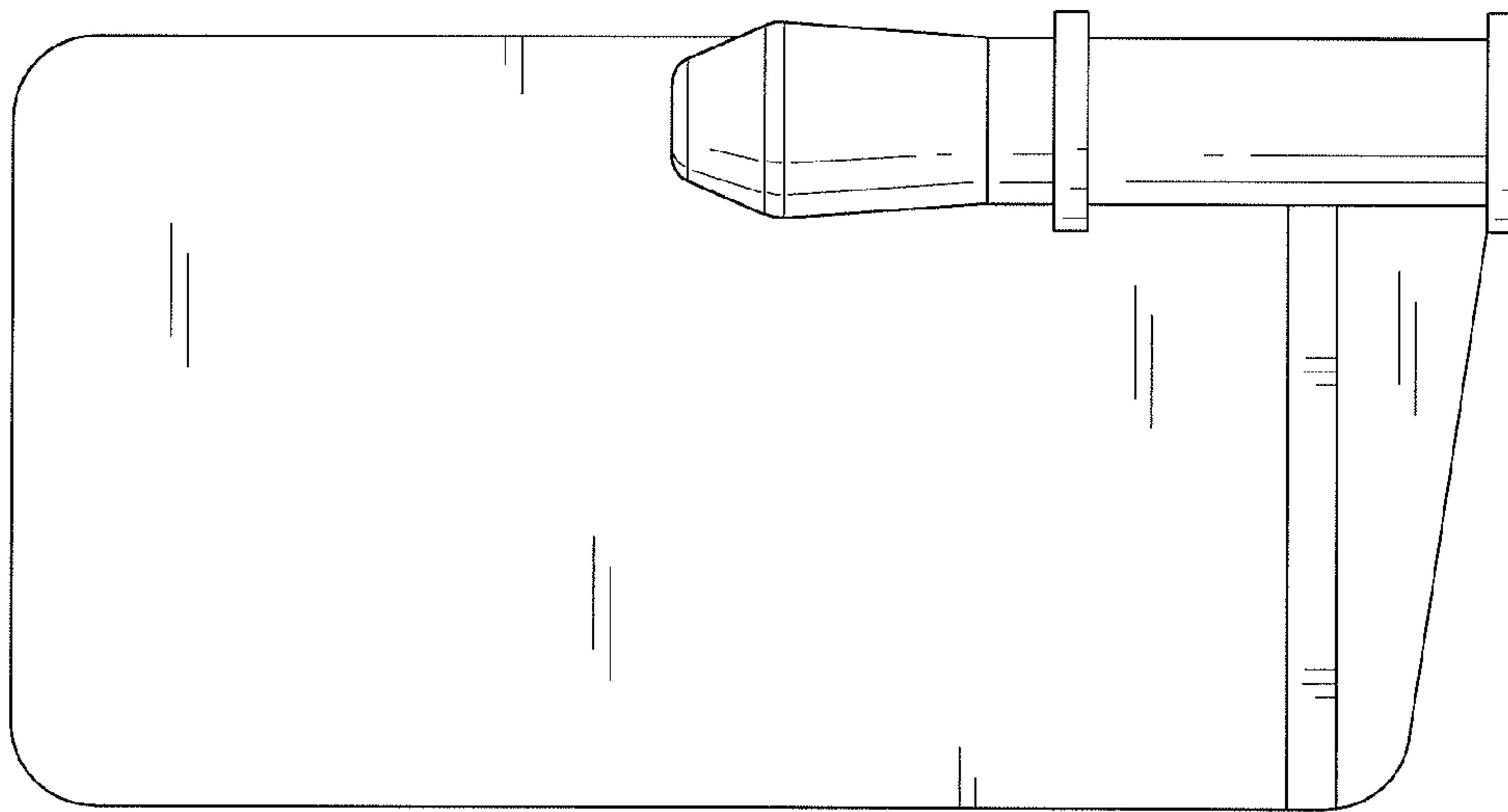


FIG. 4

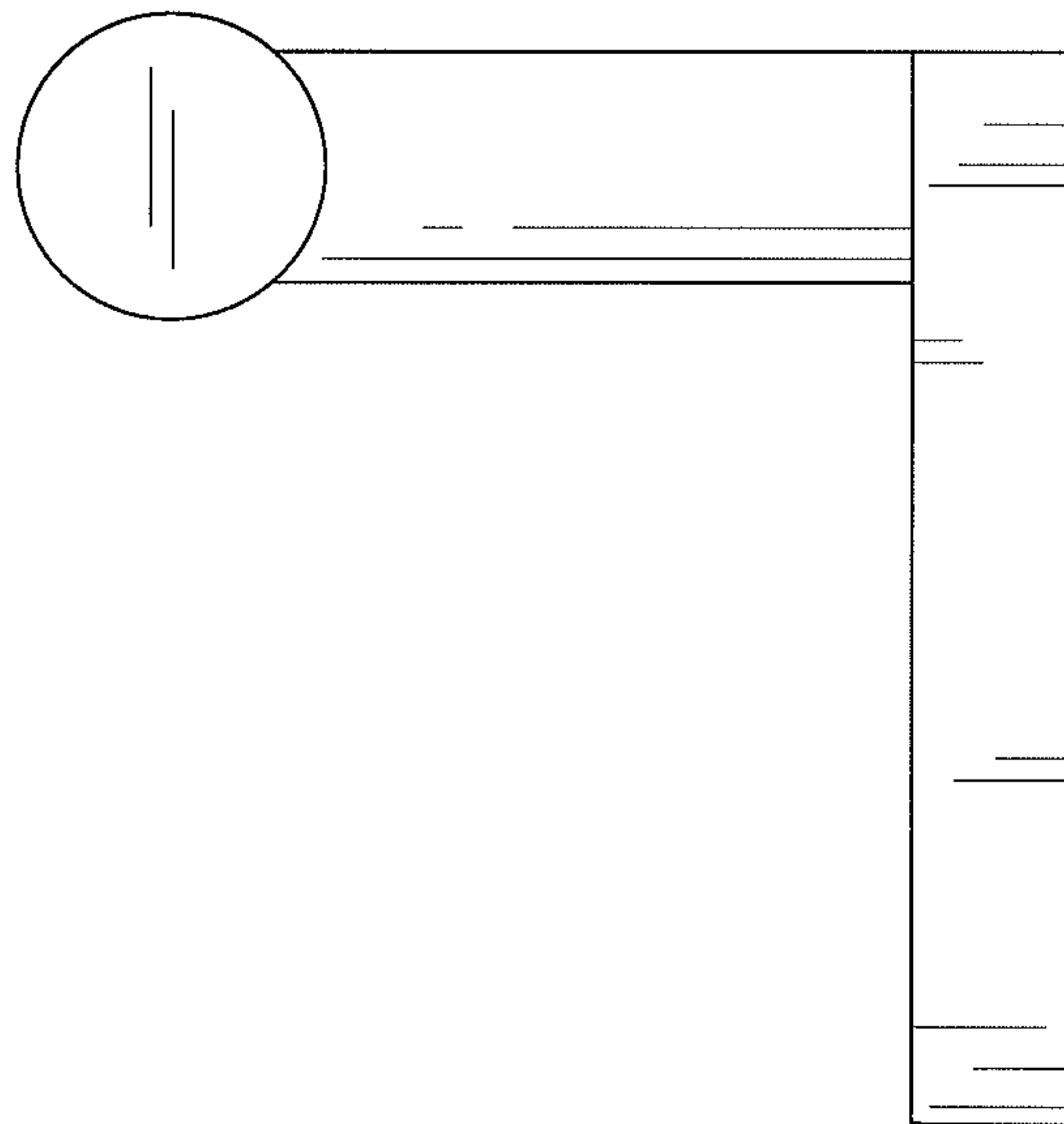


FIG. 5

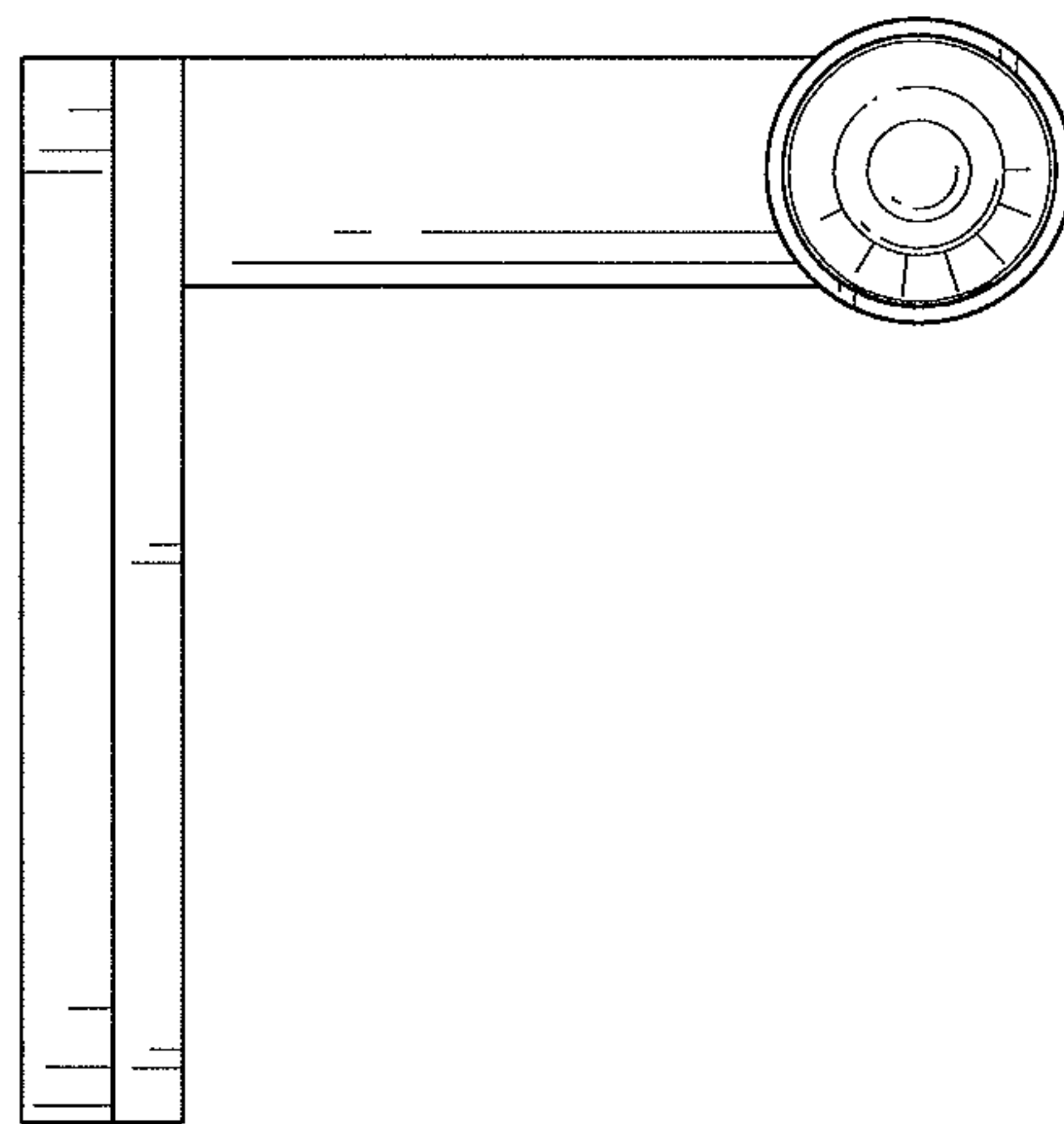


FIG. 6

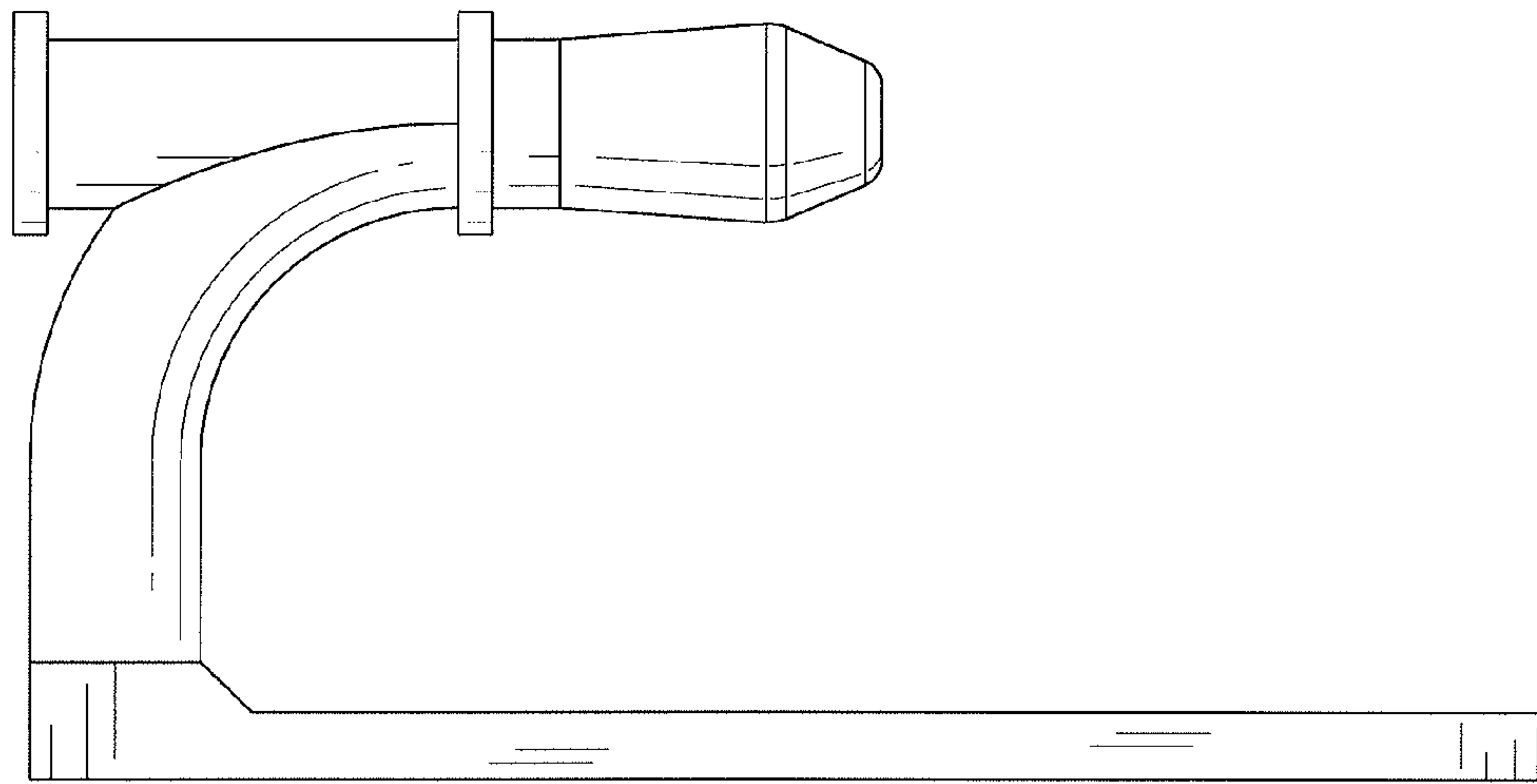


FIG. 7



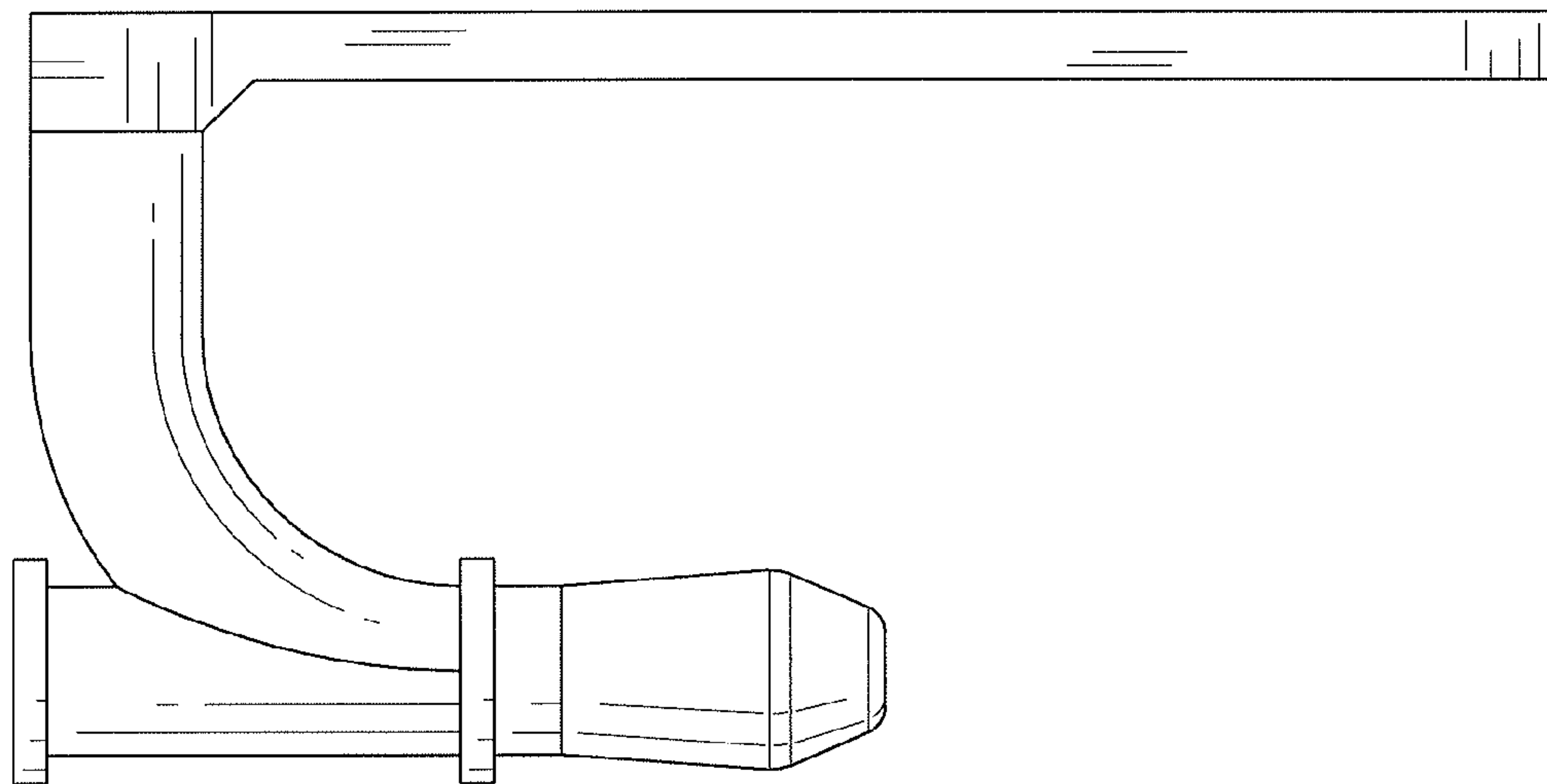


FIG. 8