



US00D701281S

(12) **United States Design Patent**  
**Cottle**

(10) **Patent No.:** **US D701,281 S**  
(45) **Date of Patent:** **\*\* Mar. 18, 2014**

- (54) **RIFLE STOCK**
- (71) Applicant: **Slide Fire Solutions LP**, Moran, TX (US)
- (72) Inventor: **Jeremiah Cottle**, Moran, TX (US)
- (73) Assignee: **Slide Fire Solutions, LP**, Moran, TX (US)
- (\*\*) Term: **14 Years**
- (21) Appl. No.: **29/433,597**
- (22) Filed: **Oct. 2, 2012**
- (51) **LOC (10) Cl.** ..... **22-01**
- (52) **U.S. Cl.**  
USPC ..... **D22/108**
- (58) **Field of Classification Search**  
USPC ..... D22/100, 101, 103, 104, 108, 199;  
42/51, 90, 71.01, 71.02, 73, 75.01,  
42/75.02; D21/572-573; 89/40.06, 37.04,  
89/33.04  
See application file for complete search history.

- 5,780,762 A 7/1998 Kobayashi
- 5,852,891 A 12/1998 Onishi et al.
- 5,979,098 A 11/1999 Griggs
- 6,101,918 A 8/2000 Akins
- 6,164,002 A 12/2000 Troncoso
- 6,807,763 B1 10/2004 Leung
- 6,966,138 B1 11/2005 Deckard
- 7,225,574 B2 6/2007 Crandall et al.

(Continued)

**OTHER PUBLICATIONS**

“[Archived Thread]—My Akins Accelerated 10/22 can kick your 10/22 ass . . . ” Purported Internet discussion thread. Aug. 13-22, 2006. (Copyright); Relevant pages may include p. 3 of 5. [[http://www.ar15.com/forums/t\\_6\\_11/203814\\_.html](http://www.ar15.com/forums/t_6_11/203814_.html)].

(Continued)

*Primary Examiner* — Michael A Pratt  
(74) *Attorney, Agent, or Firm* — Endurance Law Group, PLC

(57) **CLAIM**  
I claim the ornamental design for a rifle stock, as shown and described.

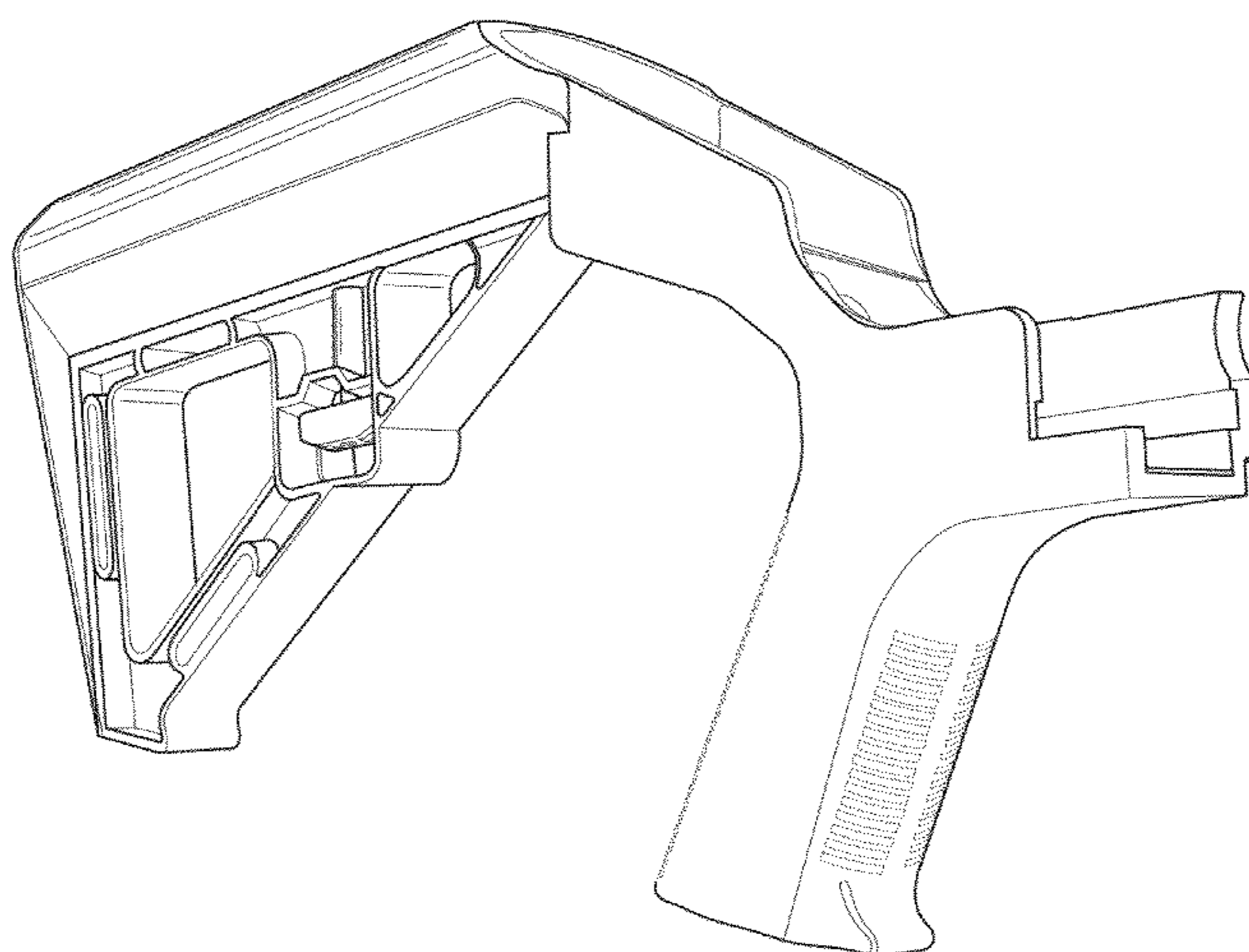
(56) **References Cited**  
U.S. PATENT DOCUMENTS

- 554,068 A 2/1896 Kimball
- 981,210 A 1/1911 Menteyne et al.
- 1,587,009 A 1/1926 Bobbe
- 2,220,663 A 11/1940 Rossmannith
- 2,361,985 A 11/1944 Birkigt
- 2,465,587 A 3/1949 Sampson et al.
- 3,031,786 A 5/1962 Robert
- 3,785,243 A 1/1974 Christakos
- 4,002,101 A 1/1977 Tellie
- 4,553,468 A 11/1985 Castellano et al.
- 4,787,288 A 11/1988 Miller
- 4,803,910 A 2/1989 Troncoso
- 5,074,190 A 12/1991 Troncoso
- 5,092,052 A 3/1992 Godsey

**DESCRIPTION**

FIG. 1 is perspective view of a rifle stock according to the present invention;  
FIG. 2 is a right side view of the rifle stock;  
FIG. 3 is a left side view of the rifle stock;  
FIG. 4 is an end view looking at the butt end of the stock;  
FIG. 5 is a front end view of the rifle stock;  
FIG. 6 is a top view of the rifle stock; and,  
FIG. 7 is a bottom view of the rifle stock.  
The broken line showing of aspects of the rifle stock in FIGS. 1 through 7 is included for the purpose of illustrating environment and forms no part of the claimed design.

**1 Claim, 5 Drawing Sheets**



(56)

**References Cited**

U.S. PATENT DOCUMENTS

7,273,002	B1	9/2007	Rogers	
7,340,857	B1	3/2008	Bentley	
7,398,723	B1	7/2008	Blakley	
7,562,614	B2	7/2009	Polston	
7,596,900	B2	10/2009	Robinson et al.	
D645,110	S *	9/2011	Cook et al.	D22/108
8,051,593	B2	11/2011	Vesligaj	
8,127,658	B1 *	3/2012	Cottle	89/140
8,176,835	B1 *	5/2012	Cottle	89/140
8,356,542	B2 *	1/2013	Cottle et al.	89/140
8,371,208	B2 *	2/2013	Cottle	89/140
8,448,562	B2 *	5/2013	Cottle	89/140
8,474,169	B2 *	7/2013	Cottle et al.	42/73
2005/0183312	A1	8/2005	Speaks	
2006/0123683	A1	6/2006	Garrett et al.	
2009/0126249	A1 *	5/2009	Crommett	42/71.01
2010/0071246	A1	3/2010	Vesligaj	
2012/0042556	A1	2/2012	Vesligaj	

OTHER PUBLICATIONS

“Akins Accelerator Decision v 2.0”; Purported internet discussion thread. Jan. 9-Jun. 30, 2007. [<http://thefiringline.com/forums/archive/index.php?t-234087.html>].

“Another neutered Akins accelerator FS”; Purported internet discussion thread. Jan. 19-30, 2009. [<http://1919a4.com/showthread.php?21872-Another-neutered-Akins-accelerator-FS>].

“ATF reverses decision . . .”; Purported internet discussion thread. Dec. 6-24, 2006. [<http://www.thehighroad.org/archive/index.php/t-240357.html>].

“Bill\_Akins > albums > Private concepts”; Purported video posted to internet. Oct. 16, 2008. [<http://good-times.webshots.com/video/3011228380099763970axOjzH>].

“Just Wanted To Show Off My Bumpfiring Toy”; Purported internet discussion thread with embedded videos. Nov. 13, 2008-May 14, 2010; Relevant pages may include p. 1 of 2. [<http://forum.saiga-12.com/index.php?topic/31610-just-wanted-to-show-off-my-bumpfiring-toy-p/>].

“More Thoughts on the Akins Accelerator”; Purported Internet discussion thread. May 29, 2008-Sep. 25, 2009. [[http://armsandthelaw.com/archives/2008/05/atkins\\_accelera.php](http://armsandthelaw.com/archives/2008/05/atkins_accelera.php)].

“Screw the ATF and 1022”; Purported internet discussion thread. Apr. 10-11, 2007. [<http://www.thehighroad.org/archive/index.php/t-268573.html>].

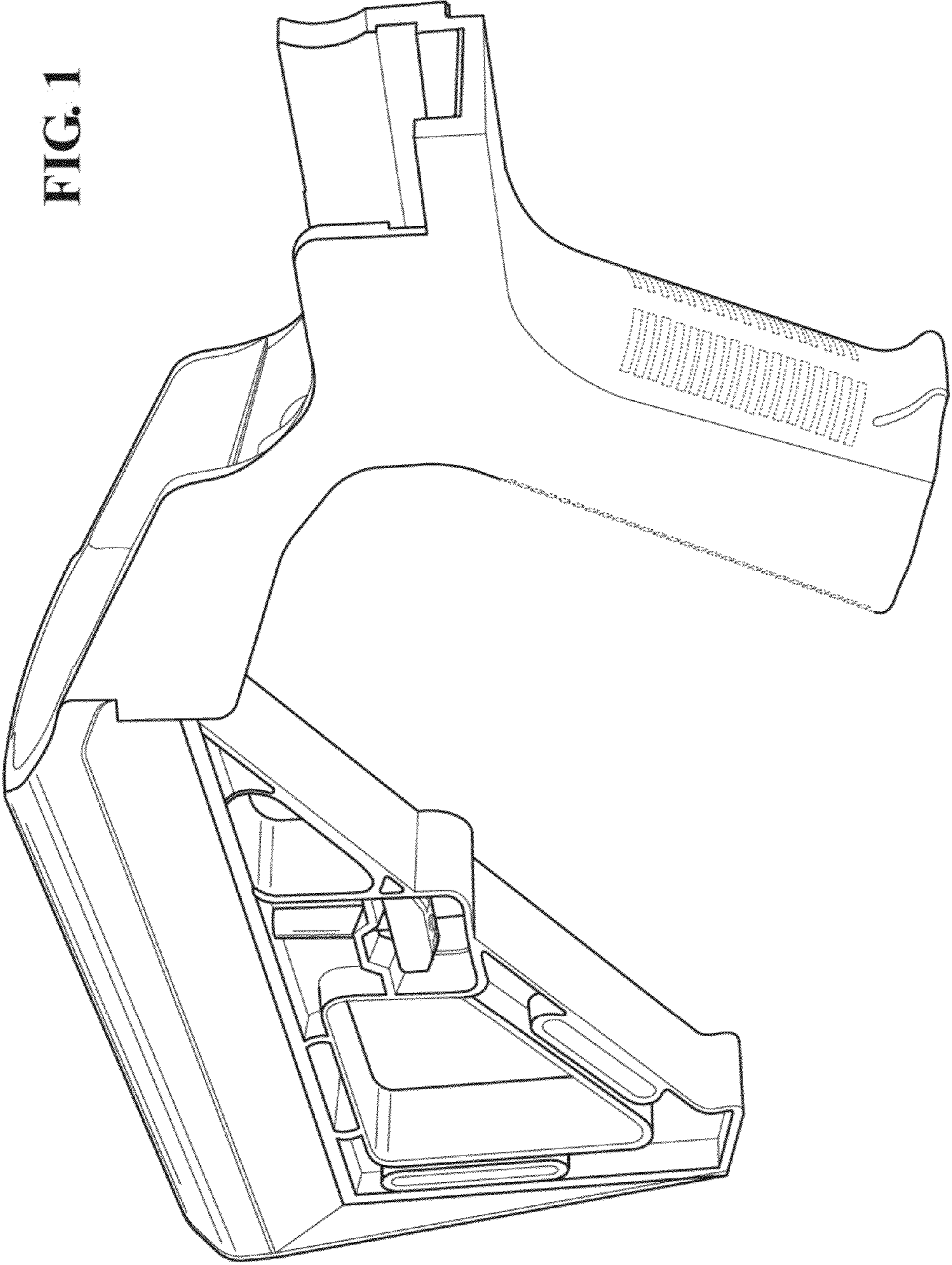
“Turn in Your Killer Springs Here”; Purported internet discussion thread. Jan. 9-10, 2007. [<http://www.thehighroad.org/archive/index.php/t-246764.html>].

Michael Foeller II letter from US US Department of Justice, Bureau of Alcohol, Tobacco, Firearms and Explosives, Jun. 18, 2008.

Michael Johnson letter from US Department of Justice, Bureau of Alcohol, Tobacco, Firearms and Explosives, Jun. 26, 2008.

\* cited by examiner

FIG. 1



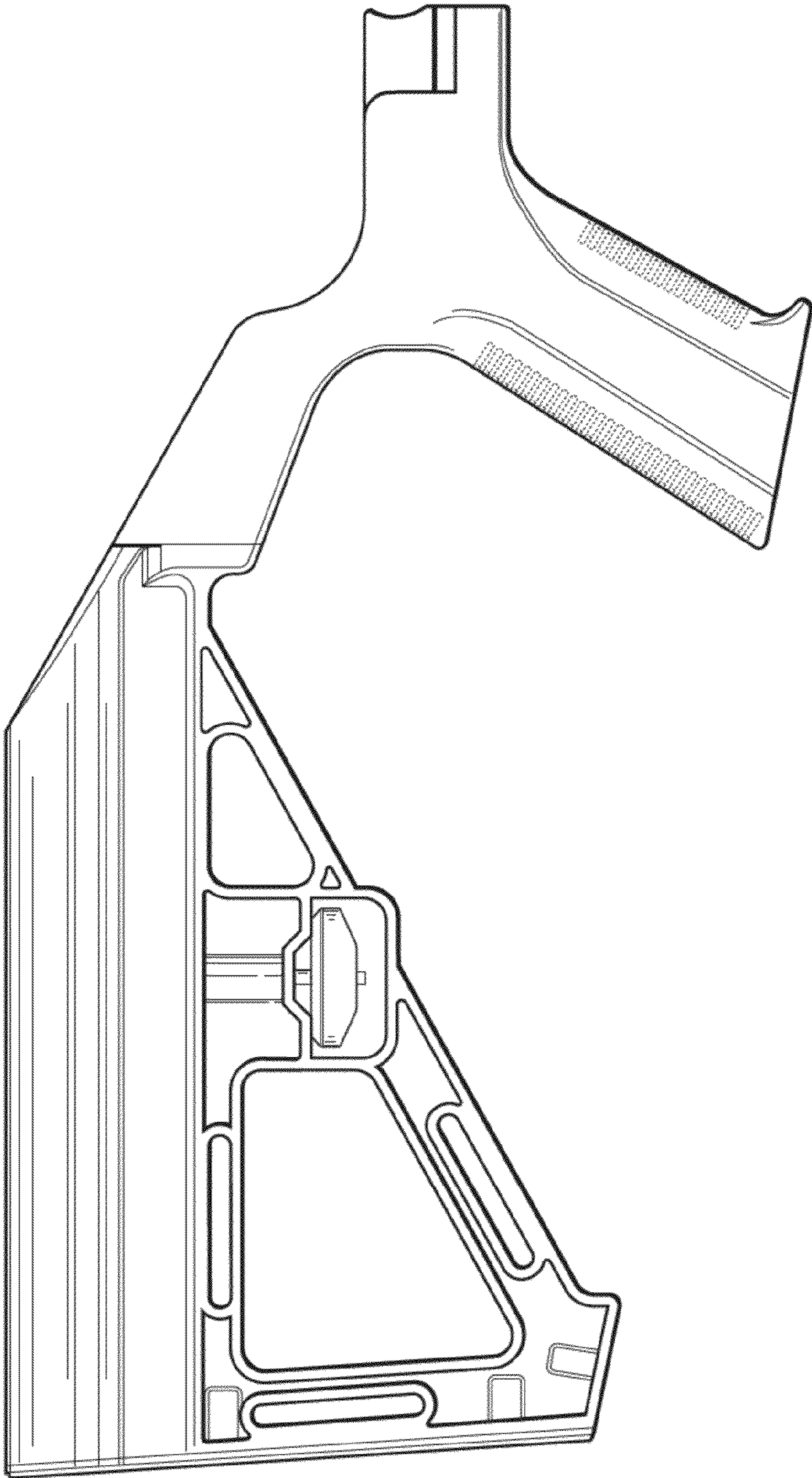


FIG. 2

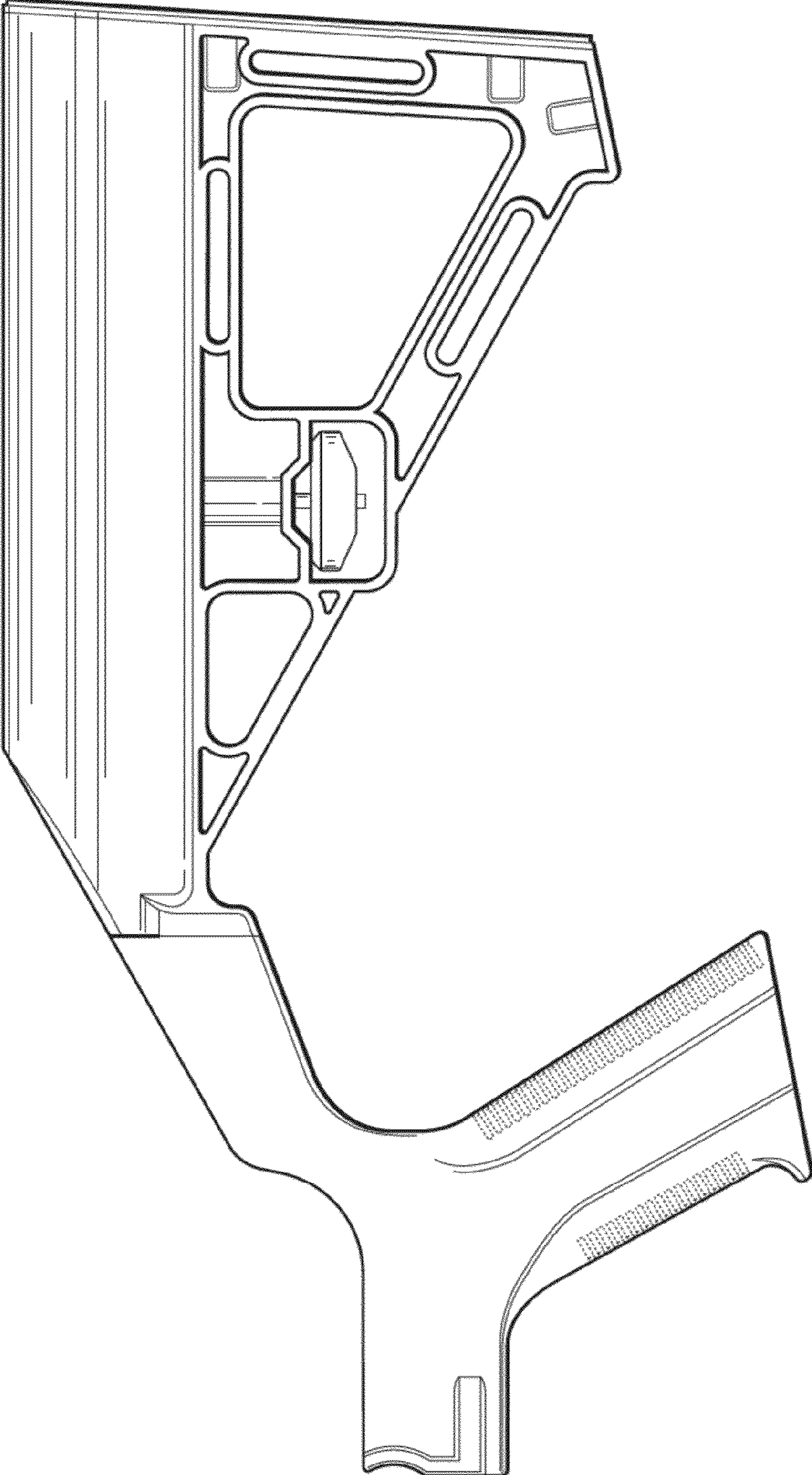


FIG. 3

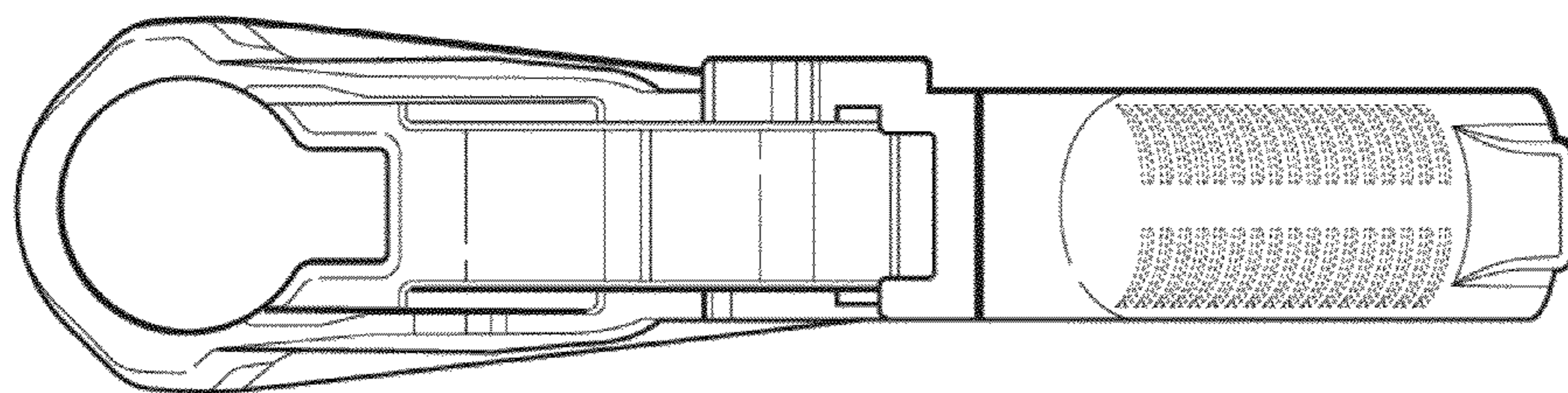


FIG. 5

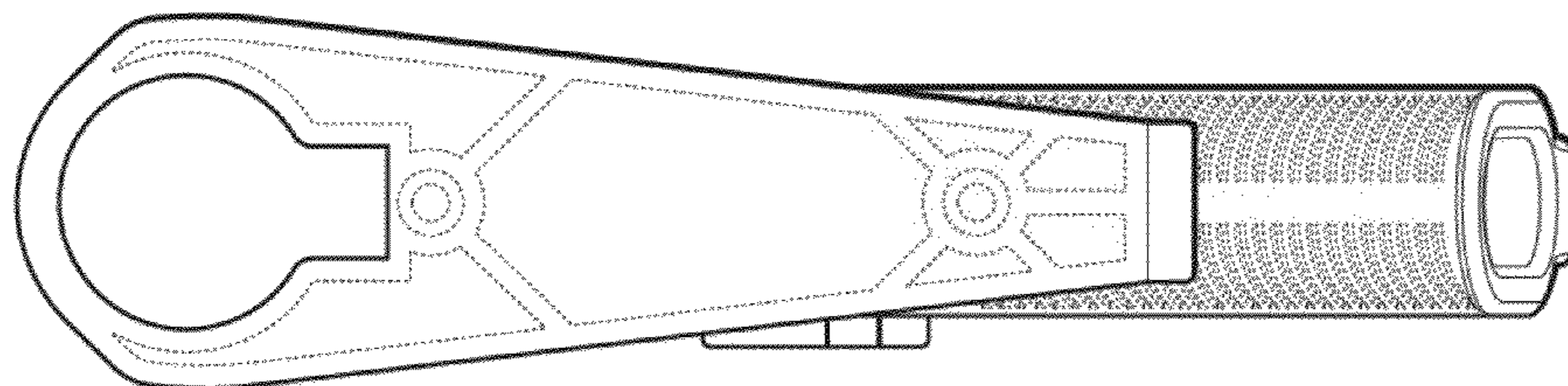


FIG. 4

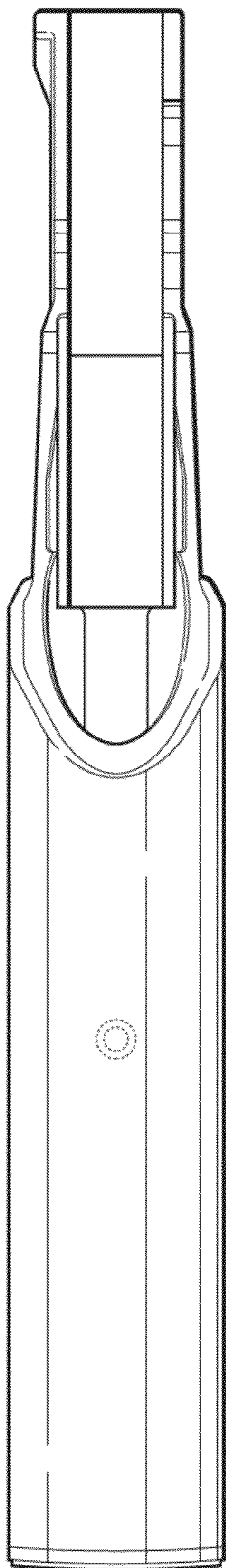


FIG. 6

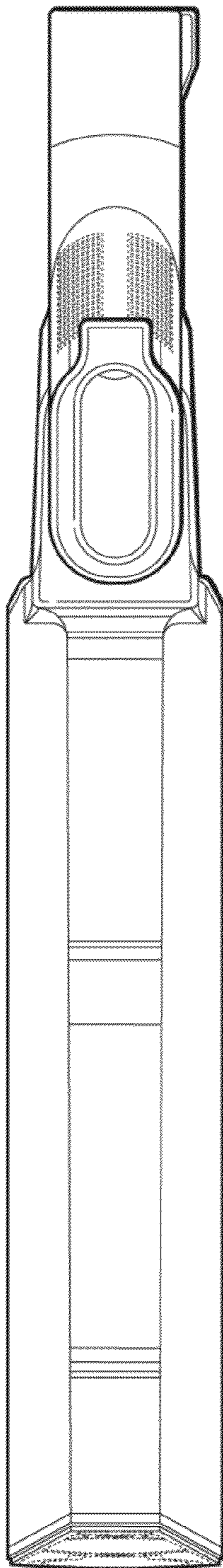


FIG. 7