



US00D701279S

(12) **United States Design Patent**
Clark

(10) **Patent No.:** **US D701,279 S**
(45) **Date of Patent:** **** Mar. 18, 2014**

(54) **LIGHT WITH FIREARM MOUNTING BRACKET**

(71) Applicant: **Specialized Tactical Systems**, Pleasant View, UT (US)

(72) Inventor: **Robert Campbell Clark**, Pleasant View, UT (US)

(73) Assignee: **Specialized Tactical Systems**, Pleasant View, UT (US)

(**) Term: **14 Years**

(21) Appl. No.: **29/433,075**

(22) Filed: **Sep. 25, 2012**

(51) **LOC (10) Cl.** **22-01**

(52) **U.S. Cl.**
USPC **D22/108**

(58) **Field of Classification Search**
USPC D22/100, 108, 109; D26/24–27, 38, 40, D26/42, 46–47, 51, 60, 113, 118, 130–133, D26/136; 362/157–158, 183, 184, 190, 194, 362/195, 196, 197, 202–208; 42/123–124, 42/127, 131–132, 146
See application file for complete search history.

(56) **References Cited**

U.S. PATENT DOCUMENTS

6,799,862	B2 *	10/2004	Galli	362/201
7,125,145	B2 *	10/2006	Gardiner et al.	362/253
7,524,076	B2 *	4/2009	Kukuk	362/112
D605,339	S *	12/2009	Quadri	D26/118
7,845,105	B1	12/2010	Cahill		
D675,281	S *	1/2013	Speroni	D22/109
D687,592	S *	8/2013	Park	D26/118
2006/0026882	A1	2/2006	Miller et al.		
2006/0256547	A1 *	11/2006	Huang	362/119

2008/0168696 A1 7/2008 Orne et al.
2009/0283558 A1 11/2009 Wanzer
2009/0288328 A1 11/2009 Kiser
2010/0005697 A1 1/2010 Fluhr et al.

(Continued)

Primary Examiner — Michael A Pratt

(74) *Attorney, Agent, or Firm* — Steven L. Nichols; Van Cott, Bagley, Cornwall & McCarthy P.C.

(57) **CLAIM**

The ornamental design for a light with firearm mounting bracket, as shown and described.

DESCRIPTION

FIG. 1 is an isometric view from above and from the rear of the light. As seen in FIG. 1, the light includes a light body that is attached to and supported on a bracket.

FIG. 2 is an isometric view from below and from the rear of the light.

FIG. 3 is a top elevational view of the light.

FIG. 4 is a bottom elevational view of the light.

FIG. 5 is a left side elevational view of the light.

FIG. 6 is a right side elevational view of the light.

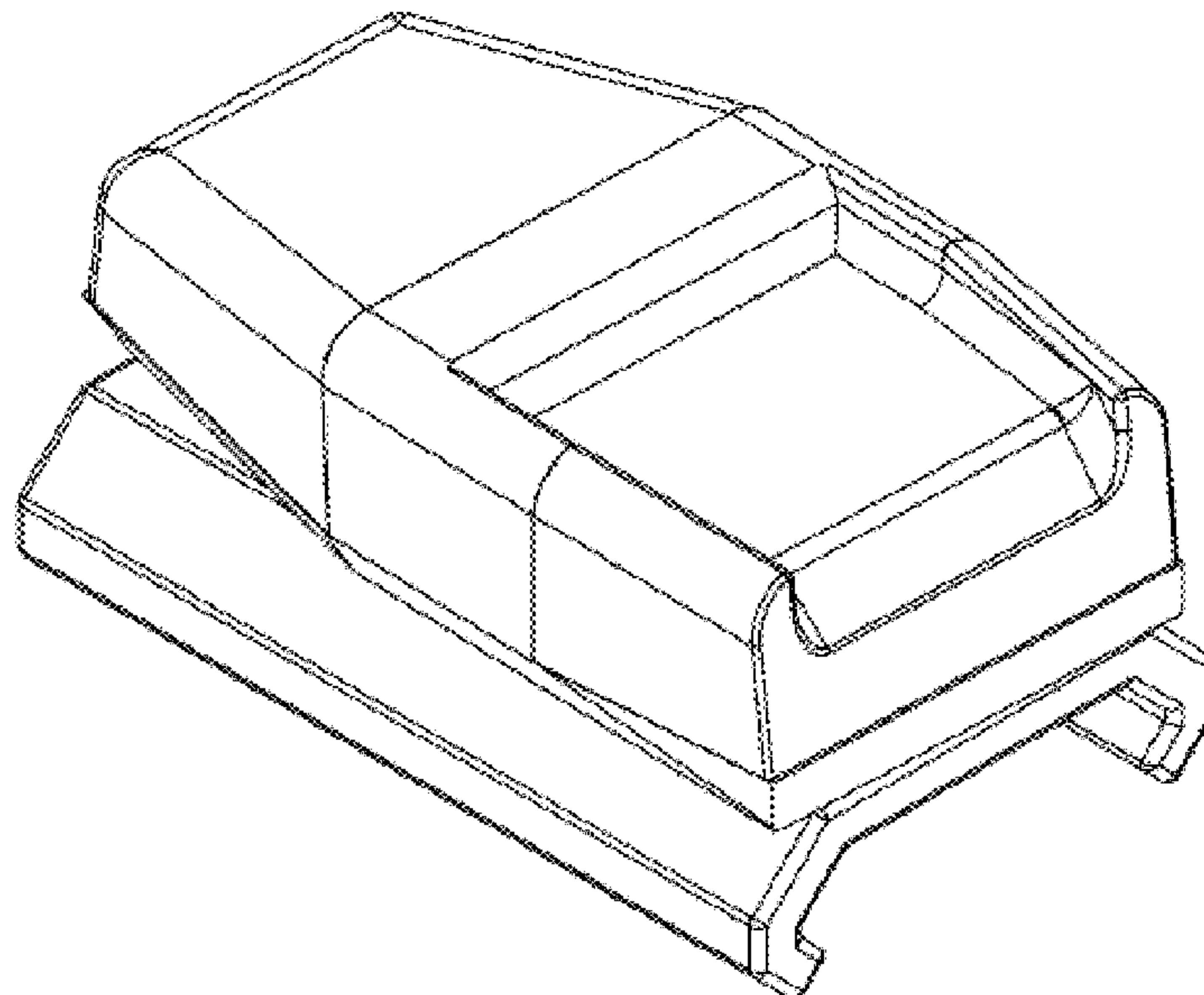
FIG. 7 is rear elevational view of the light.

FIG. 8 is front elevational view of the light; and,

FIG. 9 is an isometric view of the light that shows the front of the light and also shows the light body in an alternative orientation with respect to the mounting bracket as compared to all the other views of the light. Although FIG. 9 shows the light body rotationally oriented with respect to the mounting bracket at a particular angle, the view of FIG. 9 is not meant to be limiting as to the angles at which the light body may be orientated with respect to the mounting bracket.

The broken line showing aspects of the light with firearm mounting bracket in FIGS. 2, 4, 7 and 8 is included for the purpose of illustrating environment and forms no part of the claimed design.

1 Claim, 7 Drawing Sheets



(56)

References Cited

U.S. PATENT DOCUMENTS

2010/0229450 A1 9/2010 Becker et al.
2010/0315256 A1 12/2010 Hughes et al.
2011/0146128 A1 6/2011 Haering

2011/0219657 A1 9/2011 Ash, Jr. et al.
2012/0055062 A1 3/2012 Mironichev et al.
2012/0057360 A1 3/2012 Swan

* cited by examiner

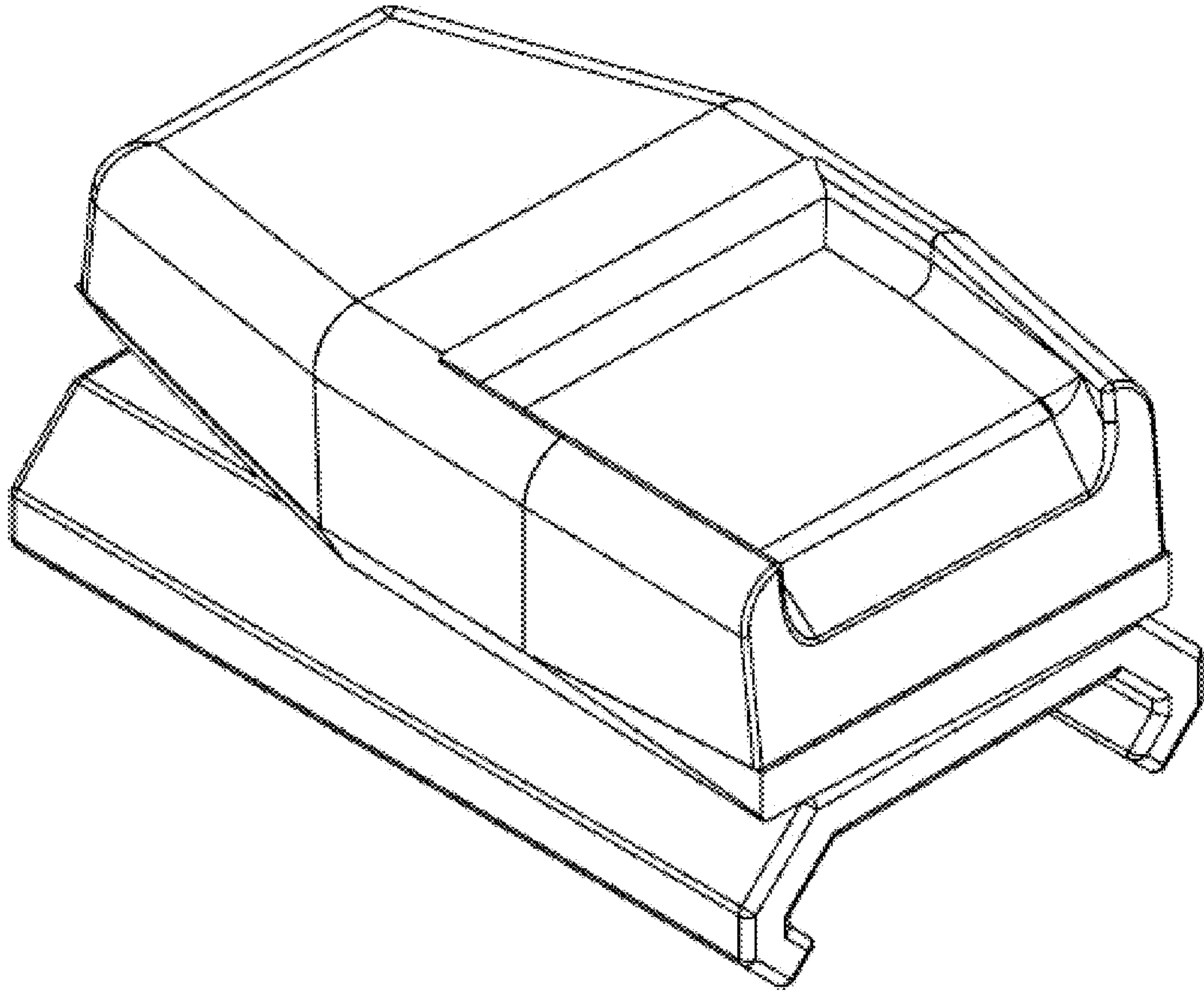


Fig. 1

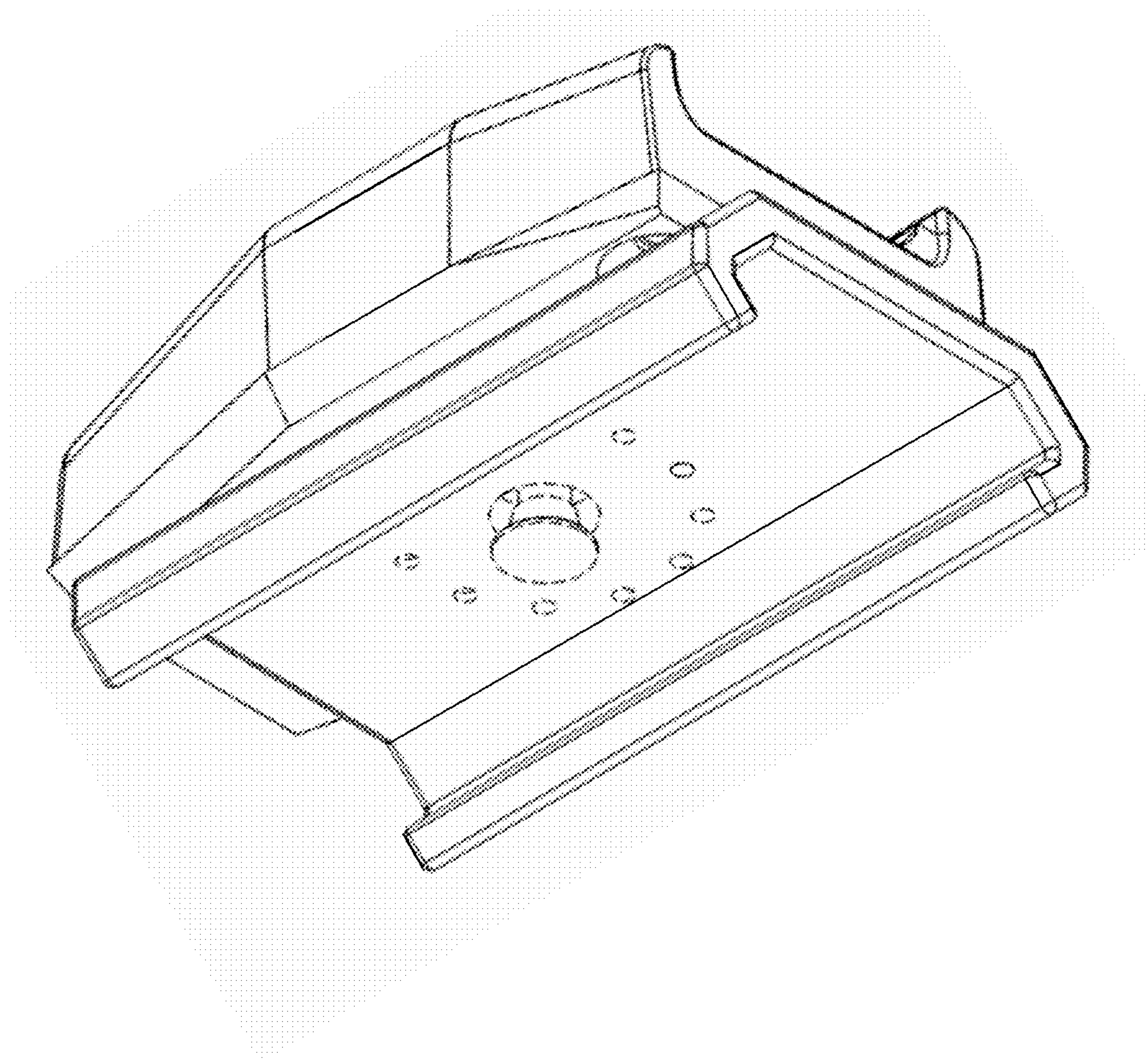


Fig. 2

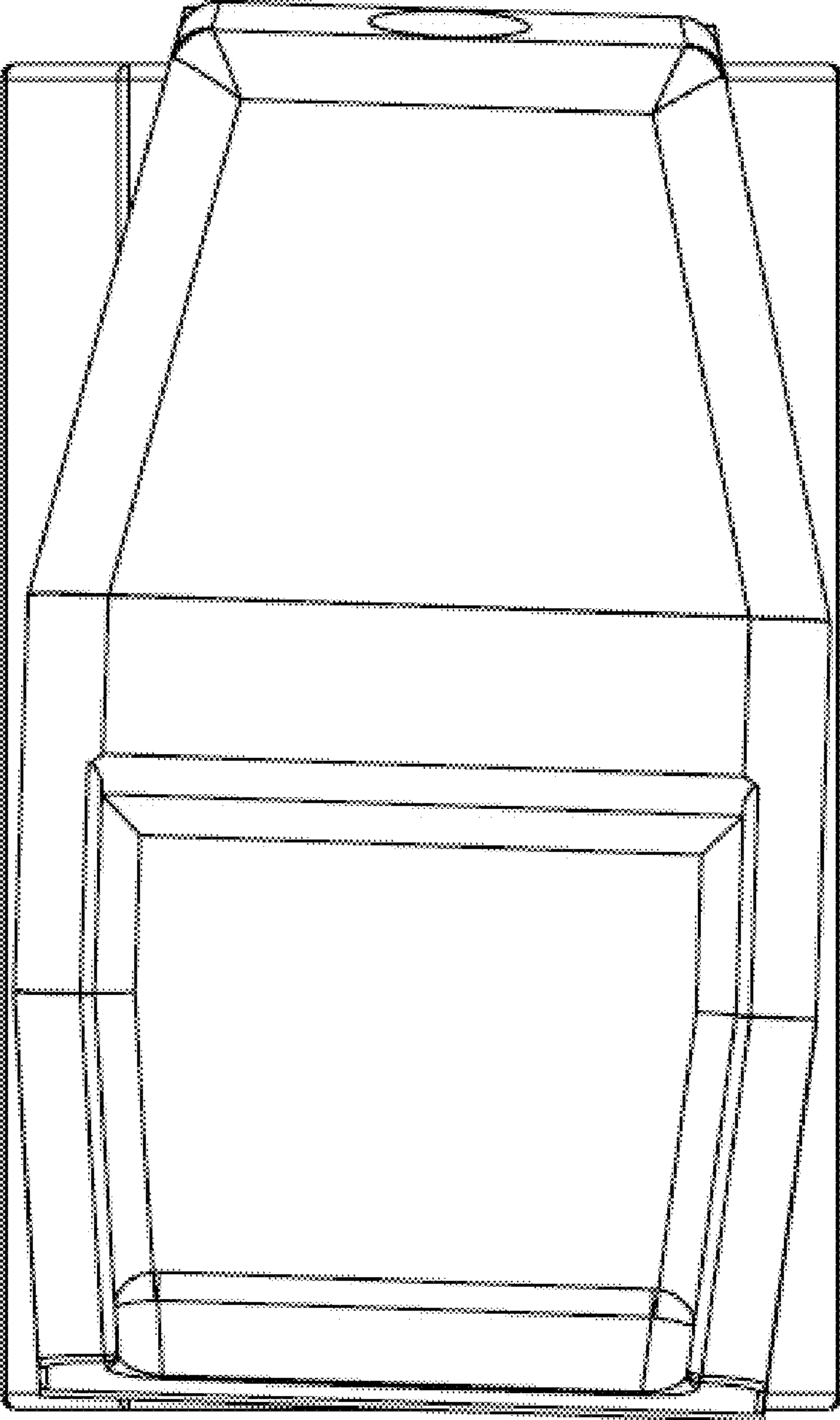


Fig. 3

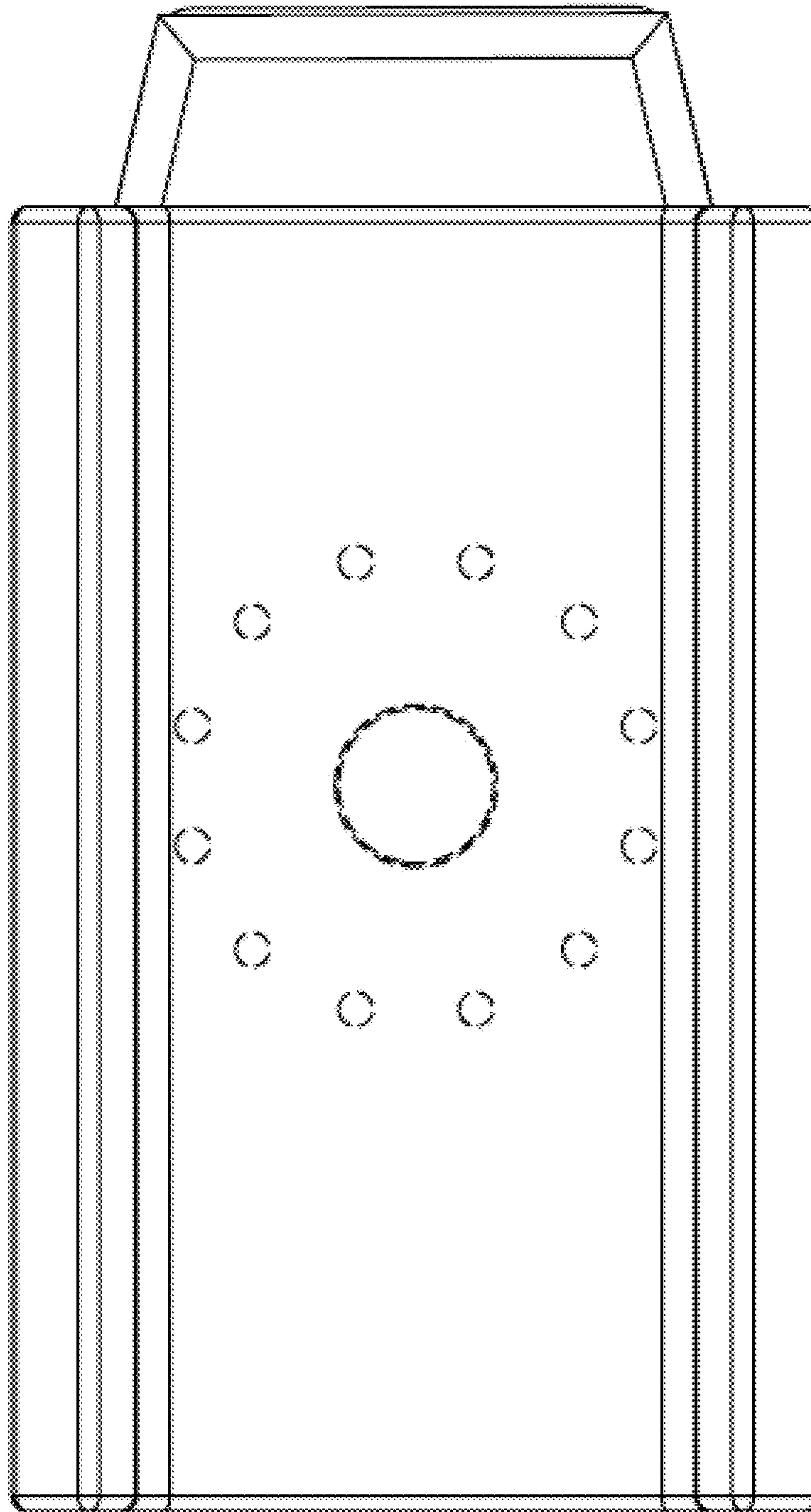


Fig. 4

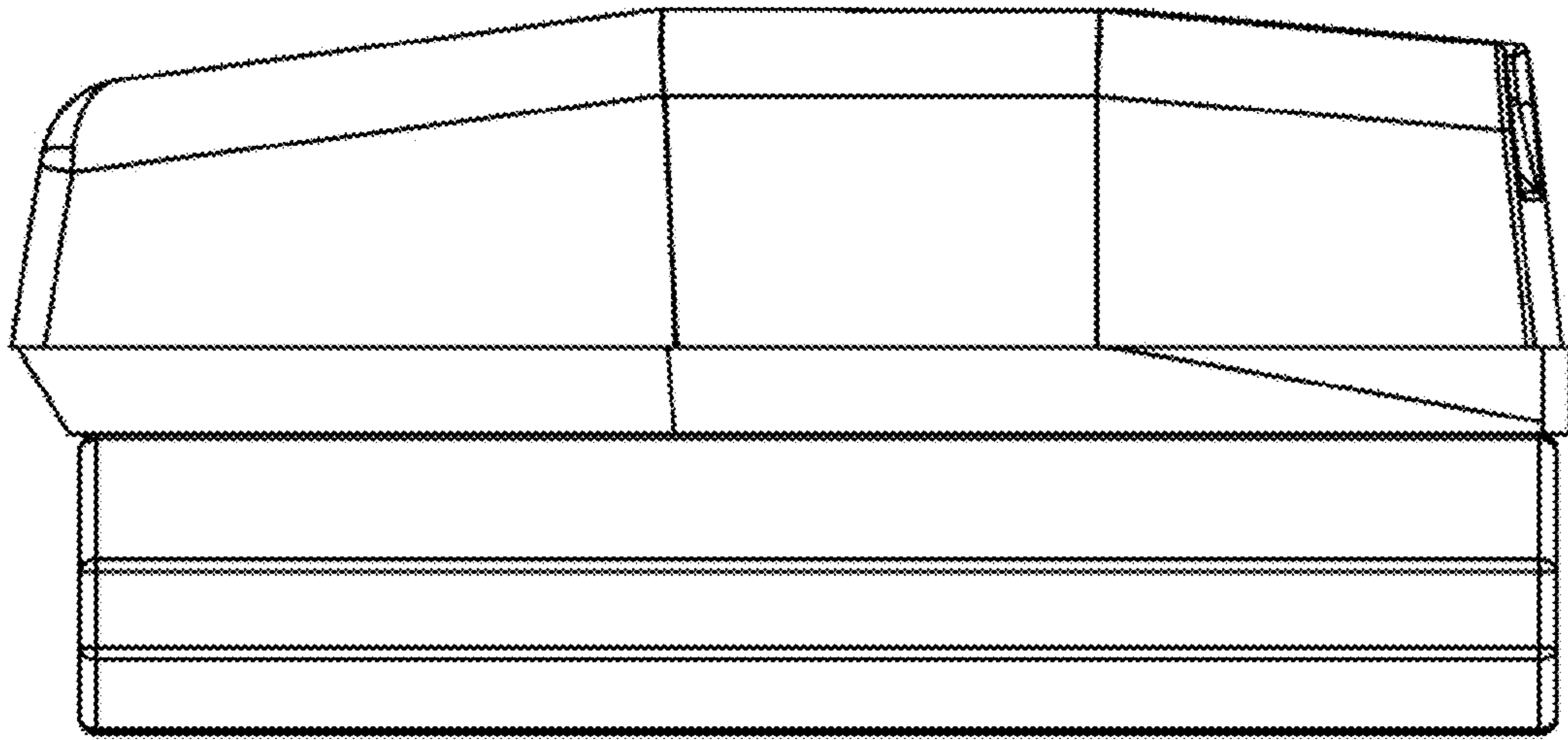


Fig. 5

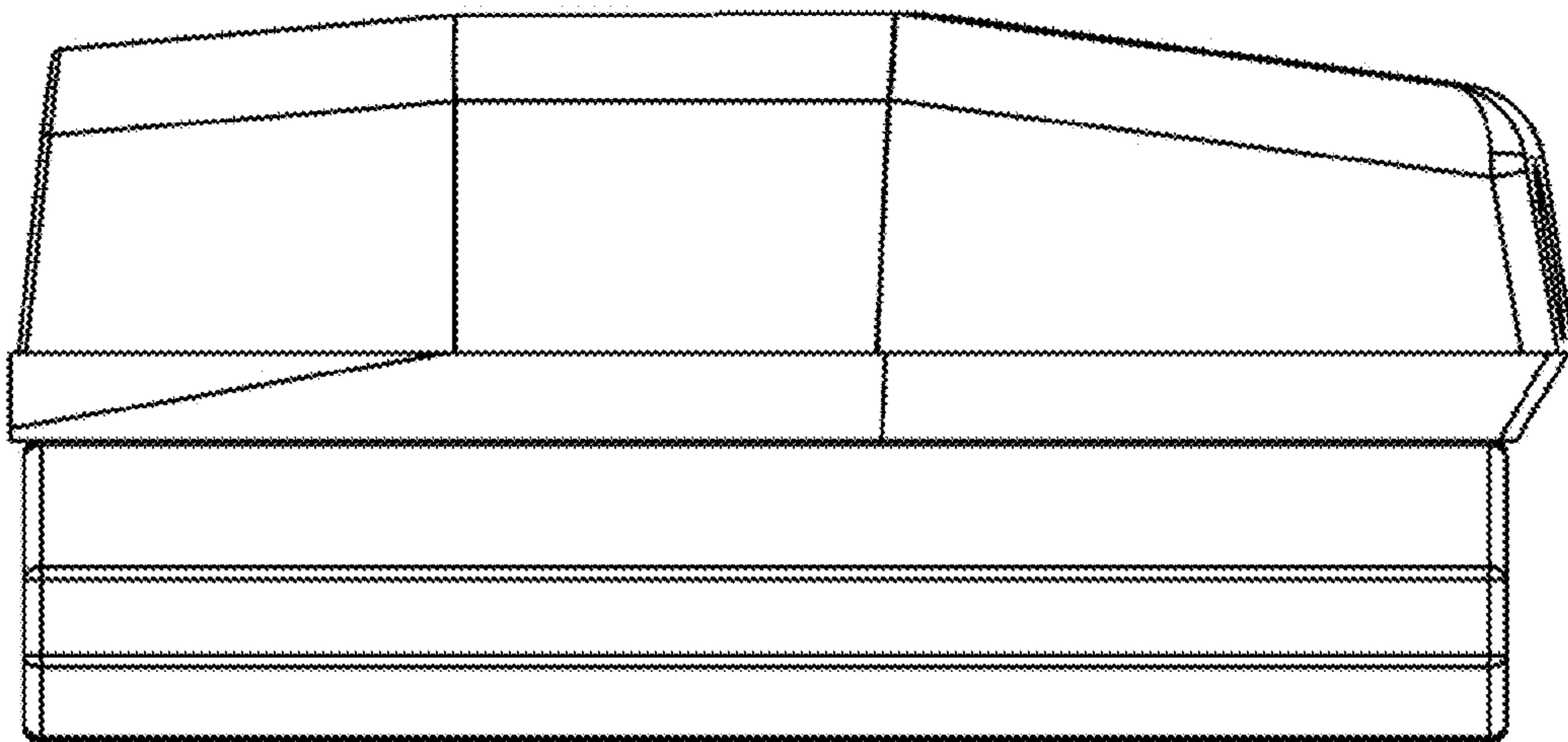


Fig. 6

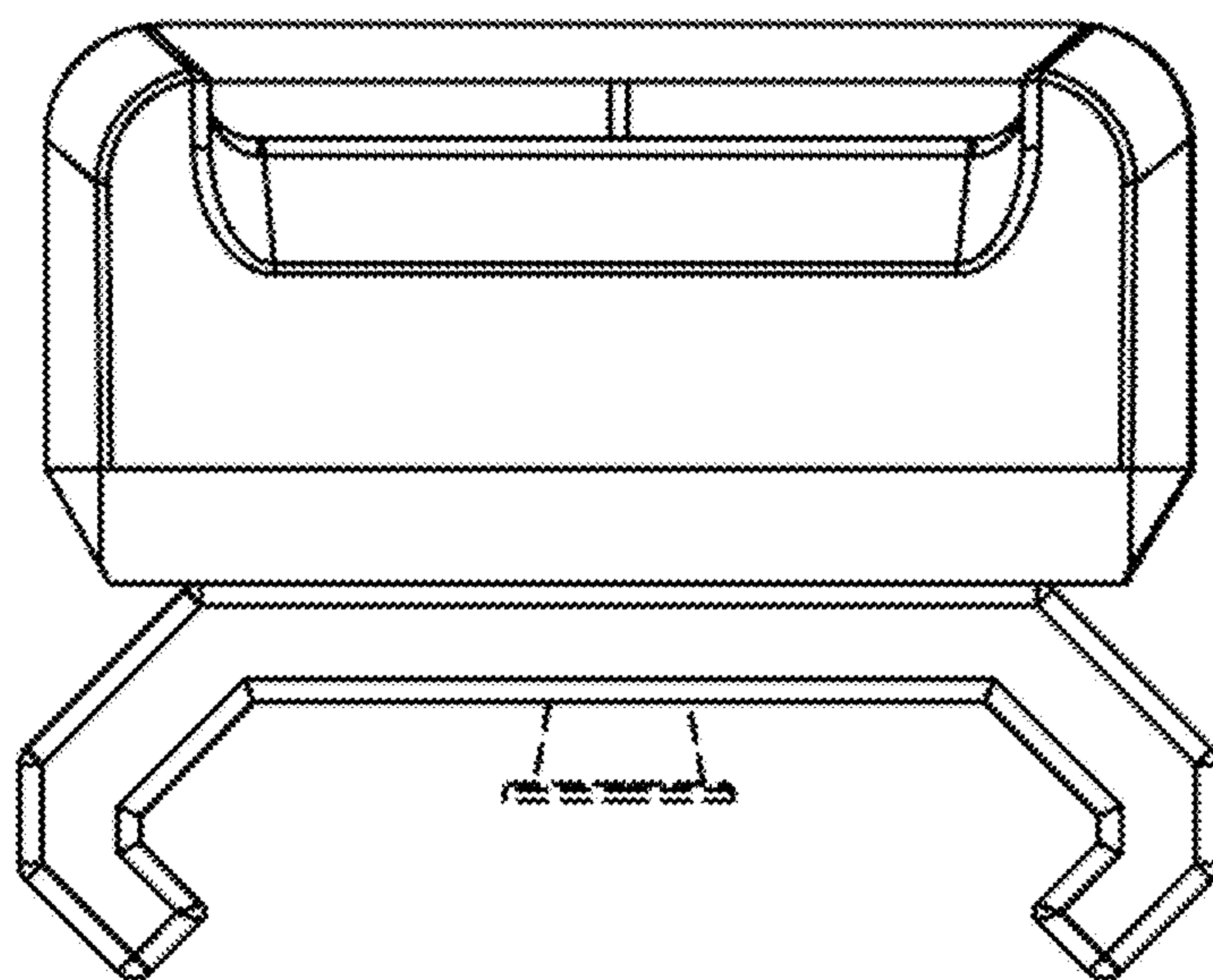


Fig. 7

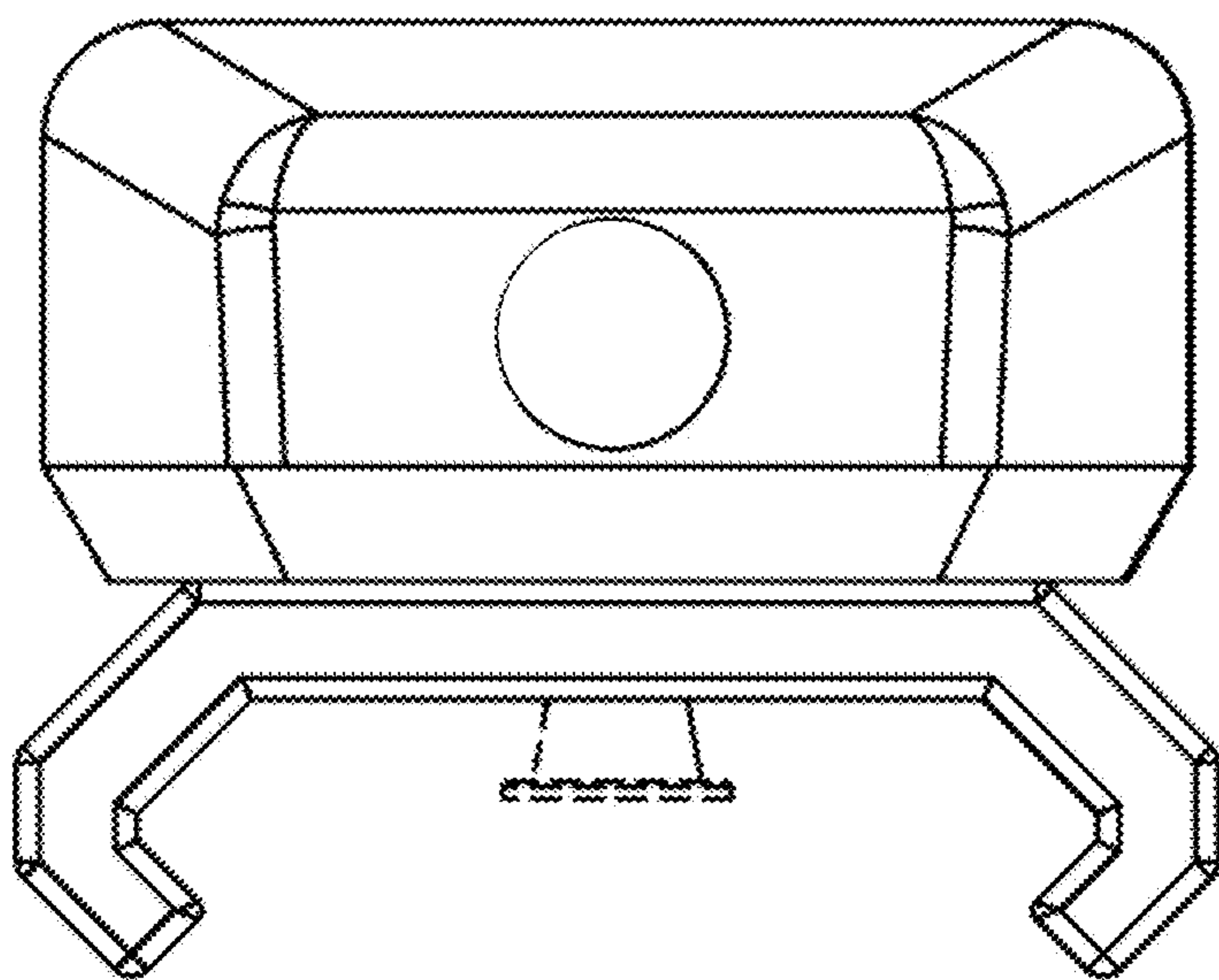


Fig. 8

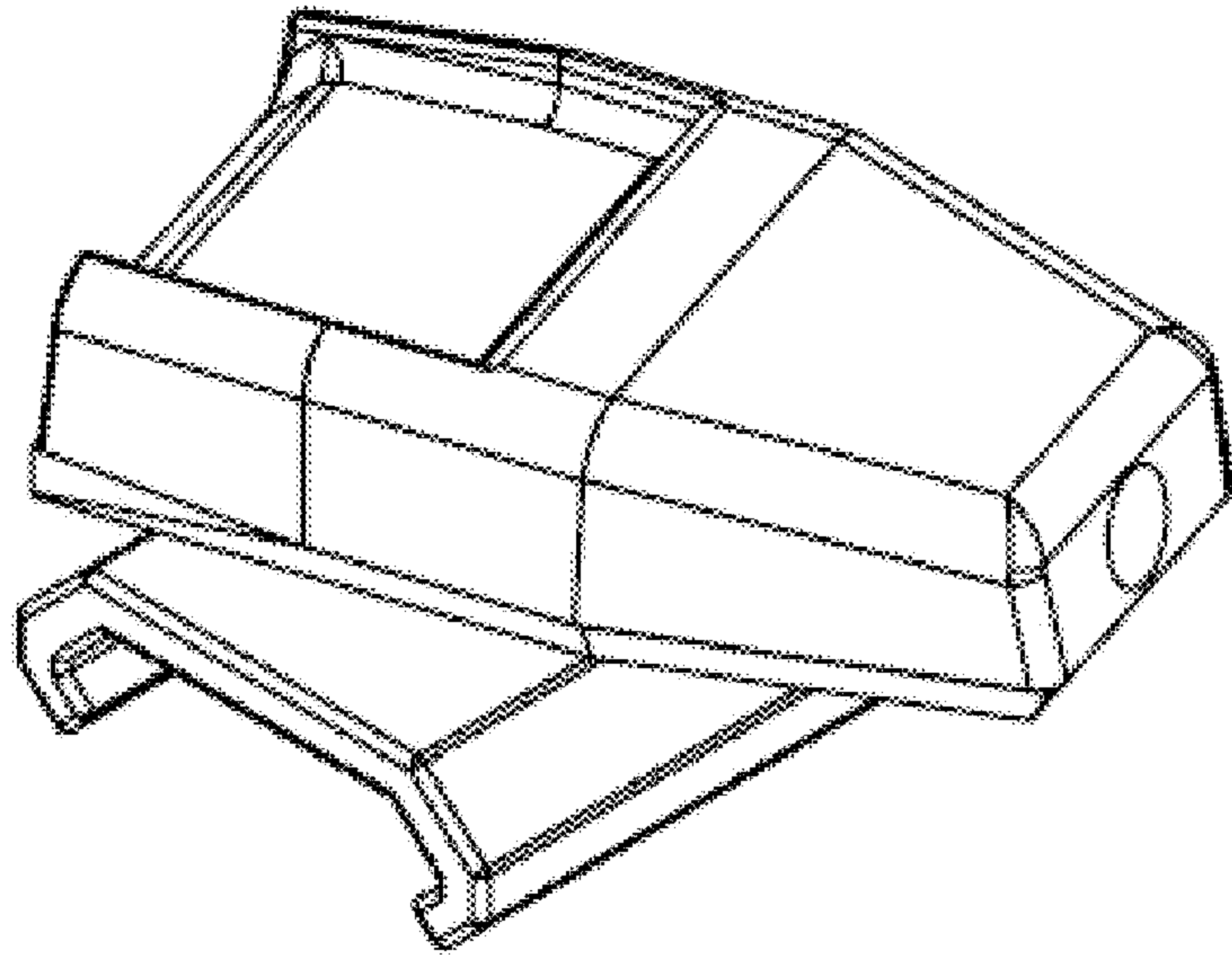


Fig. 9