



US00D701278S

(12) **United States Design Patent**  
**Hoffmann**

(10) **Patent No.:** **US D701,278 S**  
(45) **Date of Patent:** **\*\* Mar. 18, 2014**

(54) **DISC GOLF MARKER**

(76) Inventor: **Mark H Hoffmann**, Elmhurst, IL (US)

(\*\*) Term: **14 Years**

(21) Appl. No.: **29/430,490**

(22) Filed: **Aug. 27, 2012**

(51) **LOC (10) Cl.** ..... **21-02**

(52) **U.S. Cl.**  
USPC ..... **D21/793**

(58) **Field of Classification Search**  
USPC ..... D21/789, 794; 473/285, 406; 446/46;  
206/315.1; D3/215

See application file for complete search history.

(56) **References Cited**

**U.S. PATENT DOCUMENTS**

4,380,337	A *	4/1983	DiMatteo	.....	473/285
4,568,297	A *	2/1986	Dunipace	.....	446/46
D319,862	S *	9/1991	Lahger	.....	D21/794
D445,160	S *	7/2001	Hueber	.....	D21/794
D446,837	S *	8/2001	Tate	.....	D21/794
D462,102	S *	8/2002	Urbik	.....	D21/794
D485,981	S *	2/2004	Romero	.....	D3/215
6,887,119	B2 *	5/2005	Bloeme et al.	.....	446/46
D516,241	S *	2/2006	Gaines et al.	.....	D27/161
D517,149	S *	3/2006	Shutter et al.	.....	D21/794
7,081,032	B1 *	7/2006	Holgate	.....	446/46
D560,739	S *	1/2008	Bernatz et al.	.....	D21/794
D622,799	S *	8/2010	Cameron	.....	D21/794
D624,142	S *	9/2010	Weber	.....	D21/794

D624,143	S *	9/2010	Weber	.....	D21/794
8,057,326	B2 *	11/2011	Woodbury	.....	473/406
D651,271	S *	12/2011	Edelman	.....	D21/791
D652,101	S *	1/2012	Ward	.....	D21/794
D653,722	S *	2/2012	Morris et al.	.....	D21/796
8,444,513	B2 *	5/2013	Cournoyer	.....	473/588

\* cited by examiner

*Primary Examiner* — Mitchell Siegel

(74) *Attorney, Agent, or Firm* — Patnaude & Videbeck

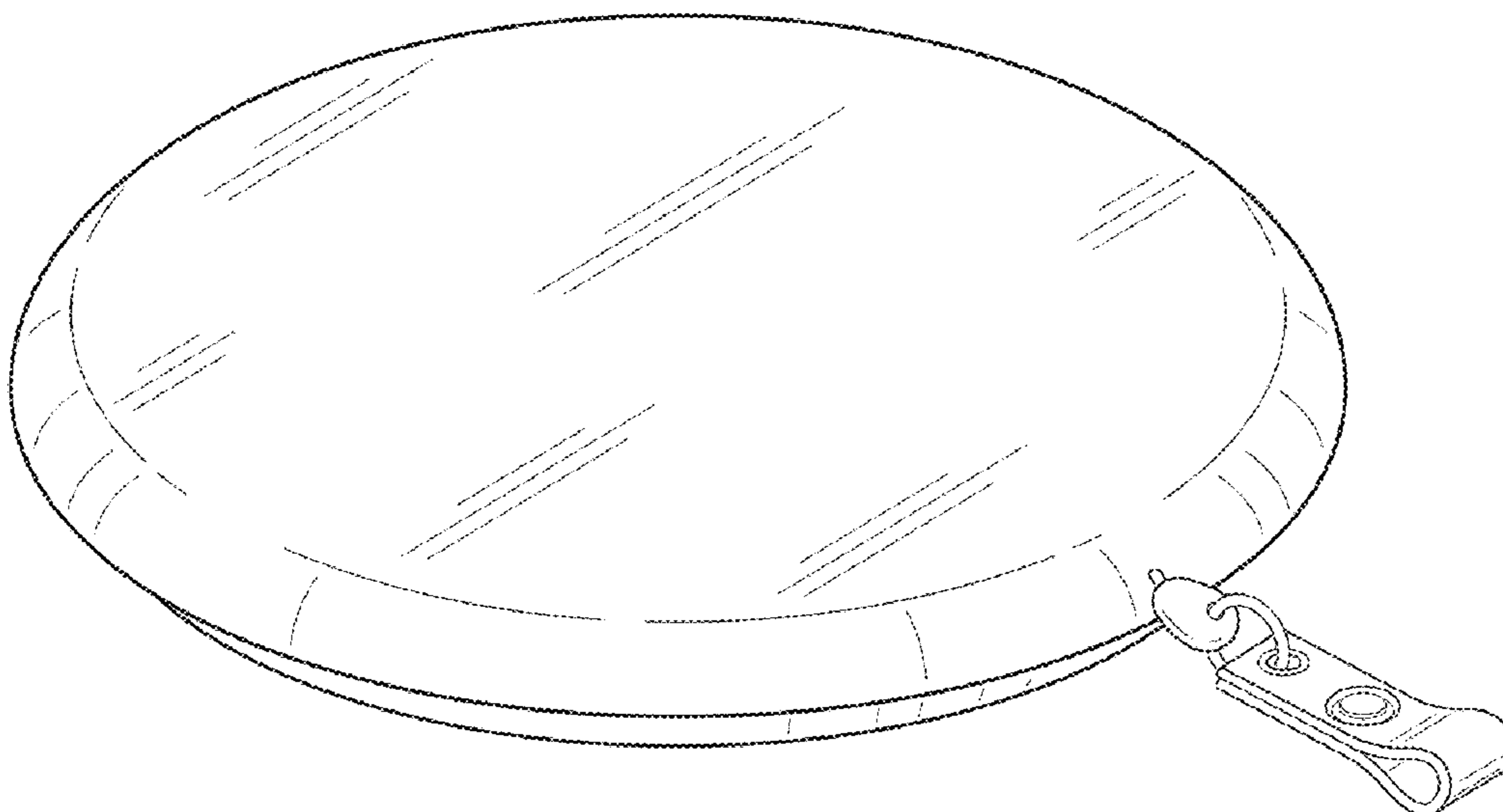
(57) **CLAIM**

The ornamental design for a disc golf marker, as shown and described.

**DESCRIPTION**

FIG. 1 is a top perspective view of a disc golf marker showing my new design;  
 FIG. 2 is a bottom perspective view of the disc golf marker;  
 FIG. 3 is a front elevational view of the marker;  
 FIG. 4 is a rear elevational view of the marker;  
 FIG. 5 is a left side elevational view of the marker;  
 FIG. 6 is a right side elevational view of the marker;  
 FIG. 7 is a top plan view of the marker;  
 FIG. 8 is a bottom plan view of the marker; and,  
 FIG. 9 is an exploded perspective view of the marker showing the broken line of the measuring rule housing is included for the purpose of illustration and forms no part of the claim design.

**1 Claim, 4 Drawing Sheets**



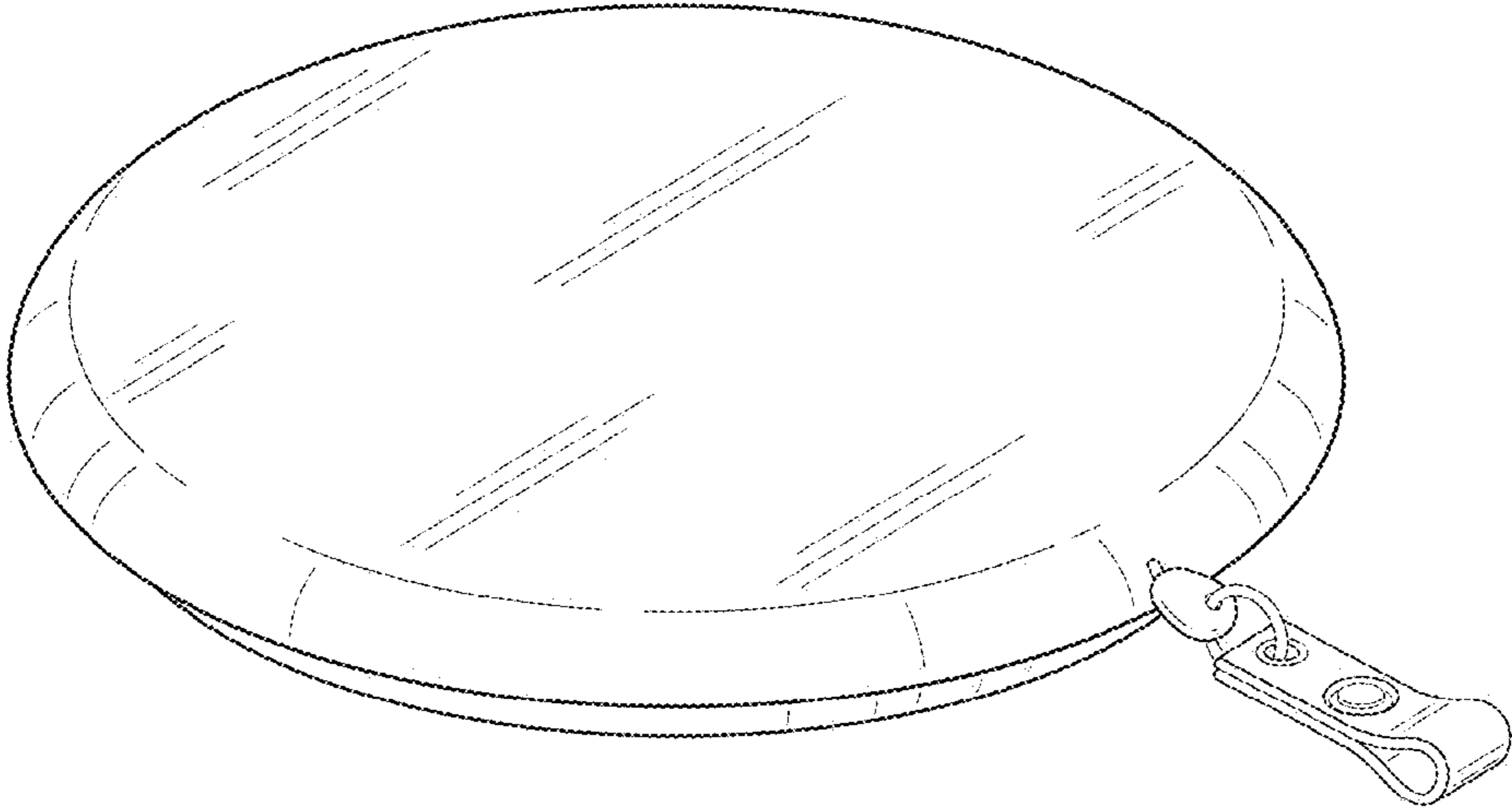


FIG. 1

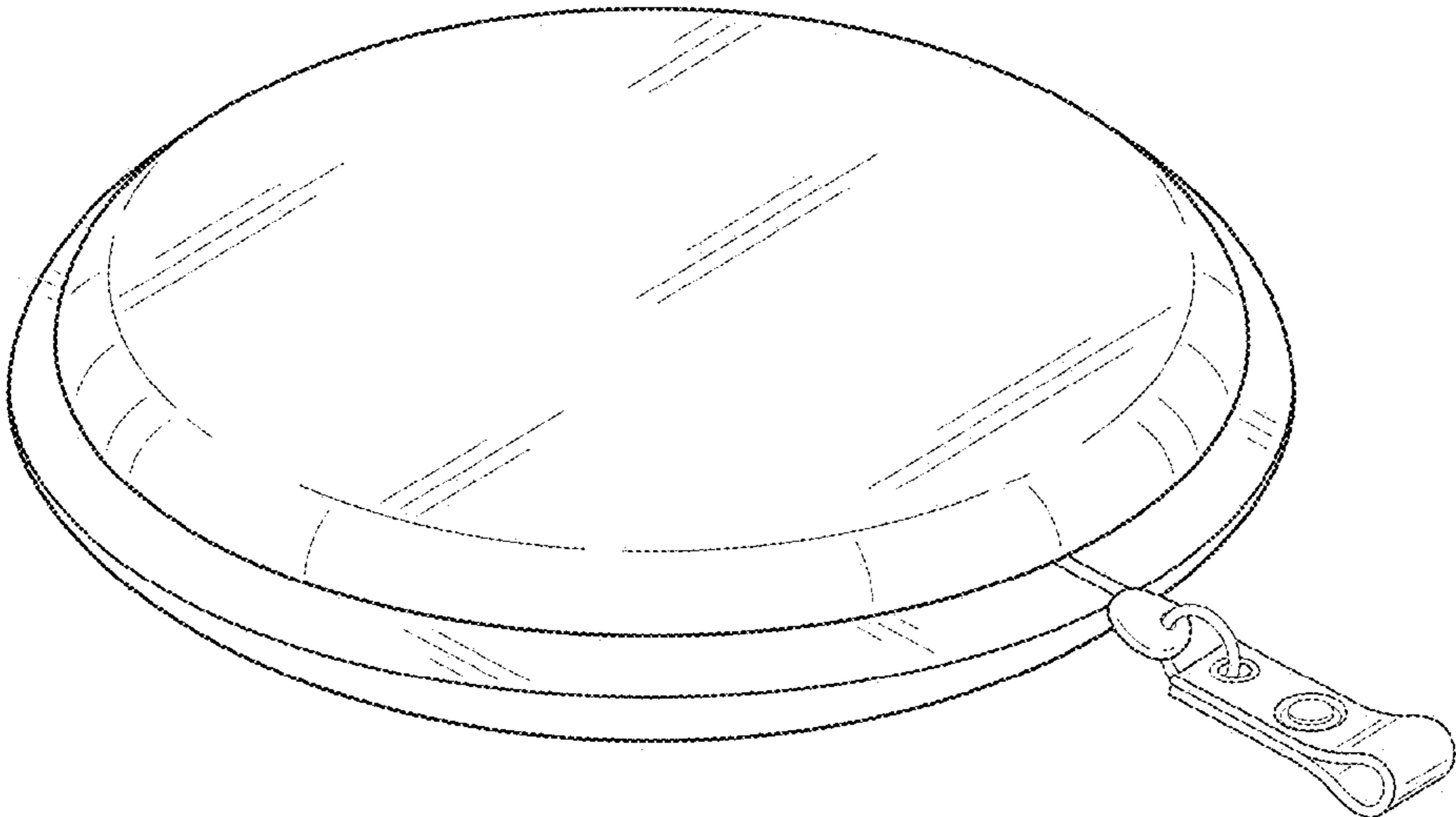


FIG. 2

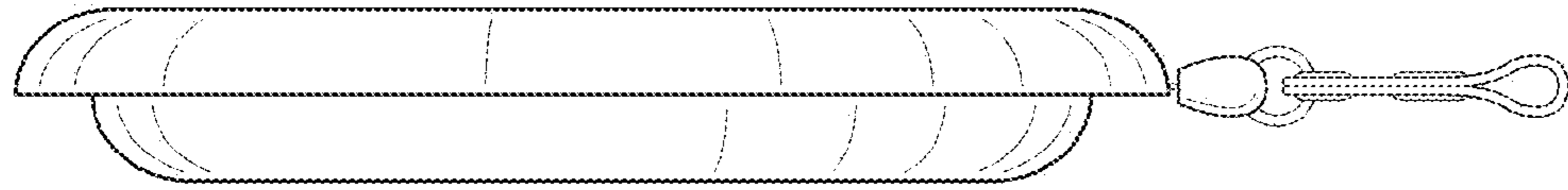


FIG. 3

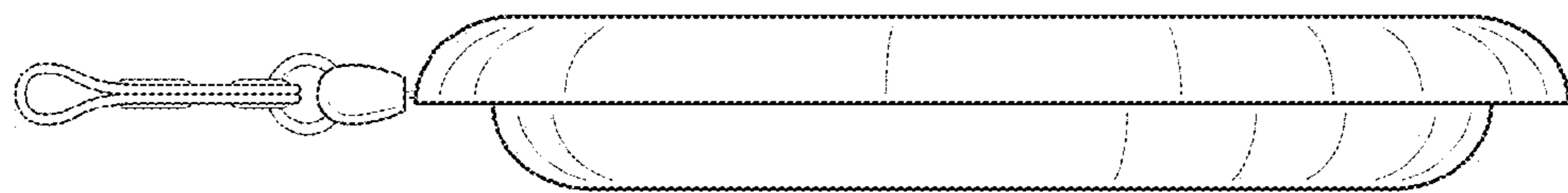


FIG. 4

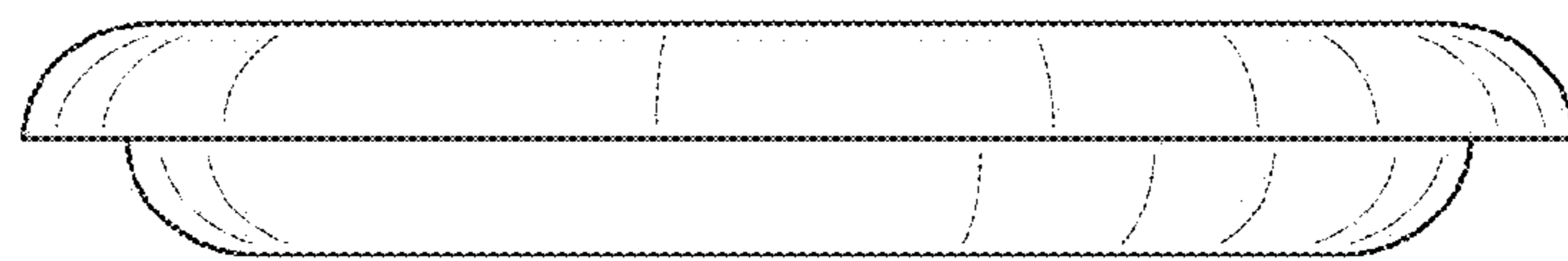


FIG. 5

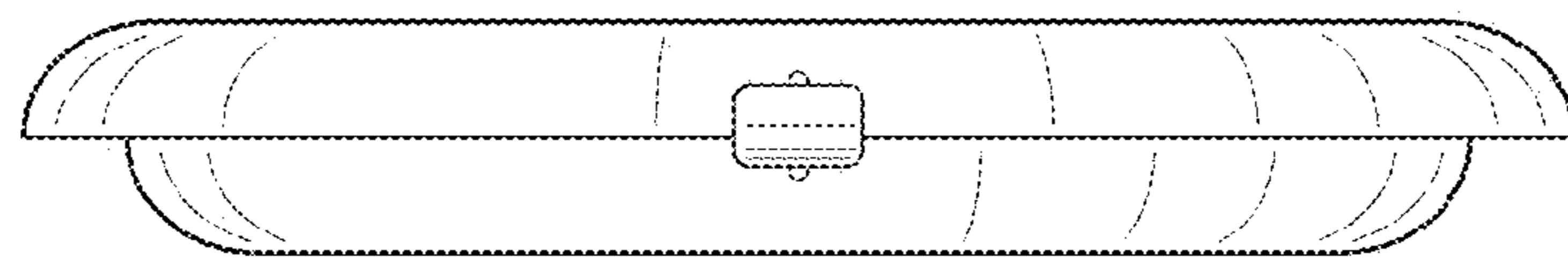


FIG. 6

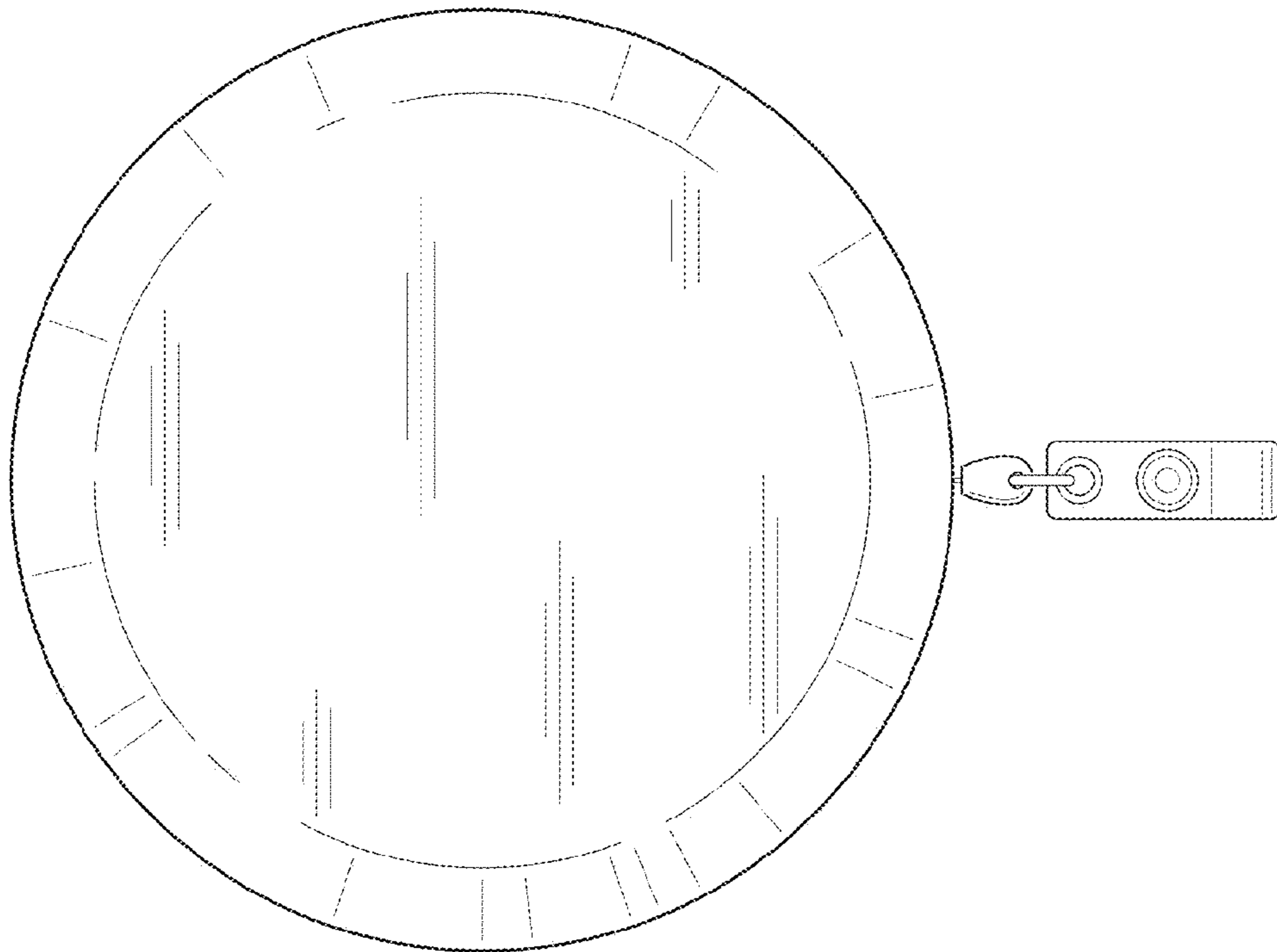


FIG. 7

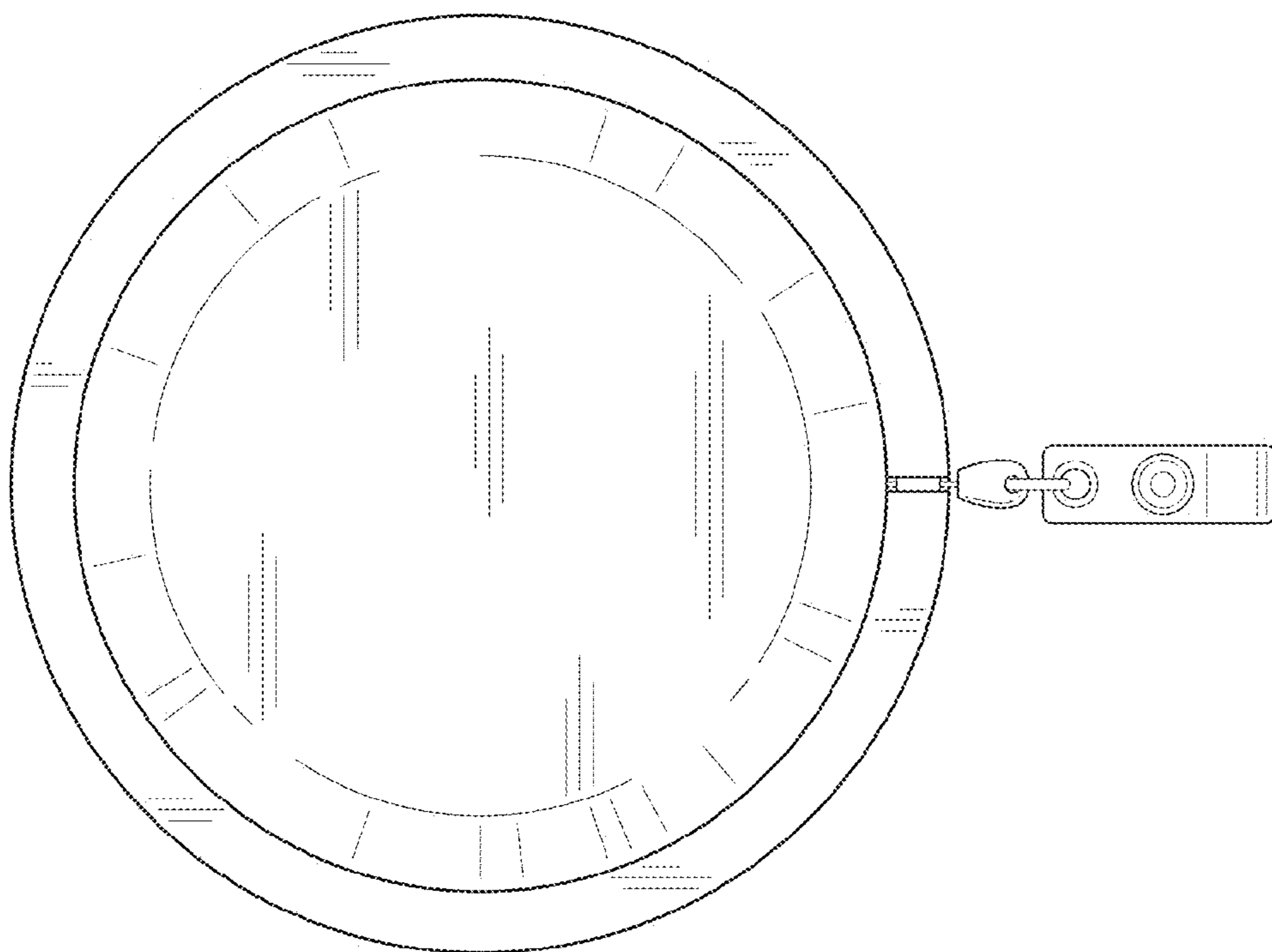


FIG. 8

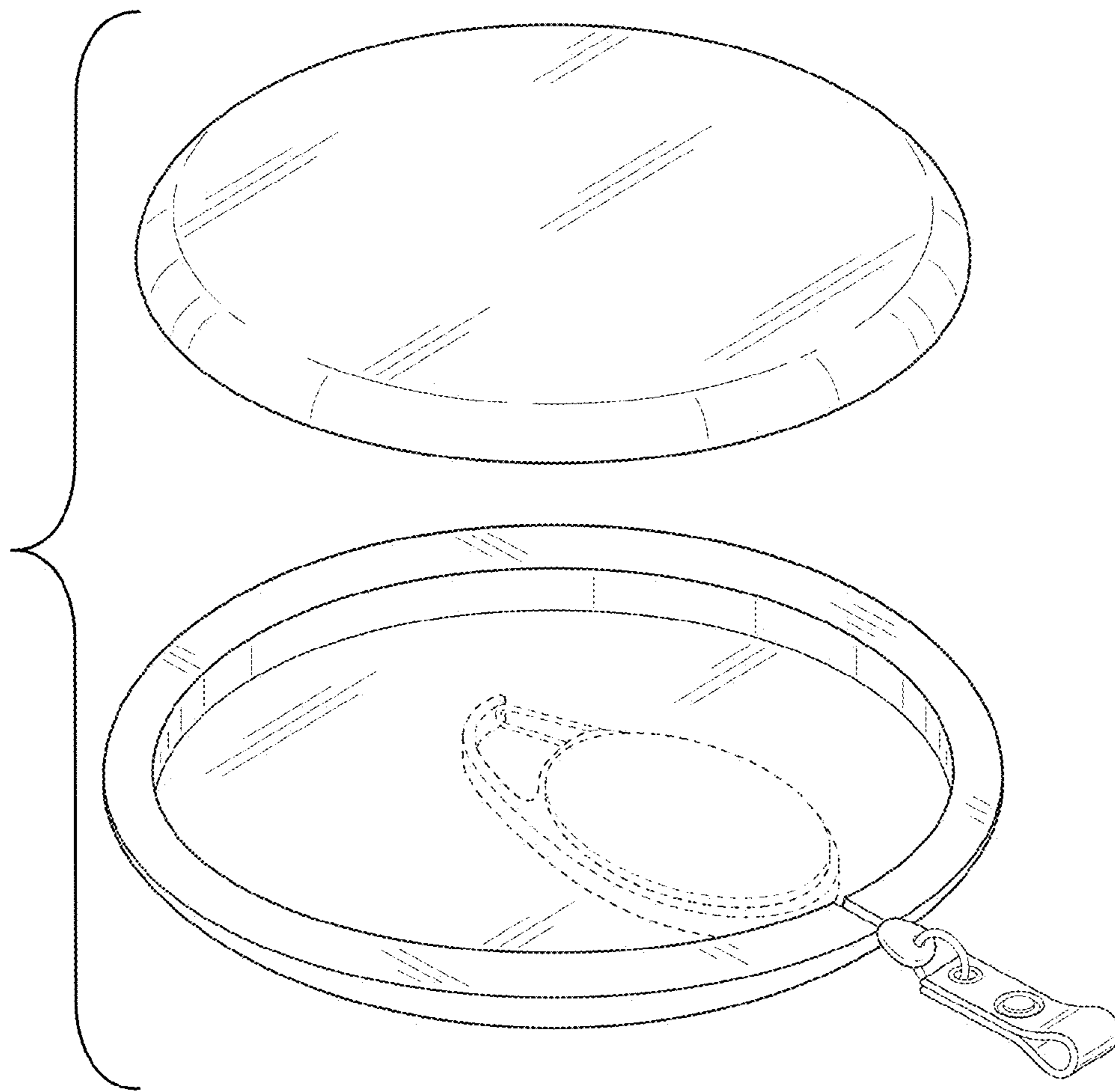


FIG. 9