



US00D701277S

(12) **United States Design Patent**
Lee

(10) **Patent No.:** **US D701,277 S**
(45) **Date of Patent:** **** Mar. 18, 2014**

(54) **GOLF CLUB HEAD**
(71) Applicant: **Michael Lee**, Chino Hills, CA (US)
(72) Inventor: **Michael Lee**, Chino Hills, CA (US)
(**) Term: **14 Years**
(21) Appl. No.: **29/443,919**
(22) Filed: **Jan. 24, 2013**
(51) **LOC (10) Cl.** **21-02**
(52) **U.S. Cl.**
USPC **D21/759**
(58) **Field of Classification Search**
USPC D21/733, 752, 759; 473/324–331,
473/343–346
See application file for complete search history.

D573,217 S * 7/2008 Sanchez et al. D21/759
D573,218 S * 7/2008 Sanchez et al. D21/759
D665,472 S * 8/2012 McDonnell et al. D21/759
D684,230 S * 6/2013 Roberts et al. D21/752

* cited by examiner

Primary Examiner — Mitchell Siegel
(74) *Attorney, Agent, or Firm* — Fay Sharpe LLP

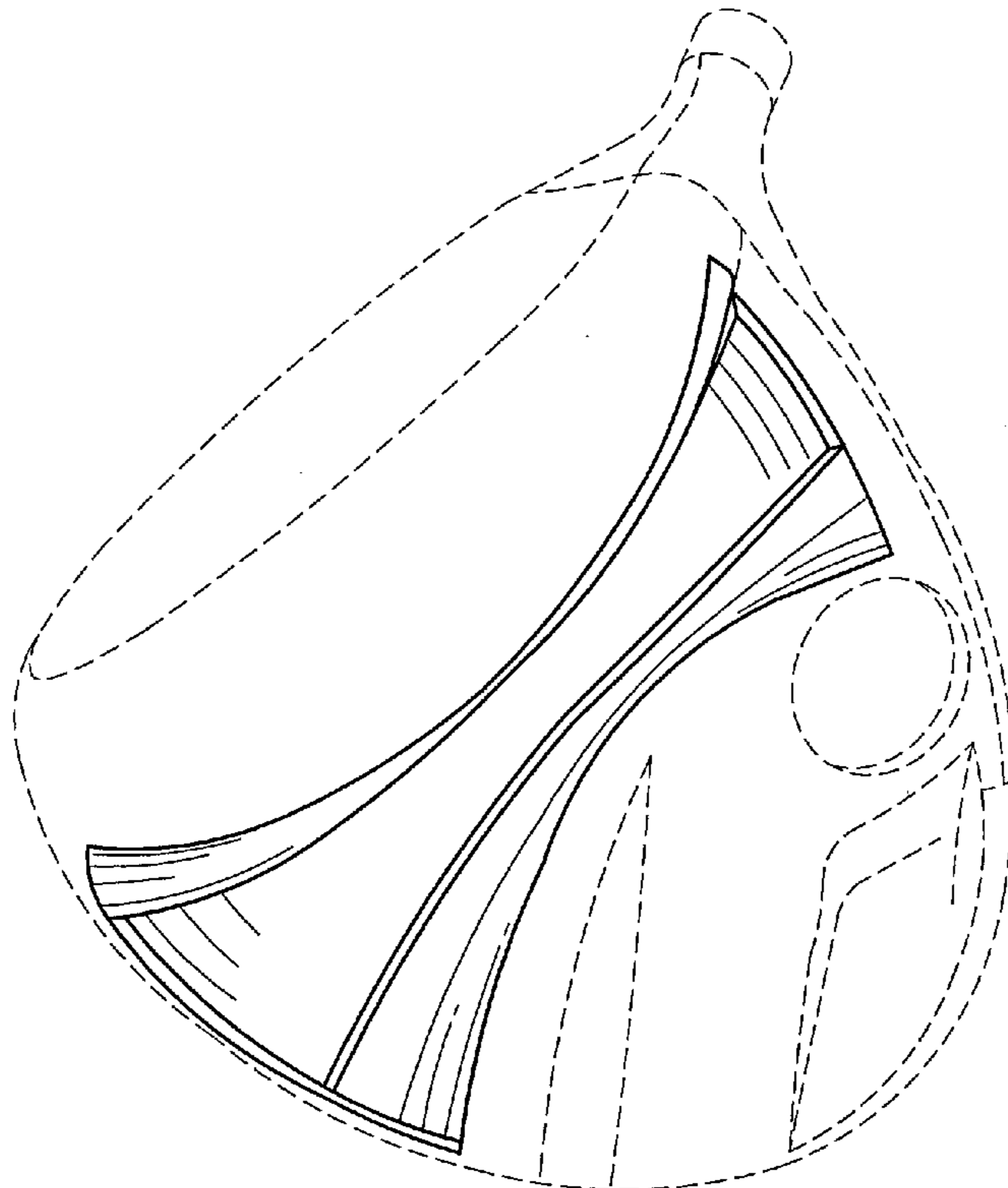
(57) **CLAIM**
The ornamental design for a golf club head, as shown and described.

DESCRIPTION

FIG. 1 is a bottom perspective view;
FIG. 2 is a front plan view;
FIG. 3 is a heel plan view;
FIG. 4 is a toe plan view;
FIG. 5 is a rear plan view;
FIG. 6 is a top plan view; and,
FIG. 7 is a bottom plan view.
The broken line showing is included for the purpose of illustrating and forms no part of the claimed design.

(56) **References Cited**
U.S. PATENT DOCUMENTS
D508,969 S * 8/2005 Hasebe D21/752
D520,585 S * 5/2006 Hasebe D21/752
D572,787 S * 7/2008 Sanchez et al. D21/759

1 Claim, 4 Drawing Sheets



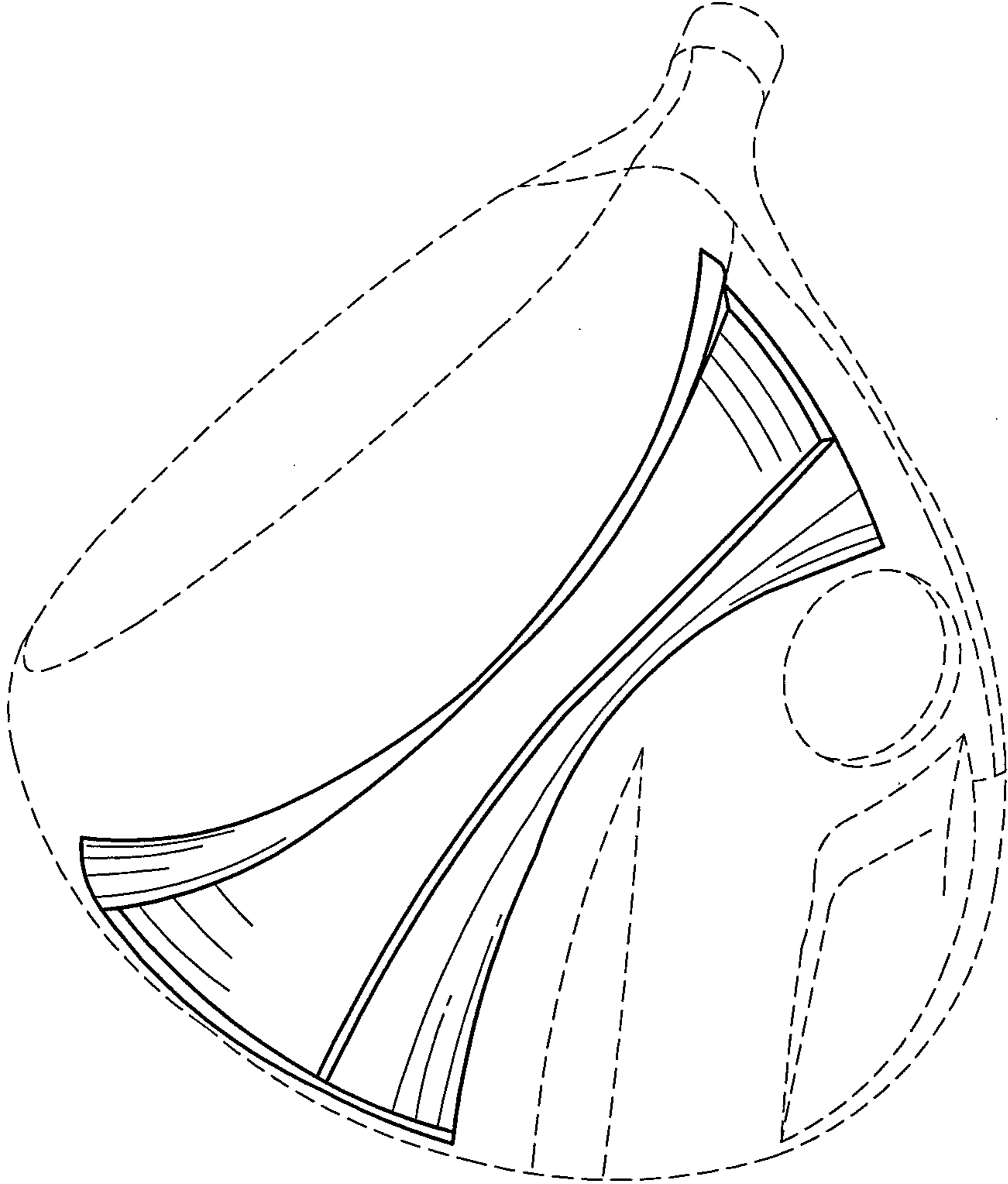


FIG. 1

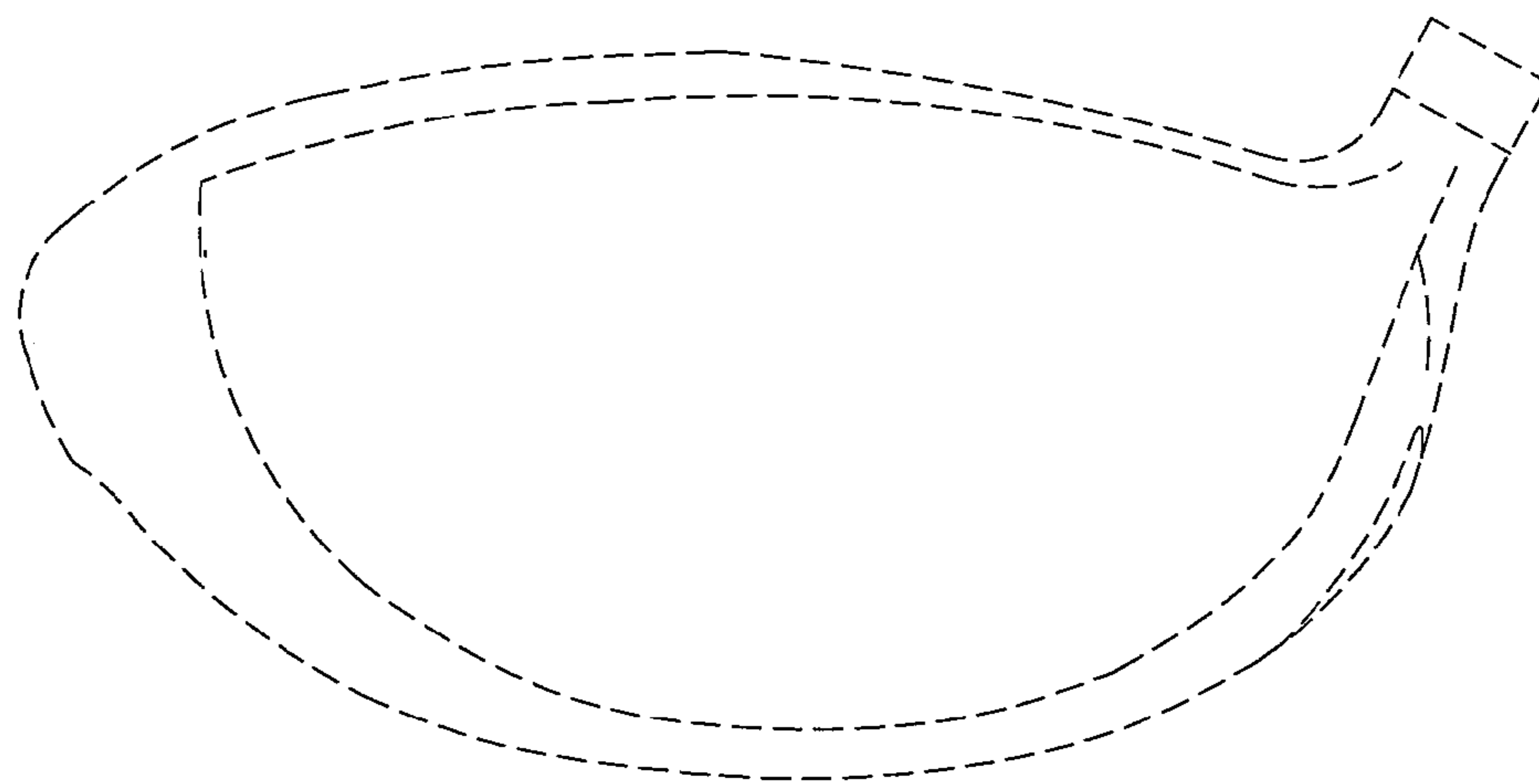


FIG. 2

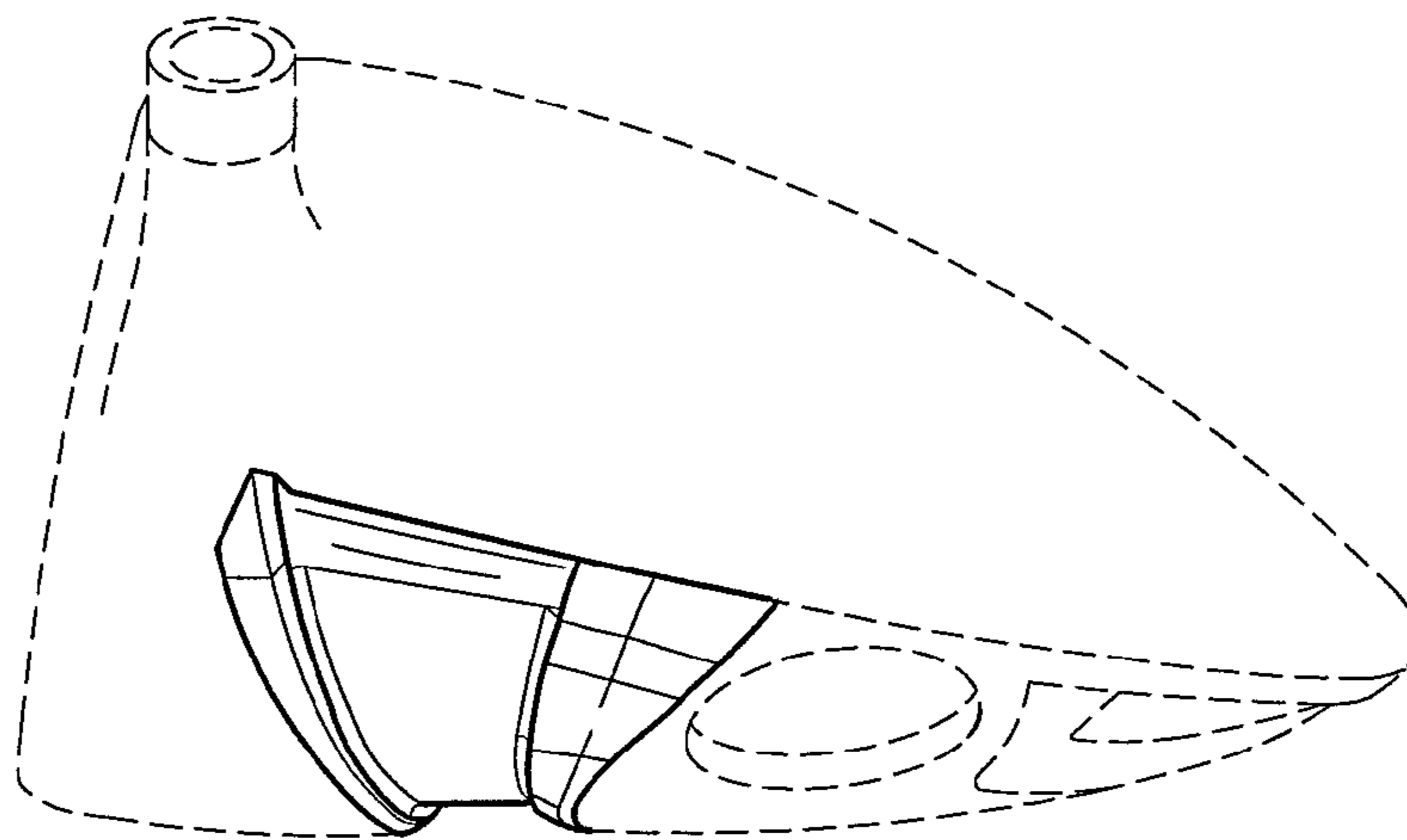


FIG. 3

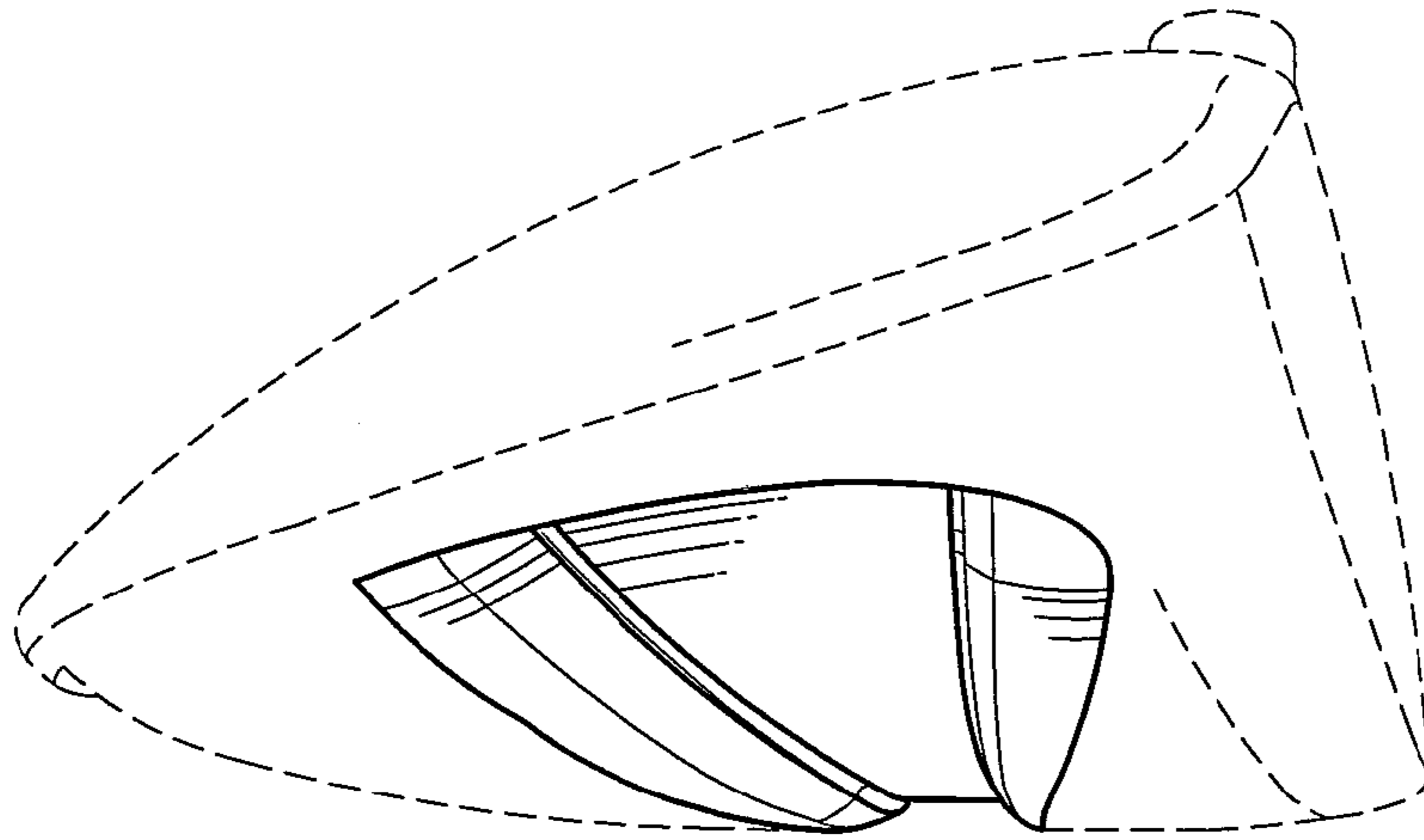


FIG. 4

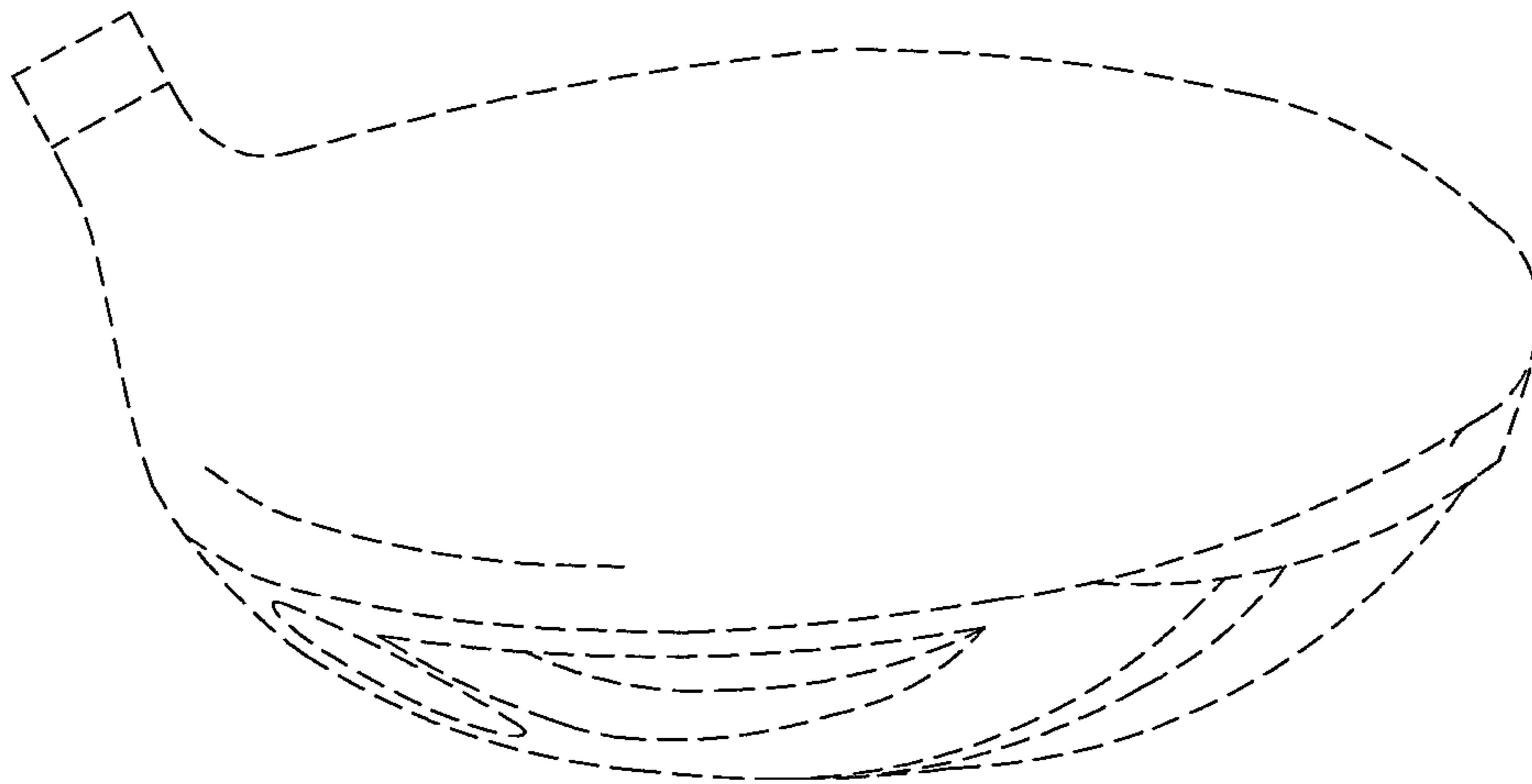


FIG. 5

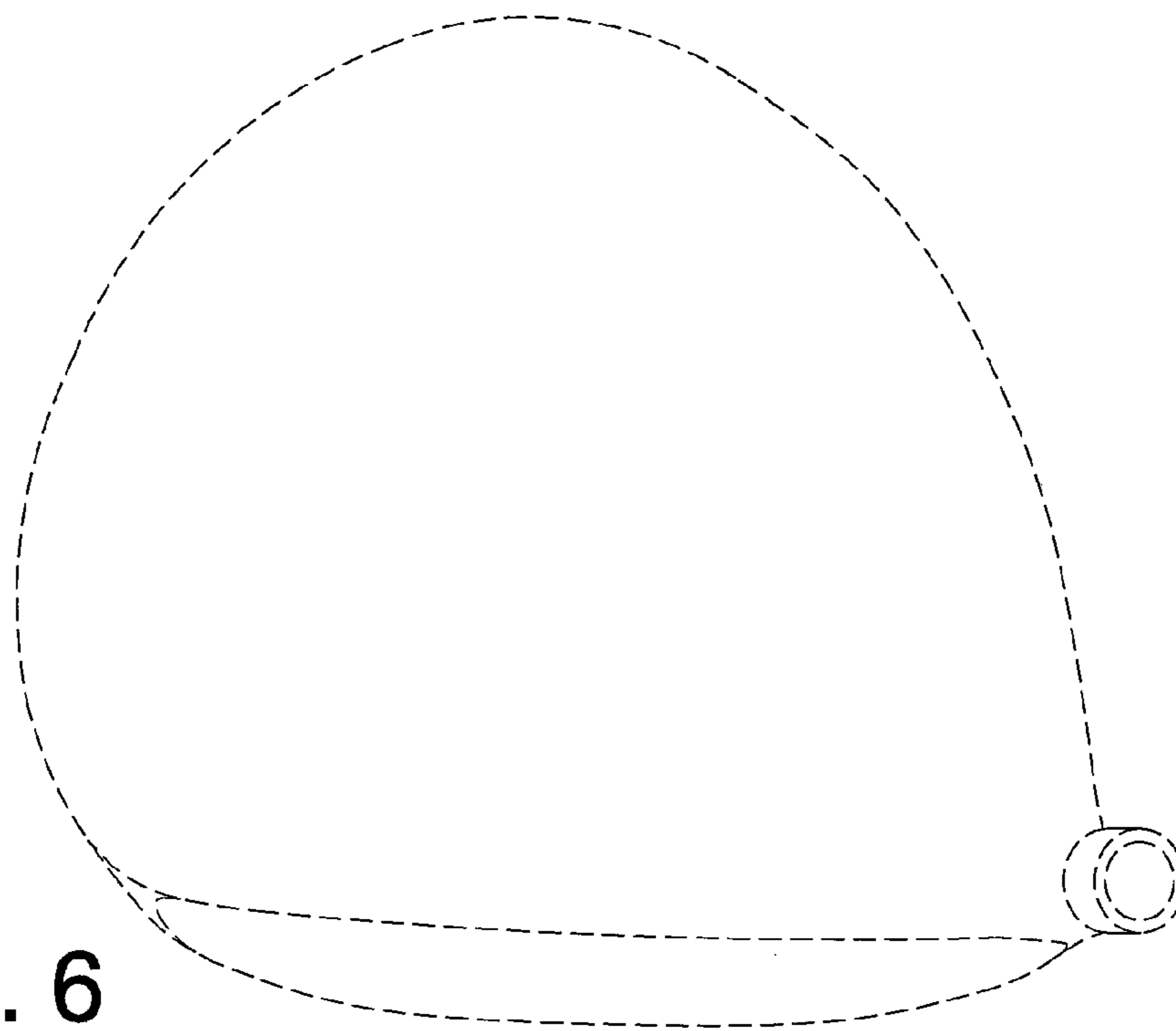


FIG. 6

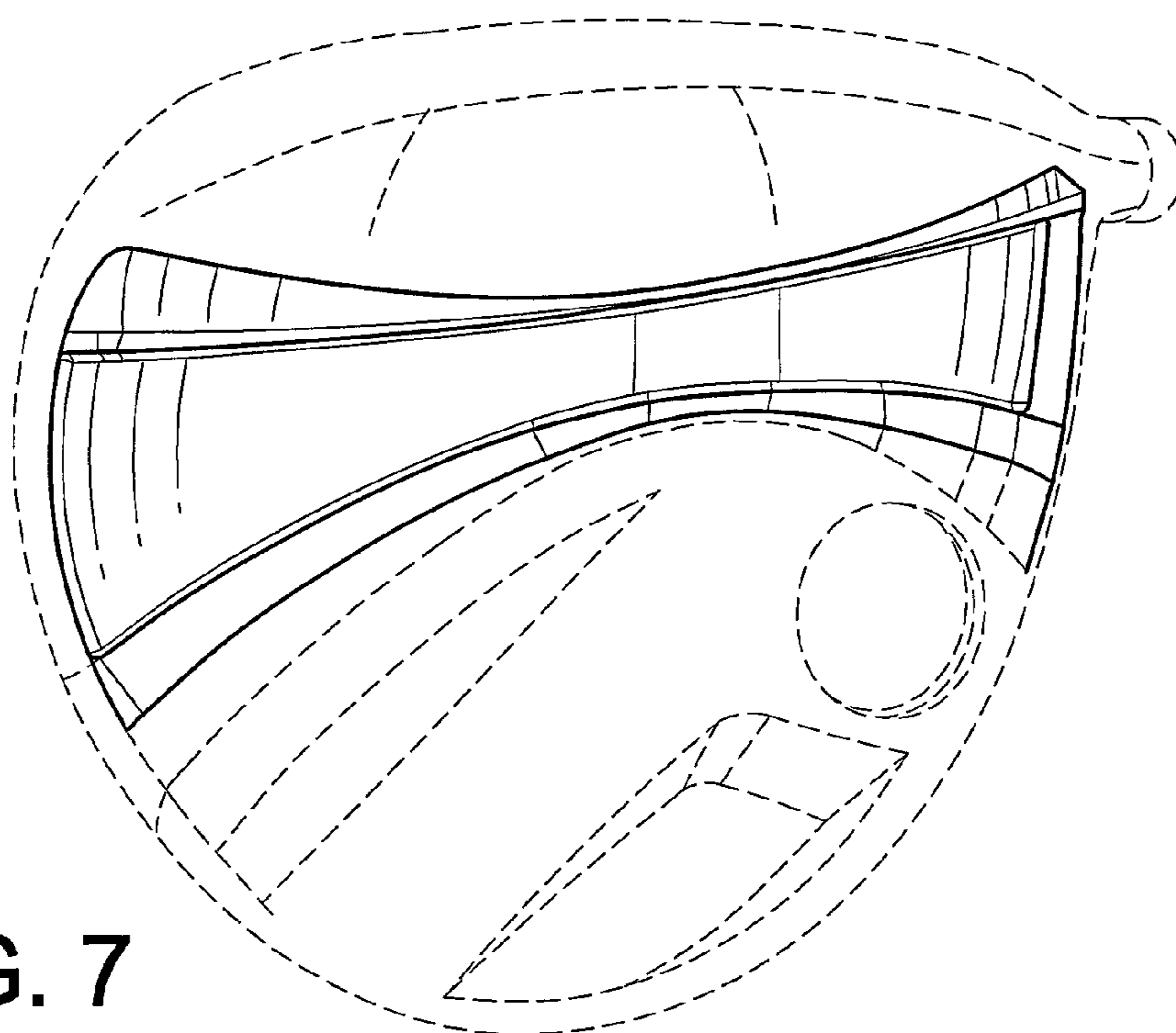


FIG. 7